



US00D705412S

(12) **United States Design Patent**
Dworatzek et al.

(10) **Patent No.:** **US D705,412 S**
(45) **Date of Patent:** **** May 20, 2014**

(54) **AIR FILTER**

(75) Inventors: **Klemens Dworatzek**, Ludwigsburg (DE); **Ralf Bauder**, Ludwigsburg (DE); **Steffen Ackermann**, Ludwigsburg (DE)

(73) Assignee: **Mann+Hummel GmbH**, Ludwigsburg (DE)

(**) Term: **14 Years**

(21) Appl. No.: **29/429,278**

(22) Filed: **Aug. 8, 2012**

(30) **Foreign Application Priority Data**

Feb. 8, 2012 (CN) 2012 3 0024223

(51) **LOC (10) Cl.** **23-04**

(52) **U.S. Cl.**
USPC **D23/365**

(58) **Field of Classification Search**
USPC D23/365, 209, 363, 358, 386, 354, 341, D23/364, 303; 55/385.3, 502, 497, 506, 55/505, 521, 495, 422, 493, DIG. 30; 210/435, 130, 136, 248, 339, 448, 452, 210/497.1; D32/31; D15/5

See application file for complete search history.

(56) **References Cited**

U.S. PATENT DOCUMENTS

D498,512 S * 11/2004 Warren et al. D23/209
D501,533 S * 2/2005 Robinson et al. D23/209

D520,619 S * 5/2006 Kuempel et al. D23/364
D529,128 S * 9/2006 Lee D23/209
D541,372 S * 4/2007 Warren et al. D23/209
D554,249 S * 10/2007 Holmgren D23/386
D577,414 S * 9/2008 Evanovich D23/209
D591,825 S * 5/2009 Quintel D23/209
D599,432 S * 9/2009 Buesseler et al. D23/209
D644,297 S * 8/2011 Chen D23/209
D652,904 S * 1/2012 Sisk D23/365
D662,568 S * 6/2012 Zeng D23/209
D667,926 S * 9/2012 Farley D23/209

* cited by examiner

Primary Examiner — David Muller

(74) *Attorney, Agent, or Firm* — James Hasselbeck

(57) **CLAIM**

We claim the ornamental design for an air filter, as shown and described.

DESCRIPTION

FIG. 1 is a perspective view of an air filter showing our new design;

FIG. 2 is a front elevational view thereof;

FIG. 3 is a rear elevational view thereof;

FIG. 4 is a left side elevational view thereof;

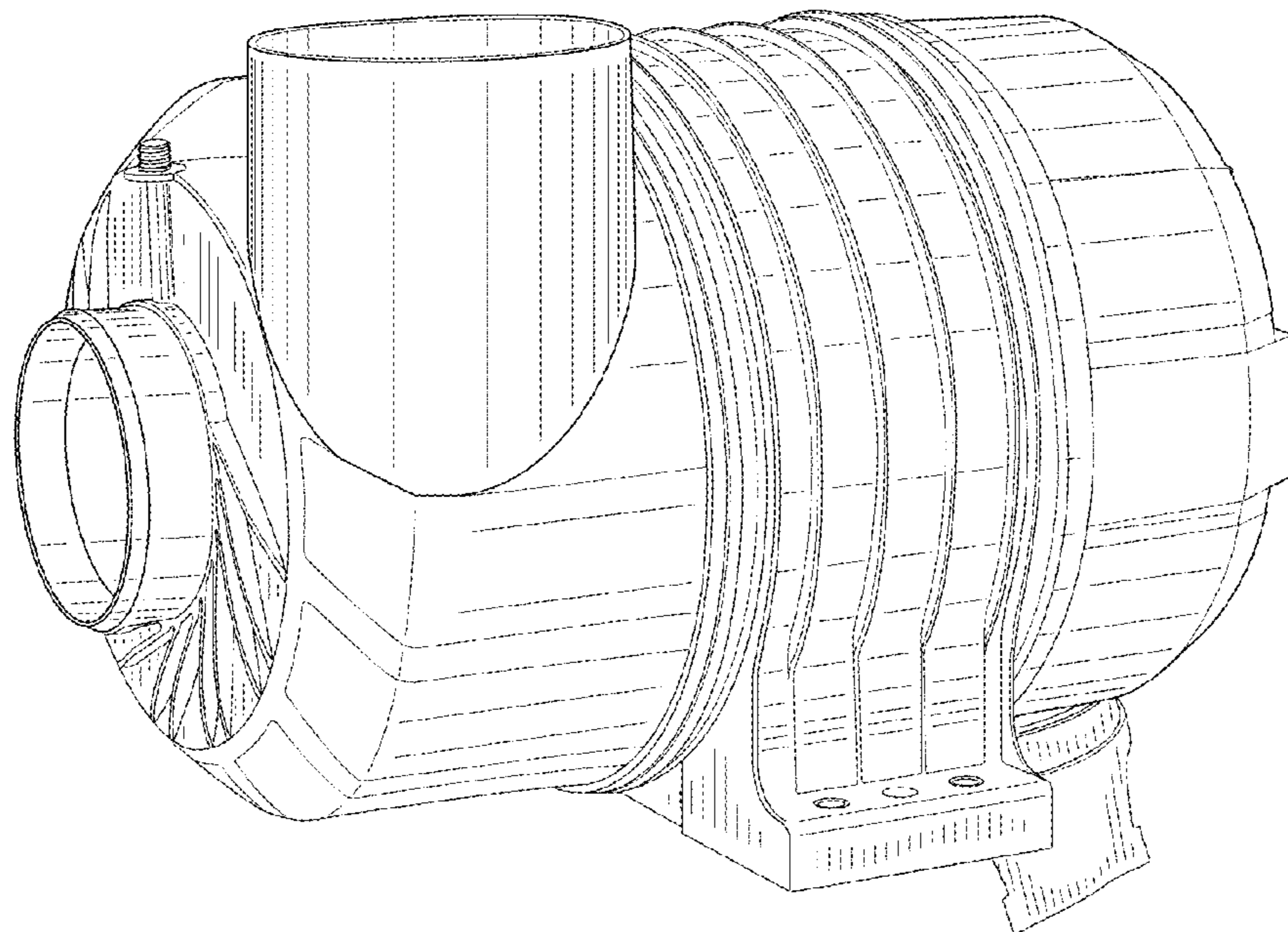
FIG. 5 is a right side elevational view thereof;

FIG. 6 is a top plan view thereof; and,

FIG. 7 is a bottom plan view thereof.

The dash dot line immediately adjacent to the claimed area in FIG. 6 represents the boundaries of the claimed design. The dashed lines in the figures illustrate the portions of the design that form no part of the claimed design. None of the broken lines form any part of the claimed design.

1 Claim, 4 Drawing Sheets



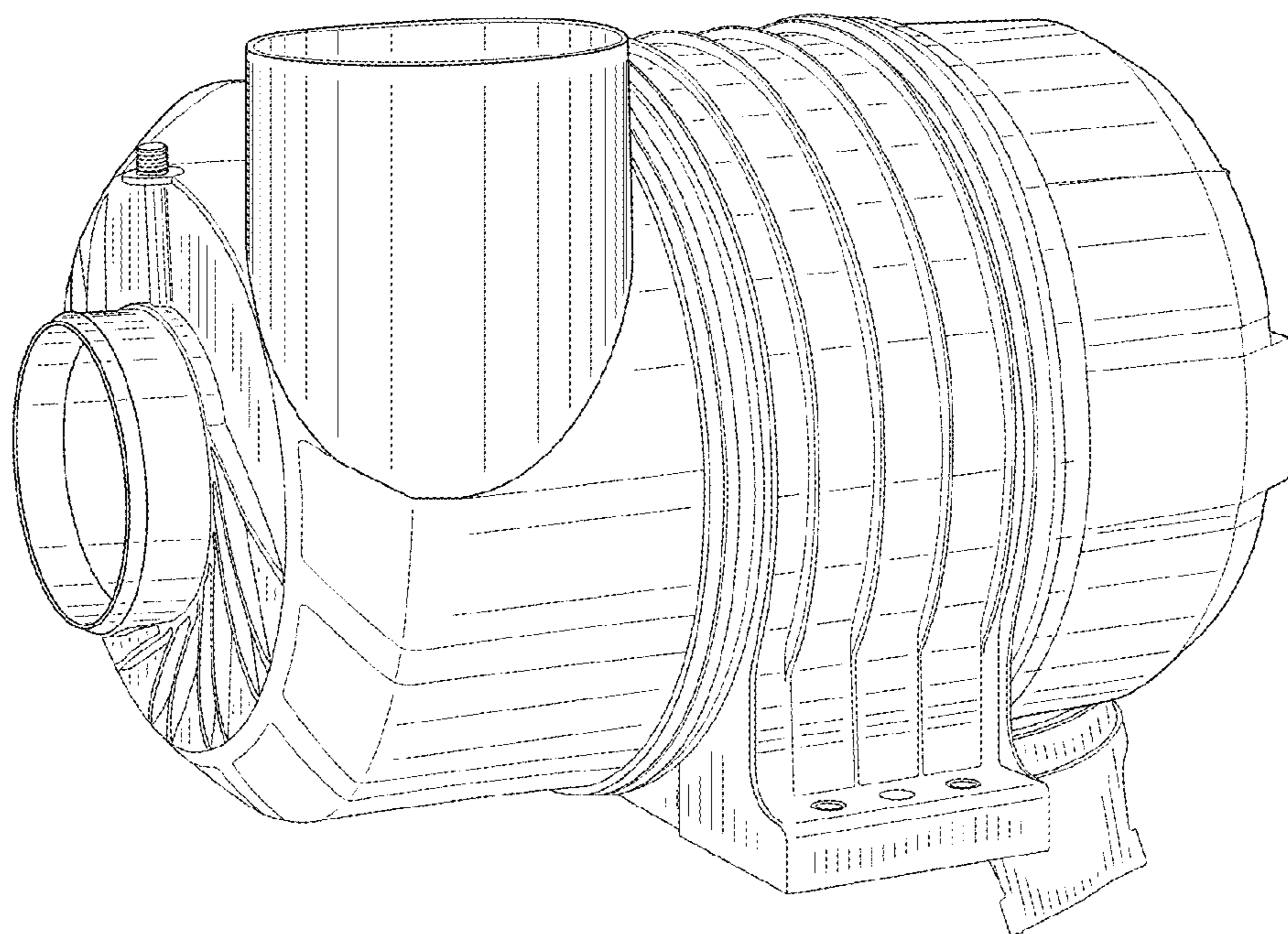


FIG. 1

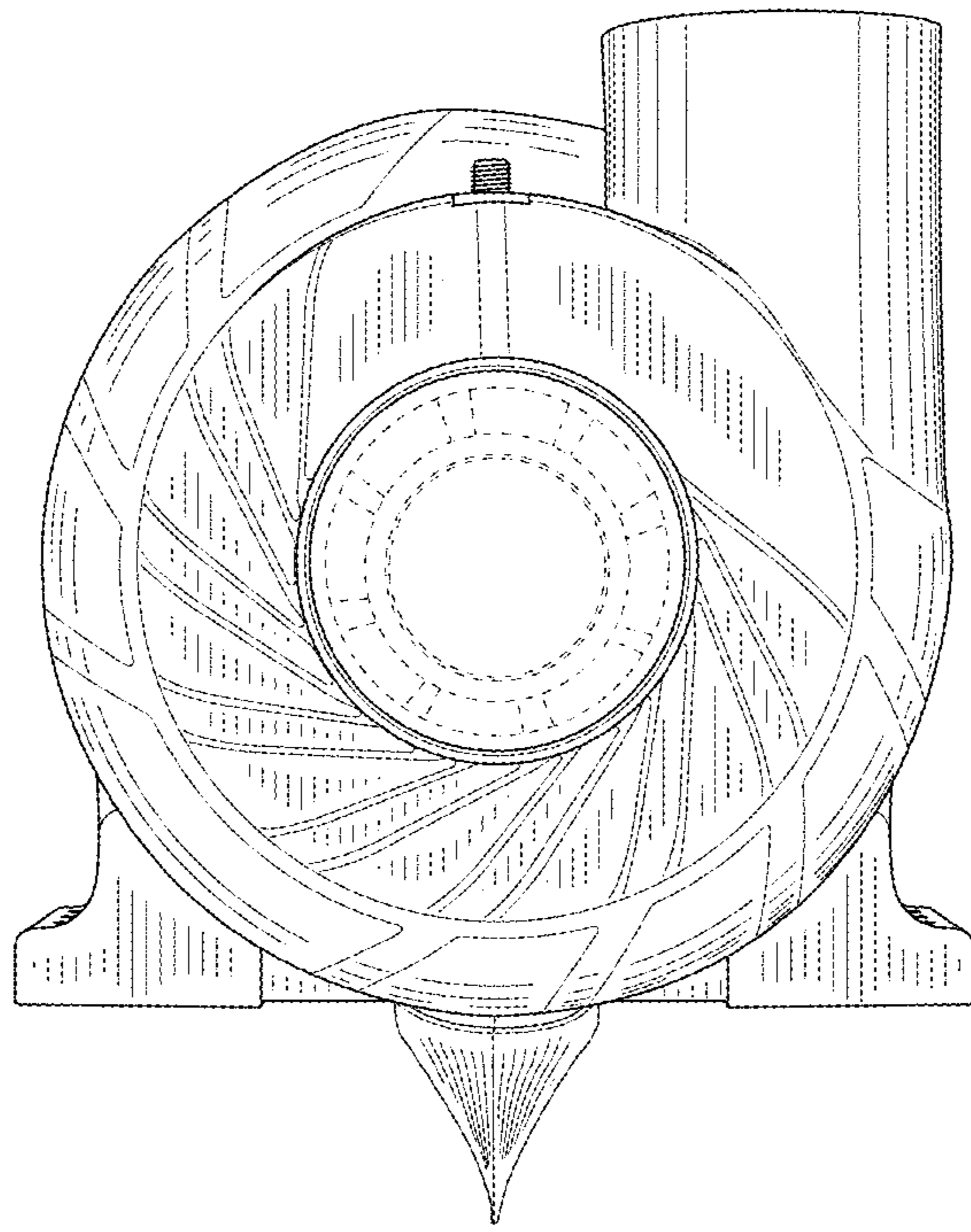


FIG. 2

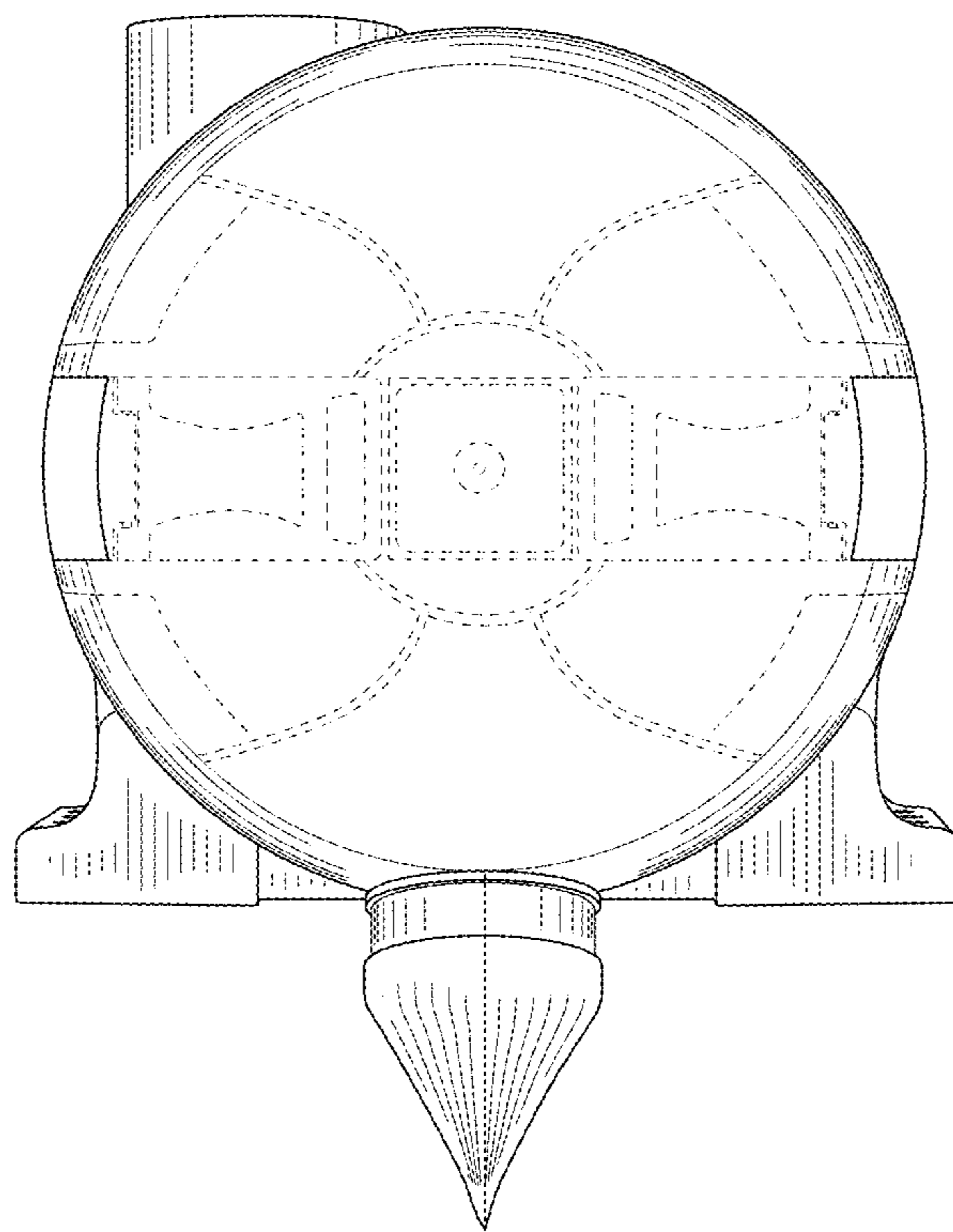


FIG. 3

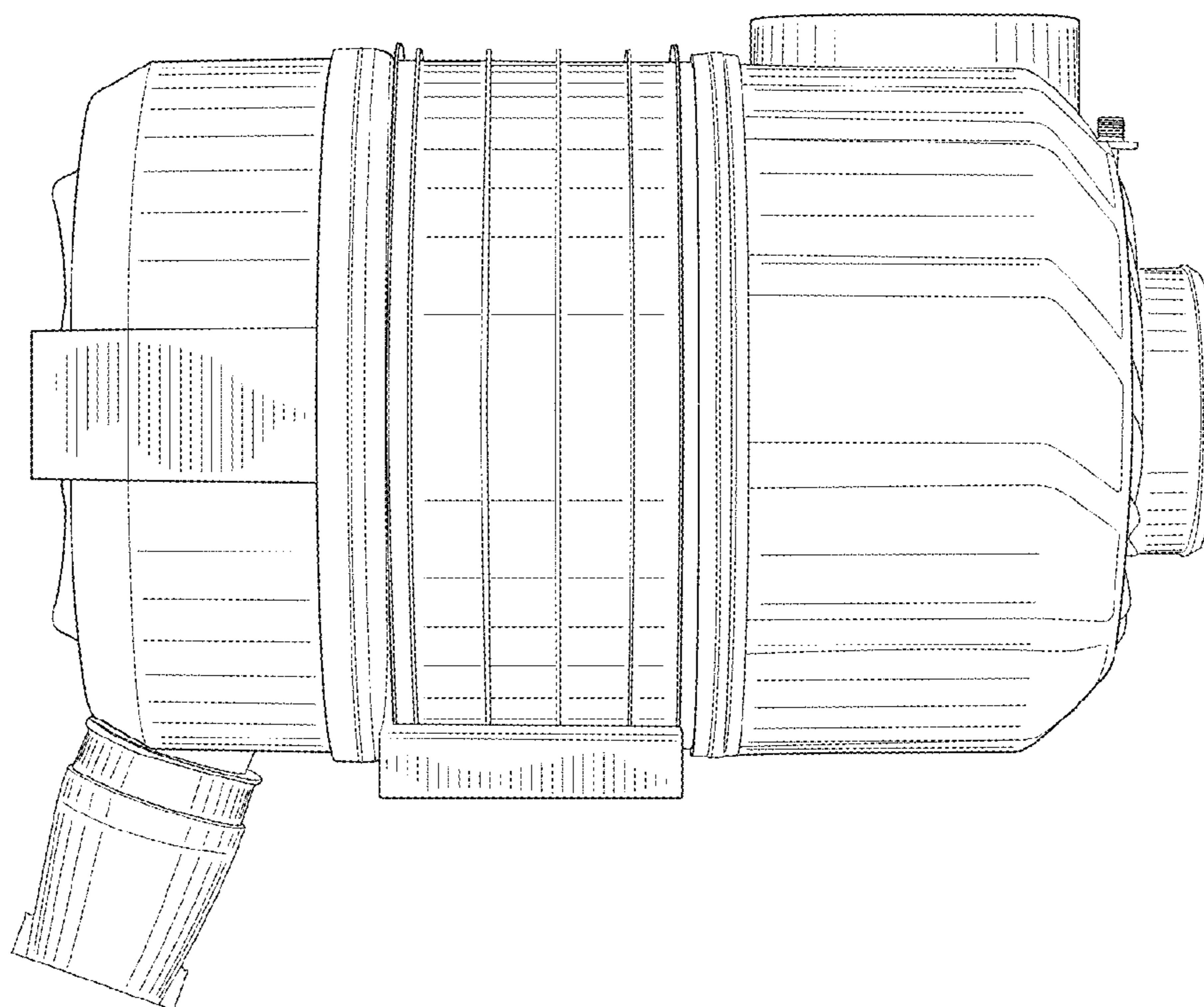


FIG. 4

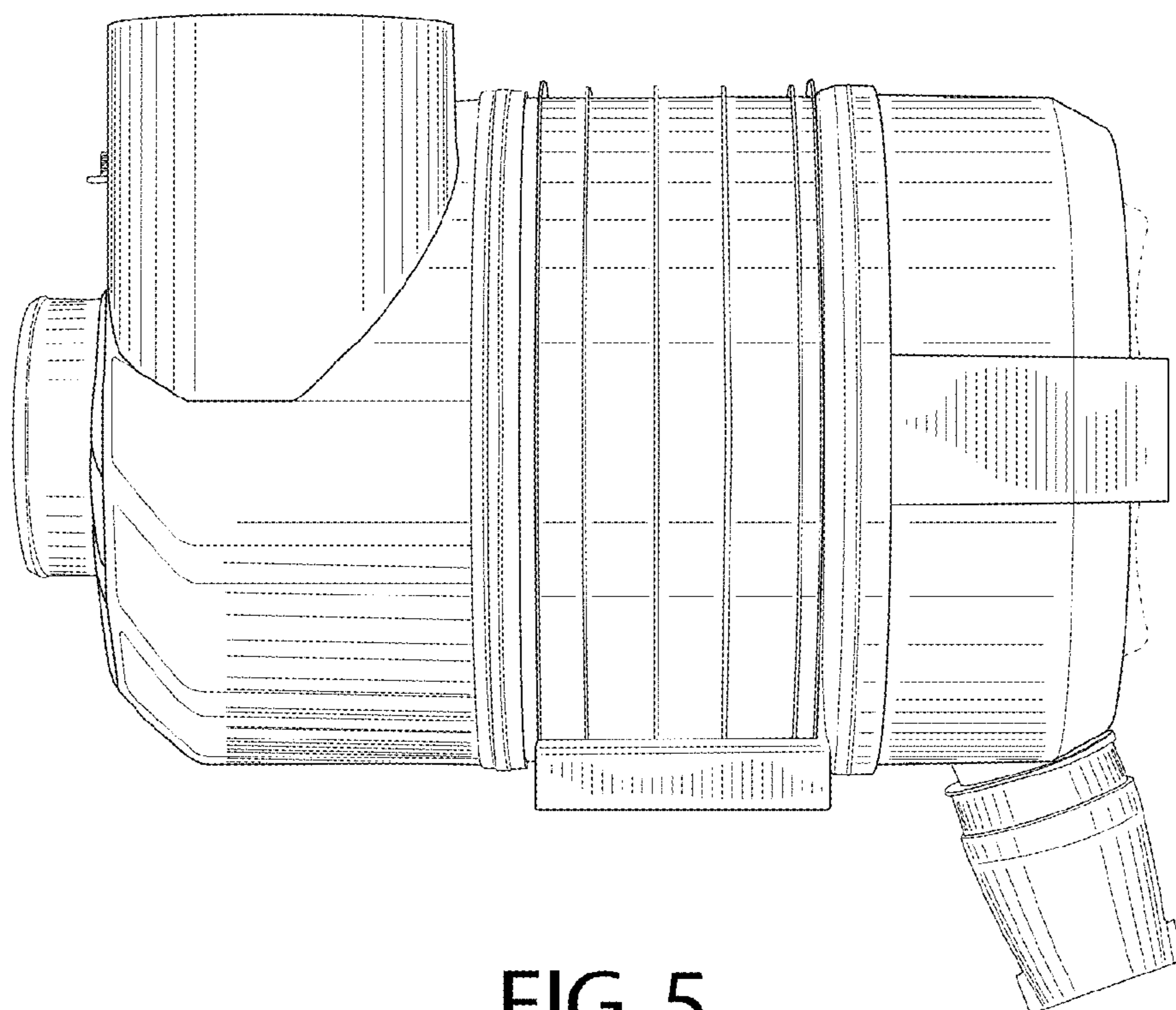


FIG. 5

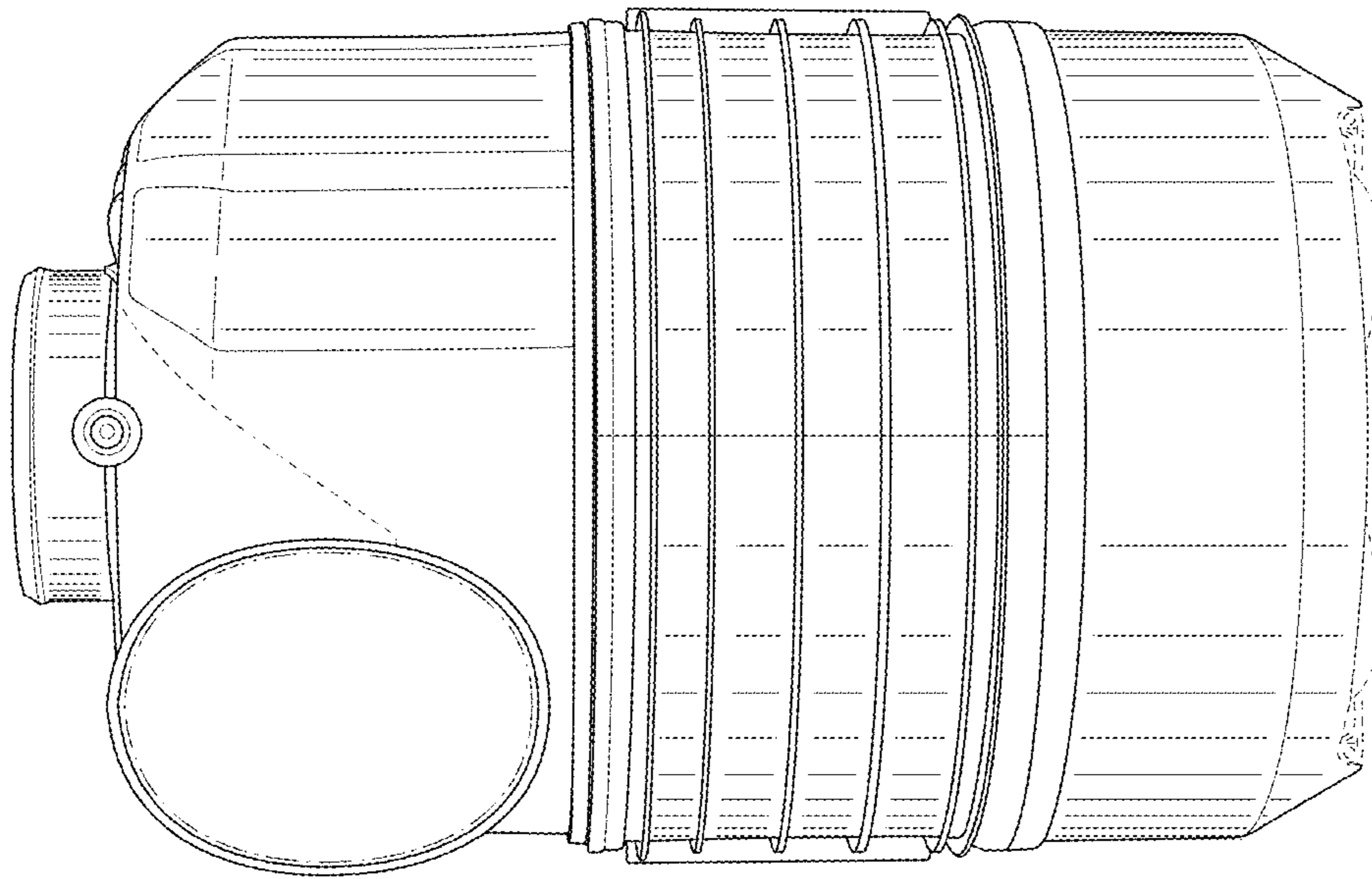


FIG. 6

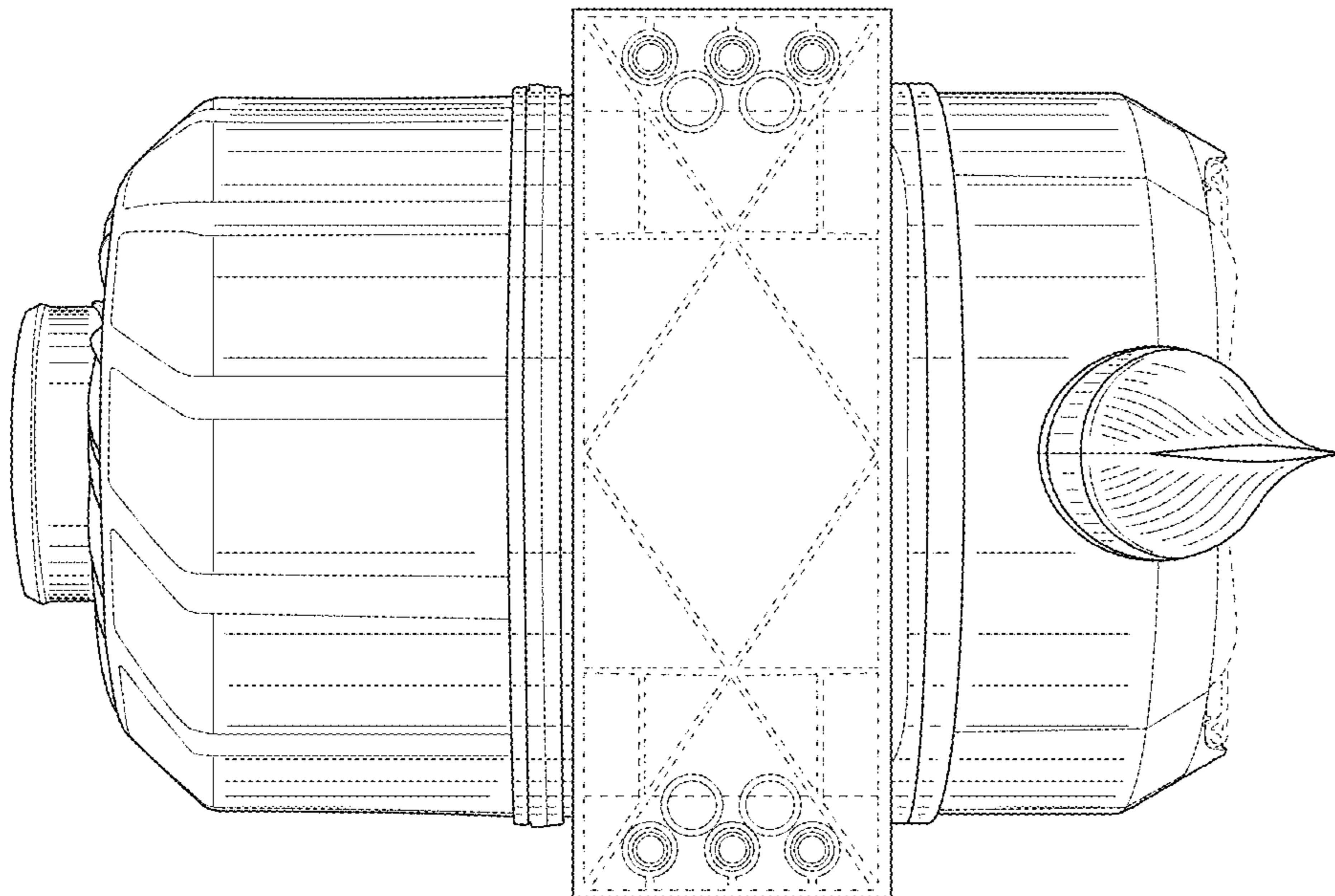


FIG. 7