



US00D705409S

(12) **United States Design Patent**  
**Hagiwara**

(10) **Patent No.:** **US D705,409 S**

(45) **Date of Patent:** **\*\* May 20, 2014**

(54) **AIR CONDITIONER**

FOREIGN PATENT DOCUMENTS

(71) Applicant: **Mitsubishi Electric Corporation,**  
Tokyo (JP)

JP 01370643 S 3/2009  
JP 1384606 S 10/2009

(72) Inventor: **Masami Hagiwara,** Chiyoda-Ku (JP)

\* cited by examiner

(73) Assignee: **Mitsubishi Electric Corporation,**  
Tokyo (JP)

*Primary Examiner* — Brian N Vinson

(74) *Attorney, Agent, or Firm* — Sughrue Mion, PLLC

(\*\*) Term: **14 Years**

(57) **CLAIM**

The ornamental design for an air conditioner, as shown and described.

(21) Appl. No.: **29/471,901**

(22) Filed: **Nov. 6, 2013**

**DESCRIPTION**

(30) **Foreign Application Priority Data**

May 29, 2013 (JP) ..... 2013-011756

(51) **LOC (10) Cl.** ..... **23-04**

(52) **U.S. Cl.**  
USPC ..... **D23/351**

(58) **Field of Classification Search**  
USPC ..... D23/351-354, 385, 388; 312/236;  
62/259.1, 259.4, 262-263, 304;  
454/330-331, 349-350  
See application file for complete search history.

FIG. 1 is a front, left side and bottom perspective view of an air conditioner, showing my new design;  
FIG. 2 is a bottom plan view thereof;  
FIG. 3 is a top plan view thereof;  
FIG. 4 is a side elevational view thereof;  
FIG. 5 is an additional side elevational view thereof;  
FIG. 6 is an additional side elevational view thereof;  
FIG. 7 is an additional side elevational view thereof;  
FIG. 8 is an enlarged vertical cross-sectional view thereof; taken along line 8-8 of FIG. 2;  
FIG. 9 is an additional vertical cross-sectional view thereof; taken along line 9-9 of FIG. 2;  
FIG. 10 is an enlarged partial perspective view thereof; taken along line 10-10 of FIG. 1;  
FIG. 11 is a reduced bottom perspective view thereof; and,  
FIG. 13 is an additional side elevational view thereof.

The broken-line disclosure in the views is understood to represent either unclaimed portions of the article embodied in the claimed design or unclaimed environment showing the disposition of the article when in use.

(56) **References Cited**

**U.S. PATENT DOCUMENTS**

|            |   |         |                  |       |         |
|------------|---|---------|------------------|-------|---------|
| D539,404 S | * | 3/2007  | Nagahori         | ..... | D23/351 |
| D539,888 S | * | 4/2007  | Tsuji            | ..... | D23/351 |
| D553,727 S | * | 10/2007 | Kato et al.      | ..... | D23/351 |
| D579,094 S | * | 10/2008 | Motonishi et al. | ..... | D23/351 |
| D606,641 S | * | 12/2009 | Kim et al.       | ..... | D23/351 |
| D616,082 S | * | 5/2010  | Tsuji            | ..... | D23/351 |
| D621,491 S | * | 8/2010  | Tsuji            | ..... | D23/351 |
| D683,837 S | * | 6/2013  | Kim et al.       | ..... | D23/351 |

**1 Claim, 12 Drawing Sheets**

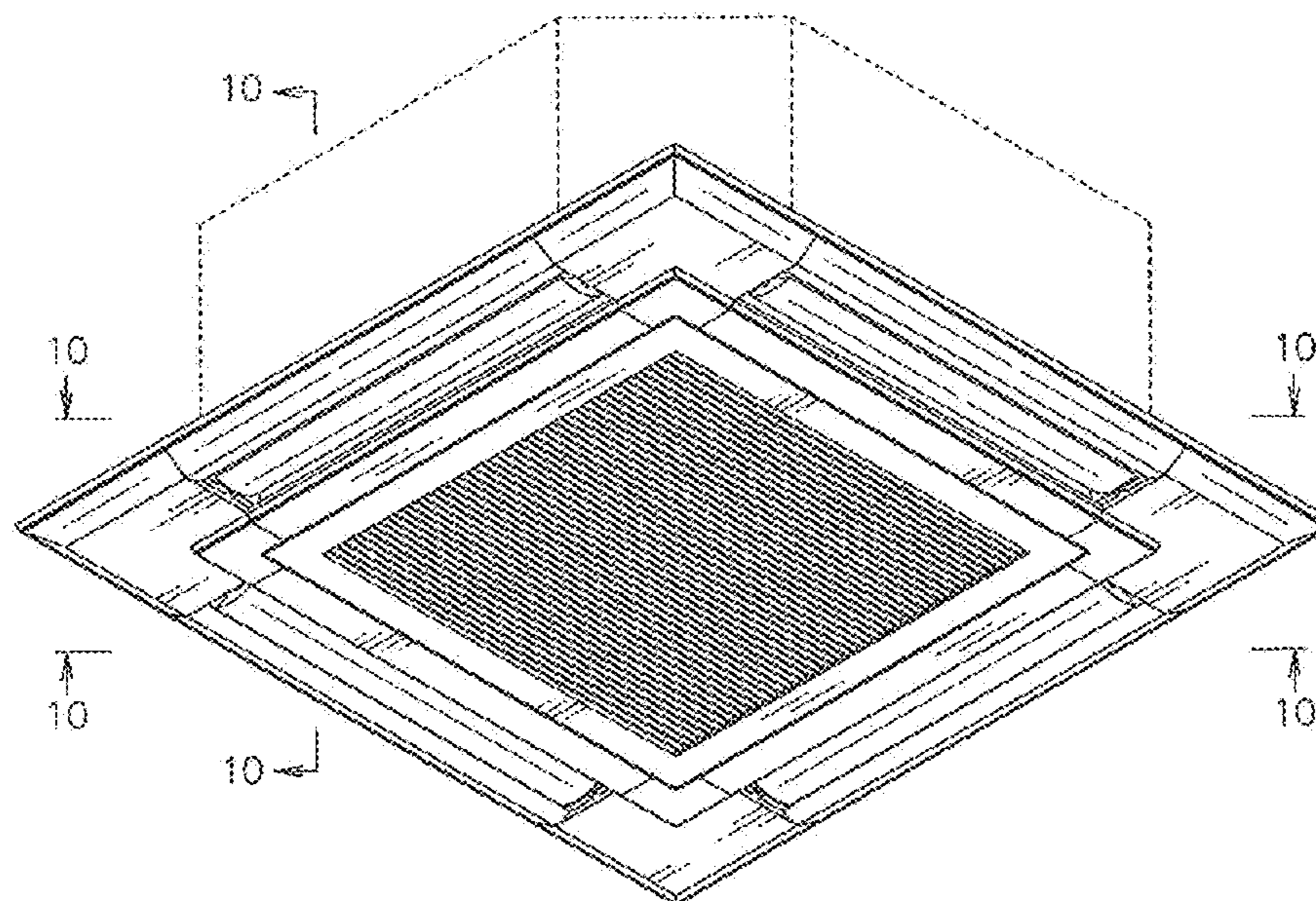


Fig. 1

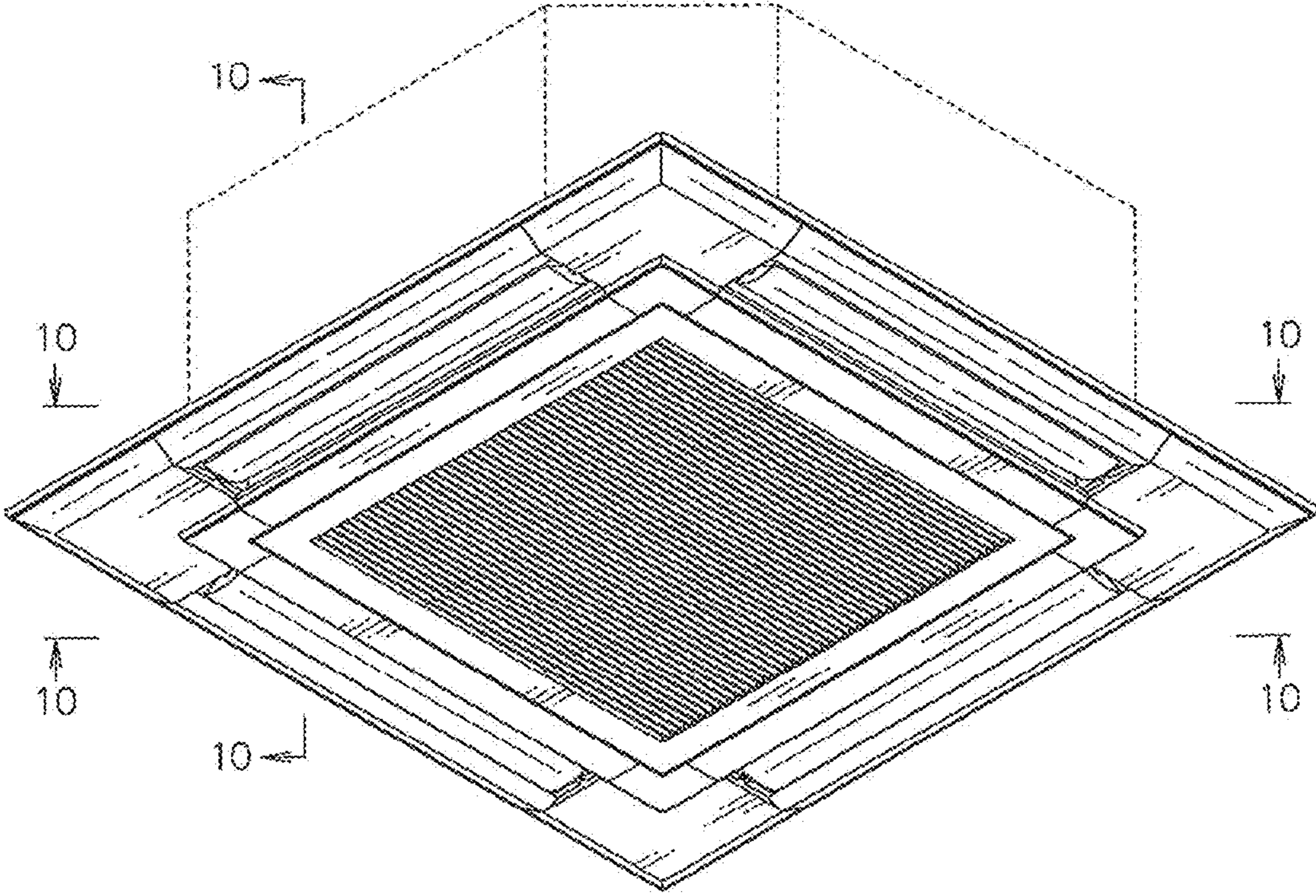


Fig. 2

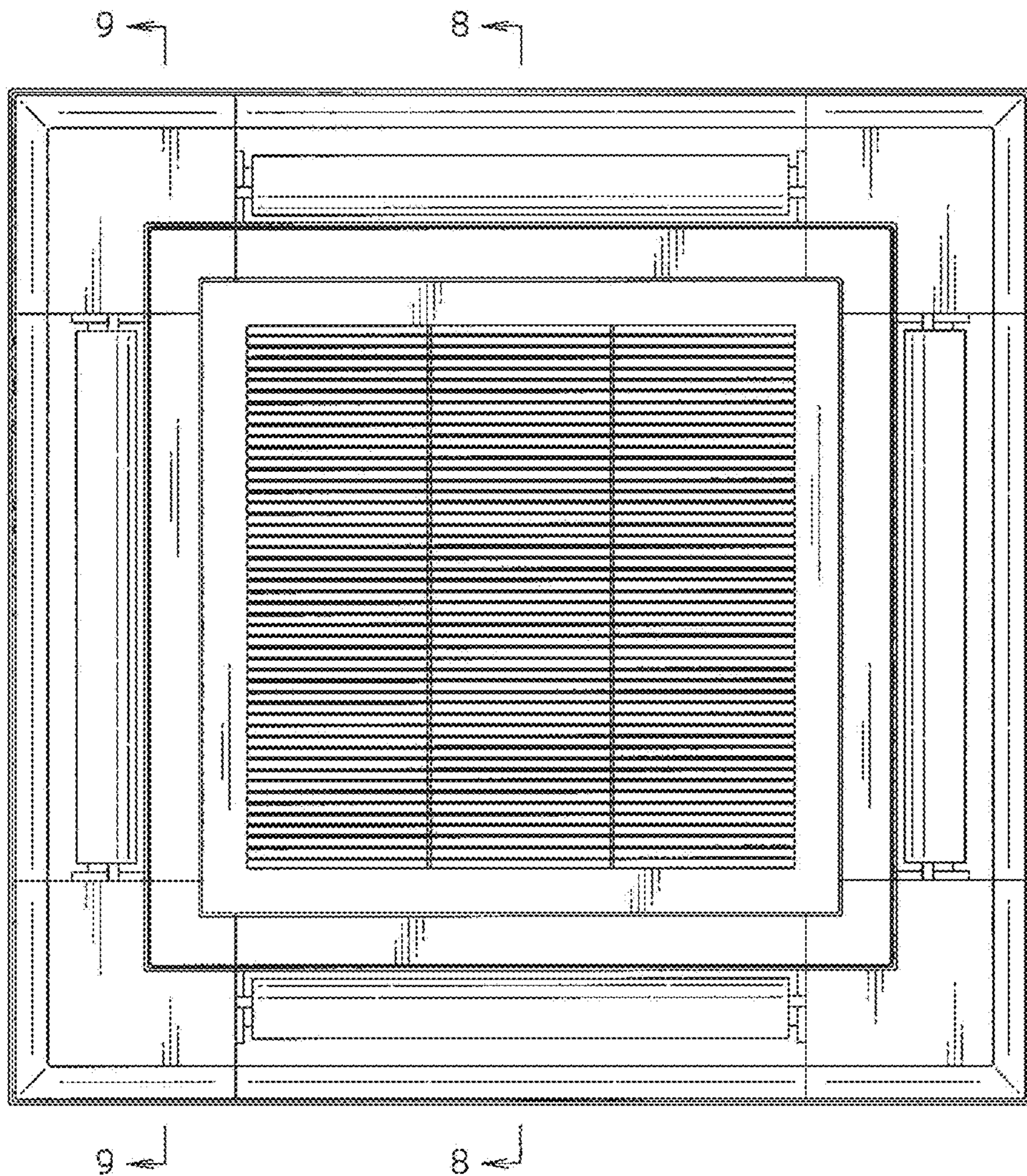


Fig. 3

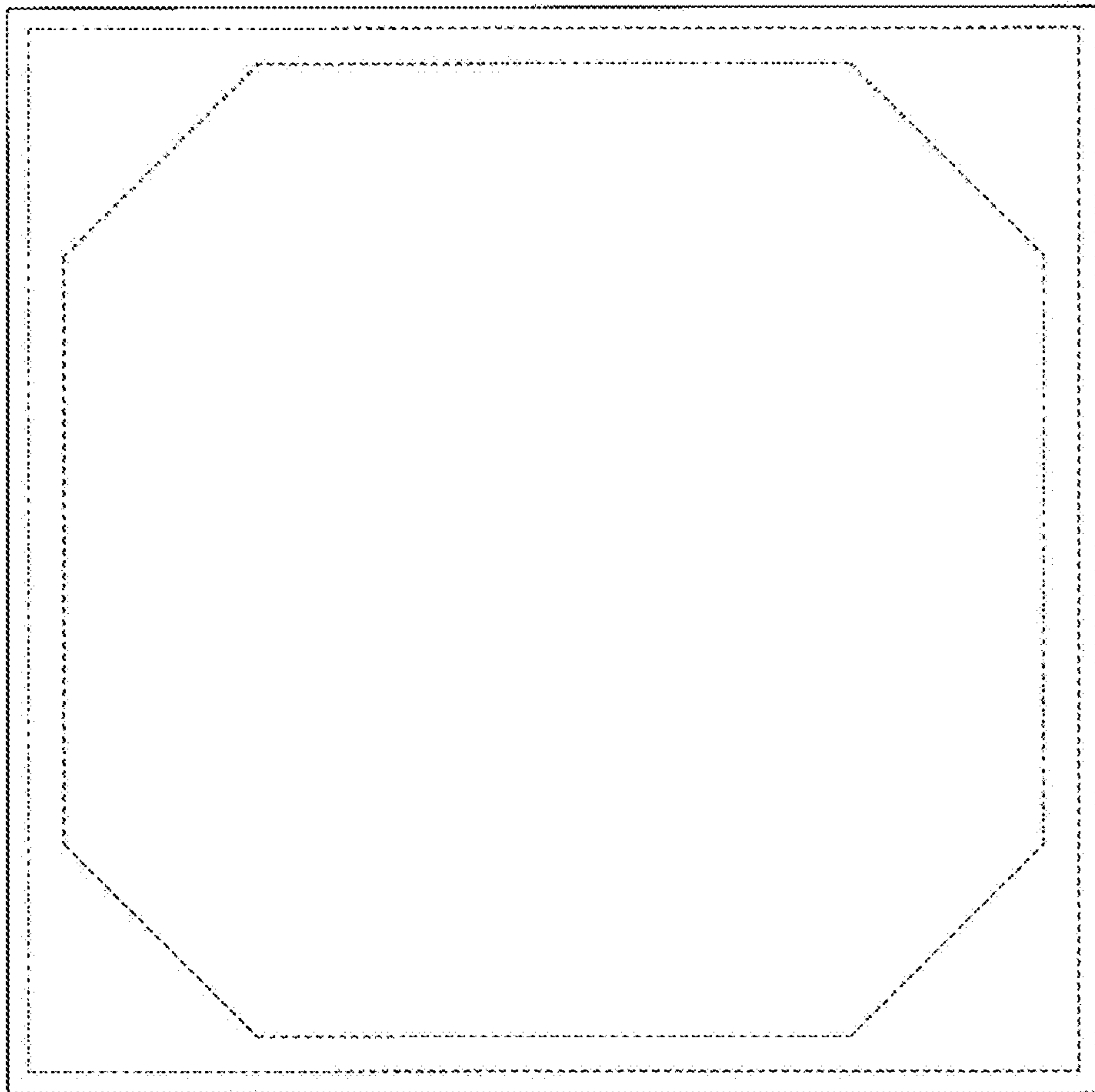


Fig. 4

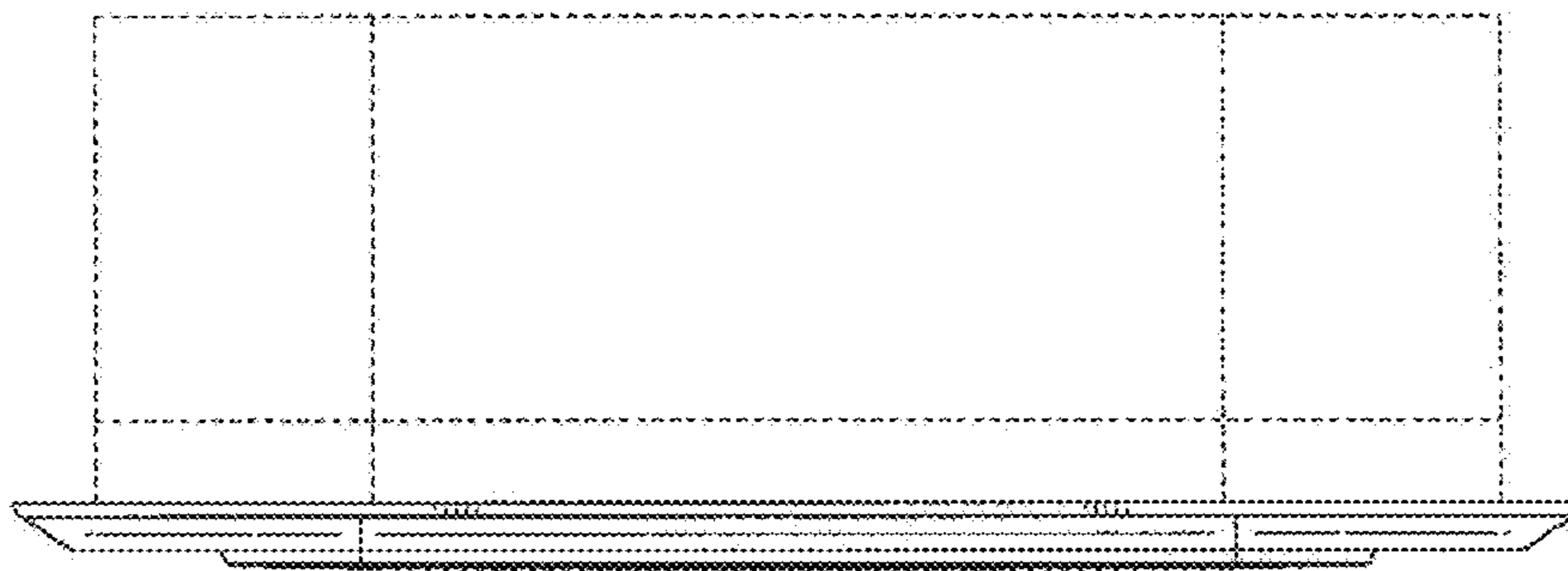


Fig. 5

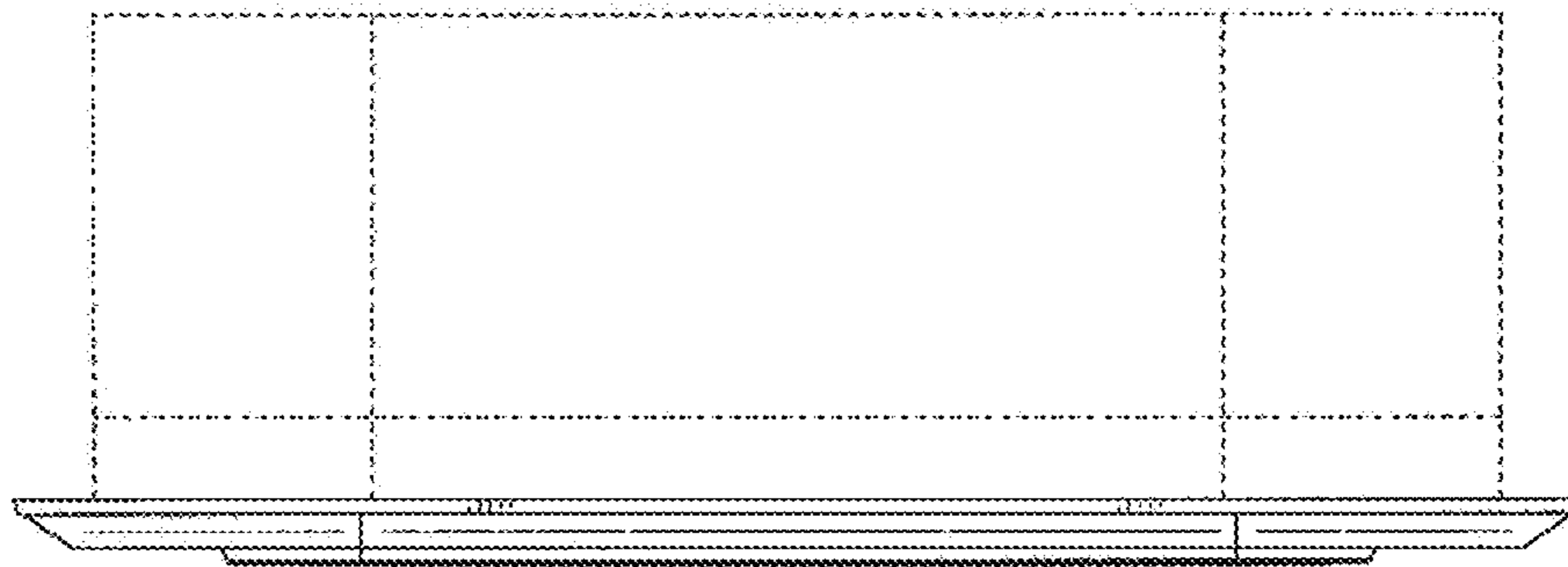


Fig. 6

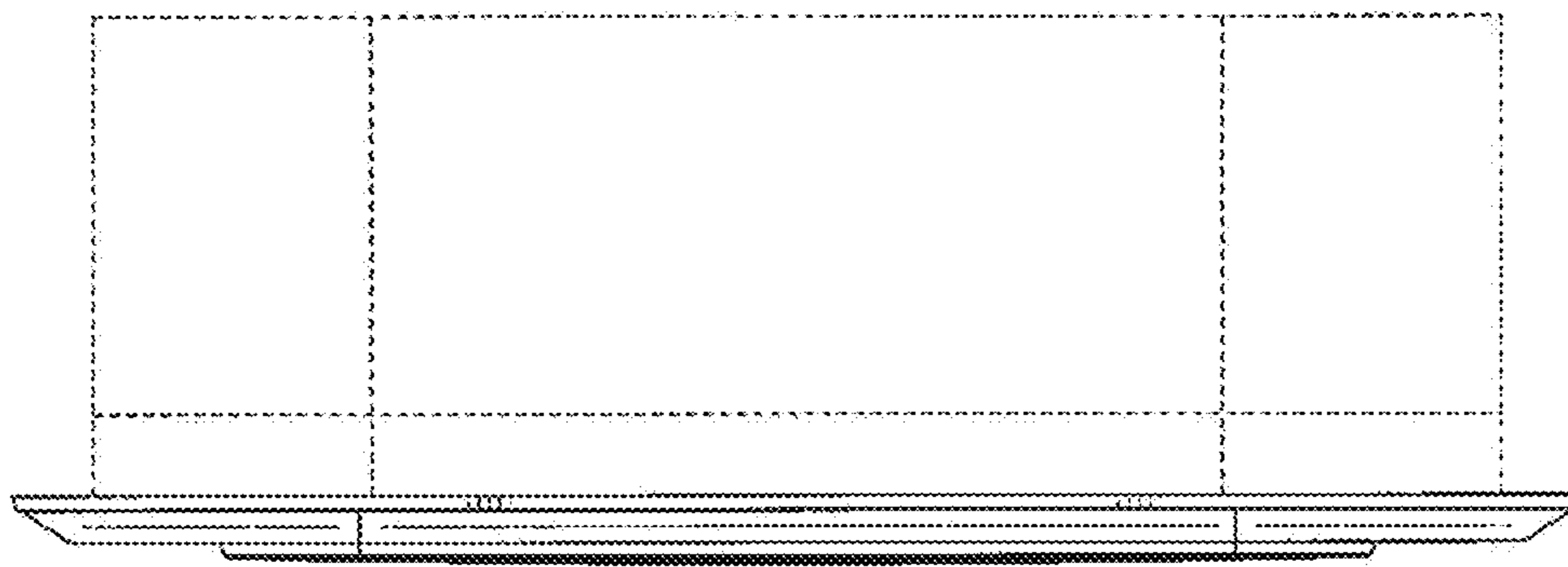


Fig. 7

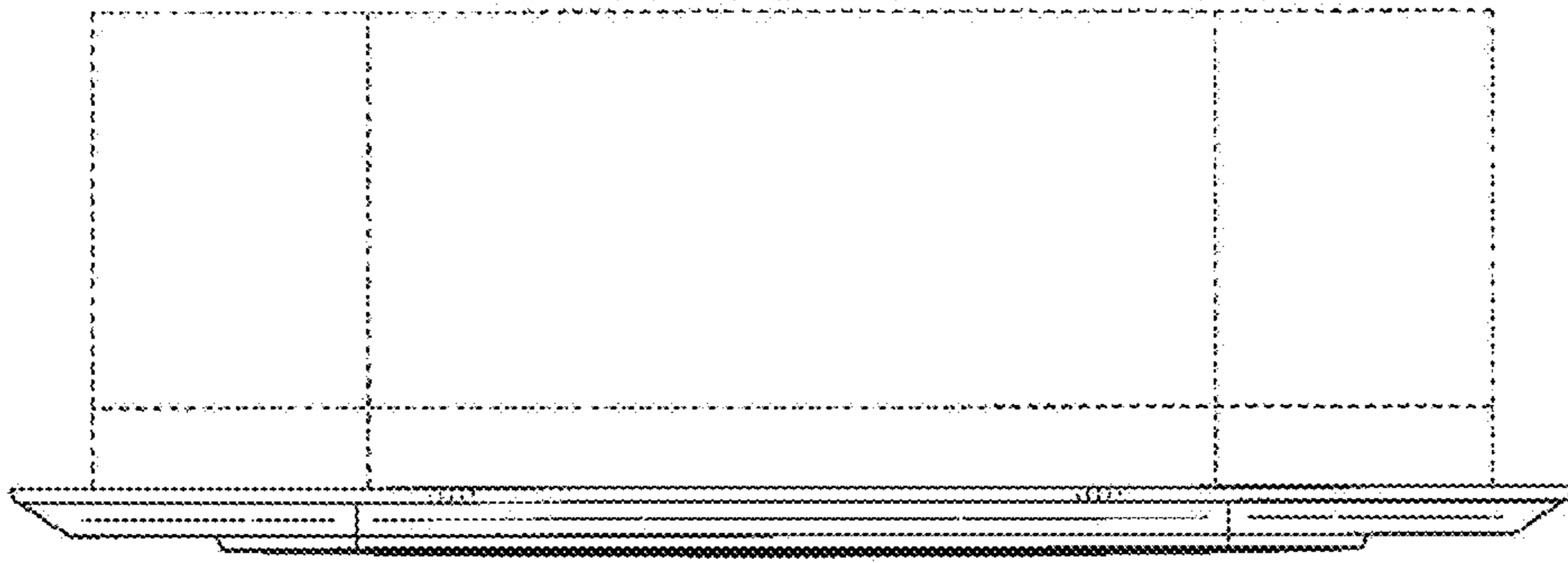




Fig. 8

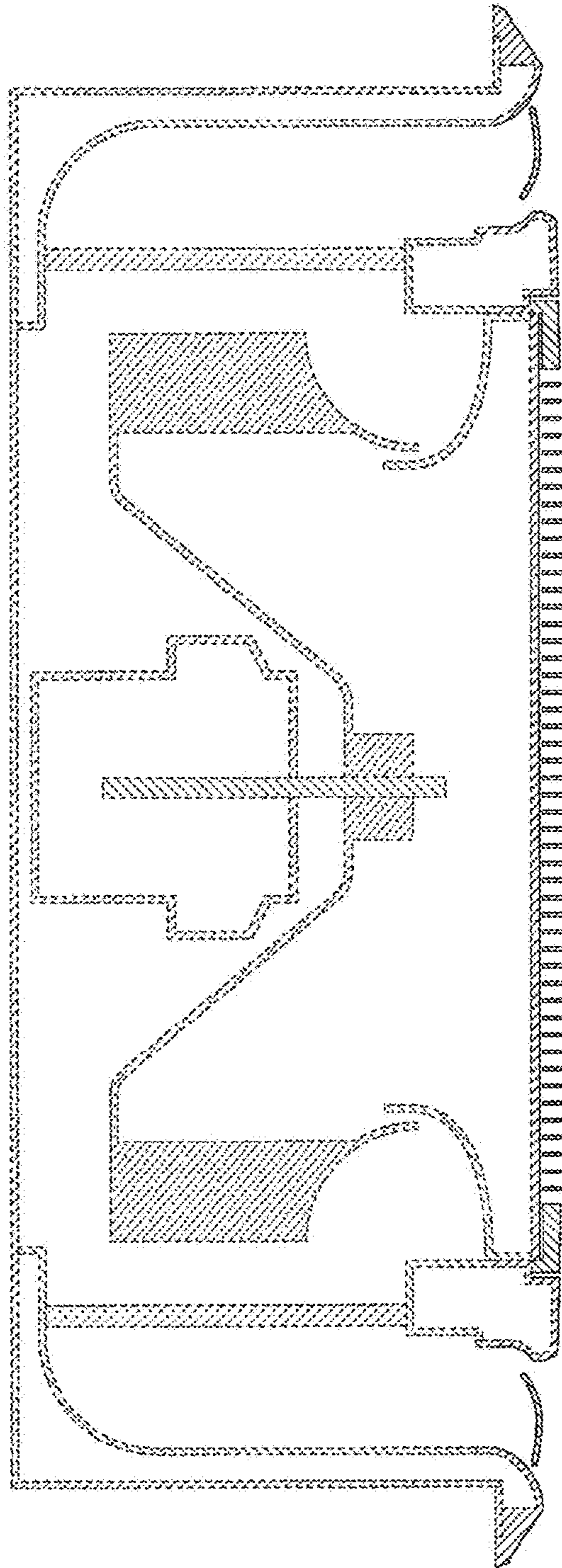


Fig. 9

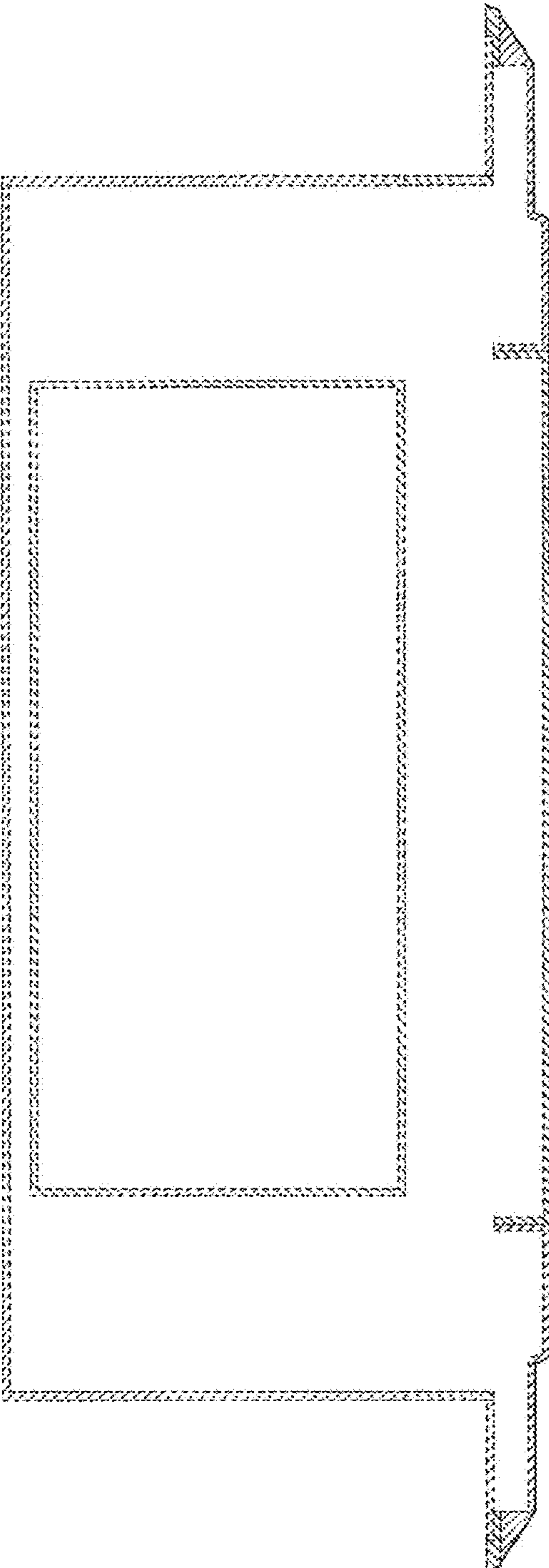


Fig. 10

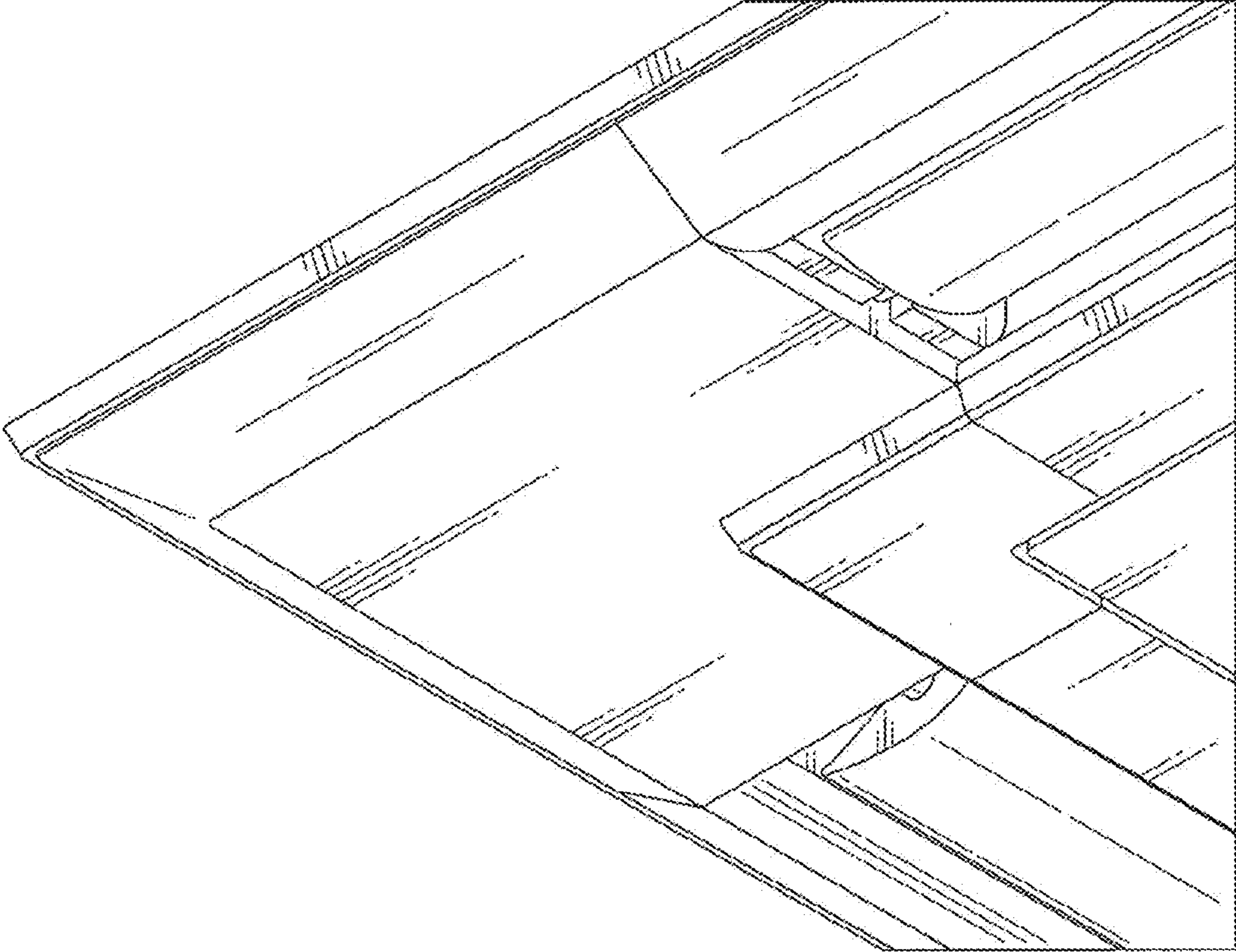


Fig. 11

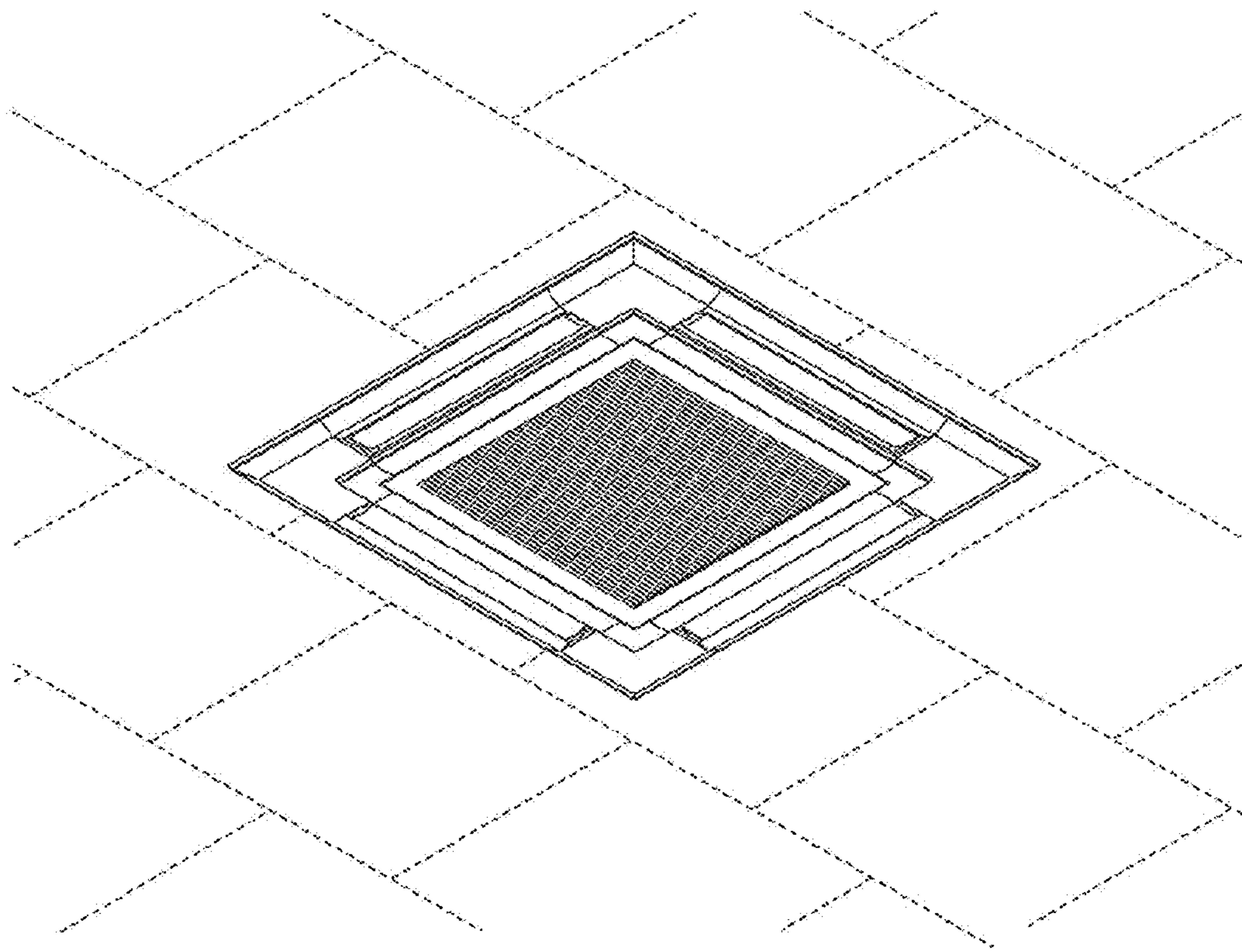


Fig. 12

