



US00D705407S

(12) **United States Design Patent**  
**Edmonds**

(10) **Patent No.:** **US D705,407 S**

(45) **Date of Patent:** **\*\* May 20, 2014**

(54) **CEILING FAN**

(71) Applicant: **David O. Edmonds**, Liberty, TX (US)

(72) Inventor: **David O. Edmonds**, Liberty, TX (US)

(\*\*) Term: **14 Years**

(21) Appl. No.: **29/440,254**

(22) Filed: **Dec. 20, 2012**

(51) **LOC (10) Cl.** ..... **23-04**

(52) **U.S. Cl.**  
USPC ..... **D23/311**; D21/422; D23/377

(58) **Field of Classification Search**  
USPC ..... D23/385, 370-384, 411-414, 386-394,  
D23/499; D12/16.1, 326, 327, 345;  
D21/426, 430, 436, 441, 442; 362/96,  
362/294; 416/5, 170 R, 214 R, 184;  
417/423.1; 392/364; 165/244; 446/36,  
446/37; 340/946; 244/17.11, 17.21, 110 E,  
244/183

See application file for complete search history.

(56) **References Cited**

**U.S. PATENT DOCUMENTS**

D188,875 S *	9/1960	Graham	.....	D12/327
D193,370 S *	8/1962	Mertens	.....	D12/327
D206,734 S *	1/1967	Kesling	.....	D12/327
3,611,376 A *	10/1971	Gutleber	.....	342/144
D231,438 S *	4/1974	Martin, Jr.	.....	D12/327
D232,168 S *	7/1974	Leoni	.....	D12/327
D232,170 S *	7/1974	Diamond et al.	.....	D12/327
D232,183 S *	7/1974	Reed	.....	D21/442
D239,710 S *	4/1976	Garrison	.....	D12/327
D242,338 S *	11/1976	Gilday	.....	D12/327
D278,227 S *	4/1985	Johnston, Jr.	.....	D12/327
4,528,564 A *	7/1985	Trampnau	.....	340/946
4,695,013 A *	9/1987	Trampnau	.....	244/17.13
D294,605 S *	3/1988	Matsumoto	.....	D21/583
D295,430 S *	4/1988	Smith	.....	
4,860,972 A *	8/1989	Lannerd et al.	.....	244/135 R

4,916,445 A *	4/1990	Crossley	.....	340/946
D332,078 S *	12/1992	Shallene	.....	D12/327
D337,301 S *	7/1993	Hill	.....	D12/327
D341,194 S *	11/1993	Reid et al.	.....	
5,286,170 A *	2/1994	Brannon	.....	416/247 R
5,377,934 A *	1/1995	Hill	.....	244/17.11
D359,553 S *	6/1995	Hsi	.....	D23/377
D361,053 S *	8/1995	Whyte et al.	.....	D12/327
D363,054 S *	10/1995	Taylor et al.	.....	D12/327
D374,926 S *	10/1996	Sheh	.....	
D375,077 S *	10/1996	Taylor et al.	.....	D12/327
D390,942 S *	2/1998	Mei	.....	D23/367
D414,255 S *	9/1999	Wu	.....	D23/367
D456,890 S *	5/2002	Thomas	.....	D23/377
6,446,907 B1 *	9/2002	Wilson et al.	.....	244/17.11

(Continued)

**OTHER PUBLICATIONS**

Camo Huey Helicopter Ceiling Fan (UH-1H Helicopter Ceiling Fan Decoration). Flickr [online] p. 1 of 1. Posted Mar. 20, 2008 [retrieved on 2017-Feb. 2007]. Retrieved from Internet: <URL <http://www.flickr.com/photos/stringer199/2347929746/>>.\*

*Primary Examiner* — Susan Bennett Hattan

*Assistant Examiner* — Marie Fast Horse

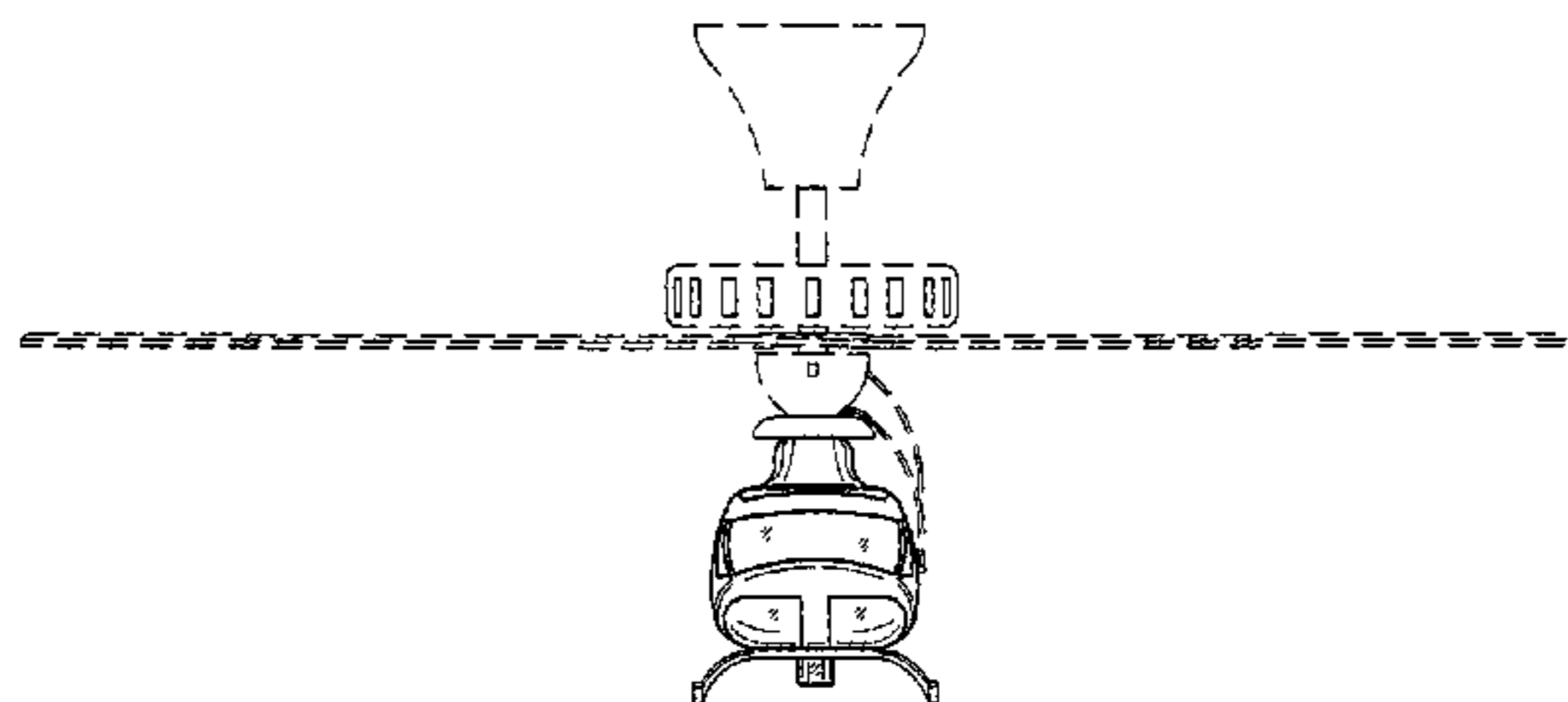
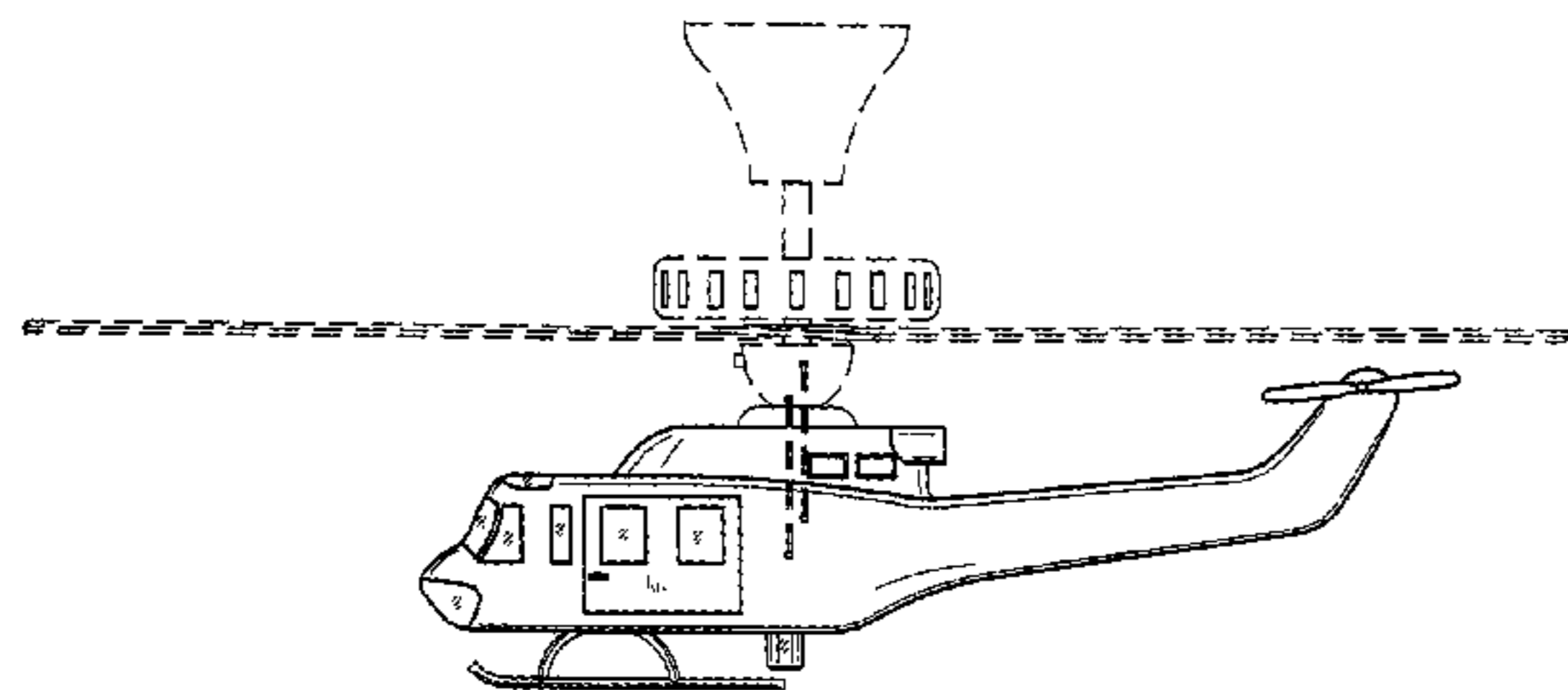
(57) **CLAIM**

The ornamental design for a ceiling fan, as shown and described.

**DESCRIPTION**

FIG. 1 is a right side view of a ceiling fan showing my new design;  
FIG. 2 is a left side view of the ceiling fan;  
FIG. 3 is a front view of the ceiling fan;  
FIG. 4 is a rear view of the ceiling fan;  
FIG. 5 is a top view of the ceiling fan; and,  
FIG. 6 is a bottom view of the ceiling fan.  
The broken lines in the drawings depict environmental subject matter only and form no part of the claimed design.

**1 Claim, 4 Drawing Sheets**



(56)

**References Cited**

U.S. PATENT DOCUMENTS

6,869,045	B1 *	3/2005	Desroche	.....	244/17.11	D595,831	S *	7/2009	George	.....	D23/377
7,063,289	B2 *	6/2006	Desroche	.....	244/17.11	8,096,496	B2 *	1/2012	Wilson	.....	244/17.11
D532,096	S	11/2006	Gomez			8,271,151	B2 *	9/2012	Hasan et al.	.....	701/3
D571,892	S *	6/2008	Liang	.....	D23/215	8,317,127	B2 *	11/2012	Wilson	.....	244/17.11
7,385,528	B2	6/2008	Gomez			8,376,265	B2 *	2/2013	Desroche	.....	244/17.11
7,422,163	B1	9/2008	DeVorss			D687,364	S *	8/2013	Mitchell et al.	.....	D12/326
						2006/0147312	A1 *	7/2006	Ozelski et al.	.....	416/247 R
						2009/0278480	A1	11/2009	Nunes		

\* cited by examiner

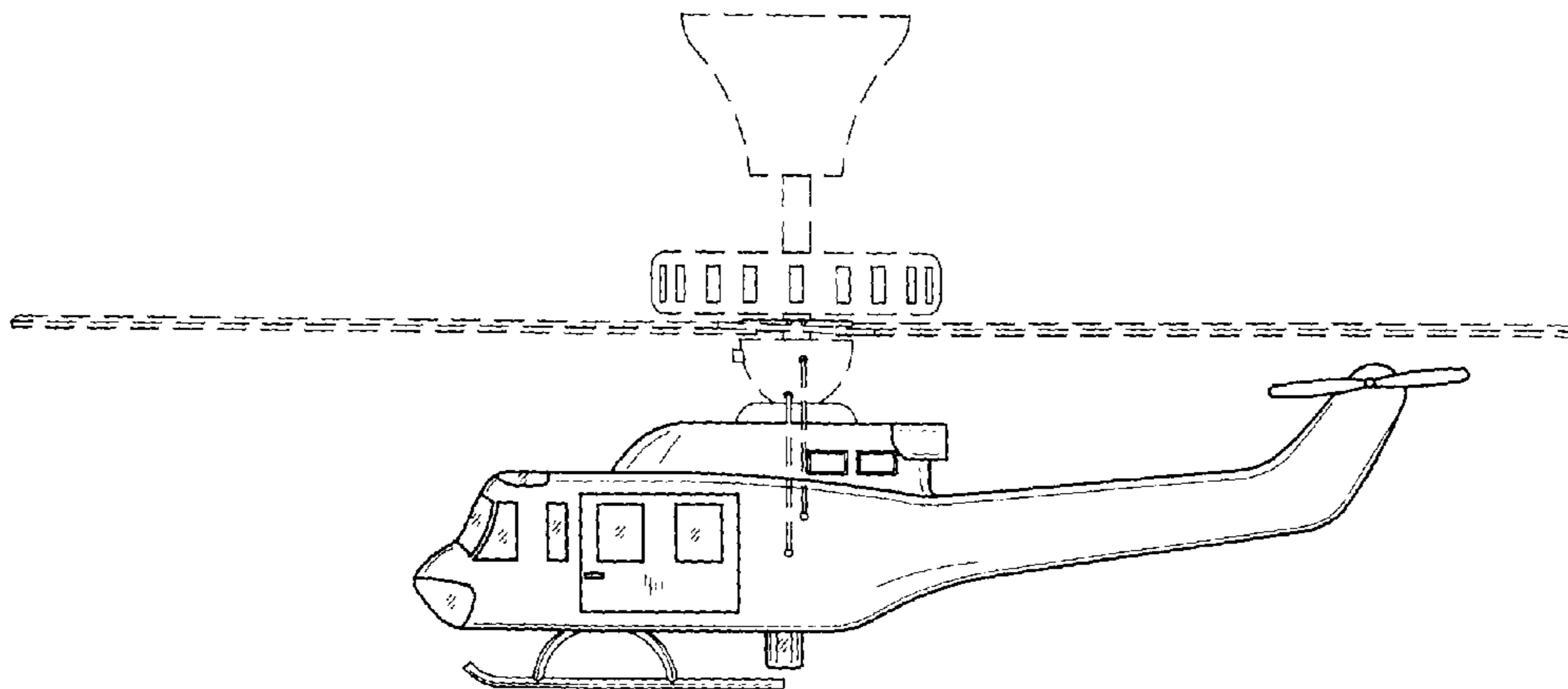


FIG. 1

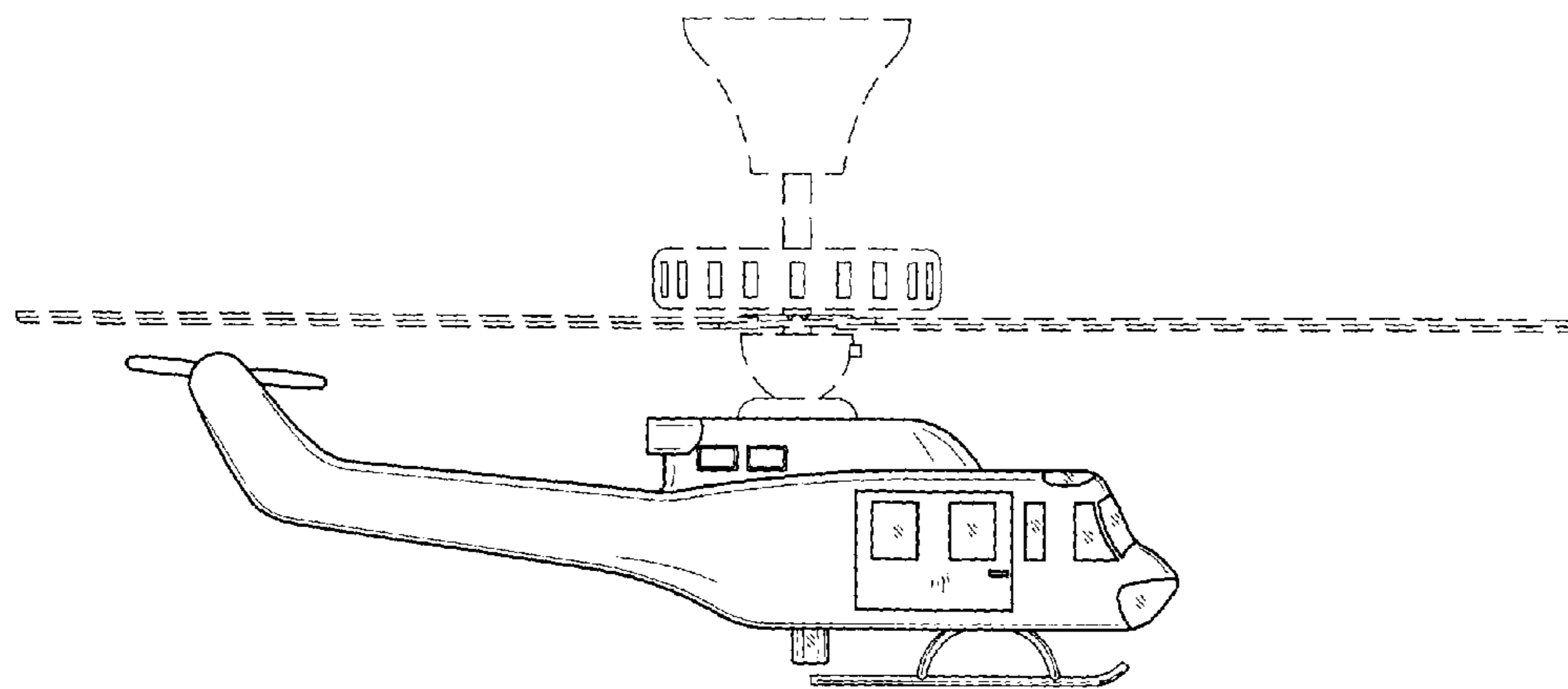


FIG. 2

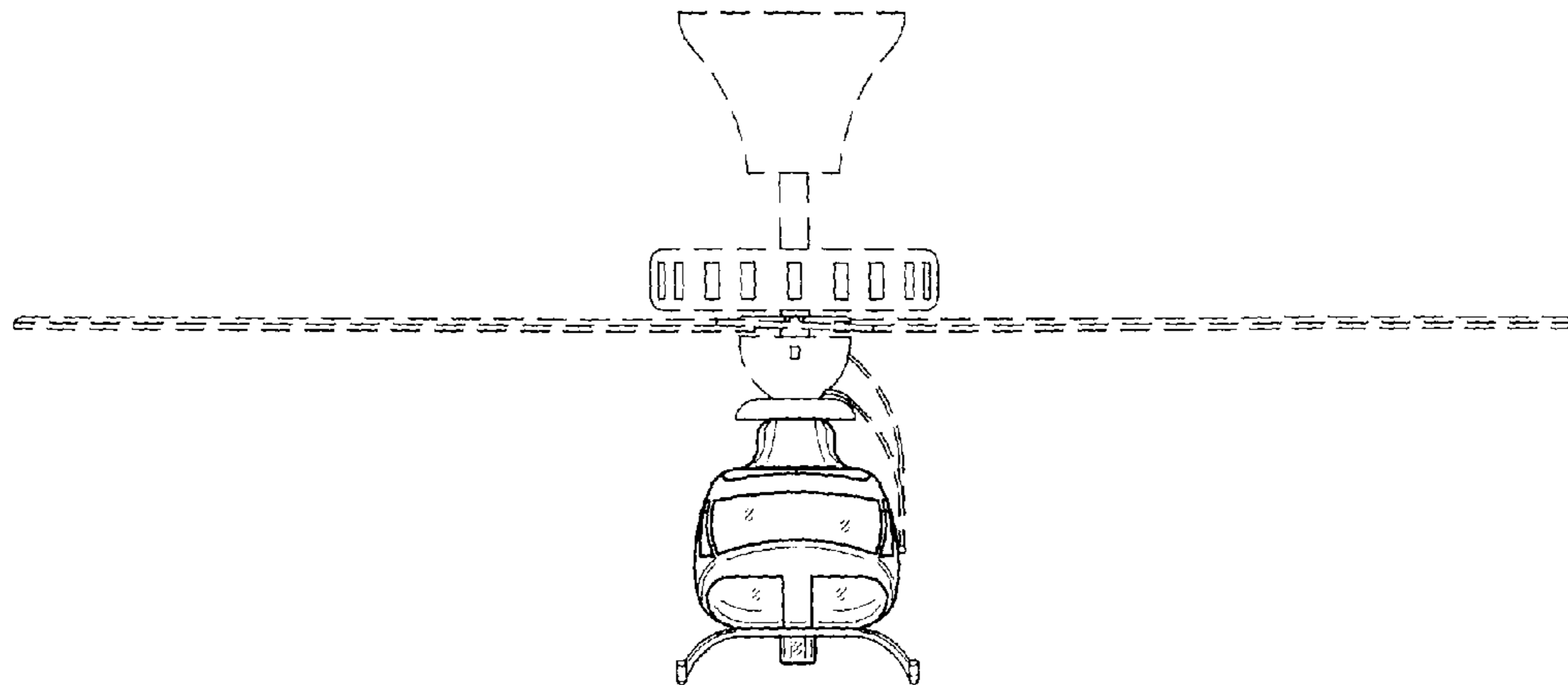


FIG. 3

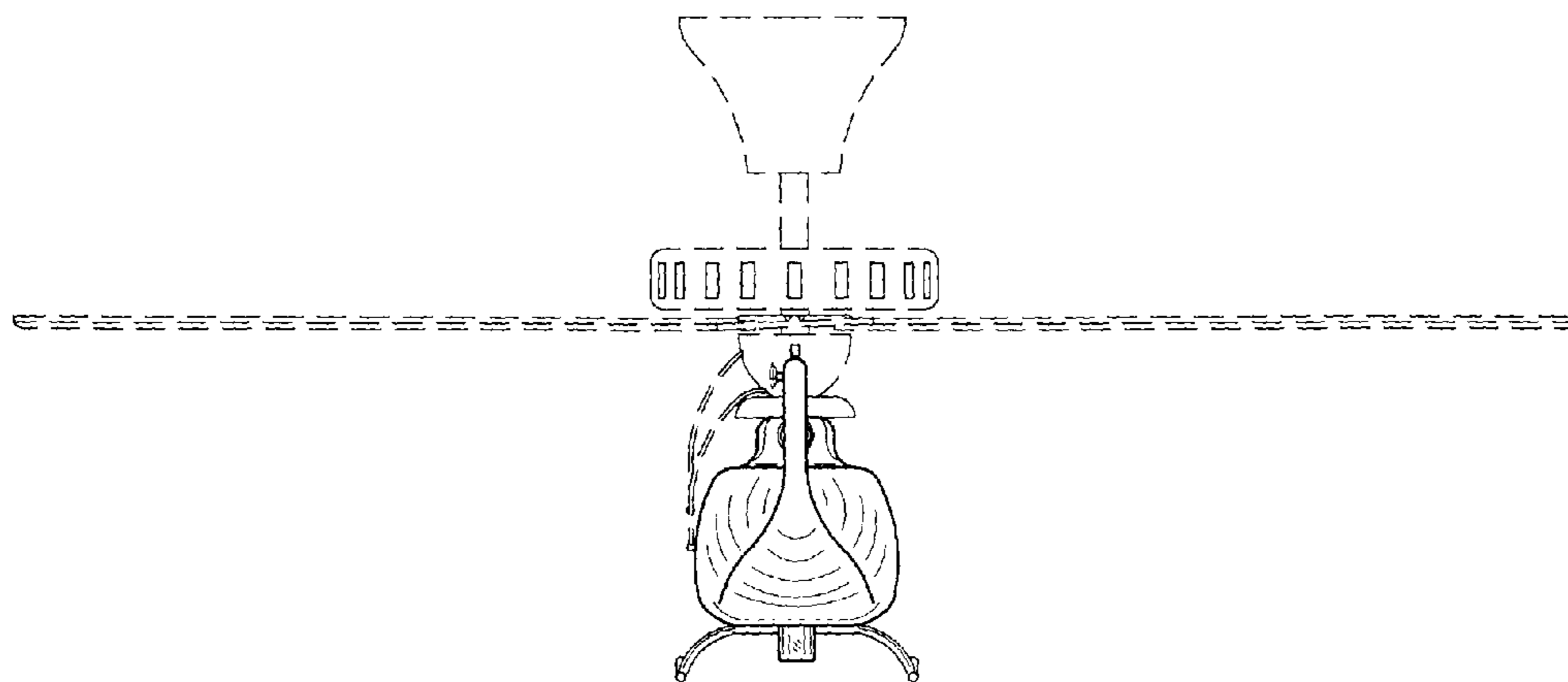


FIG. 4

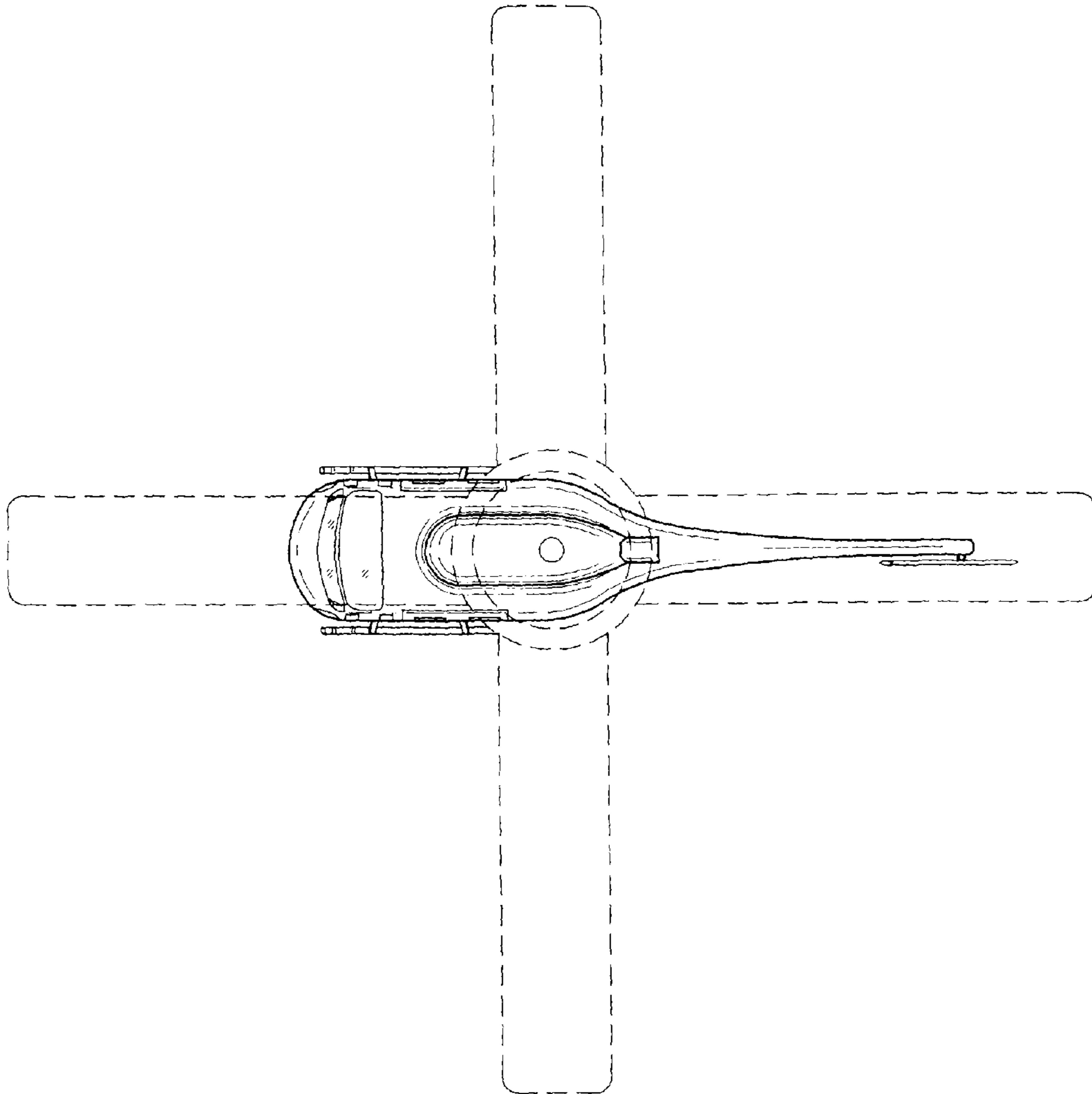


FIG. 5

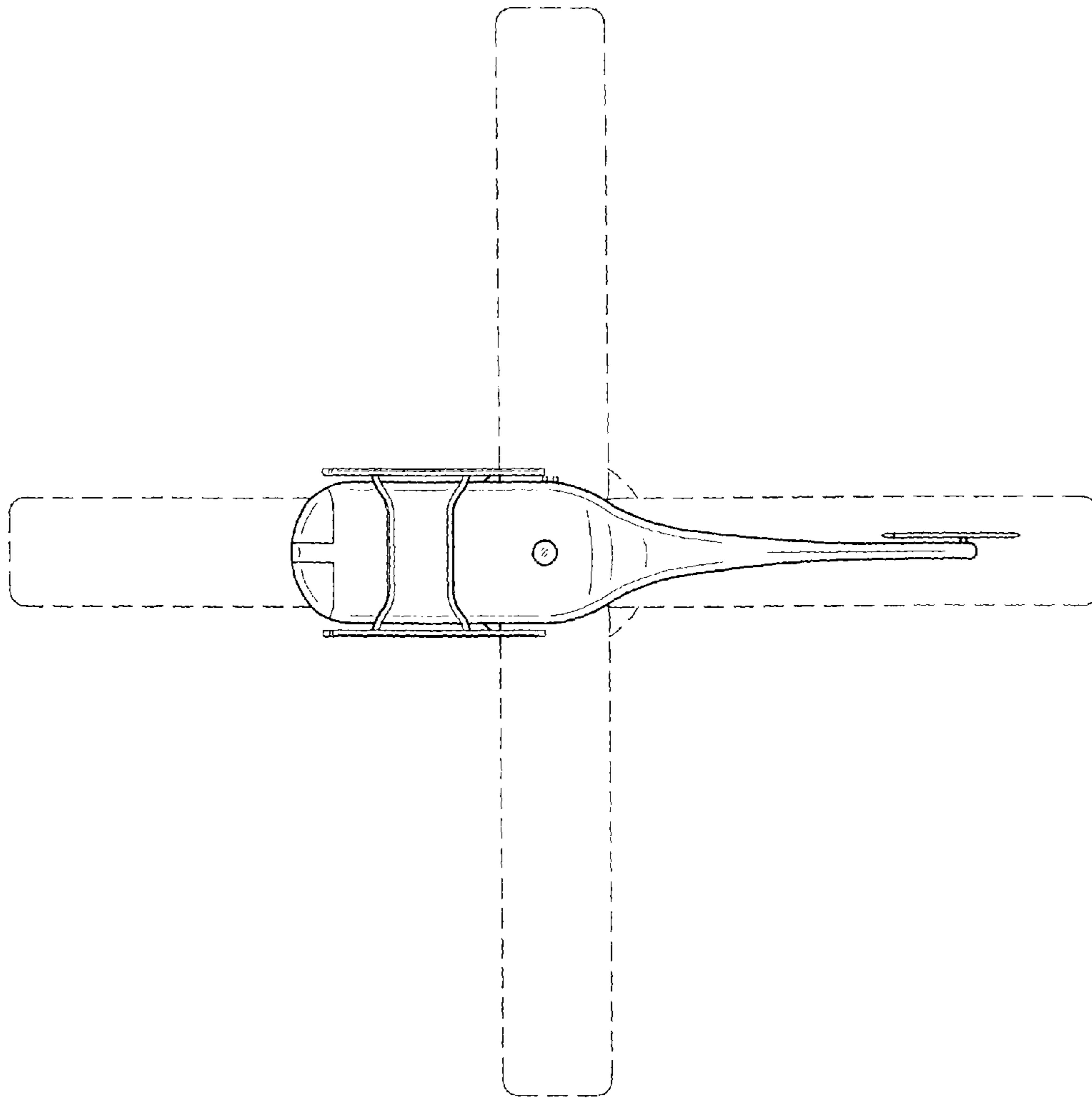


FIG. 6