



US00D705405S

(12) **United States Design Patent**
Koyama et al.

(10) **Patent No.:** **US D705,405 S**

(45) **Date of Patent:** **** May 20, 2014**

(54) **TOILET UNIT**

(71) Applicant: **The Yokohama Rubber Co., Ltd.**,
Tokyo (JP)

(72) Inventors: **Takashi Koyama**, Kanagawa (JP);
Masayuki Fushimi, Tokyo (JP)

(73) Assignee: **The Yokohama Rubber Co., Ltd.** (JP)

(**) Term: **14 Years**

(21) Appl. No.: **29/445,079**

(22) Filed: **Feb. 7, 2013**

(30) **Foreign Application Priority Data**

Aug. 7, 2012 (JP) 2012-018956

(51) **LOC (10) Cl.** **23-02**

(52) **U.S. Cl.**
USPC **D23/299**

(58) **Field of Classification Search**

USPC D23/270–271, 274, 295, 299, 300, 303,
D23/309, 311; 4/300, 420, 210, 234, 242.1,
4/DIG. 15, 664; D12/345, 317–318, 40,
D12/43; 244/119–120, 117 R

See application file for complete search history.

(56) **References Cited**

U.S. PATENT DOCUMENTS

D198,740 S * 7/1964 Tiller D23/274
D214,318 S * 6/1969 Wilhelm D23/299

5,150,863 A * 9/1992 Hozumi D12/345
D352,096 S * 11/1994 Tagg D23/274
D385,021 S * 10/1997 White D23/299
D470,228 S * 2/2003 Wheeler, III D23/274
D557,392 S * 12/2007 Mukai D23/311
D593,647 S * 6/2009 Bock et al. D23/271

* cited by examiner

Primary Examiner — Robert Delehanty

(74) *Attorney, Agent, or Firm* — Banner & Witcoff, Ltd.

(57) **CLAIM**

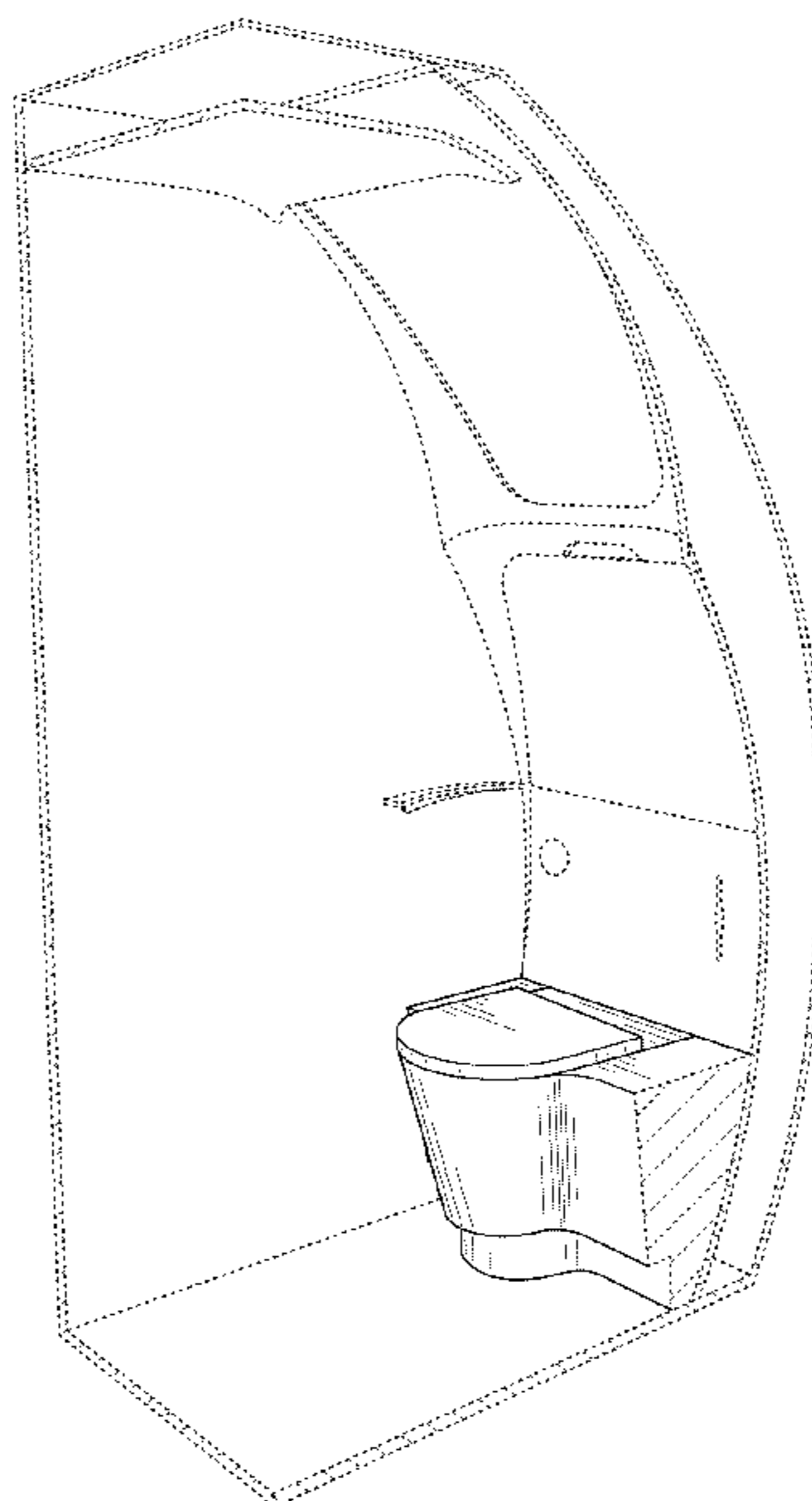
The ornamental design for a toilet unit, as shown and described.

DESCRIPTION

FIG. 1 is a perspective view of front and right side of a toilet unit showing our new design;
FIG. 2 is a front view thereof;
FIG. 3 is a rear view thereof;
FIG. 4 is a left side view thereof;
FIG. 5 is a right side view thereof;
FIG. 6 is a top view thereof;
FIG. 7 is a bottom view thereof;
FIG. 8 is a perspective view showing an interior thereof; and,
FIG. 9 is another perspective view showing an interior thereof.

The portions of the article in broken lines are shown for illustrative purposes only and form no part of the claimed design.

1 Claim, 7 Drawing Sheets



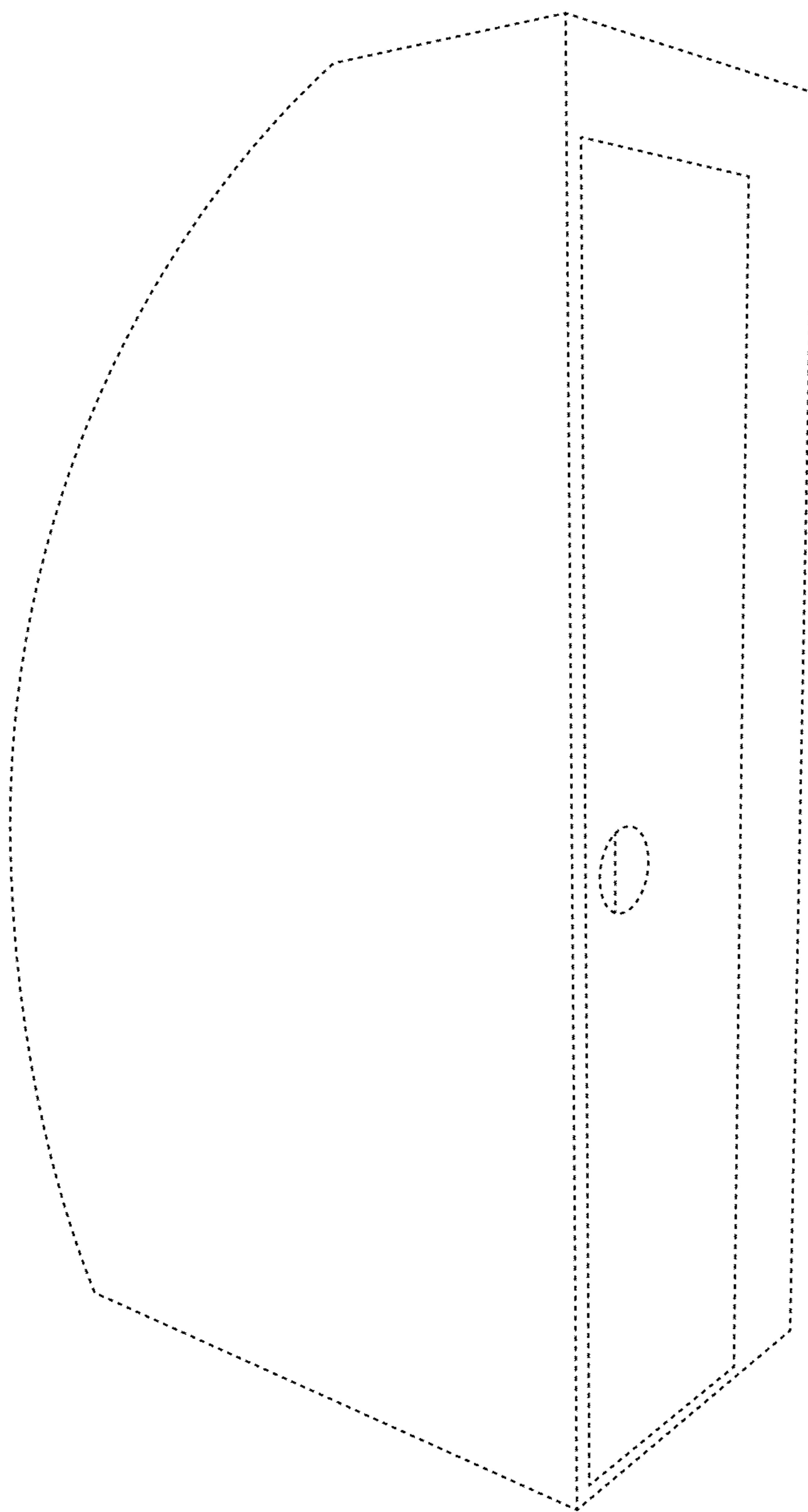


FIG. 1

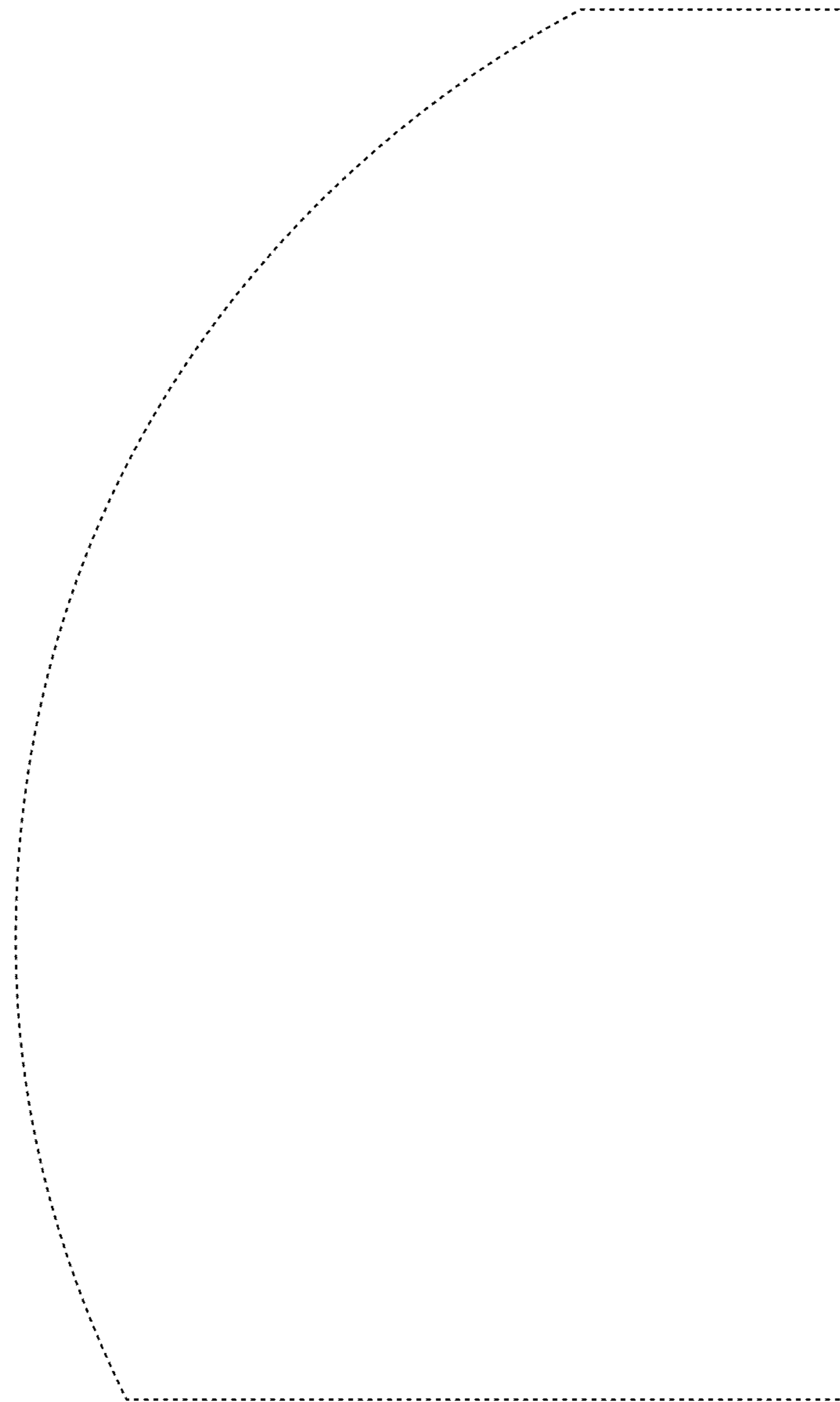


FIG. 2

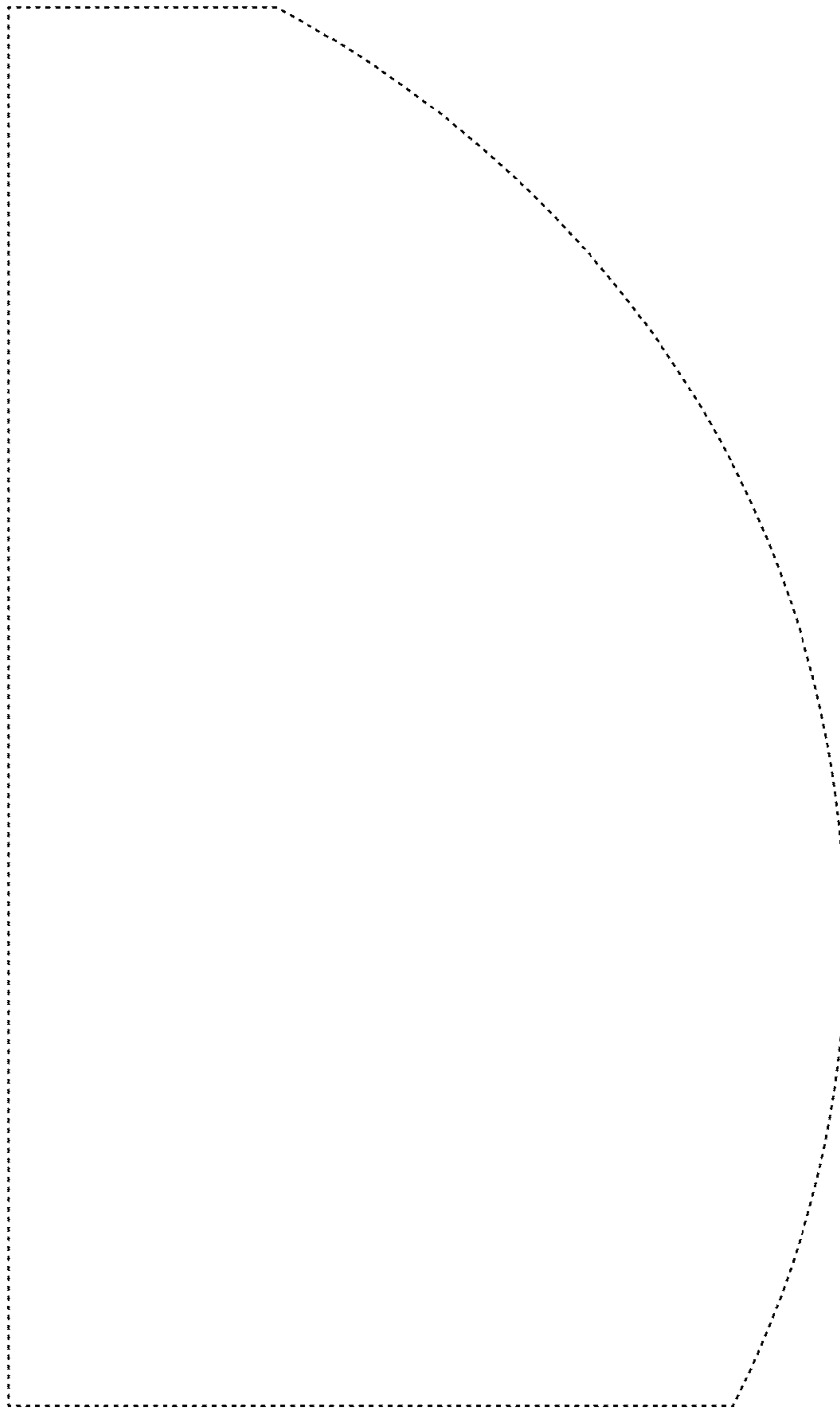


FIG. 3

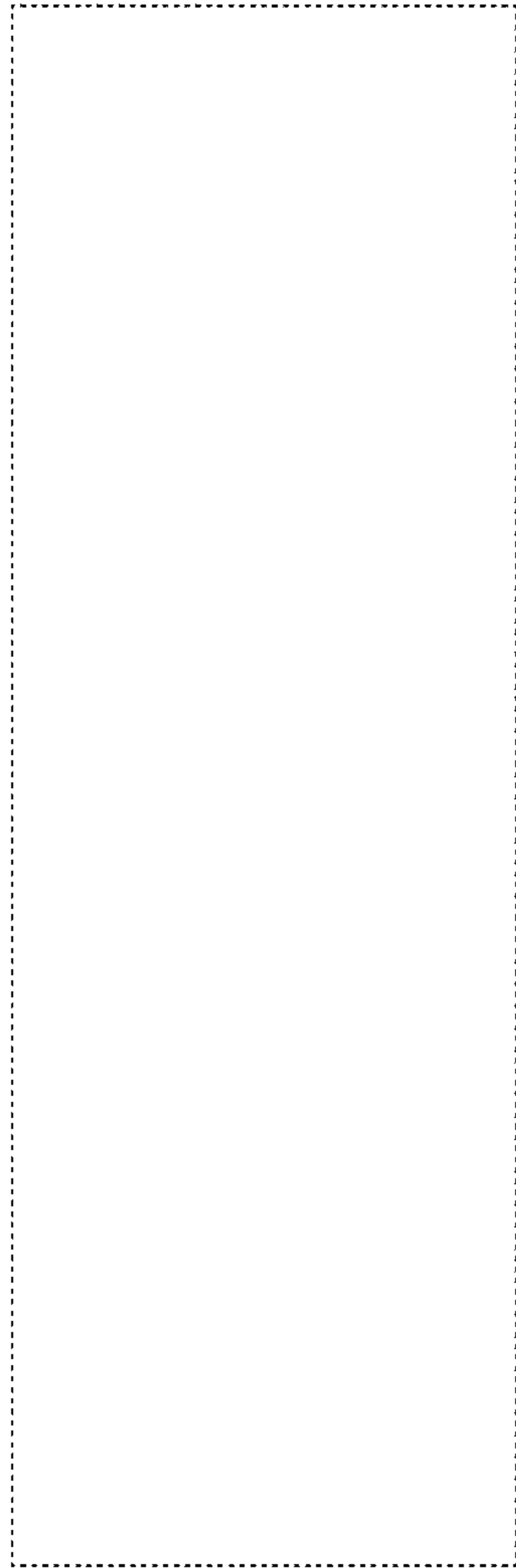


FIG. 4

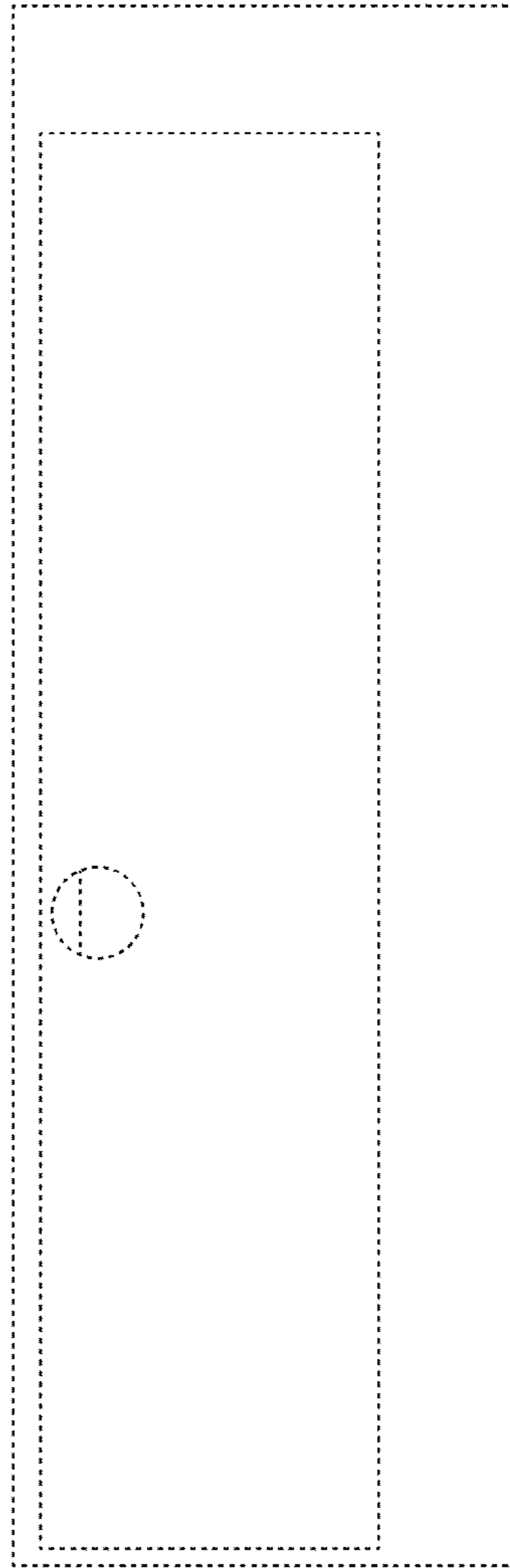


FIG. 5

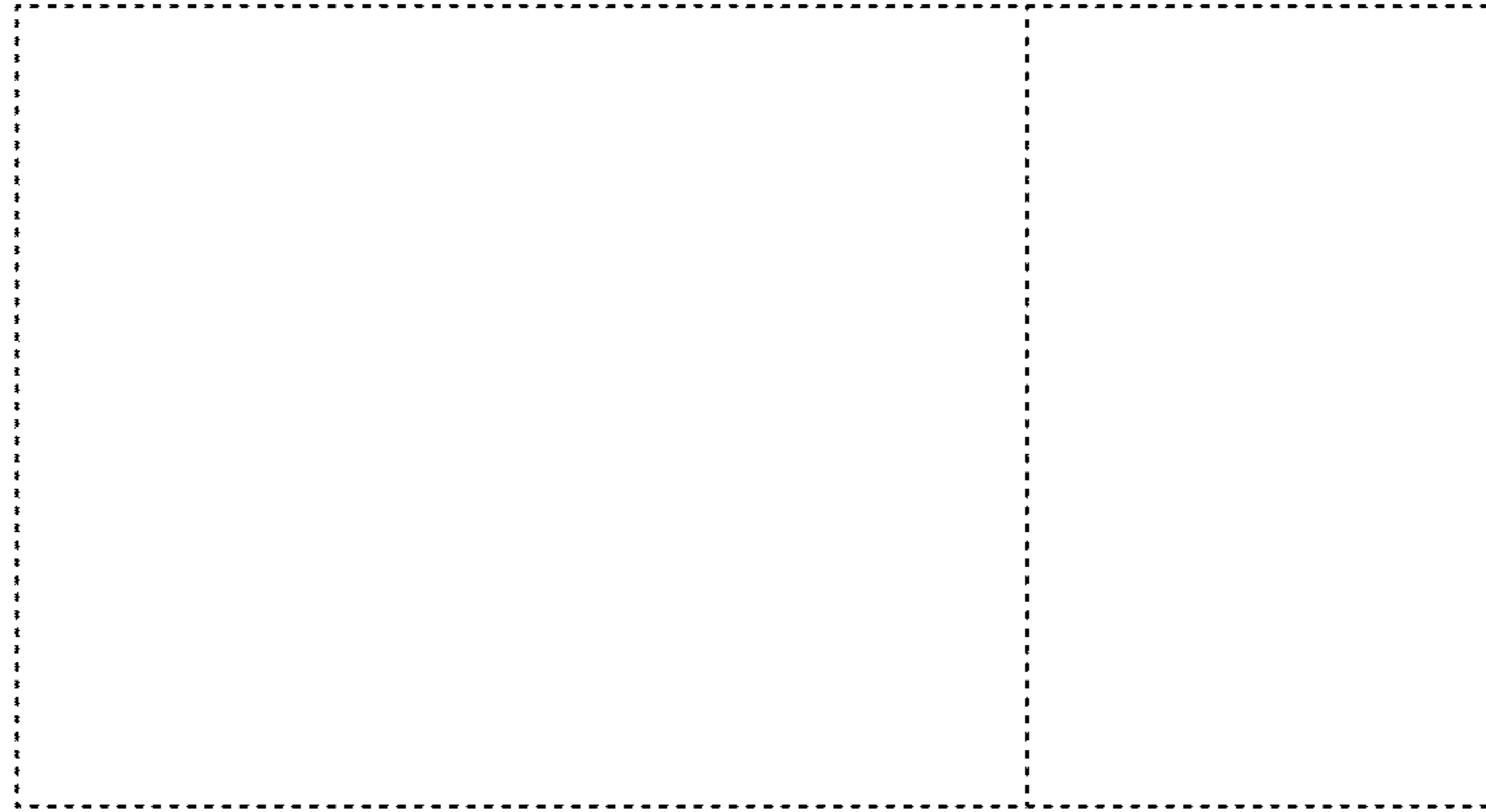


FIG. 6



FIG. 7

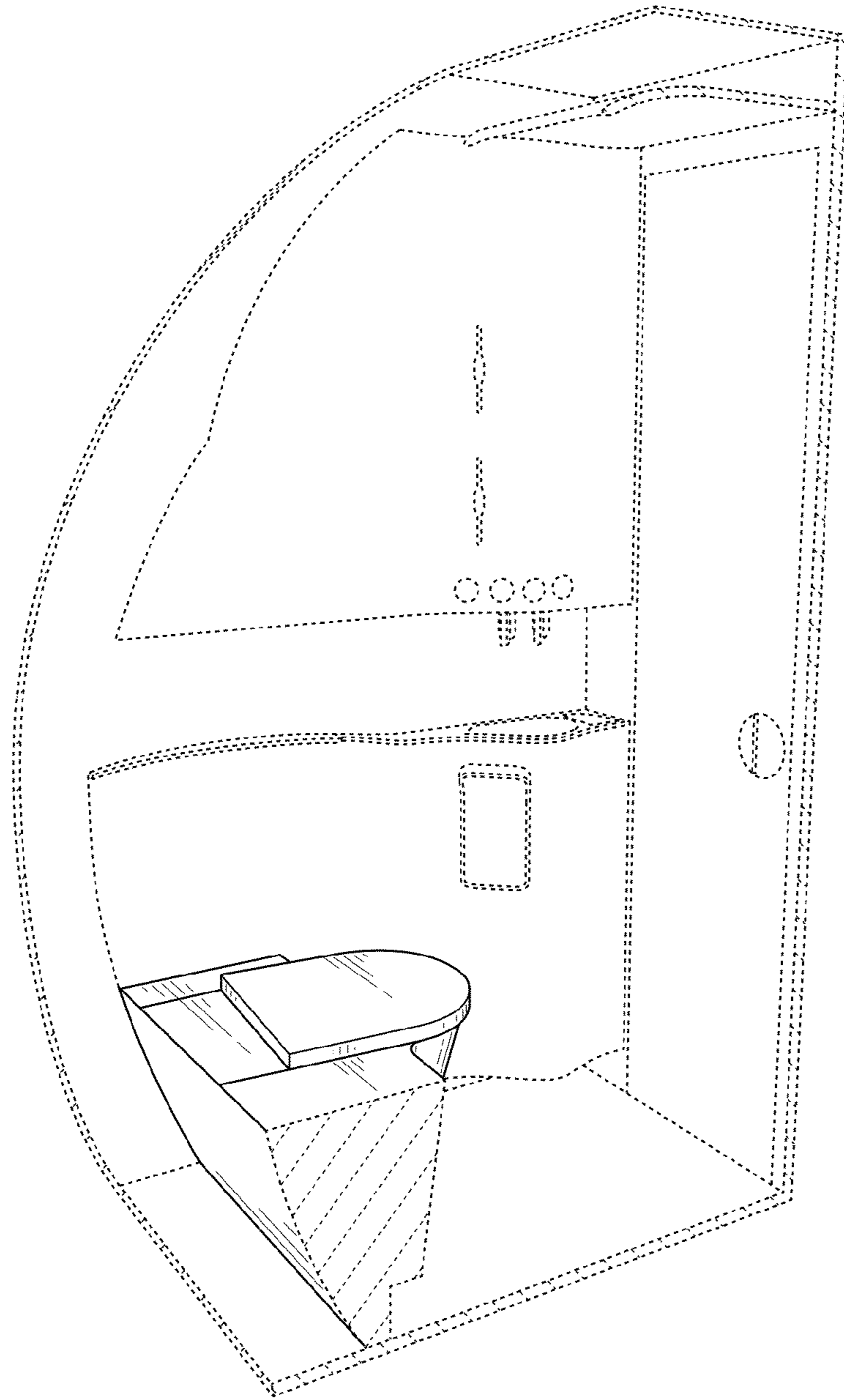


FIG. 8

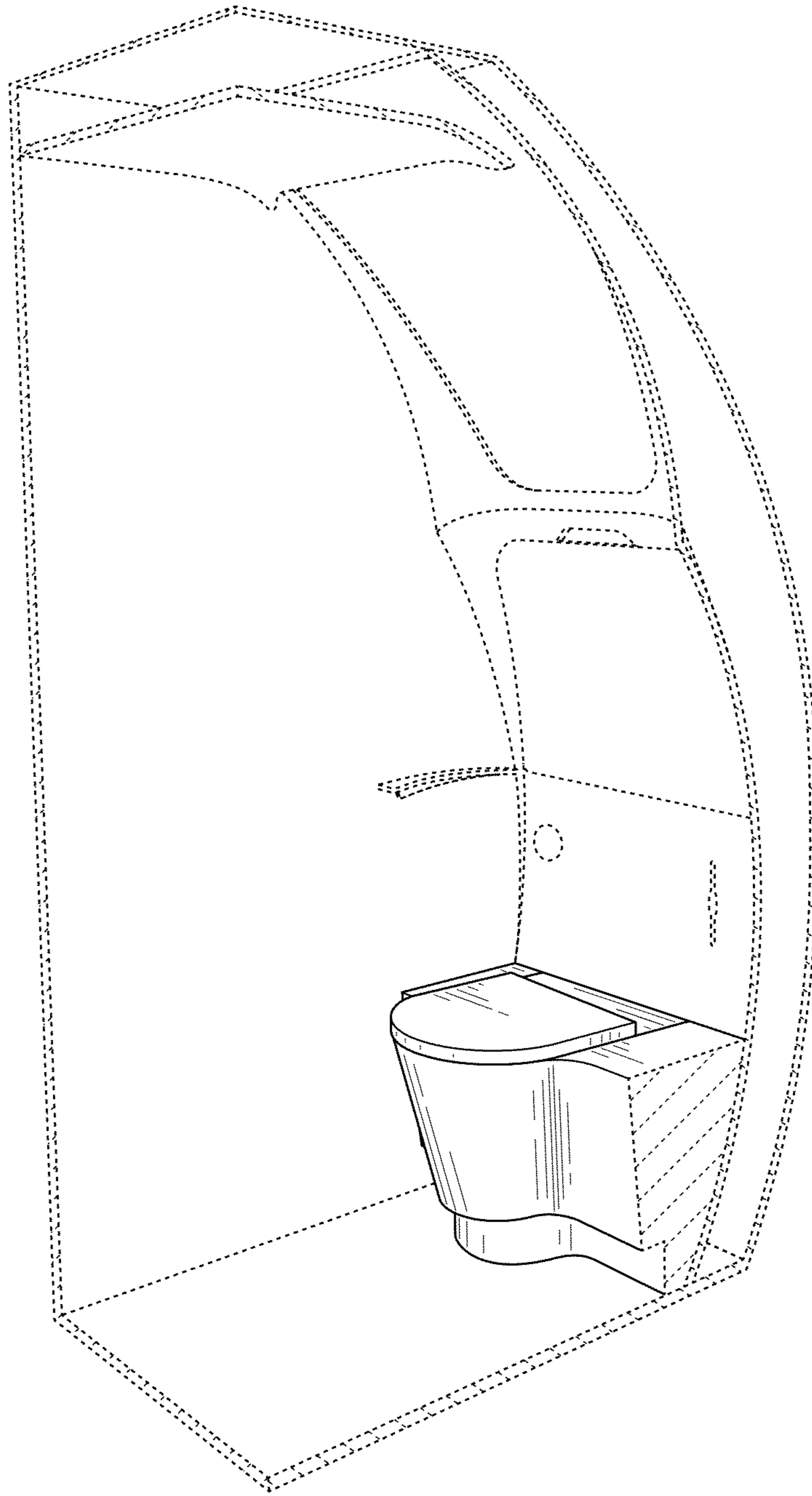


FIG. 9