



US00D705404S

(12) **United States Design Patent**
Anzellini

(10) **Patent No.:** **US D705,404 S**

(45) **Date of Patent:** **** May 20, 2014**

(54) **WASHBASINS**

(71) Applicant: **Simone Anzellini**, Civita Castellana (IT)

(72) Inventor: **Simone Anzellini**, Civita Castellana (IT)

(73) Assignee: **Simas Spa**, Civita Castellana (VT) (IT)

(**) Term: **14 Years**

(21) Appl. No.: **29/463,435**

(22) Filed: **Nov. 21, 2013**

(30) **Foreign Application Priority Data**

Jun. 4, 2013 (EM) 002248971-0001

(51) **LOC (10) Cl.** **23-02**

(52) **U.S. Cl.**
USPC **D23/293.1**

(58) **Field of Classification Search**
CPC E03C 1/18; E03C 1/14; E03C 1/182;
E03C 1/186

USPC D23/284, 293.1, 292, 303, 308; 4/619
See application file for complete search history.

(56) **References Cited**

U.S. PATENT DOCUMENTS

D494,665 S * 8/2004 Herbeau D23/293.1
D620,091 S * 7/2010 Eckhaus D23/308
8,356,367 B2 * 1/2013 Flynn 4/634

* cited by examiner

Primary Examiner — Robert Delehanty

(74) *Attorney, Agent, or Firm* — Breiner & Breiner, L.L.C.

(57) **CLAIM**

The ornamental design for a washbasins, as shown and described.

DESCRIPTION

FIG. 1 is a side and rear perspective view of the washbasin; FIG. 2 is a side and front perspective view of the washbasin of FIG. 1;

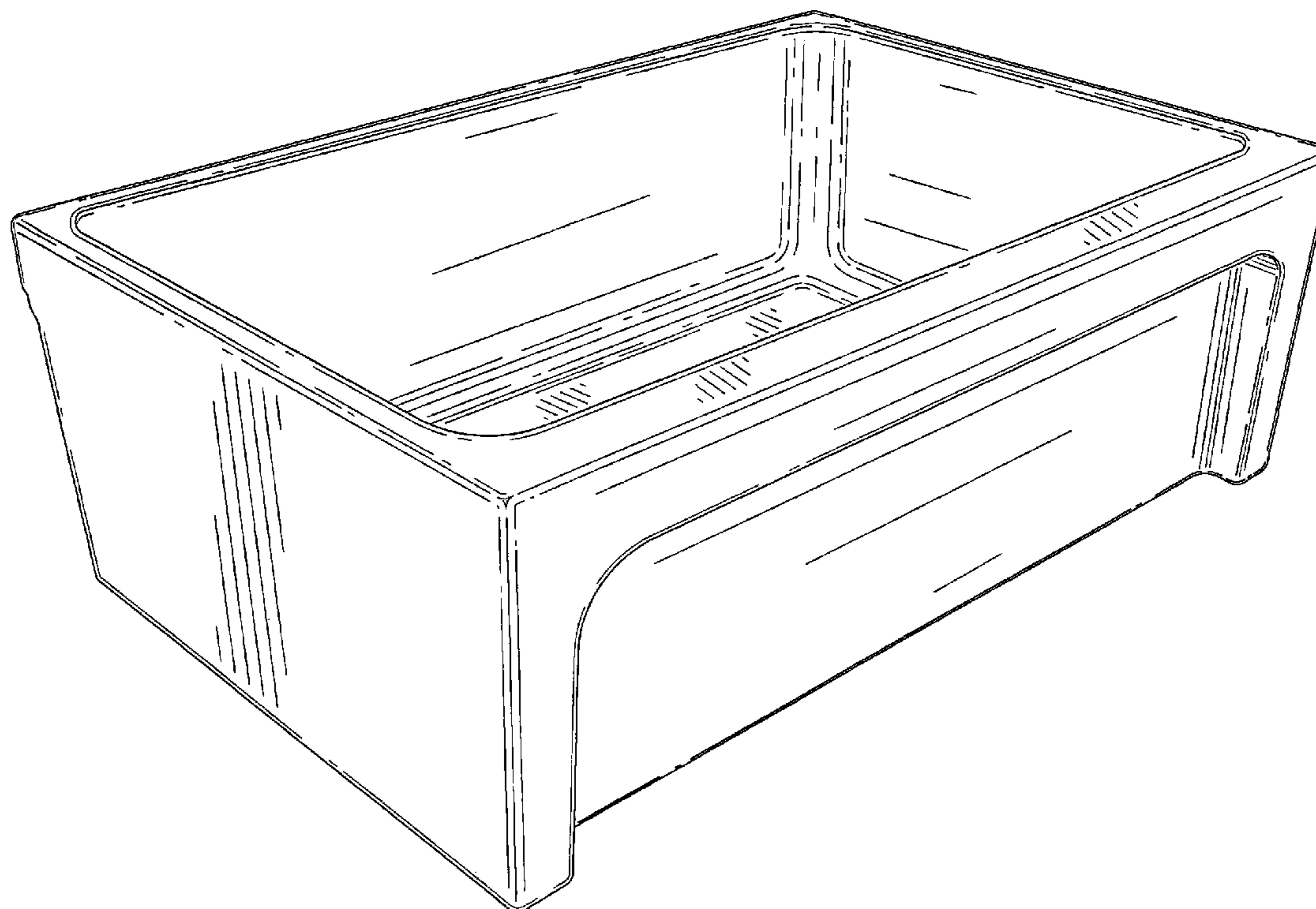
FIG. 3 is a rear view of the washbasin of FIG. 1;

FIG. 4 is a front view of the washbasin of FIG. 1;

FIG. 5 is a top view of the washbasin of FIG. 1; and,

FIG. 6 is a side view of the washbasin of FIG. 1, the opposite side being the same.

1 Claim, 6 Drawing Sheets



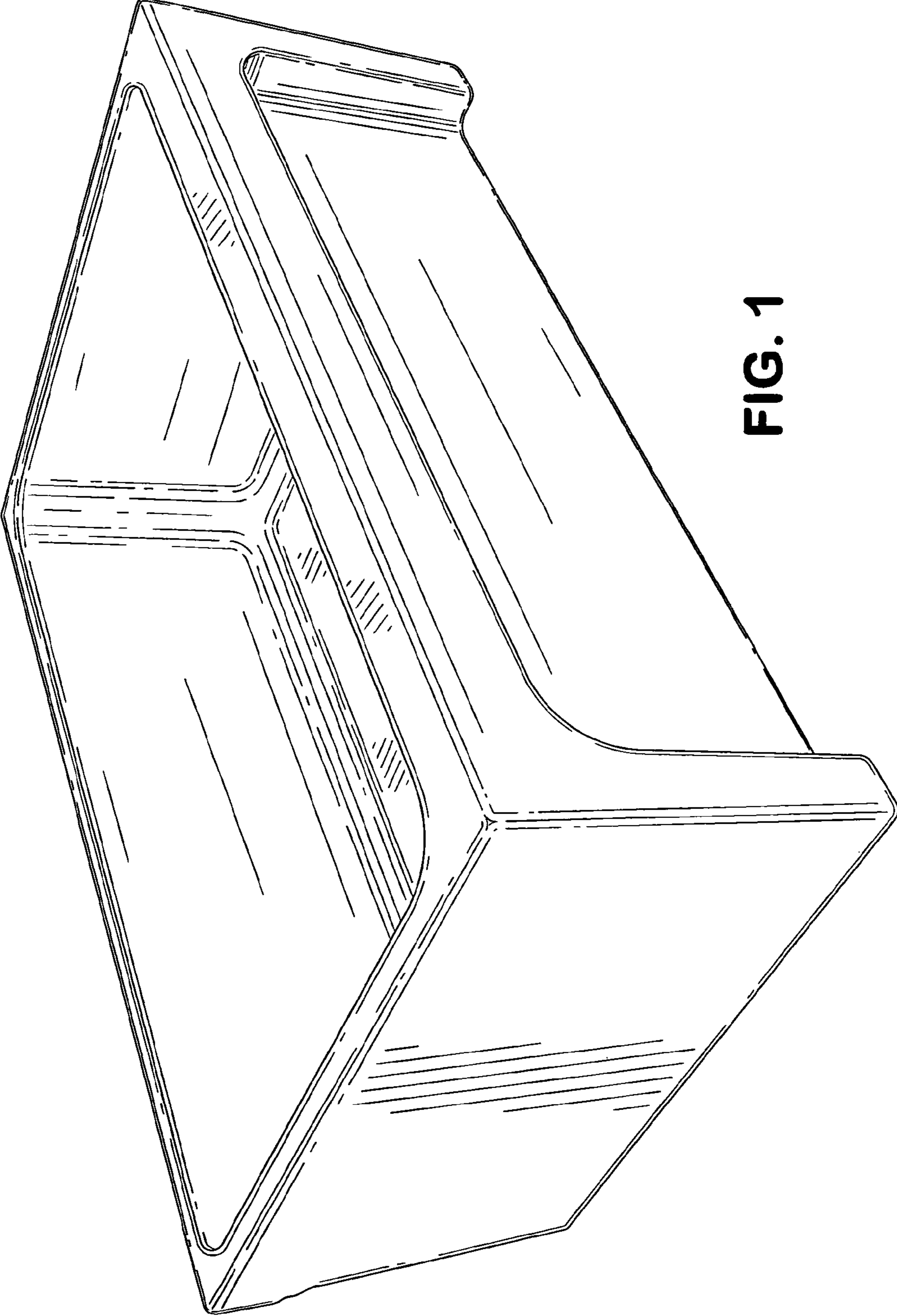


FIG. 1

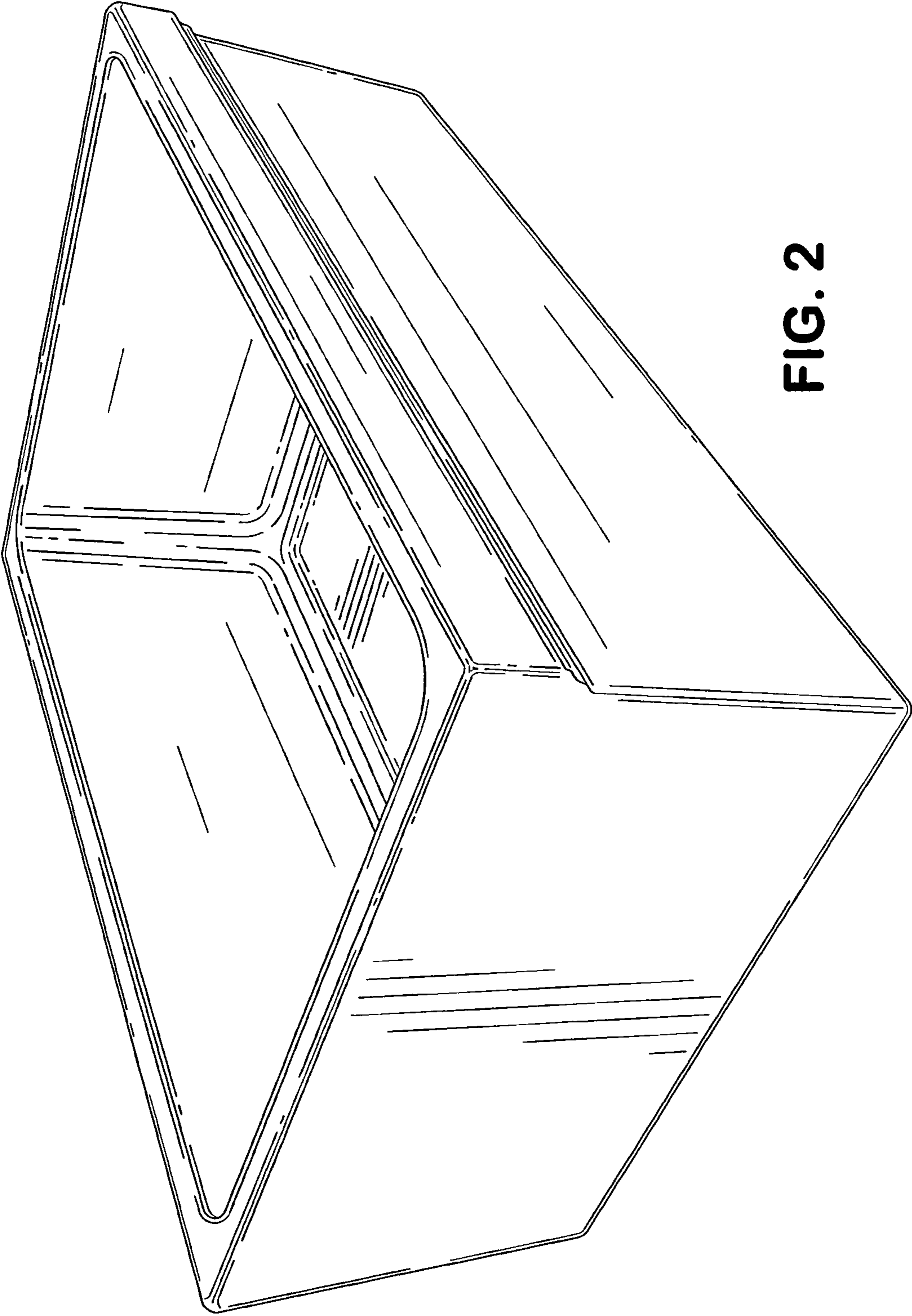


FIG. 2

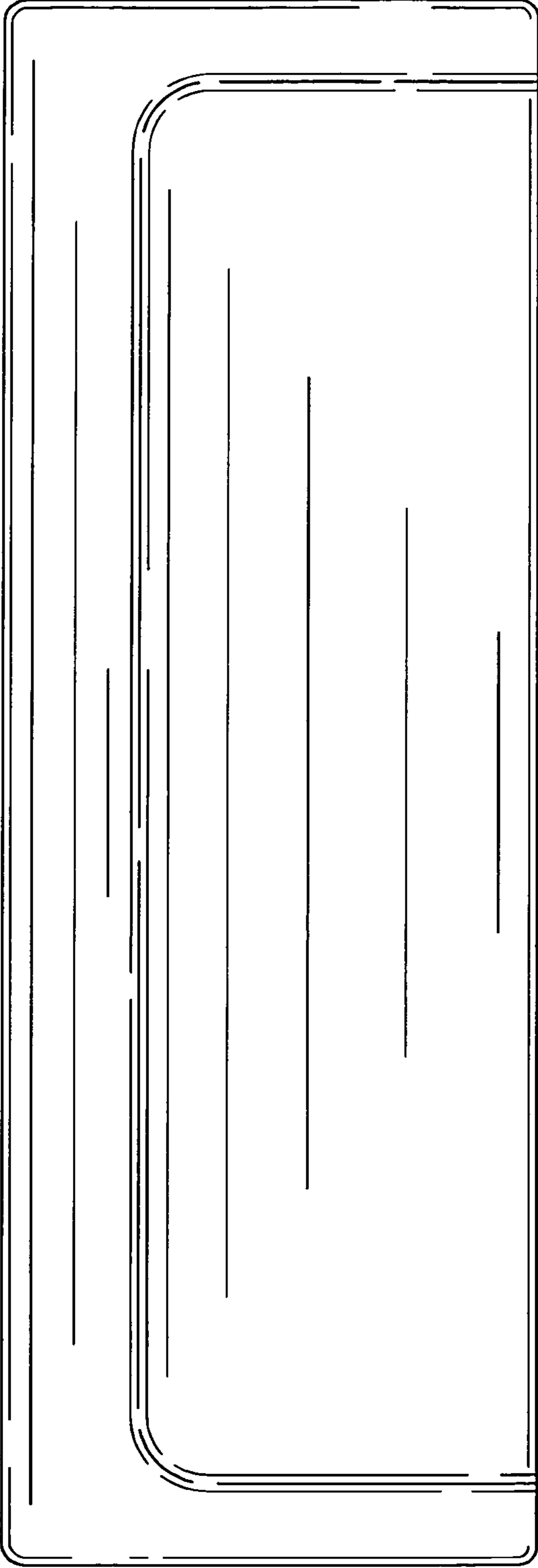


FIG. 3

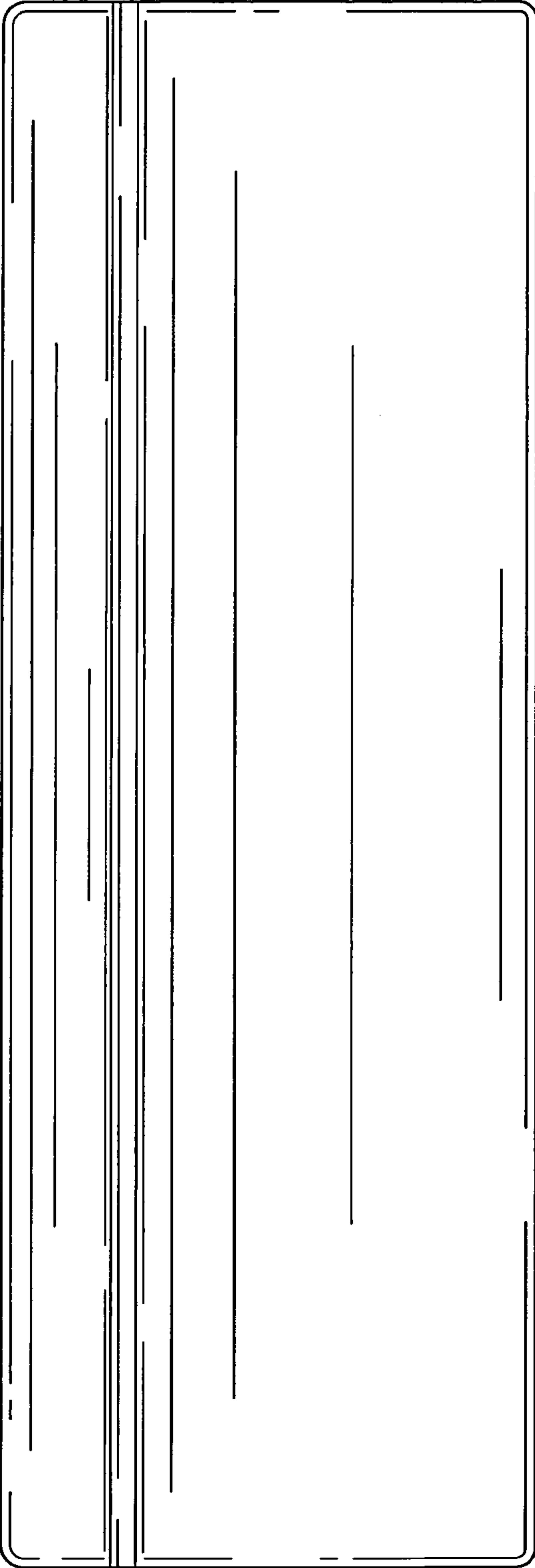


FIG. 4

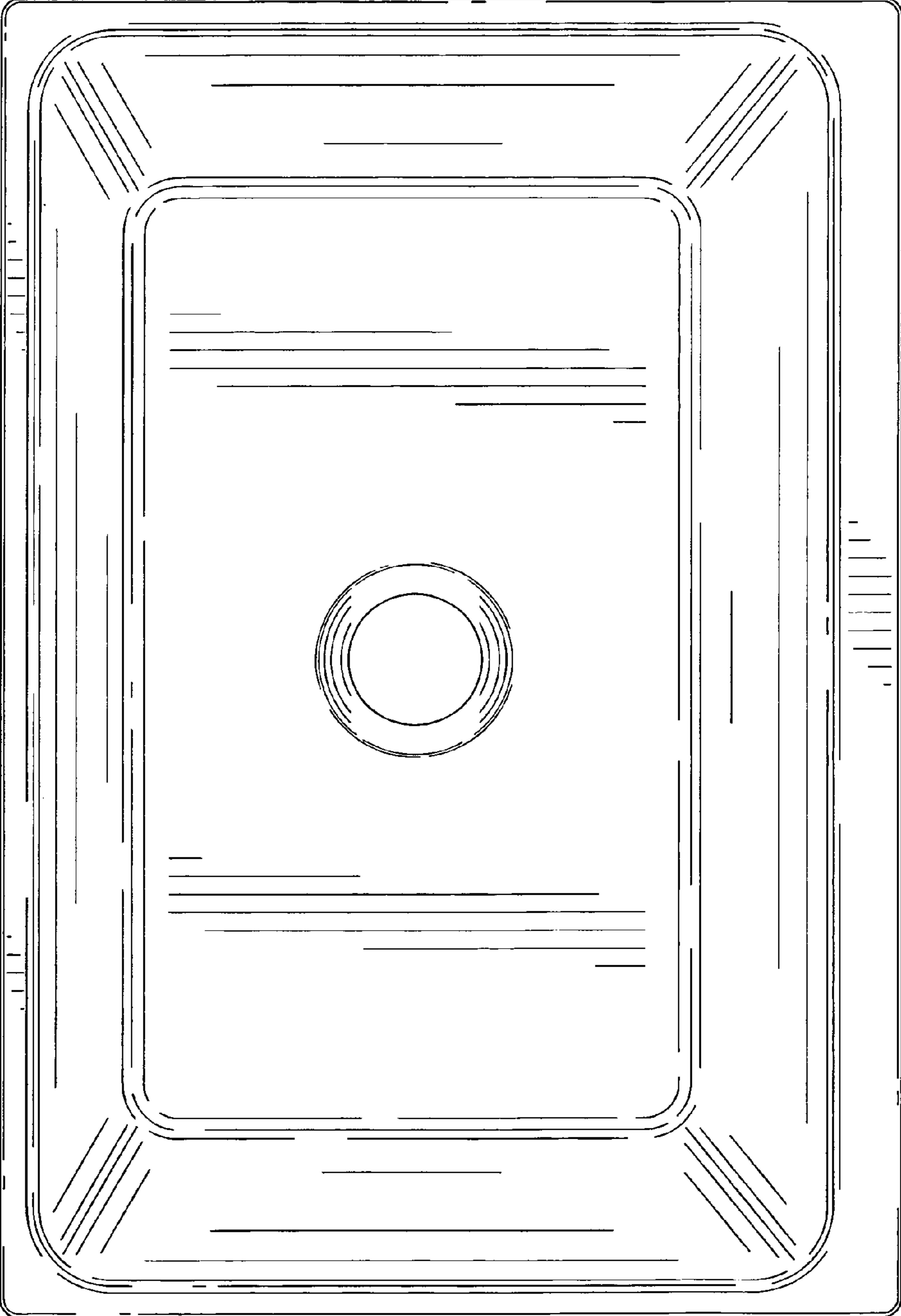


FIG. 5

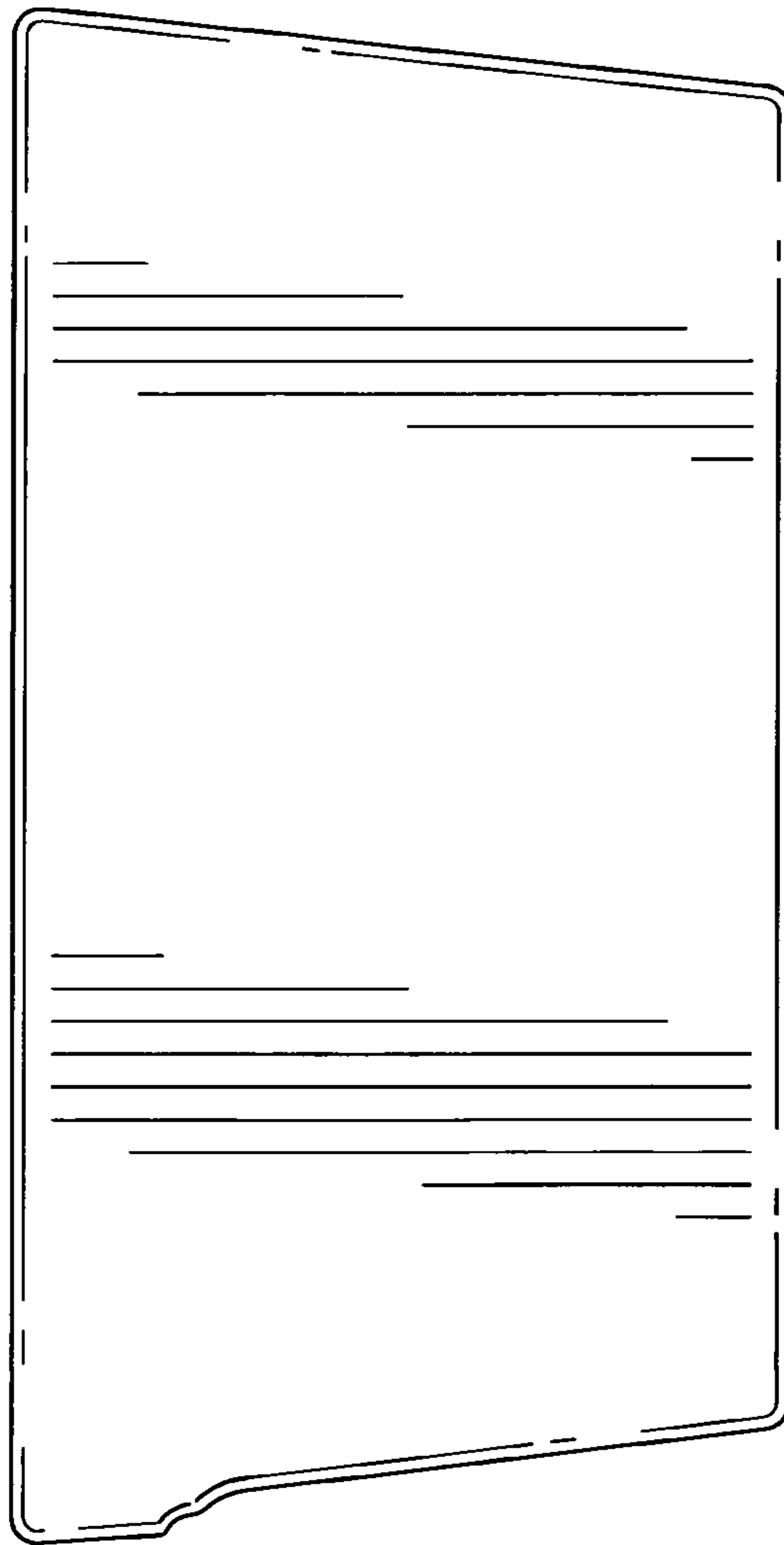


FIG. 6