



US00D705402S

(12) **United States Design Patent**
Yu

(10) **Patent No.:** **US D705,402 S**

(45) **Date of Patent:** **** May 20, 2014**

(54) **PIPE CONNECTOR**

(75) Inventor: **Vincent Yu**, Changhua County (TW)

(73) Assignee: **Bitpower International Co., Ltd.**,
Changhua County (TW)

(**) Term: **14 Years**

(21) Appl. No.: **29/411,167**

(22) Filed: **Jan. 18, 2012**

(51) **LOC (10) Cl.** **23-01**

(52) **U.S. Cl.**

USPC **D23/262**

(58) **Field of Classification Search**

CPC F16L 37/18; F16L 37/091; F16L 37/0925;
F16L 37/133; F16L 37/138; F16L 37/20;
F16L 37/00; F16L 15/004; F16L 15/06;
F16L 15/006; F16L 2201/20; F16L 2201/60;
F16L 2201/10; F16L 37/0985; F16L 27/0845;
F16L 43/008; F28F 9/0246; B29C 66/5229
USPC D23/245, 249, 254, 259–262; D8/382;
D13/155; D24/129; 285/86–93,
285/179–182

See application file for complete search history.

(56) **References Cited**

U.S. PATENT DOCUMENTS

266,722	A *	10/1882	Ring	285/27
511,161	A *	12/1893	Ricketts	285/45
986,905	A *	3/1911	Carlson	285/4
D52,954	S *	2/1919	Hubbard et al.	D13/155
1,346,425	A *	7/1920	Roth	285/75
1,706,525	A *	3/1929	Gullion	285/390
1,774,151	A *	8/1930	Olley	174/81
2,005,189	A *	6/1935	Herr	285/21.1
2,302,244	A *	11/1942	Morrell	285/22
2,406,235	A *	8/1946	McCoy	285/293.1
2,614,867	A *	10/1952	Artis, Jr.	285/44
2,966,372	A *	12/1960	Phillips	285/39
3,726,545	A *	4/1973	Grim et al.	285/3

4,201,048	A *	5/1980	Fisher et al.	60/322
D261,419	S *	10/1981	Moreland	D23/261
4,687,235	A *	8/1987	Stoll	285/281
D296,816	S *	7/1988	Budzinski et al.	D23/263
4,960,296	A *	10/1990	Thelen et al.	285/50
5,301,984	A *	4/1994	Farris	285/55
5,366,257	A *	11/1994	McPherson et al.	285/148.11
5,452,922	A *	9/1995	Ziu	285/123.1
5,718,461	A *	2/1998	Esser	285/179
D392,372	S *	3/1998	Saito et al.	D23/264
D407,467	S *	3/1999	McWilliams	D23/260
D427,667	S *	7/2000	Stout, Jr.	D23/262
D434,834	S *	12/2000	Goto	D23/262
D468,001	S *	12/2002	Teskey	D23/259

(Continued)

Primary Examiner — Eric Goodman

Assistant Examiner — John Reickel

(57) **CLAIM**

The ornamental design for a pipe connector, as shown (and described).

DESCRIPTION

FIG. 1 is a perspective view of a pipe connector showing my new design;

FIG. 2 is a front elevational view thereof;

FIG. 3 is a rear elevational view thereof;

FIG. 4 is a left side view thereof;

FIG. 5 is a right side view thereof;

FIG. 6 is a top plan view thereof;

FIG. 7 is a bottom plan view thereof;

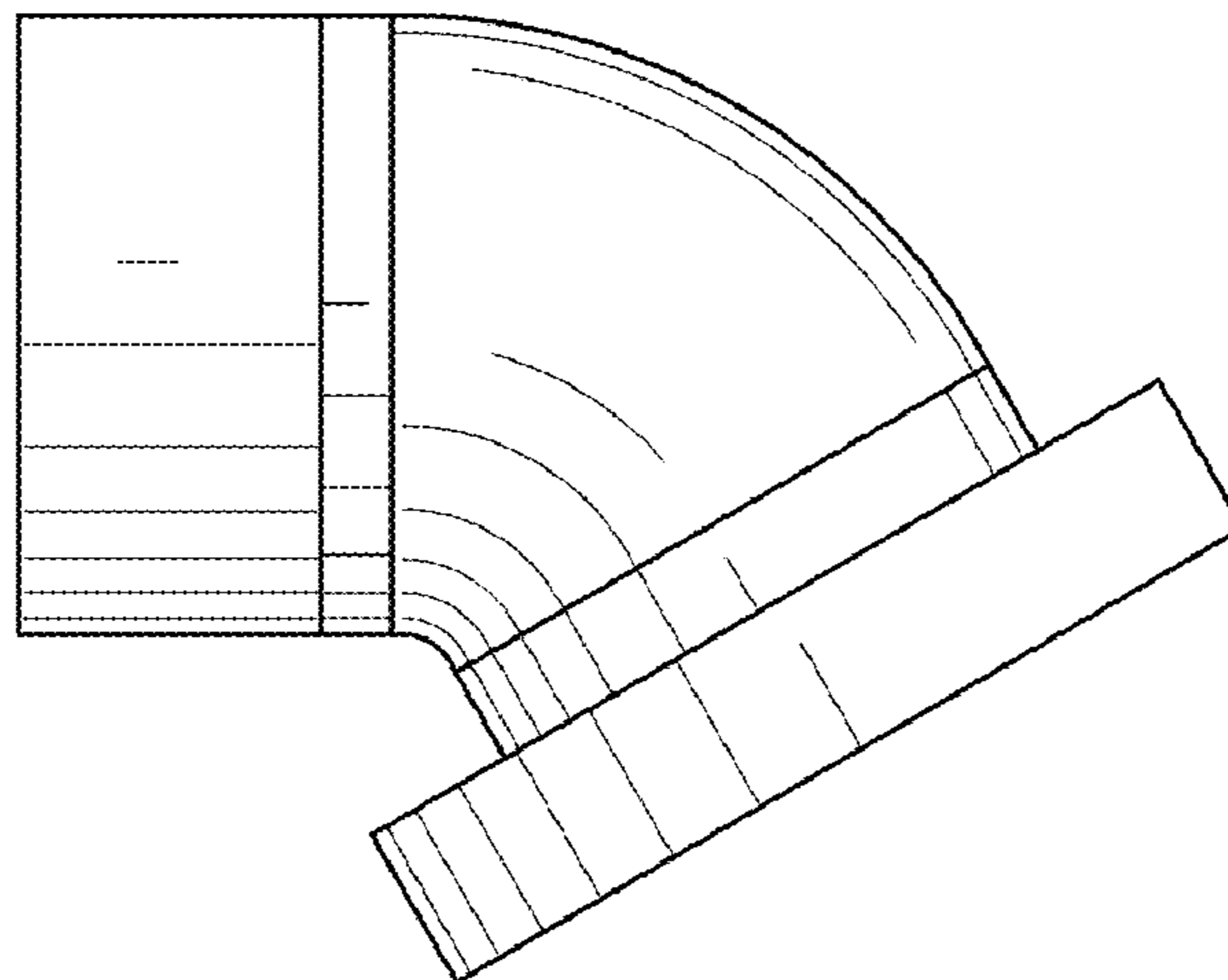
FIG. 8 is a front view for showing a pipe connected to the pipe connector;

FIG. 9 is a front view for showing the pipe connector to be further retracted; and,

FIG. 10 is a front view for showing another pipe connected to the pipe connector.

The broken line showing of pipe is included for the purpose of illustrating environmental structure and forms no part of the claimed design.

1 Claim, 6 Drawing Sheets



(56)

References Cited

U.S. PATENT DOCUMENTS

D480,787 S *	10/2003	Wilk et al.	D23/263	D613,826 S *	4/2010	Hall et al.	D23/259
D481,447 S *	10/2003	Dole et al.	D23/263	D615,631 S *	5/2010	Price et al.	D23/263
D482,103 S *	11/2003	Snyder et al.	D23/263	D627,863 S *	11/2010	Ball	D23/262
D517,666 S *	3/2006	Wilk et al.	D23/262	D651,304 S *	12/2011	Edwards et al.	D24/110.5
D523,123 S *	6/2006	Wilk et al.	D23/262	D665,062 S *	8/2012	Ball	D23/263
D556,899 S *	12/2007	Veliss et al.	D24/110.1	8,321,970 B2 *	12/2012	Ball	4/680
D561,302 S *	2/2008	Brockington et al.	D23/262	D676,941 S *	2/2013	Kluss et al.	D23/262
D586,433 S *	2/2009	Price et al.	D23/259	D691,717 S *	10/2013	Mclean et al.	D24/129
D598,985 S *	8/2009	Smith et al.	D23/259	2003/0116963 A1 *	6/2003	Teuscher et al.	285/179
				2007/0007763 A1 *	1/2007	Deaton	285/179
				2007/0151021 A1 *	7/2007	Shieh	4/675

* cited by examiner

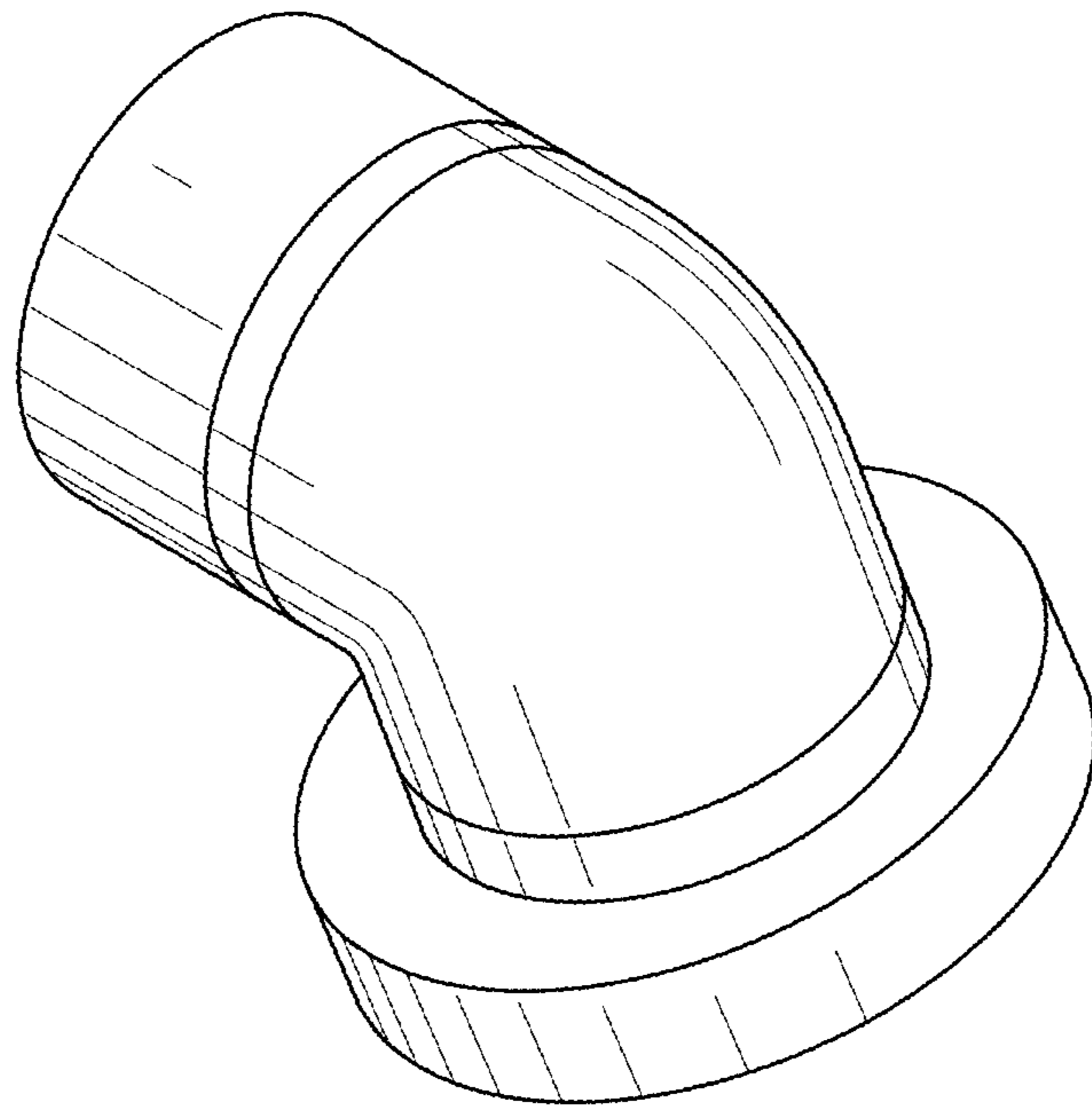


FIG. 1

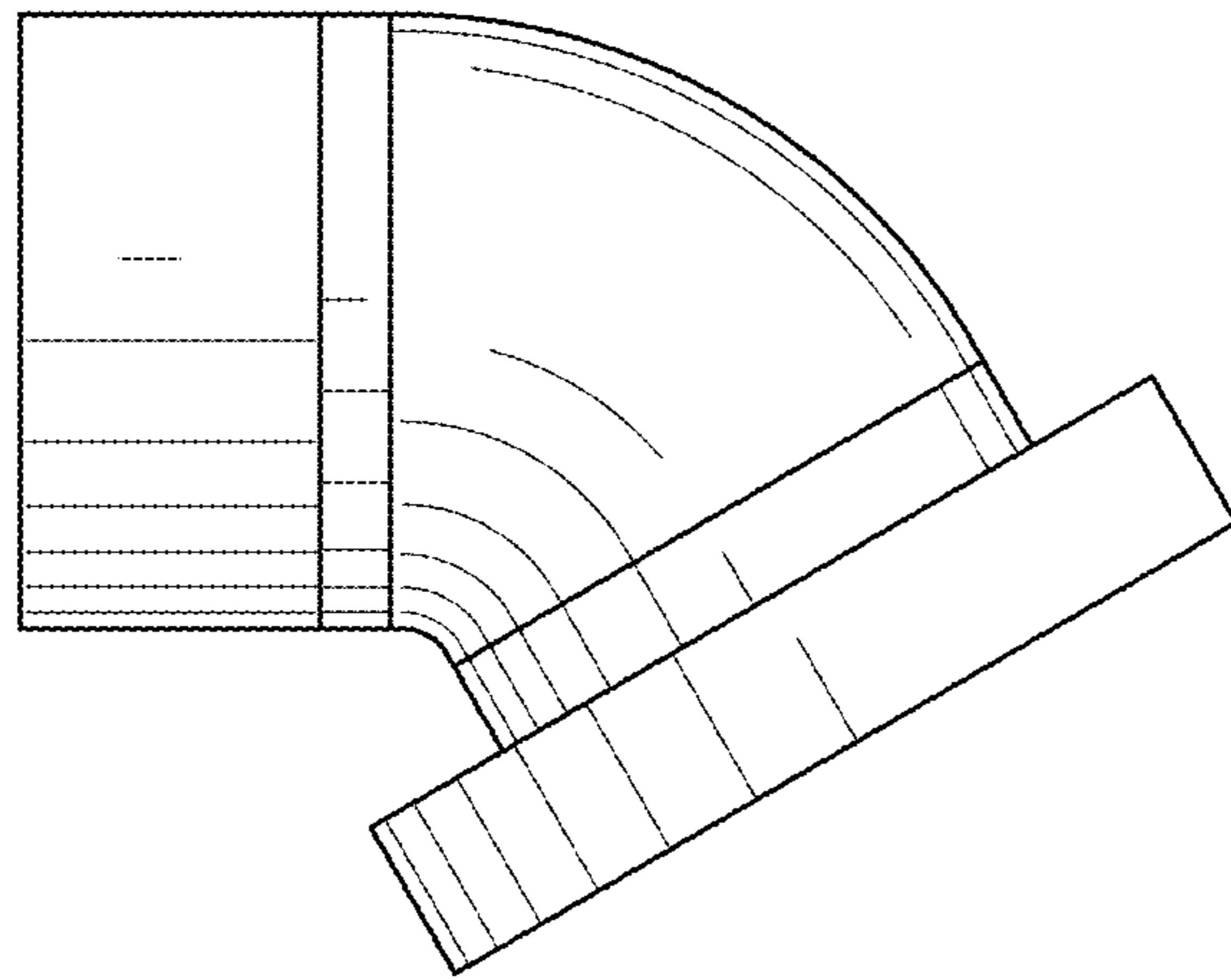


FIG. 2

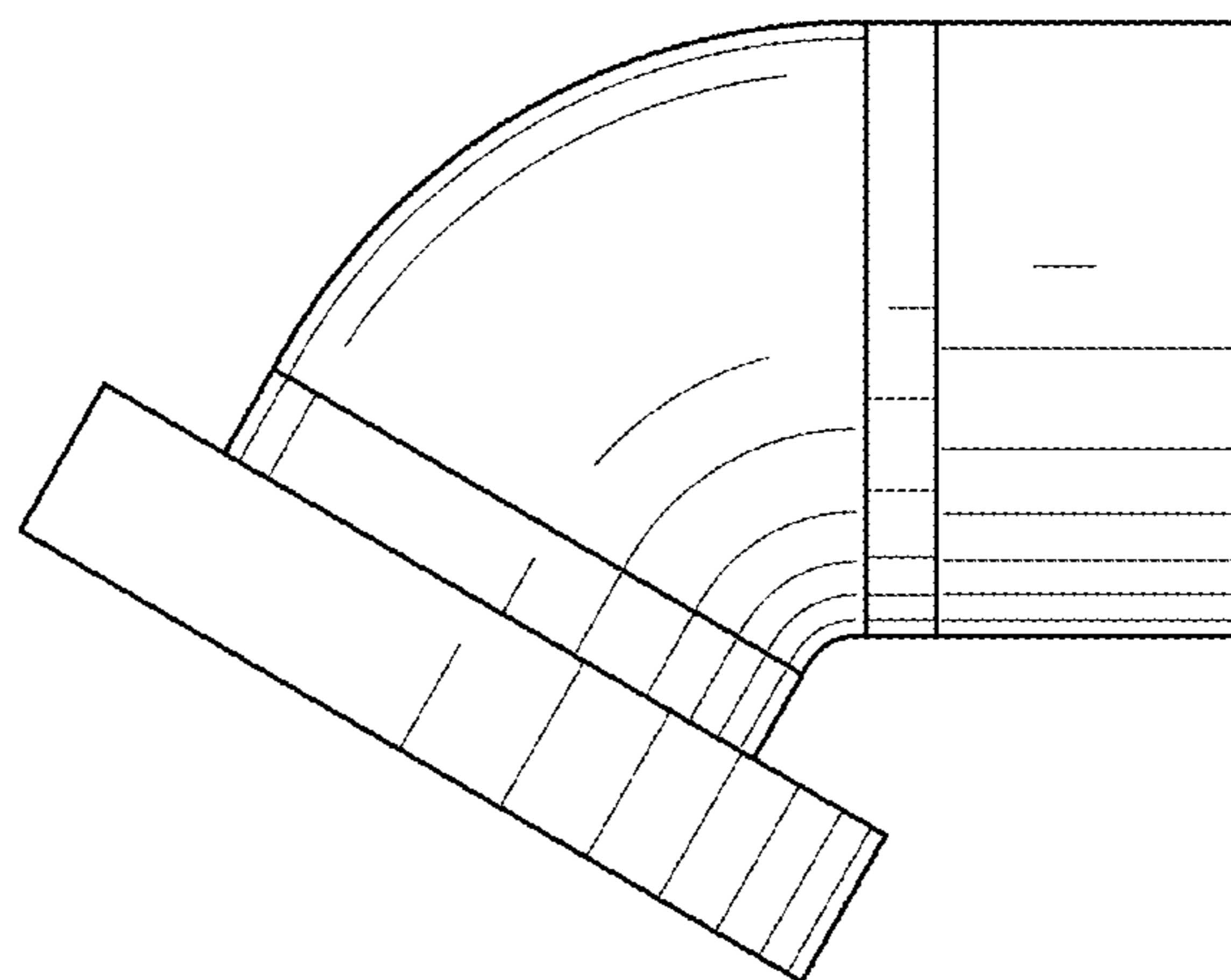


FIG. 3

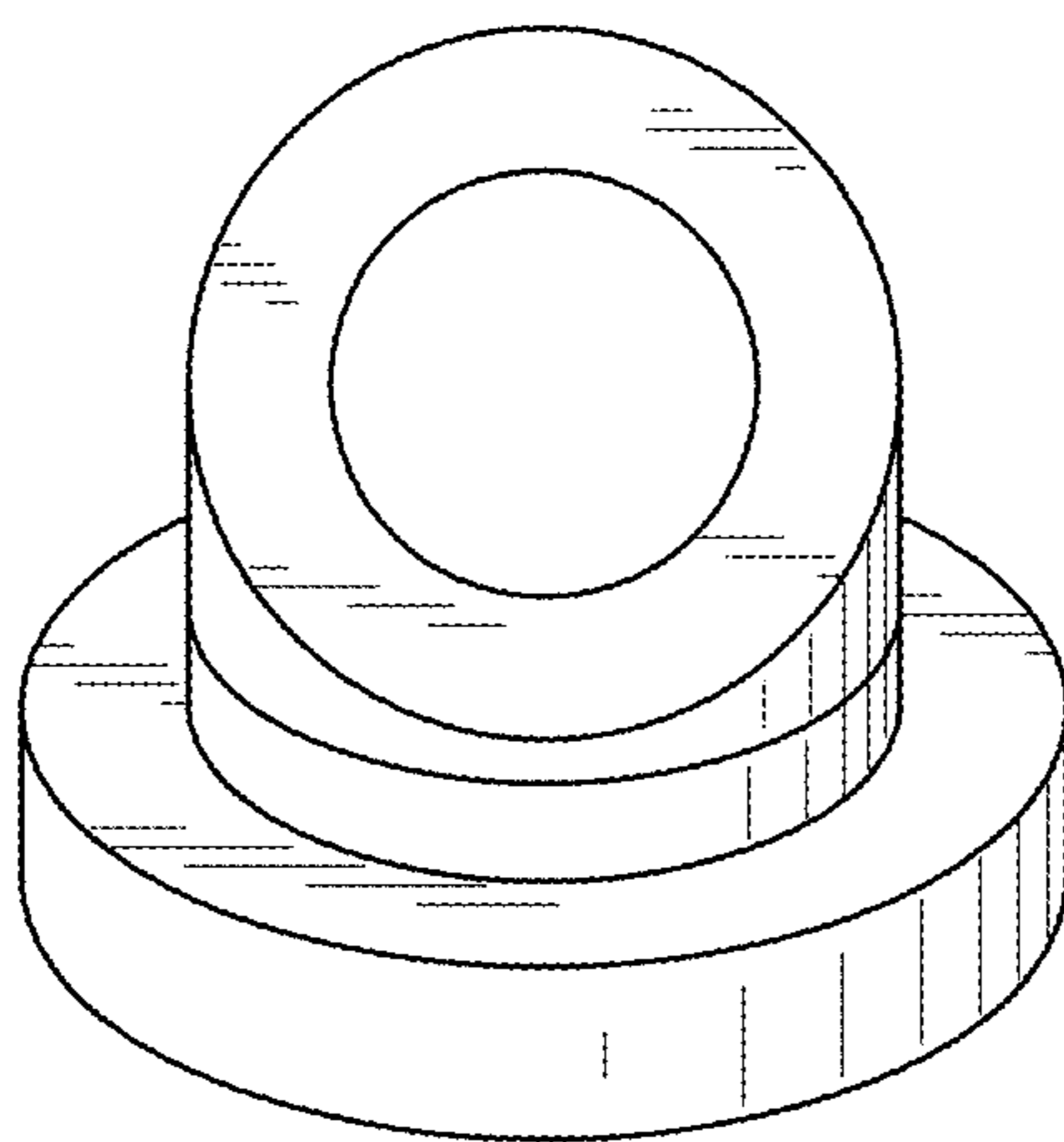


FIG. 4

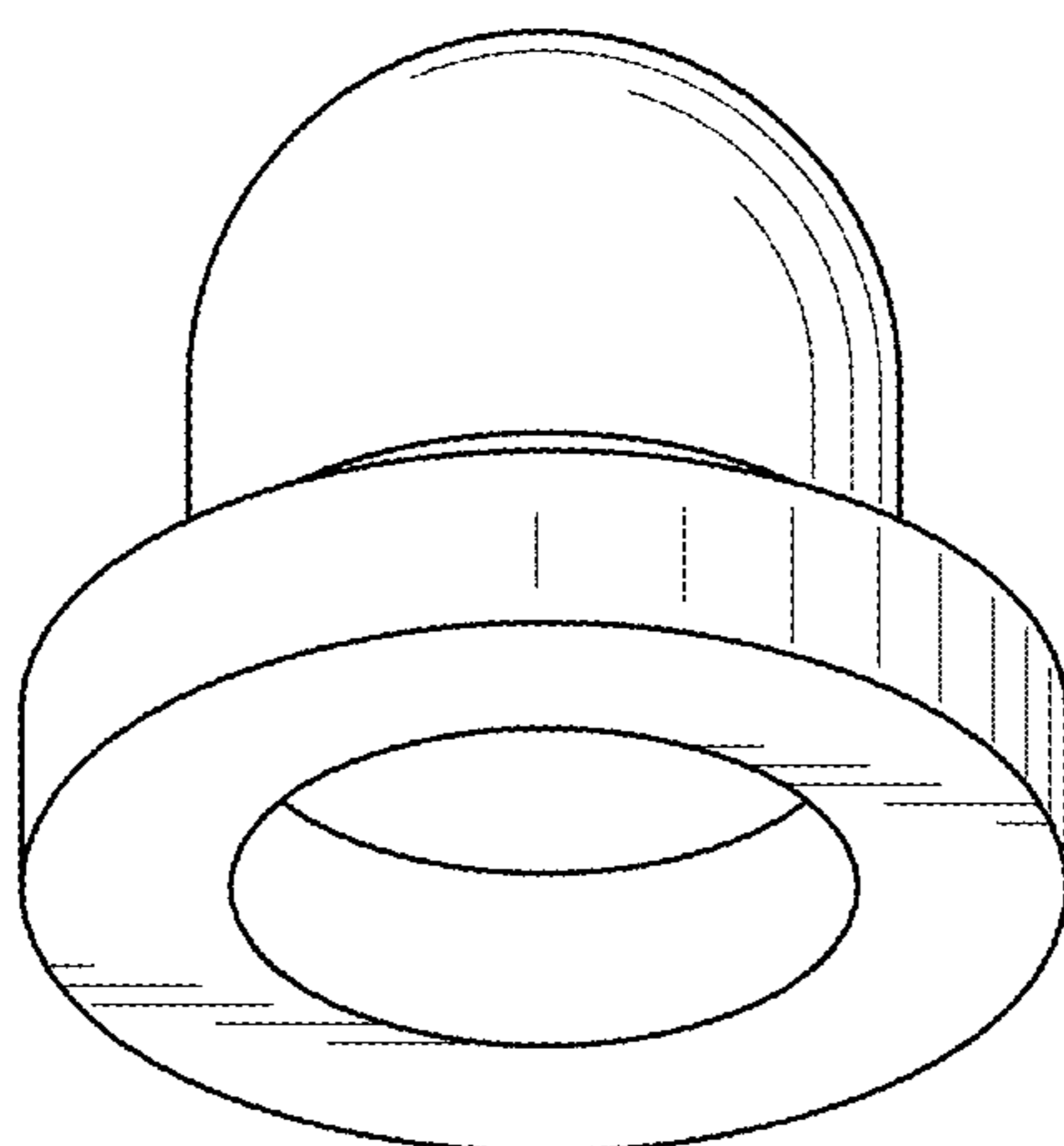


FIG. 5

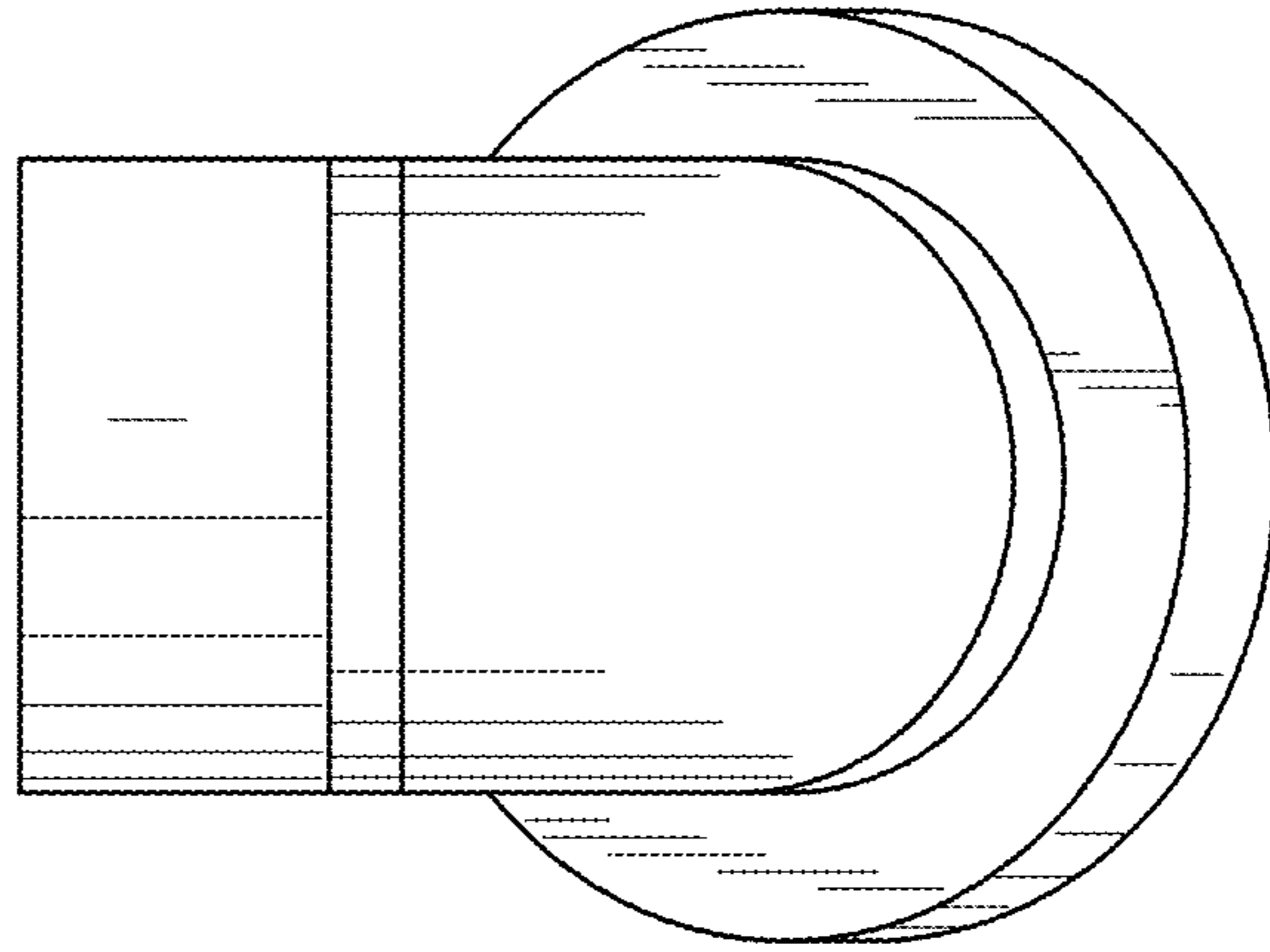


FIG. 6

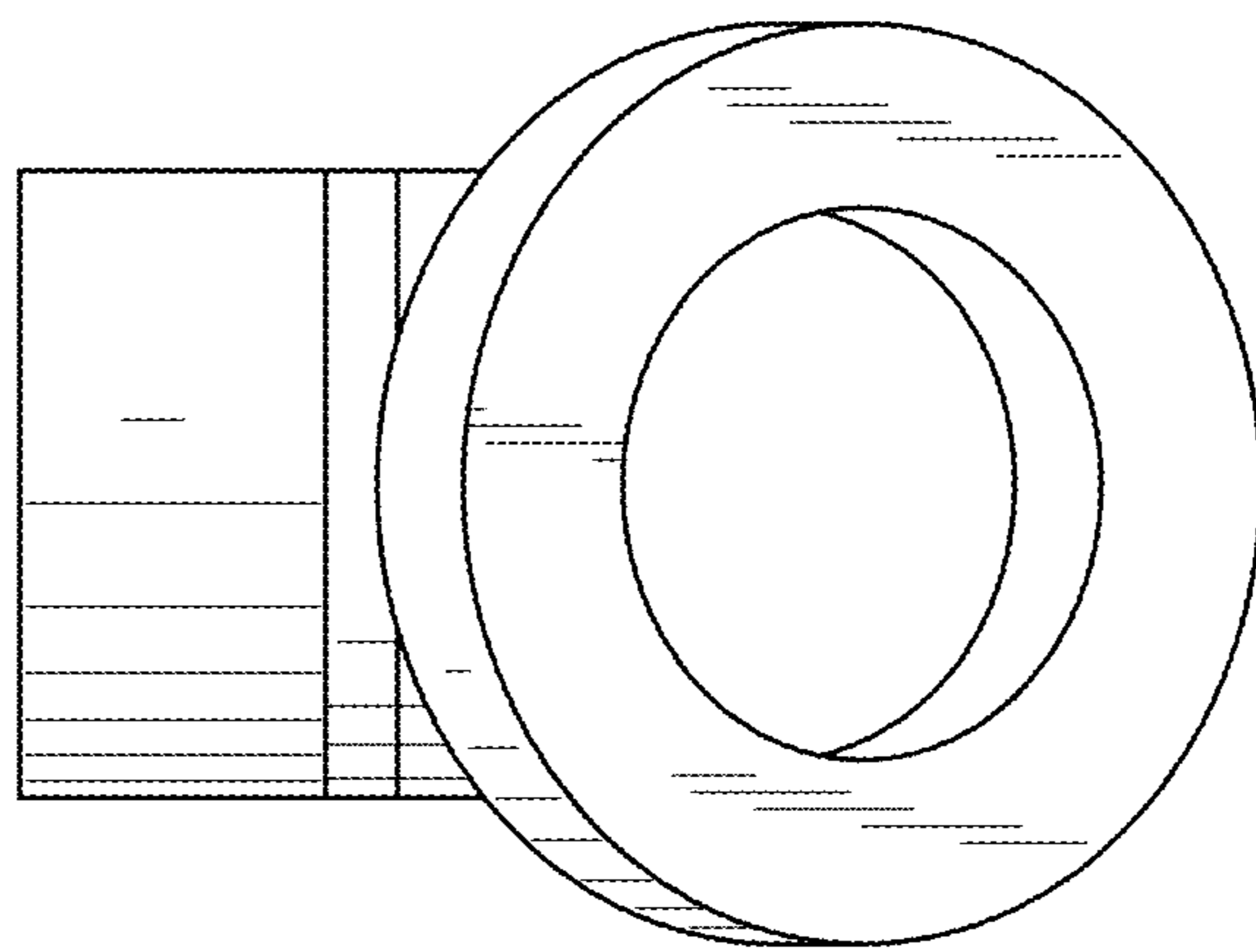


FIG. 7

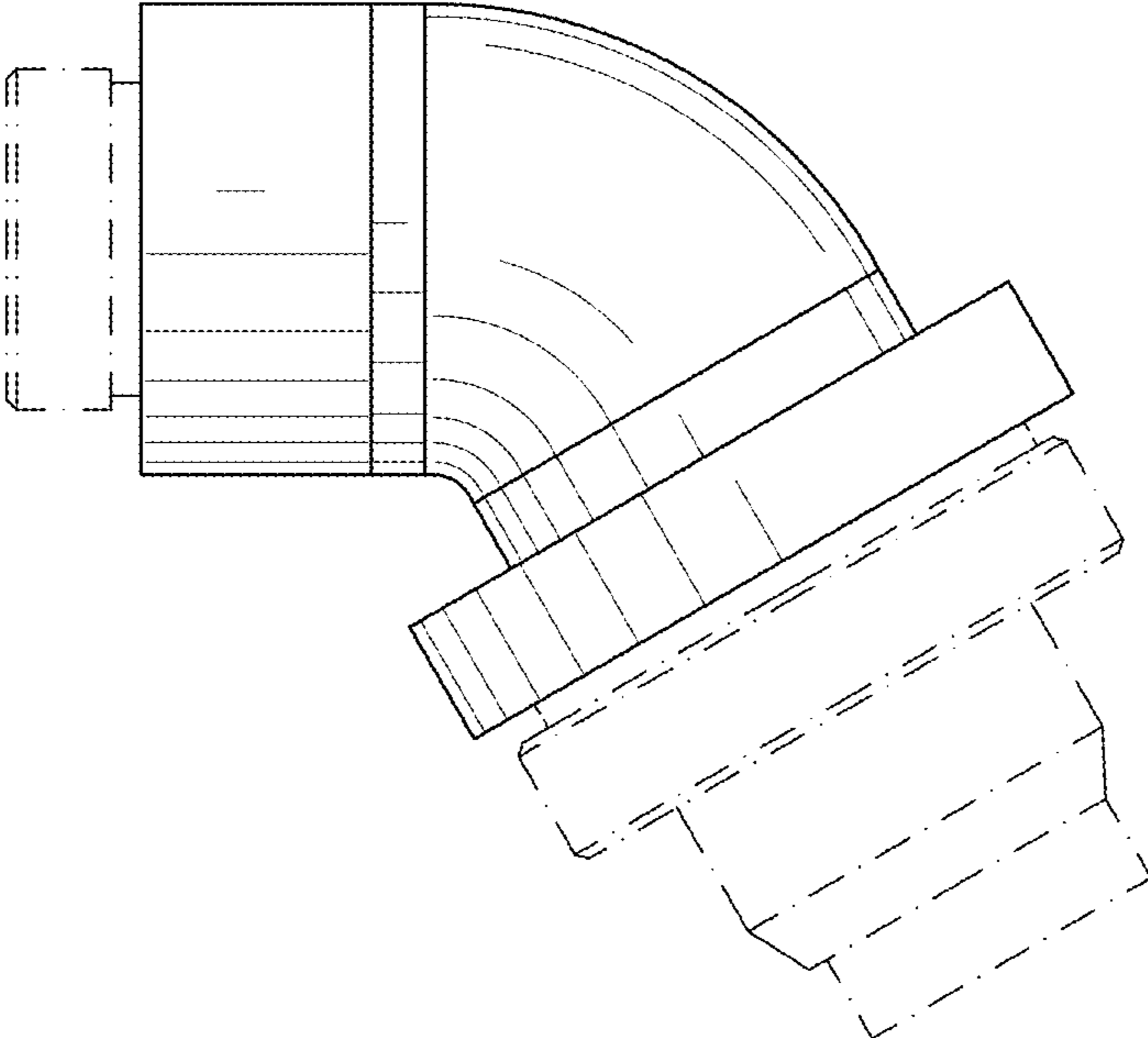


FIG. 8

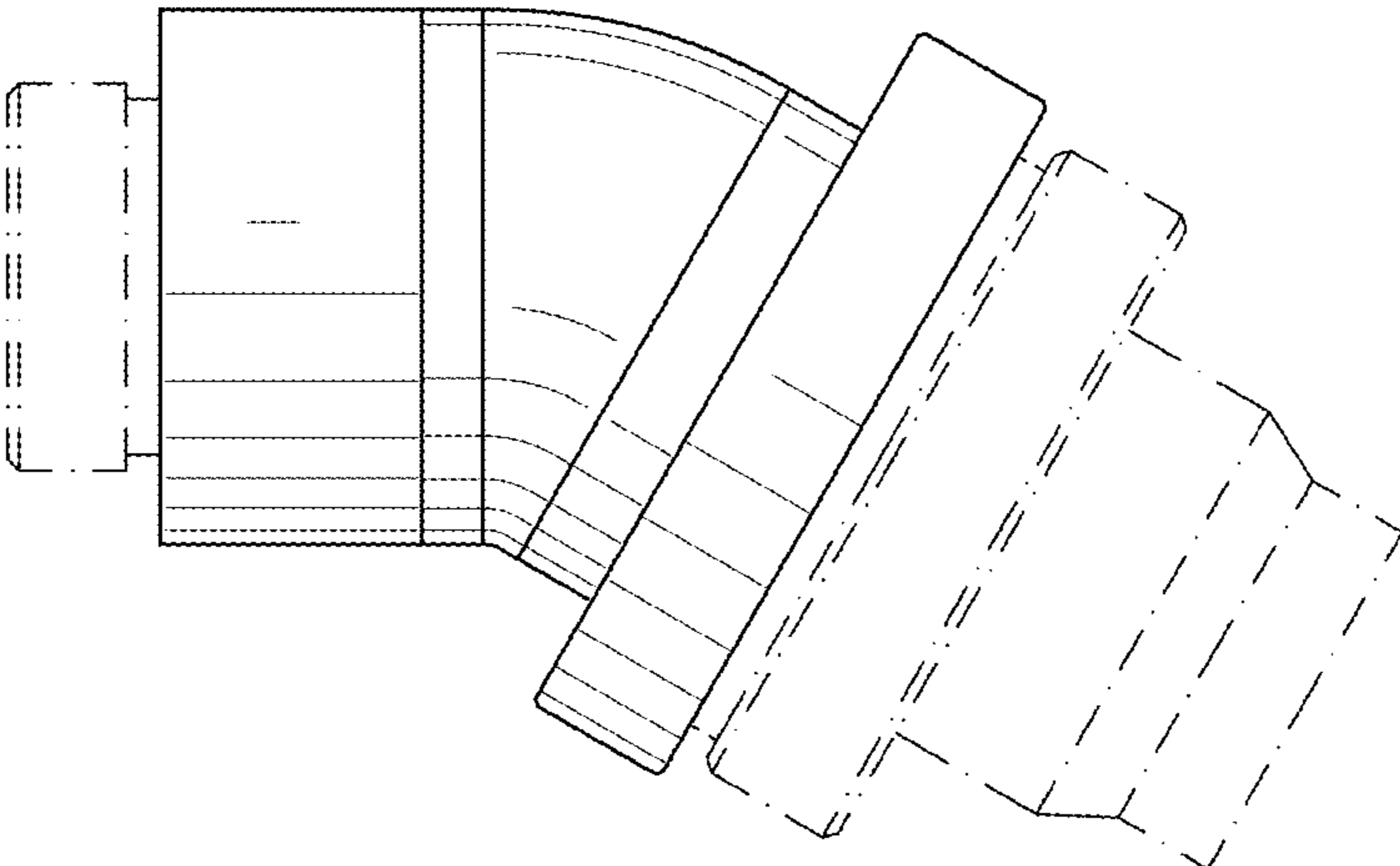


FIG. 9

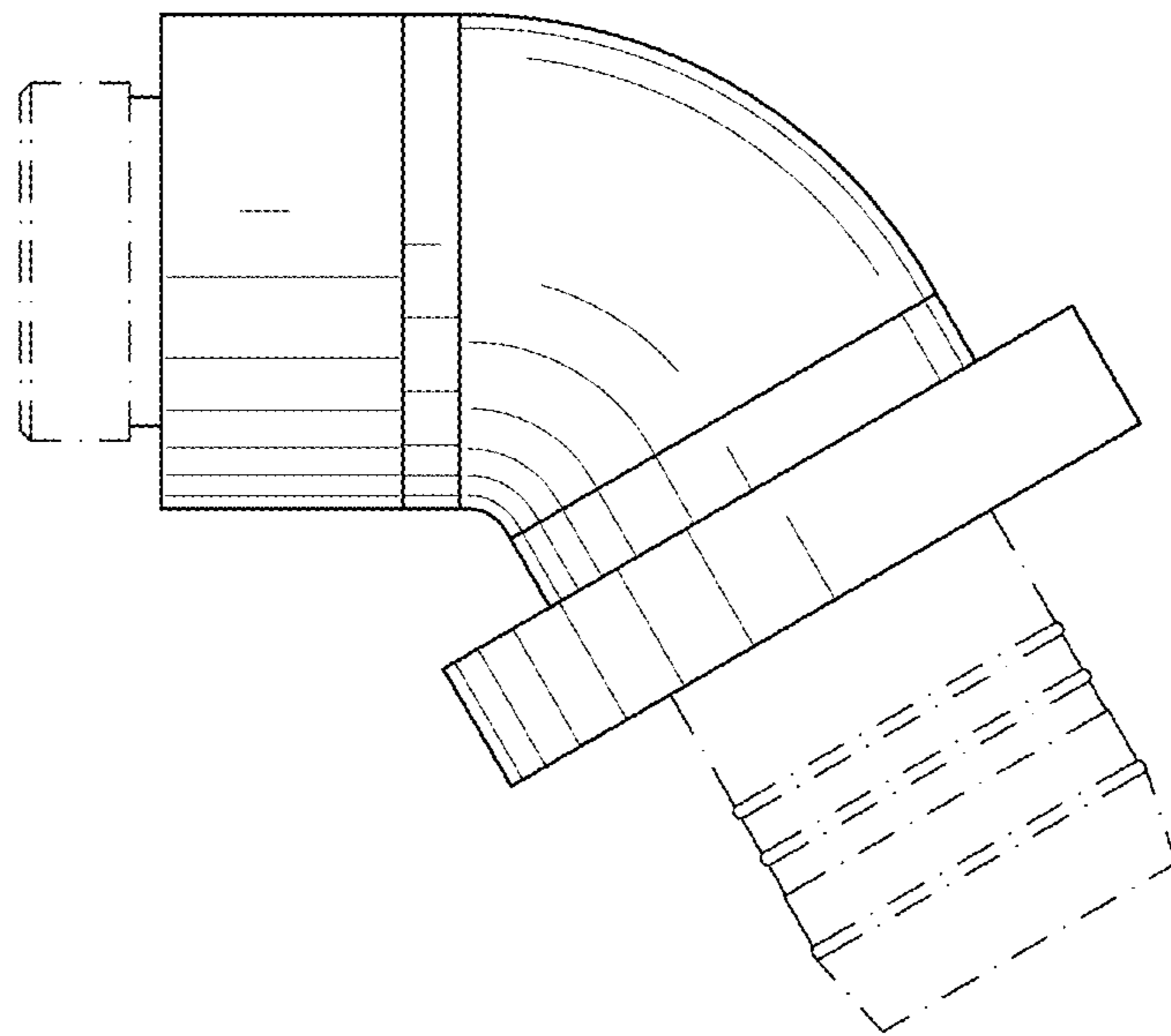


FIG. 10