



US00D705398S

(12) **United States Design Patent**  
**Flowers et al.**

(10) **Patent No.:** **US D705,398 S**  
(45) **Date of Patent:** **\*\* May 20, 2014**

(54) **SINK MIXER**

(71) Applicant: **Grohe AG**, Hemer (DE)  
(72) Inventors: **Paul Flowers**, Duesseldorf (DE); **Jochen Allard**, Menden (DE)  
(73) Assignee: **Grohe AG**, Hemer (DE)  
(\*\*) Term: **14 Years**  
(21) Appl. No.: **29/473,652**  
(22) Filed: **Nov. 25, 2013**

(30) **Foreign Application Priority Data**  
May 23, 2013 (EM) ..... 002242495-0001  
(51) **LOC (10) Cl.** ..... **23-01**  
(52) **U.S. Cl.**  
USPC ..... **D23/238**  
(58) **Field of Classification Search**  
USPC ..... D23/238-243, 249, 250, 252, 255;  
4/675-678; 137/801  
See application file for complete search history.

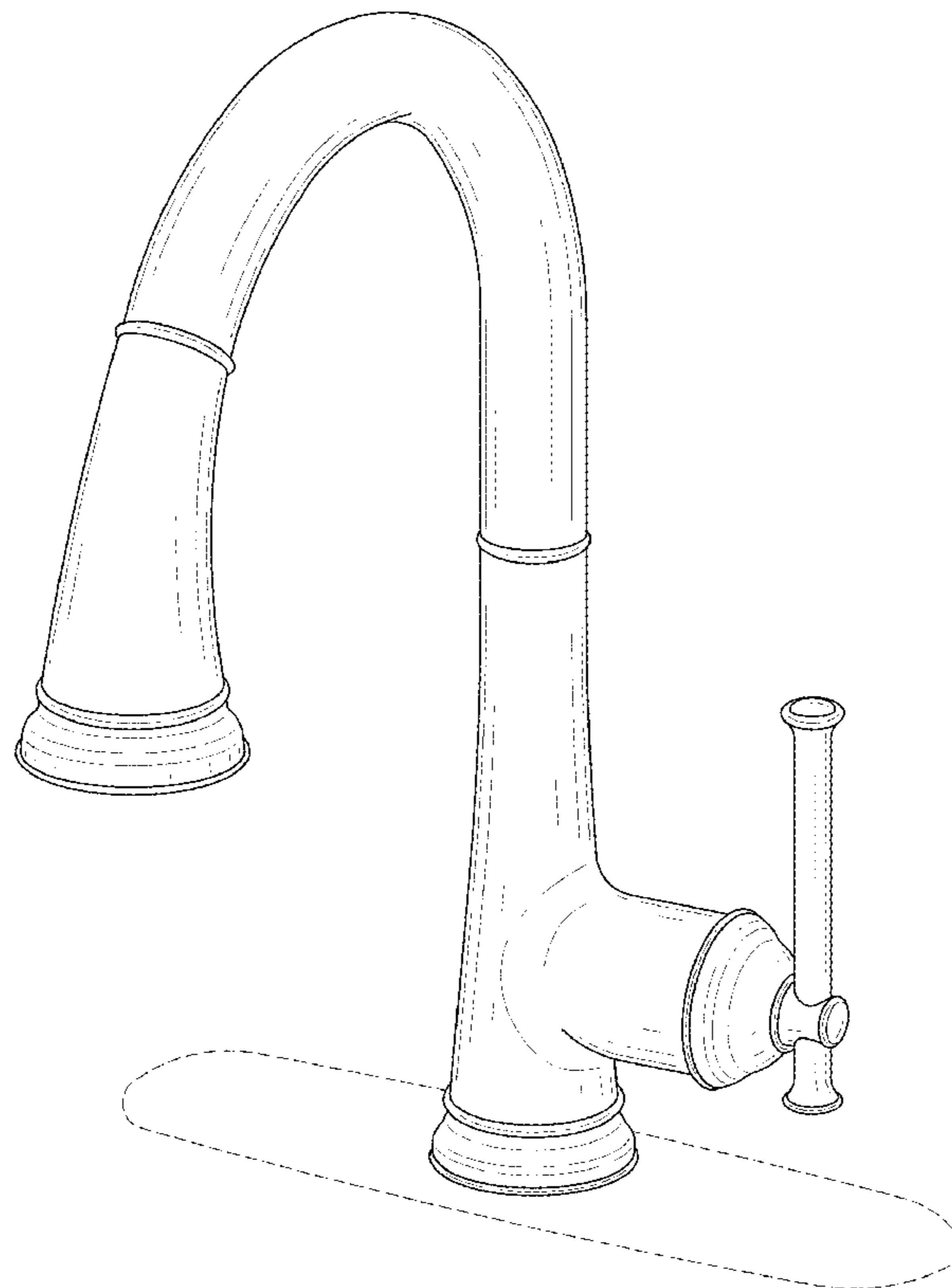
(56) **References Cited**  
U.S. PATENT DOCUMENTS  
D519,190 S \* 4/2006 Lord ..... D23/238  
D574,469 S \* 8/2008 Soriano ..... D23/255  
D582,522 S \* 12/2008 Hanna ..... D23/250  
D665,052 S \* 8/2012 Wang ..... D23/238  
\* cited by examiner  
*Primary Examiner* — Robert Delehanty  
(74) *Attorney, Agent, or Firm* — Muncy, Geissler, Olds & Lowe, P.C.

(57) **CLAIM**  
The ornamental design for a sink mixer, as shown and described.

**DESCRIPTION**

FIG. 1 is a perspective view of a sink mixer according to the present invention.  
FIG. 2 is a front view of the sink mixer of FIG. 1.  
FIG. 3 is a rear view of the sink mixer of FIG. 1.  
FIG. 4 is a left side view of the sink mixer of FIG. 1.  
FIG. 5 is a right side view of the sink mixer of FIG. 1.  
FIG. 6 is a top plan view of the sink mixer of FIG. 1; and, FIG. 7 is a bottom plan view of the sink mixer of FIG. 1.  
The dashed lines illustrate environment that does not form a part of the present invention, and no claim is made to the material illustrated with dashed lines.

**1 Claim, 7 Drawing Sheets**



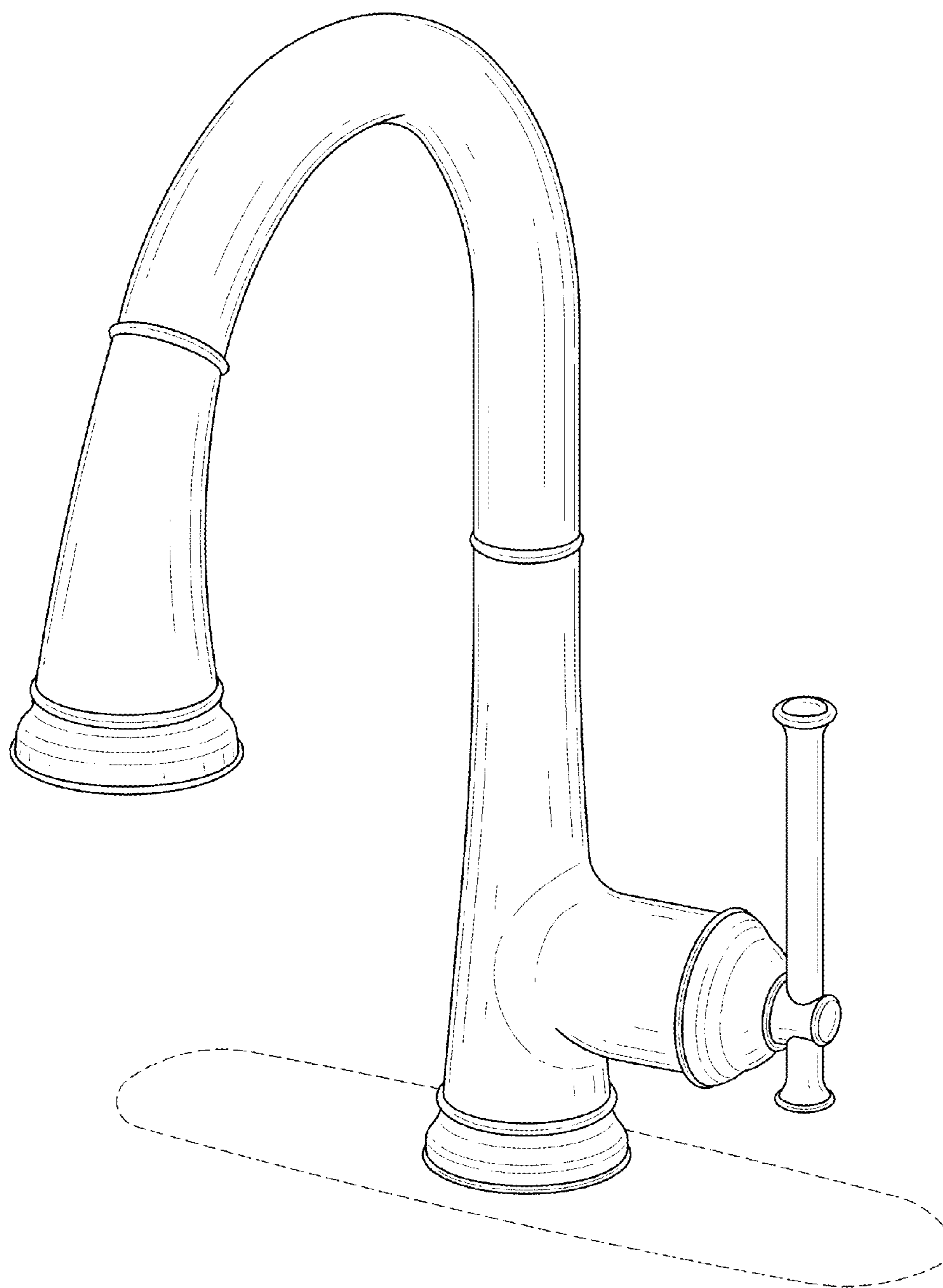


FIG. 1

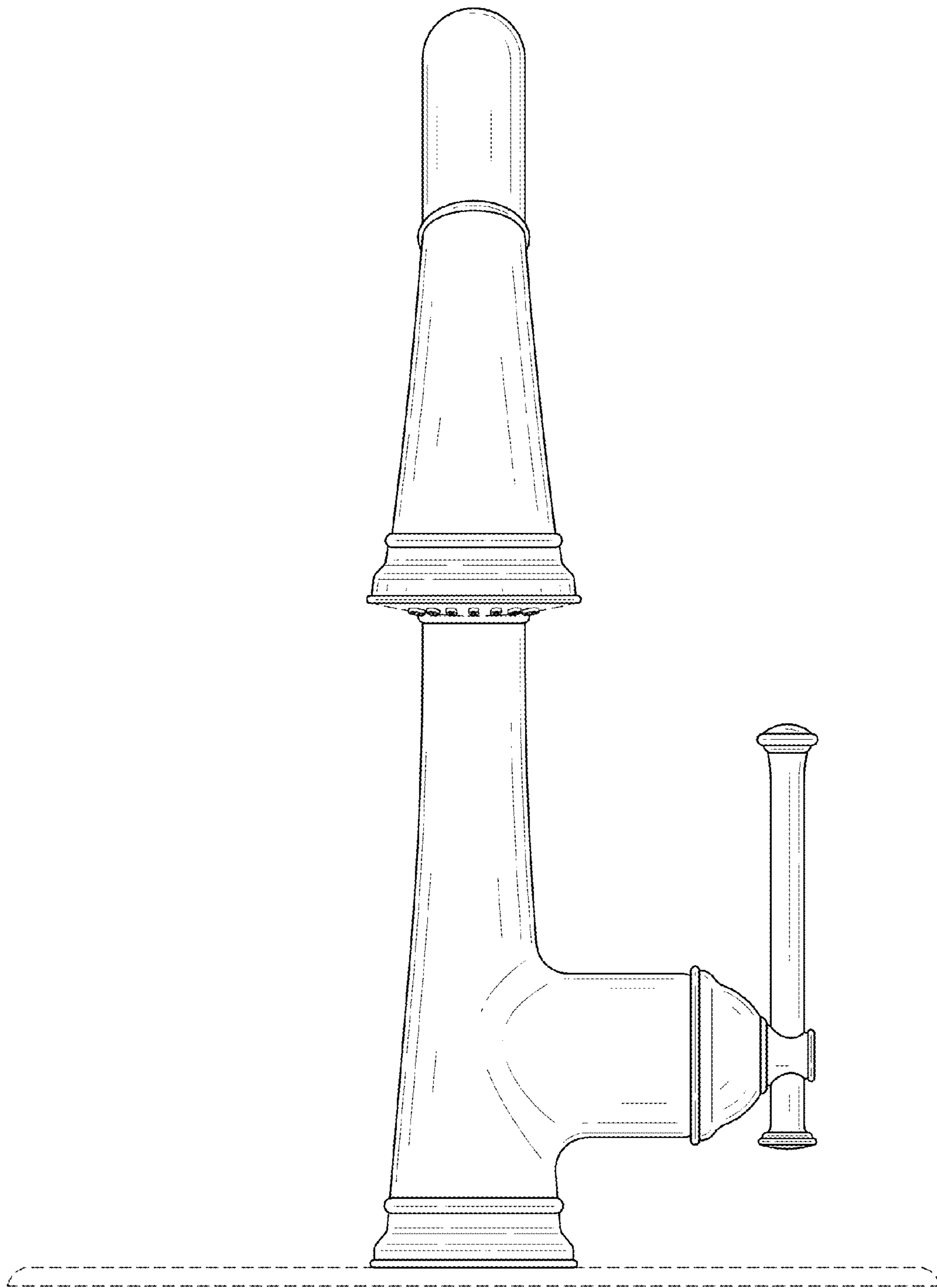


FIG.2

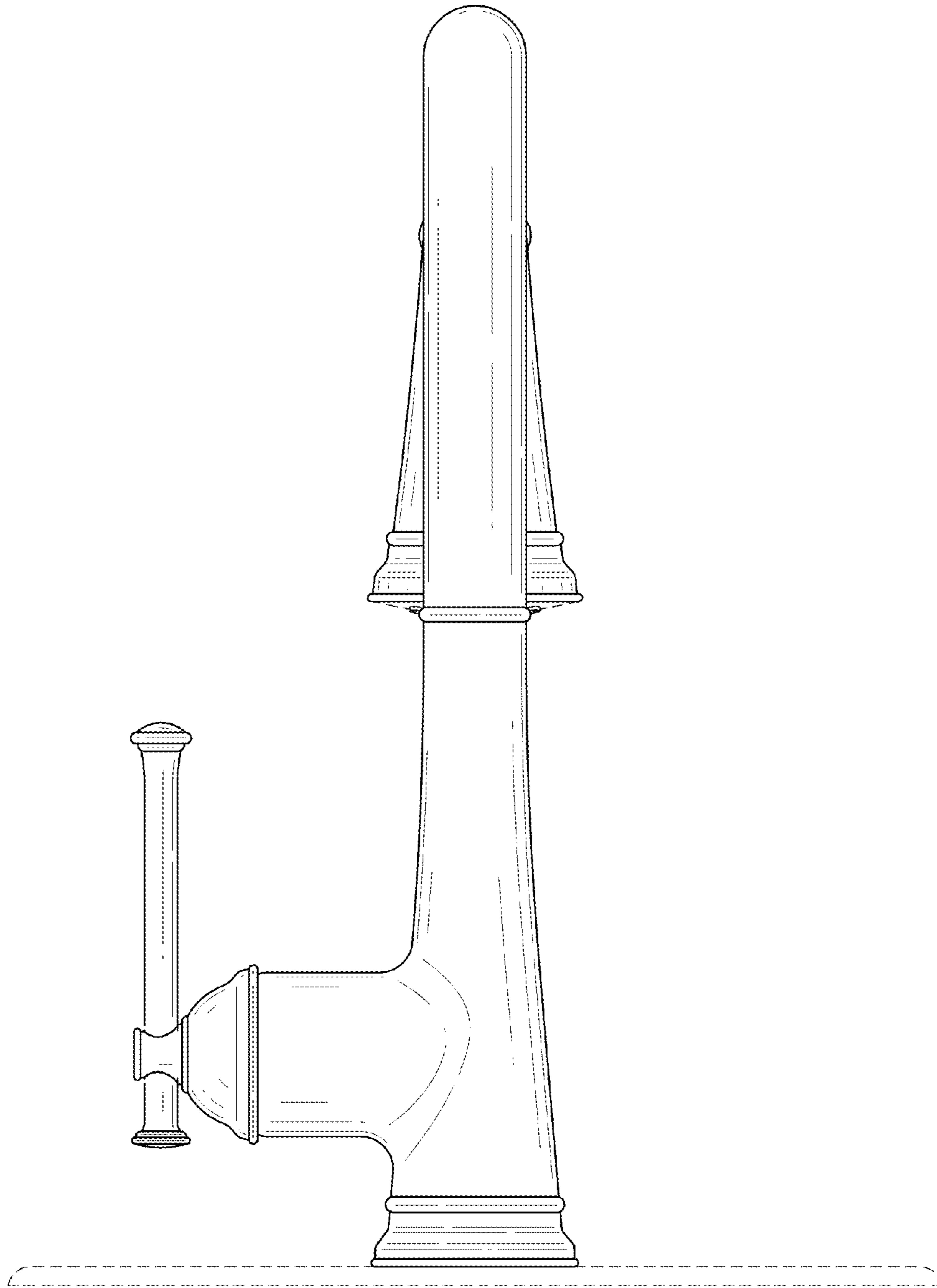


FIG.3

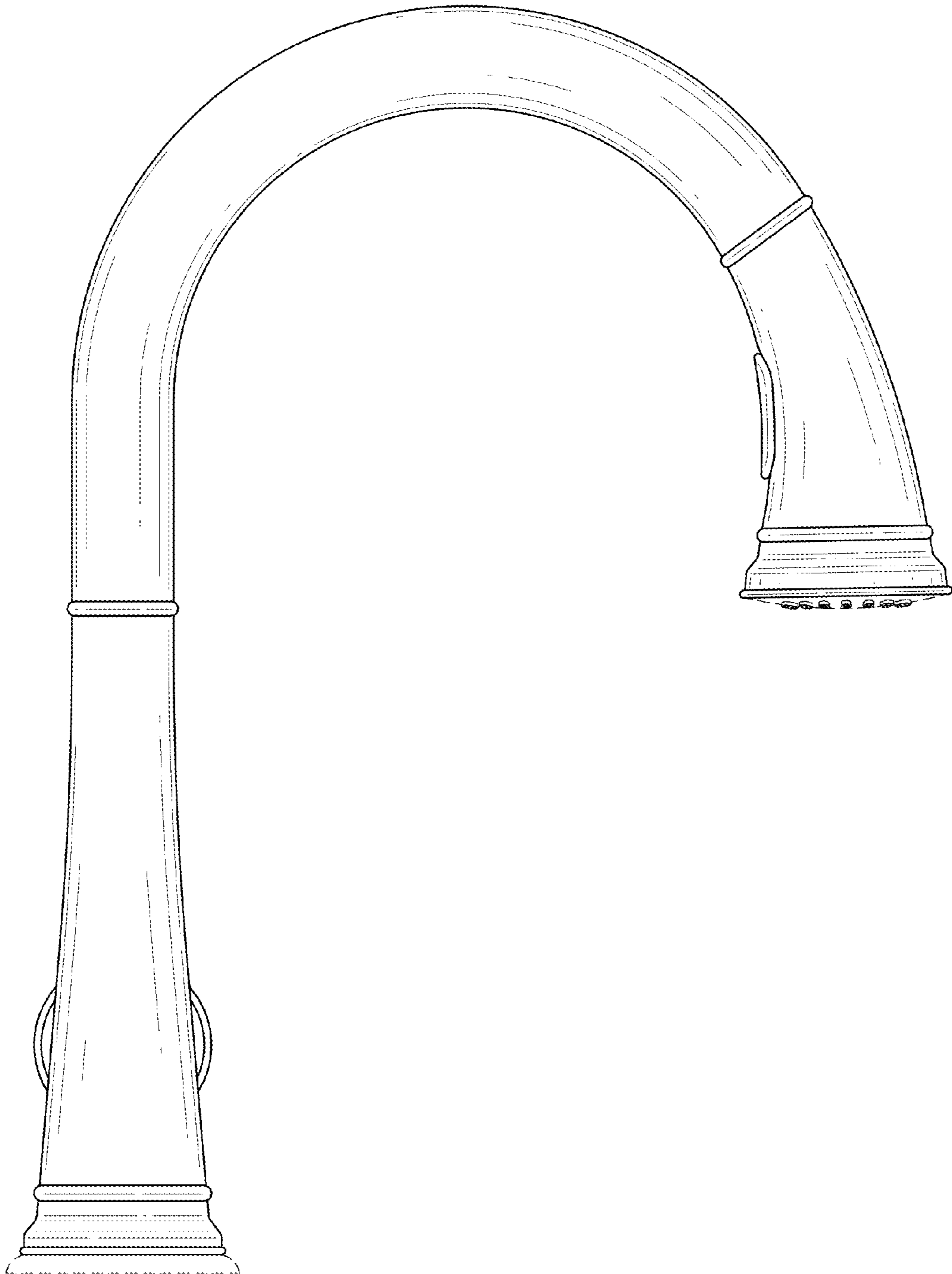


FIG.4

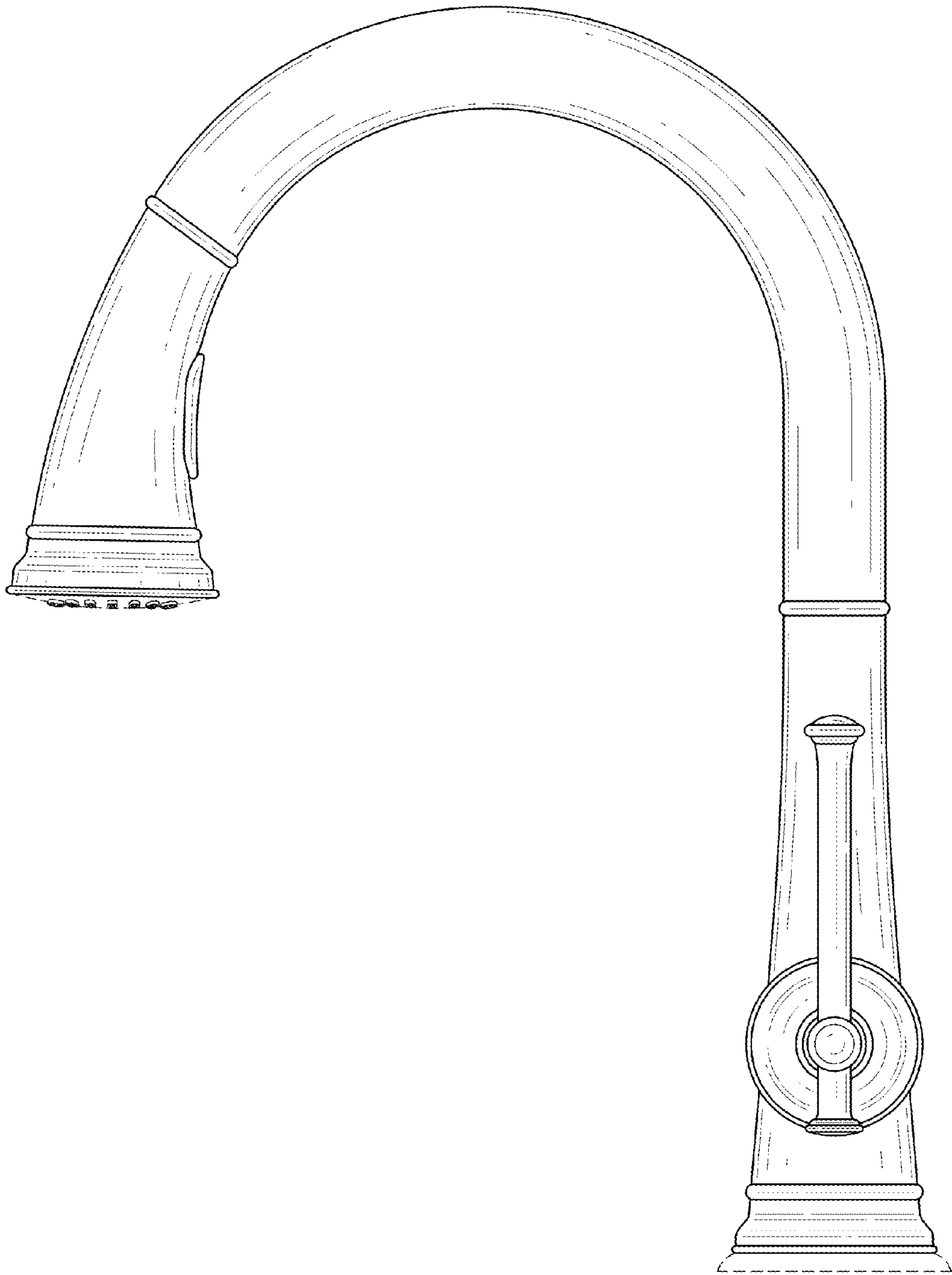


FIG.5

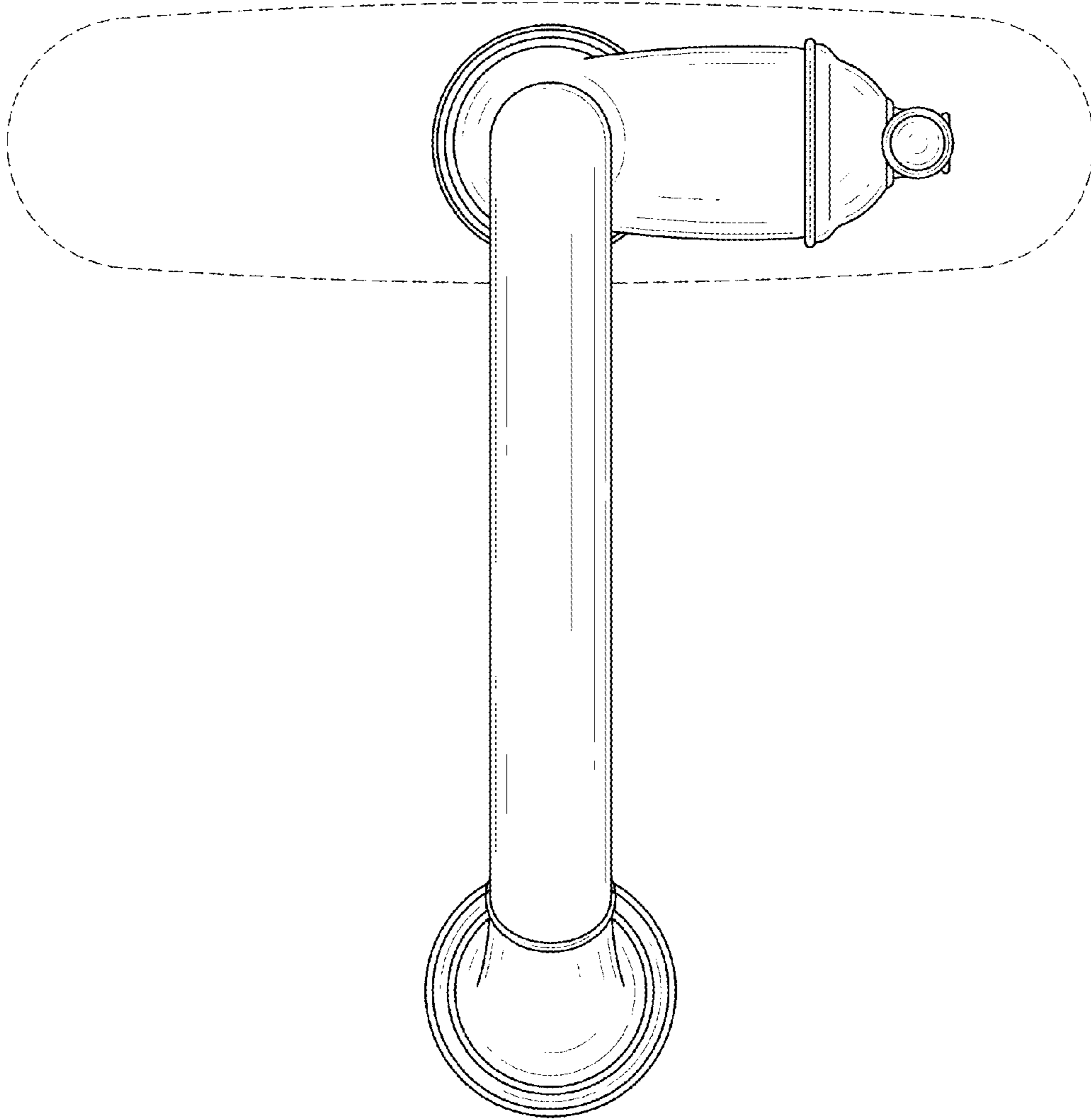


FIG.6

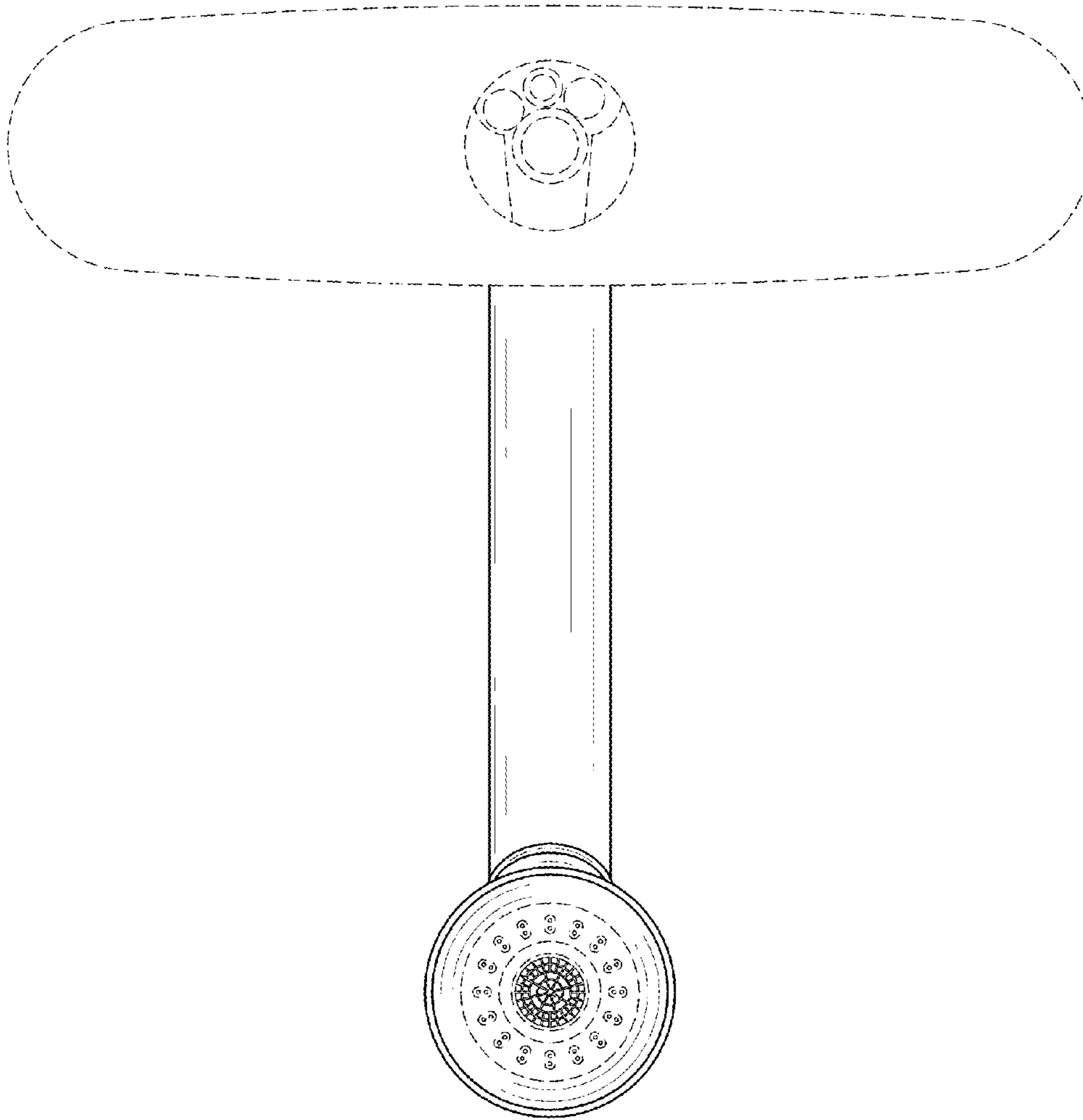


FIG.7