



US00D705397S

(12) **United States Design Patent**  
**Gessi**

(10) **Patent No.:** **US D705,397 S**

(45) **Date of Patent:** **\*\* May 20, 2014**

(54) **FAUCET**

(71) Applicant: **Gessi S.p.A.**, Serravalle Sesia (IT)

(72) Inventor: **Gian Luca Gessi**, Borgosesia (IT)

(73) Assignee: **Gessi S.p.A.**, Serravalle Sesia (IT)

(\*\*) Term: **14 Years**

(21) Appl. No.: **29/457,578**

(22) Filed: **Jun. 11, 2013**

D484,575 S	12/2003	Graves et al.	
D529,992 S	10/2006	Lammel	
D530,395 S	10/2006	Lammel	
D538,894 S	3/2007	Hoernig	
D541,906 S	5/2007	Qing	
D596,711 S	7/2009	Sieger	
D602,121 S	10/2009	Yabe et al.	
D607,545 S	1/2010	Obara	
D608,419 S	1/2010	Kohler et al.	
D625,393 S	10/2010	Sieger	
D636,066 S	4/2011	Schoenherr et al.	
D645,938 S	9/2011	Ando et al.	
D659,807 S *	5/2012	Flowers et al.	D23/255
D690,393 S *	9/2013	Gessi	D23/238
D691,242 S *	10/2013	Gessi	D23/238

(30) **Foreign Application Priority Data**

Dec. 13, 2012 (IT) ..... MI2012O0196

(51) **LOC (10) Cl.** ..... **23-01**

(52) **U.S. Cl.**  
USPC ..... **D23/238**

(58) **Field of Classification Search**  
USPC ..... D23/238–243, 249, 250, 252–253, 255,  
D23/257; 4/675–678; 137/801  
See application file for complete search history.

(56) **References Cited**

**U.S. PATENT DOCUMENTS**

D317,645 S	6/1991	Rosenbaum
D320,433 S	10/1991	Knapp et al.
D390,917 S	2/1998	Kergoet
D448,066 S	9/2001	Zetsche
D462,421 S	9/2002	Hudley
D484,220 S	12/2003	Graves et al.

\* cited by examiner

*Primary Examiner* — Robert Delehanty

(74) *Attorney, Agent, or Firm* — Pearne & Gordon LLP

(57) **CLAIM**

The ornamental design for a faucet, as shown and described.

**DESCRIPTION**

FIG. 1 is a front-left perspective view of a faucet, showing my new design;

FIG. 2 is a right side view thereof;

FIG. 3 is a left side view thereof;

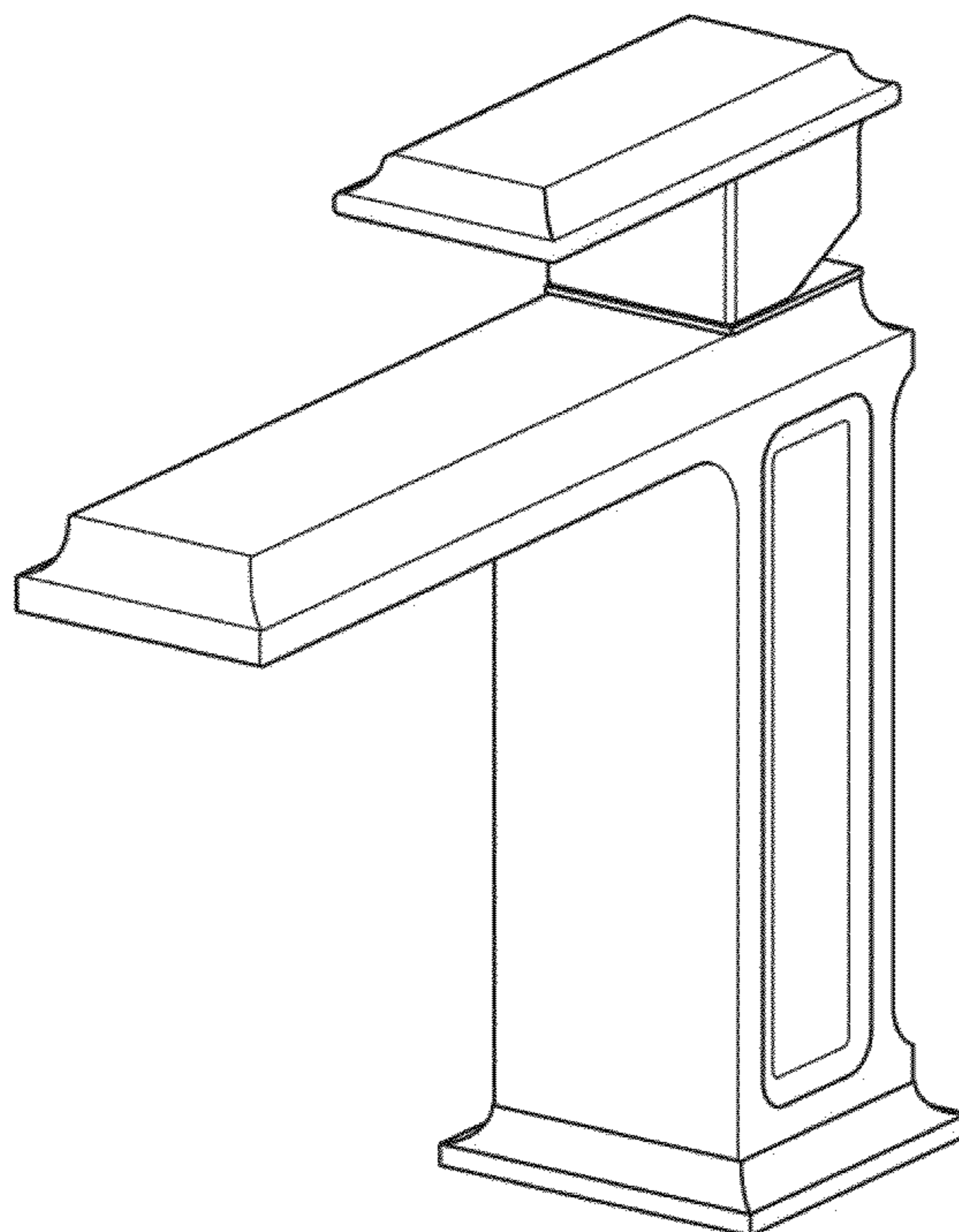
FIG. 4 is a front view thereof;

FIG. 5 is a back view thereof;

FIG. 6 is a top plan view thereof; and,

FIG. 7 is a bottom plan view thereof.

**1 Claim, 5 Drawing Sheets**



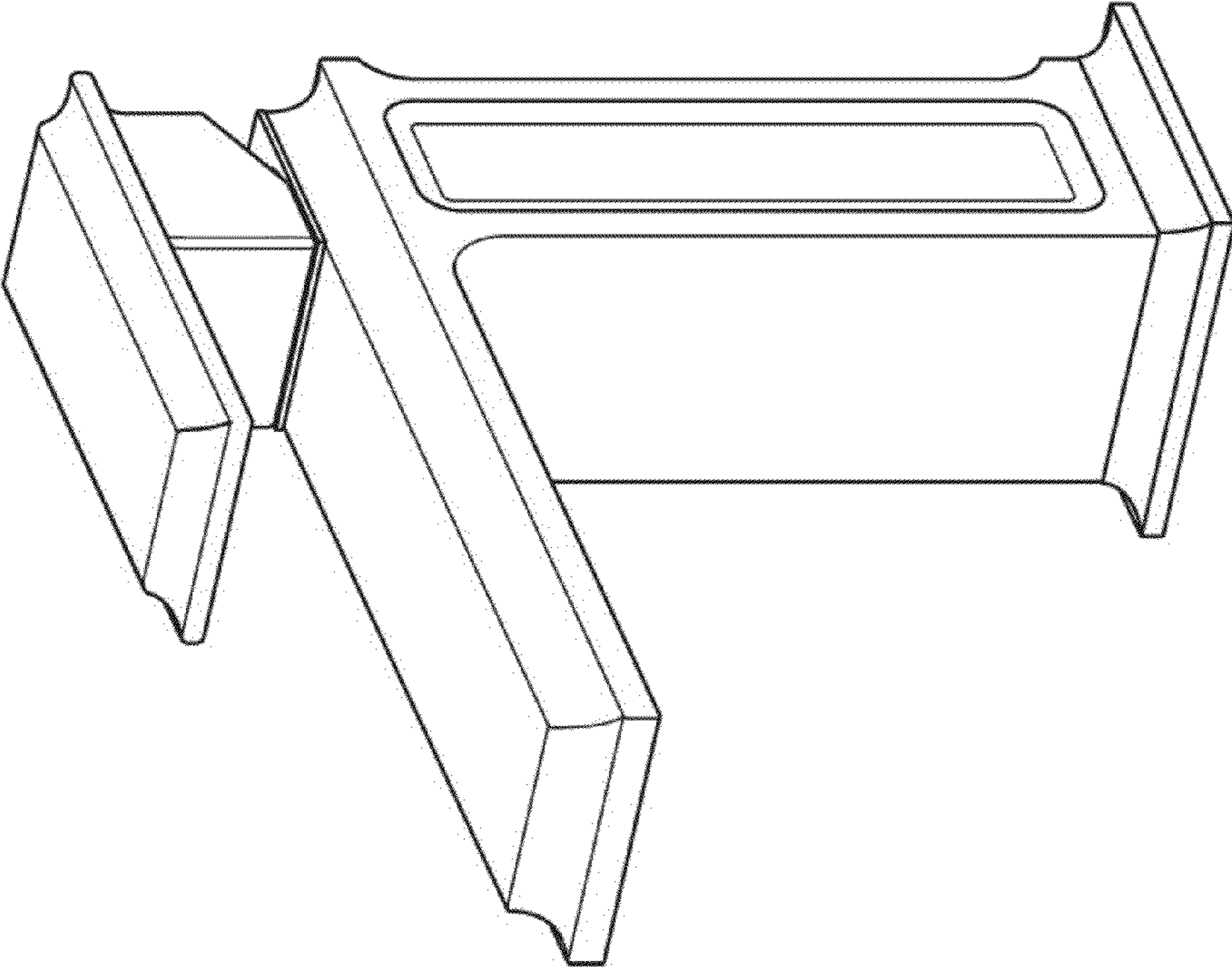


FIG. 1

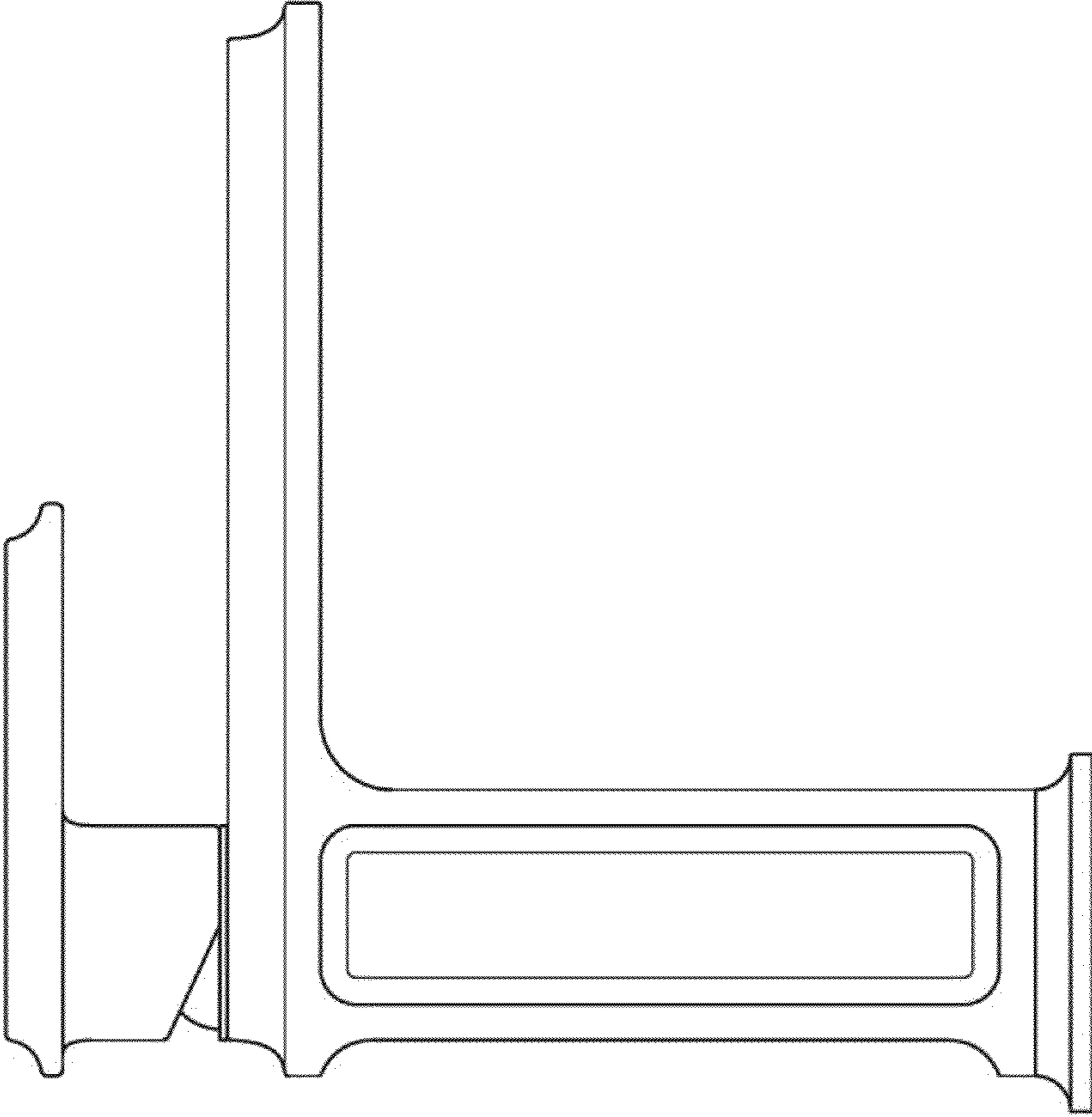


FIG. 2

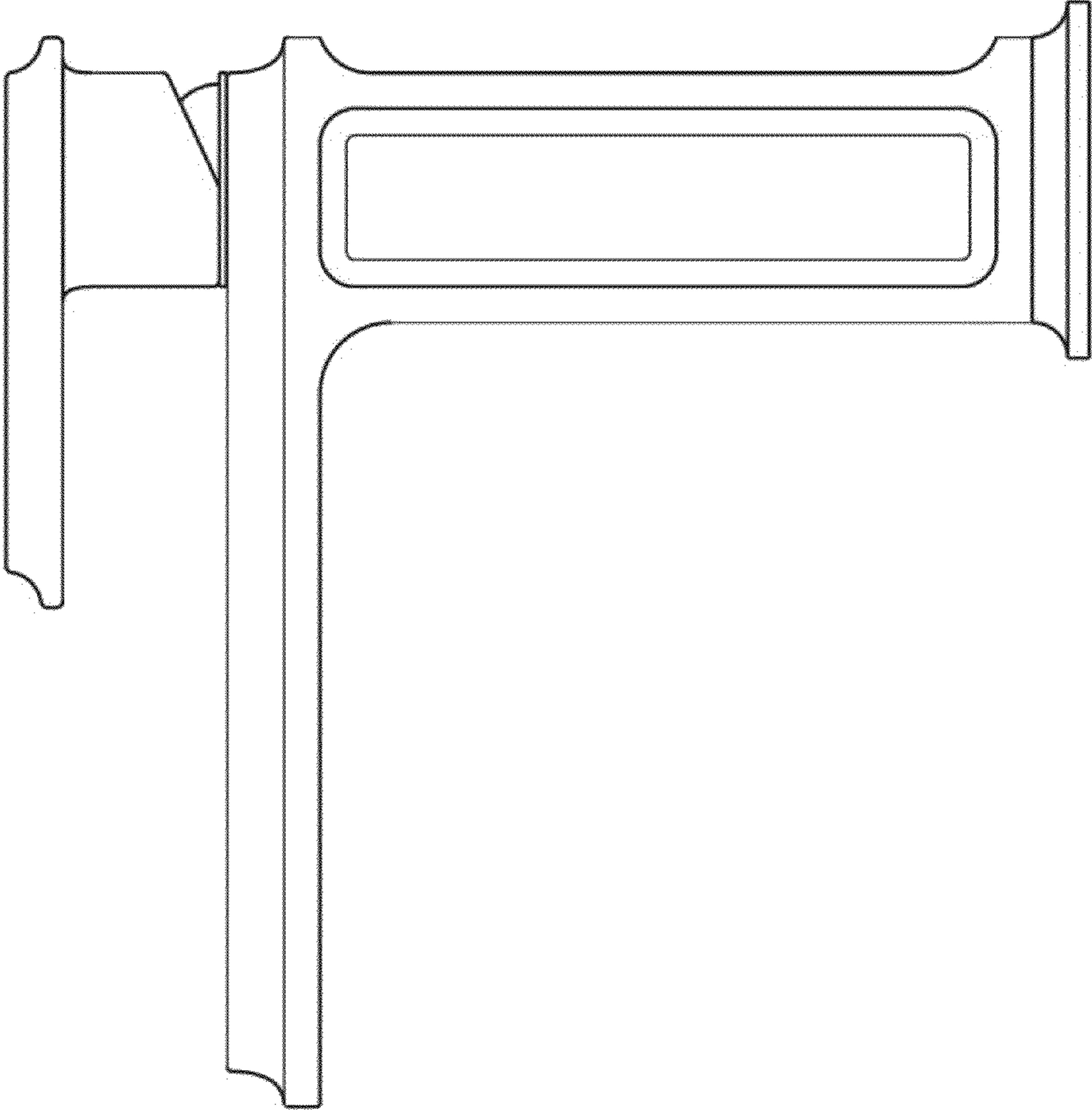


FIG.3

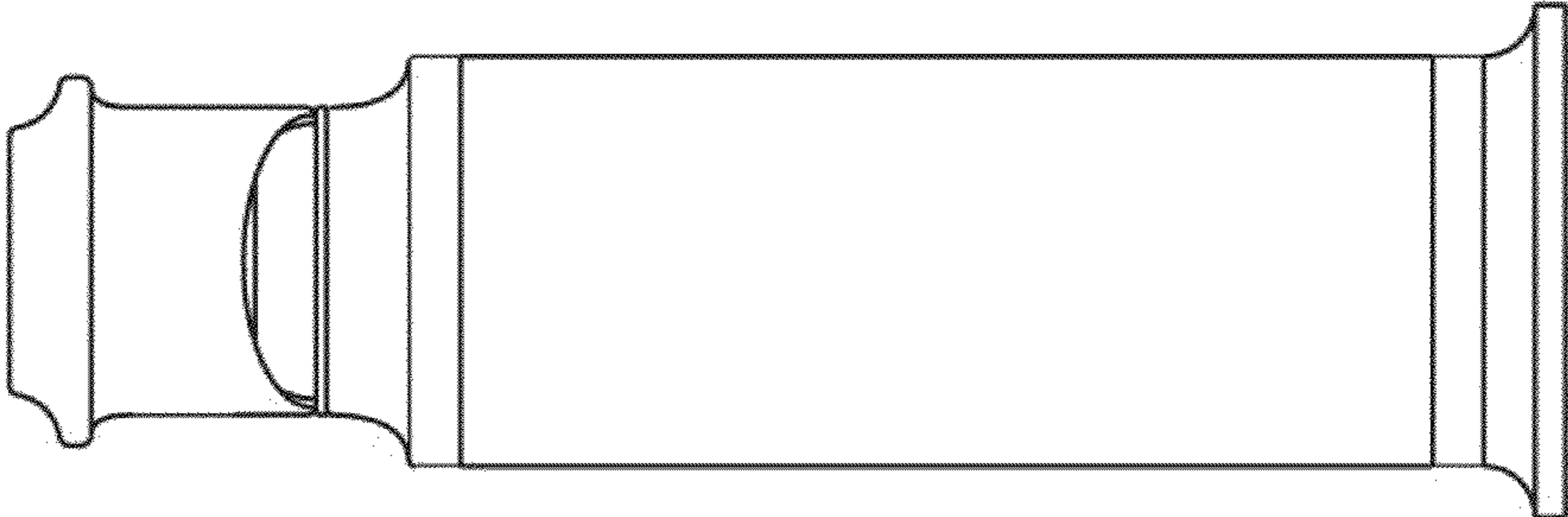


FIG. 5

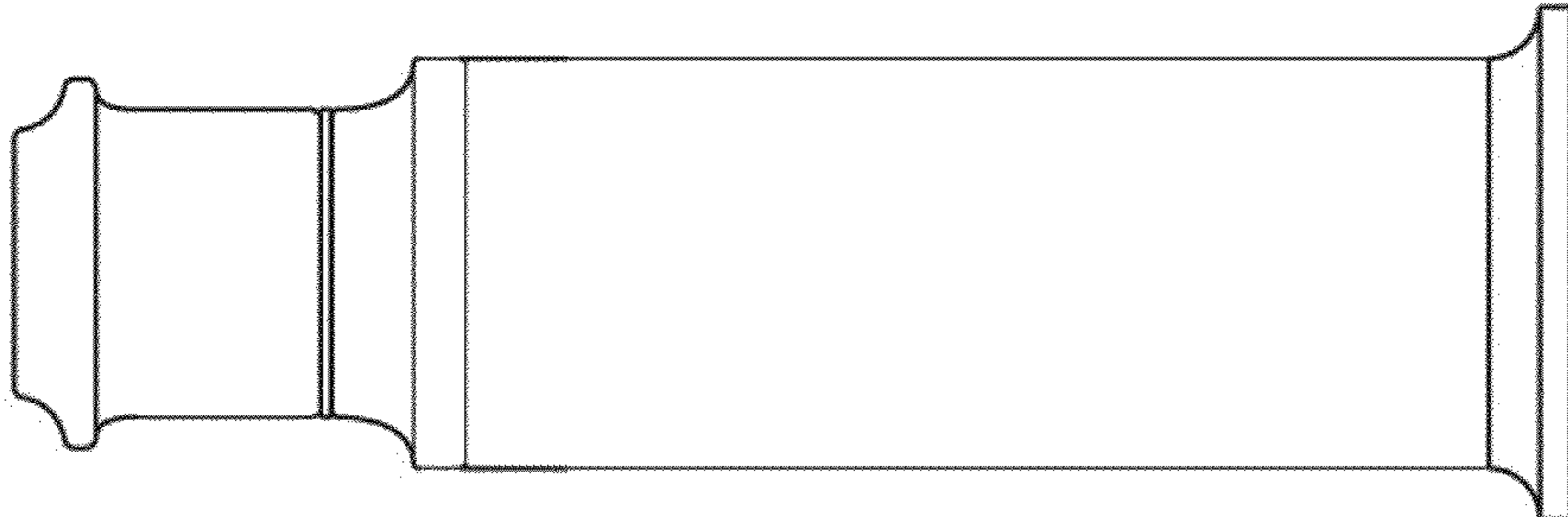


FIG. 4



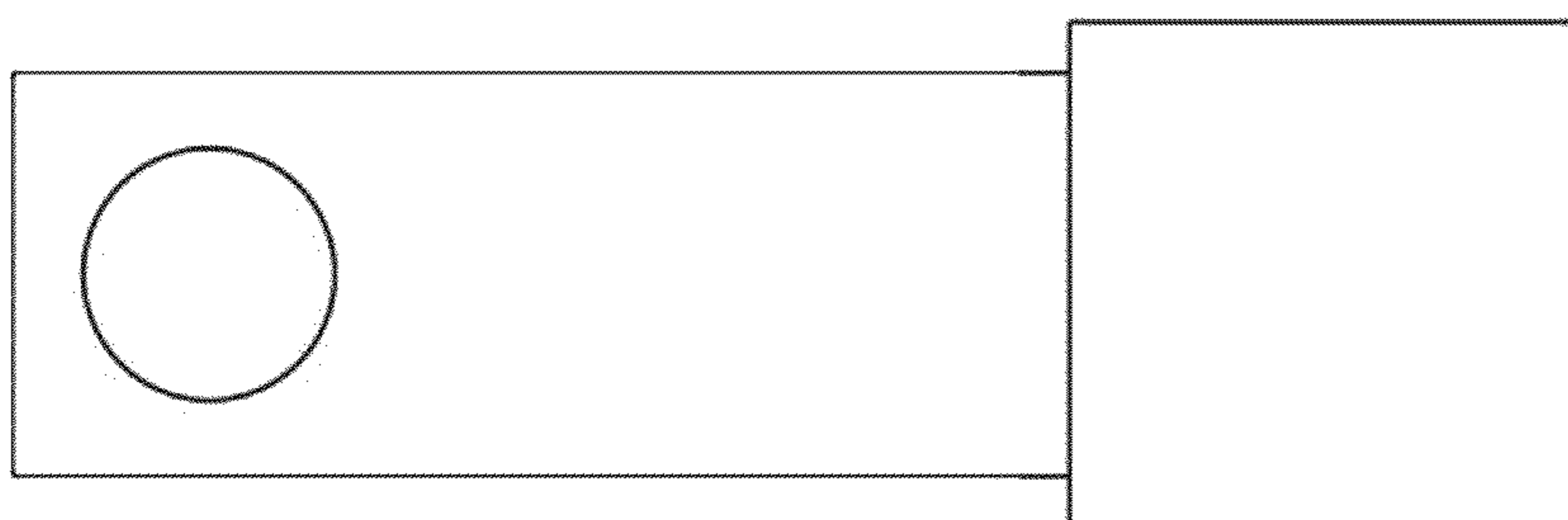


FIG. 7

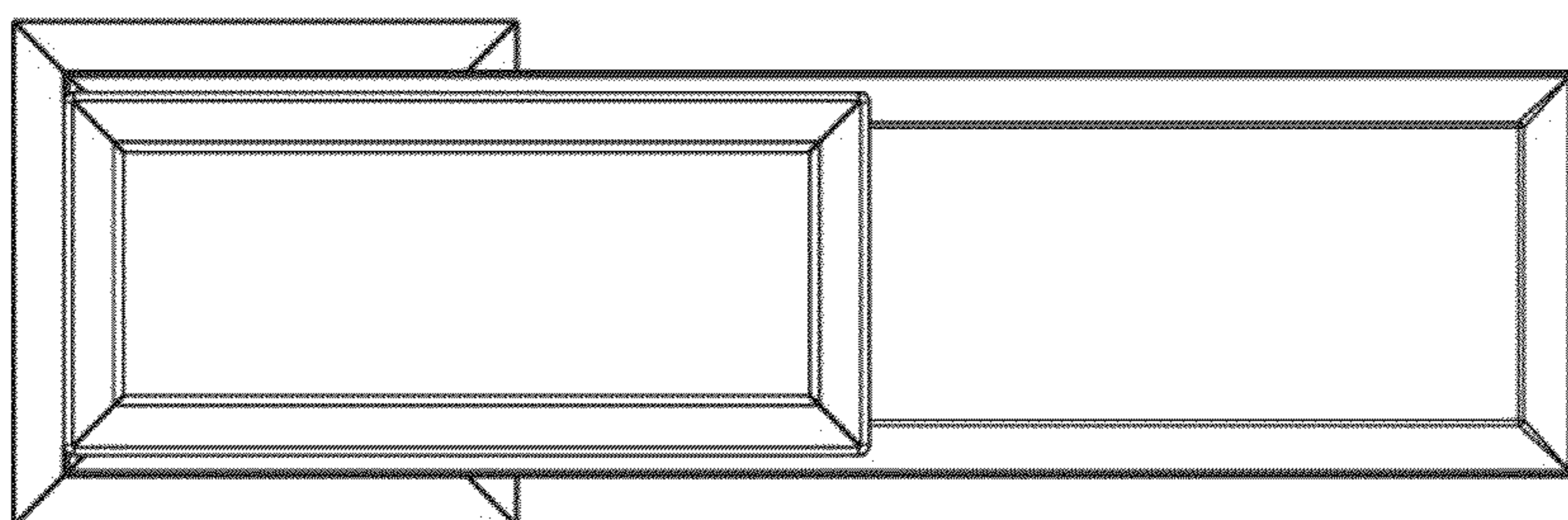


FIG. 6