



US00D705396S

(12) **United States Design Patent**  
**Roden**

(10) **Patent No.:** **US D705,396 S**

(45) **Date of Patent:** **\*\* May 20, 2014**

(54) **VALVE ASSEMBLY**

(71) Applicant: **TYL, Inc.**, Fort Worth, TX (US)

(72) Inventor: **Tripp Roden**, Keller, TX (US)

(73) Assignee: **TYL, Inc.**, Fort Worth, TX (US)

(\*\*) Term: **14 Years**

(21) Appl. No.: **29/450,013**

(22) Filed: **Mar. 15, 2013**

(51) **LOC (10) Cl.** ..... **23-01**

(52) **U.S. Cl.**  
USPC ..... **D23/233**

(58) **Field of Classification Search**  
USPC ..... D23/233-237, 244-249; 137/170-174,  
137/549, 625.22, 625.47; 251/315.14, 309,  
251/310  
See application file for complete search history.

(56) **References Cited**

**U.S. PATENT DOCUMENTS**

D412,561 S *	8/1999	Voo	.....	D23/245
D470,222 S *	2/2003	Nortier	.....	D23/233
D479,307 S *	9/2003	Ferrer Beltran	.....	D23/233
D531,697 S *	11/2006	Hofmann	.....	D23/237

D638,521 S *	5/2011	Matusche	.....	D23/233
D639,392 S *	6/2011	Yamada	.....	D23/233
D690,390 S *	9/2013	Garm et al.	.....	D23/233
D697,587 S *	1/2014	Nissen et al.	.....	D23/233
2009/0272194 A1 *	11/2009	Weingarten	.....	73/700

\* cited by examiner

*Primary Examiner* — Cynthia Ramirez

(74) *Attorney, Agent, or Firm* — Sterne, Kessler, Goldstein & Fox P.L.L.C.

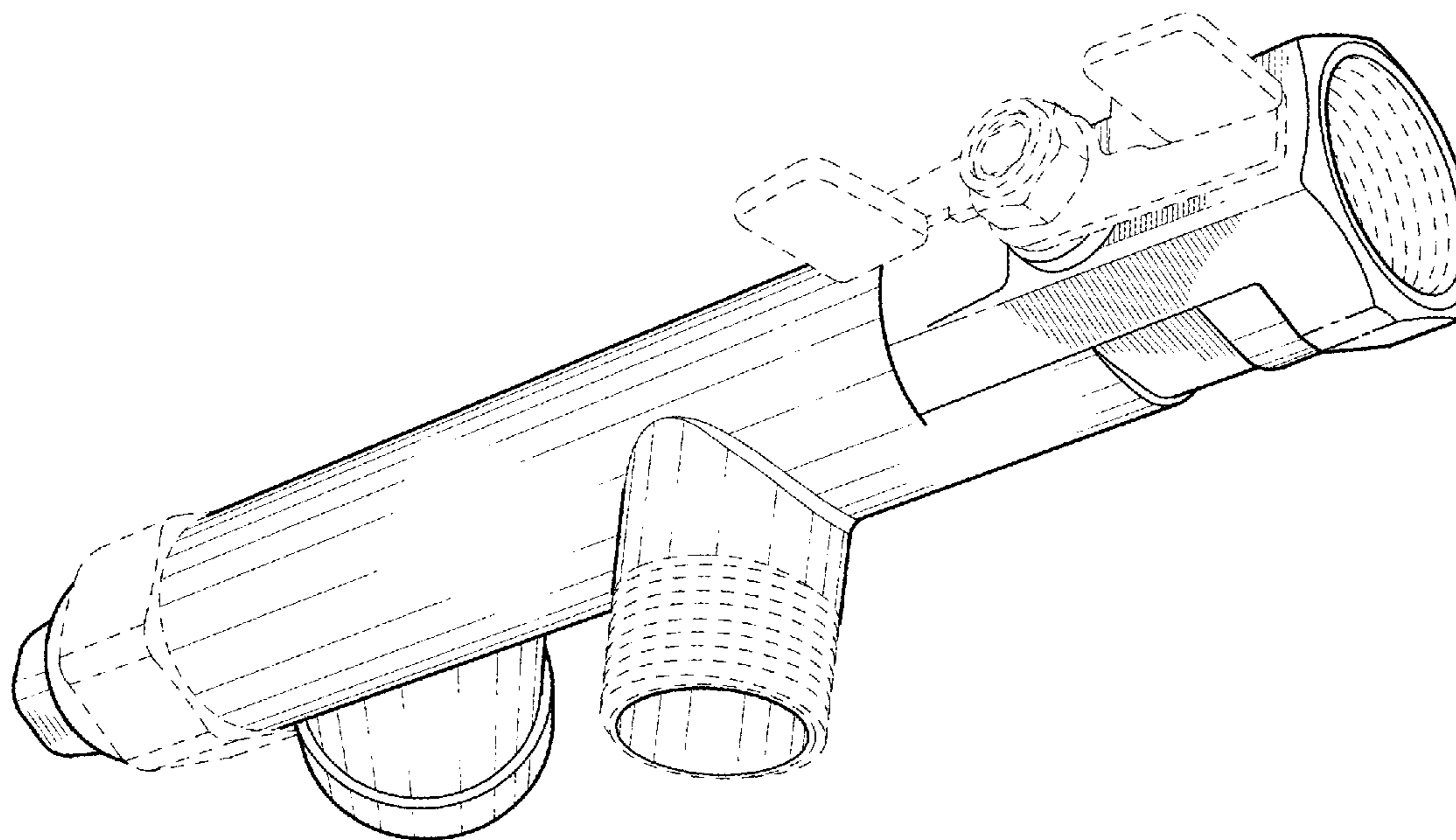
(57) **CLAIM**

The ornamental design for a valve assembly, as shown and described.

**DESCRIPTION**

FIG. 1 is a top front perspective view of a valve assembly showing our new design.  
FIG. 2 is a front view thereof.  
FIG. 3 is a rear view thereof.  
FIG. 4 is a left side view thereof.  
FIG. 5 is a right side view thereof.  
FIG. 6 is a top view thereof; and,  
FIG. 7 is a bottom view thereof.  
The broken lines in the Figures show portions of the valve assembly that form no part of the claimed design.

**1 Claim, 6 Drawing Sheets**



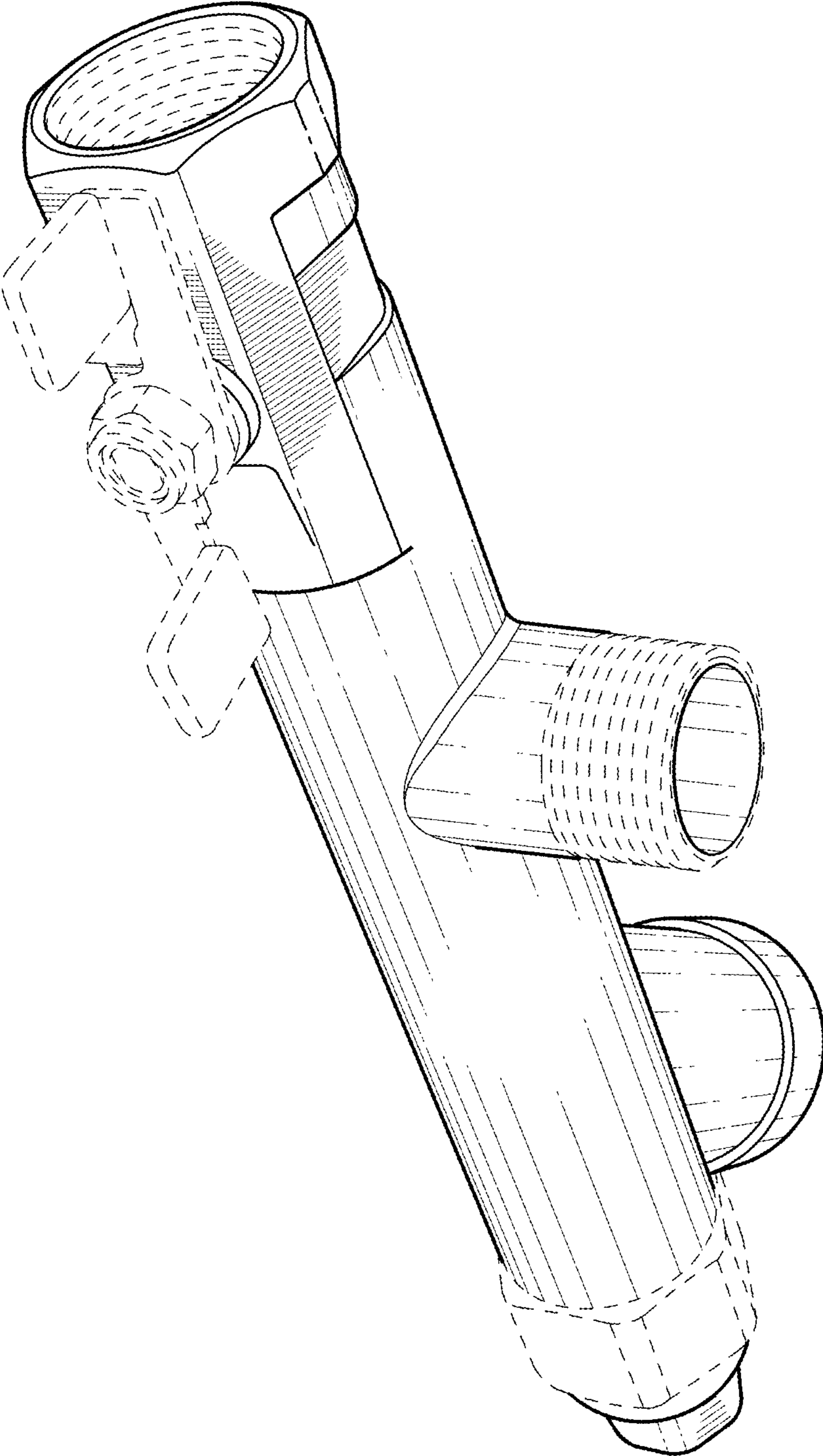


FIG. 1

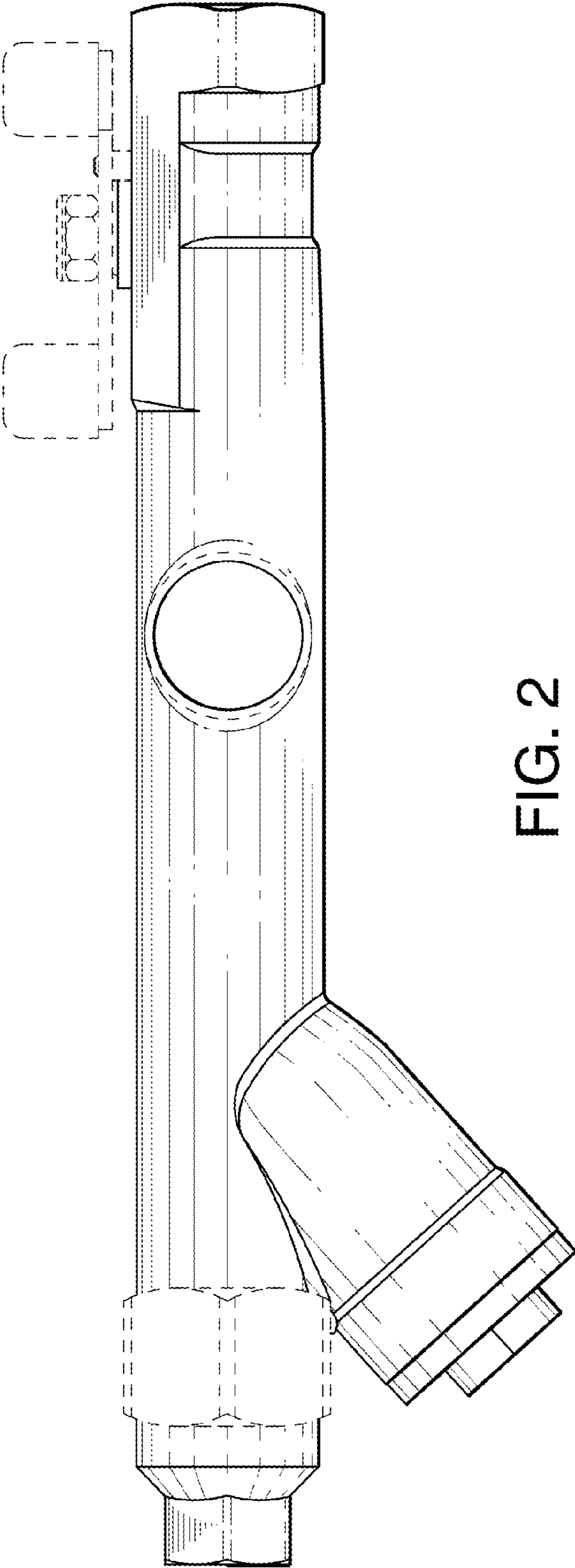


FIG. 2

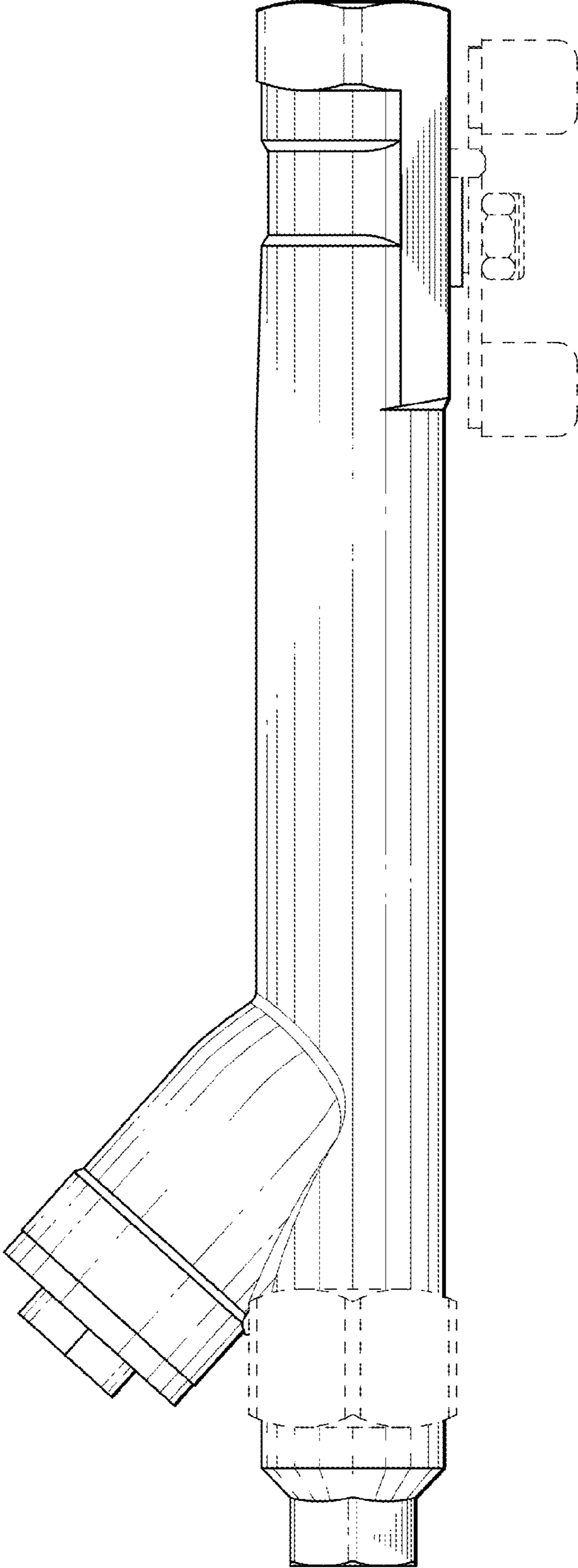


FIG. 3

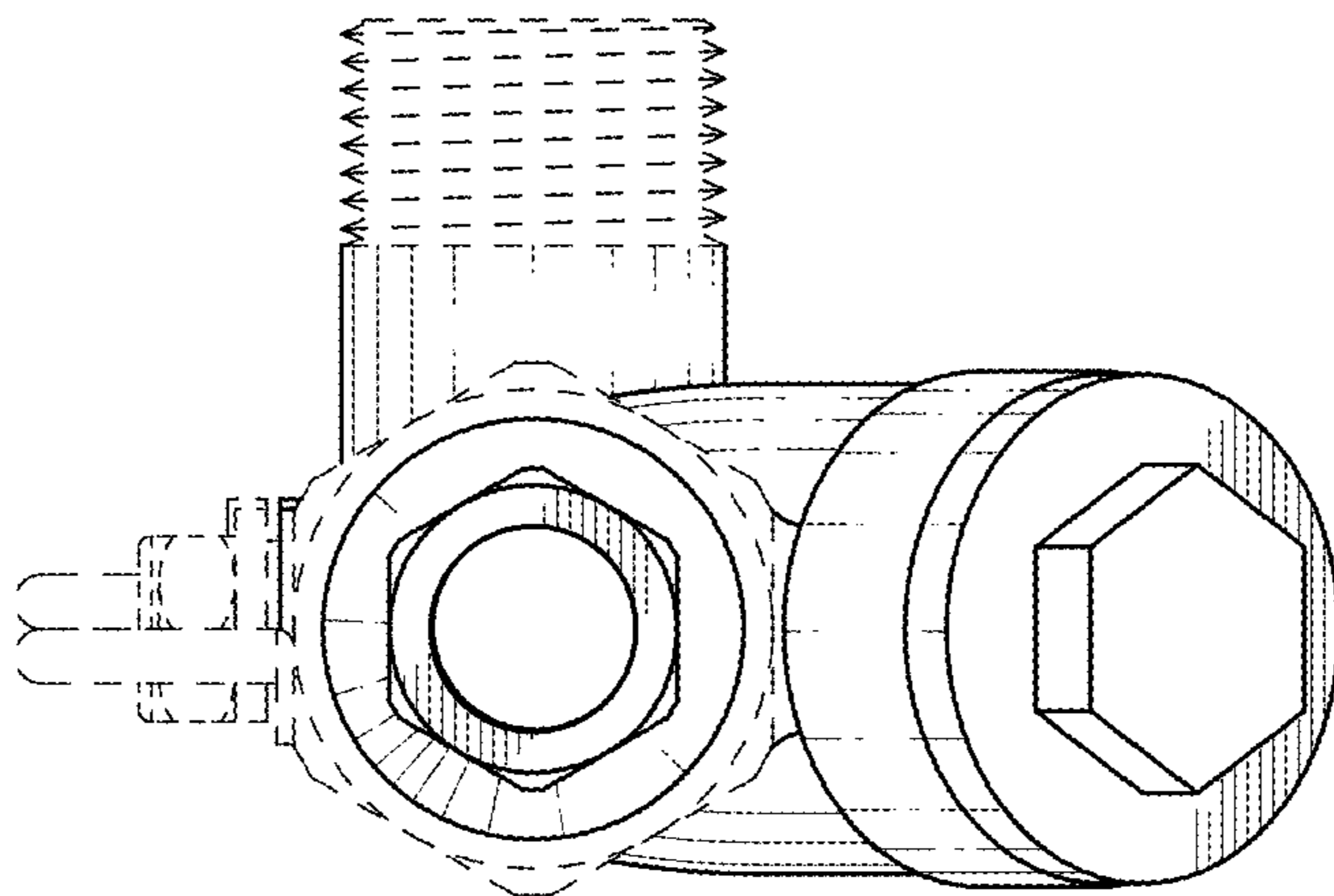


FIG. 5

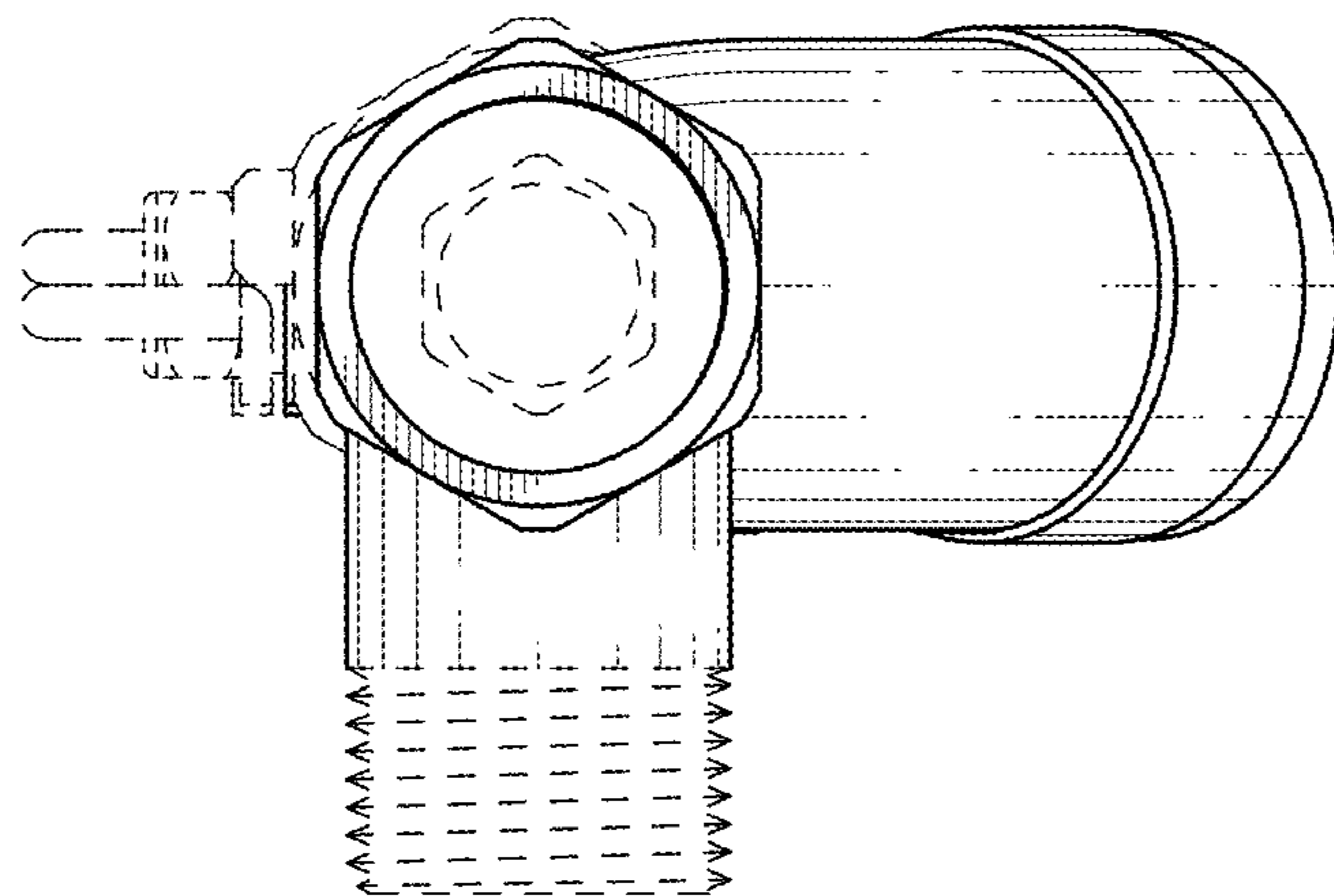


FIG. 4



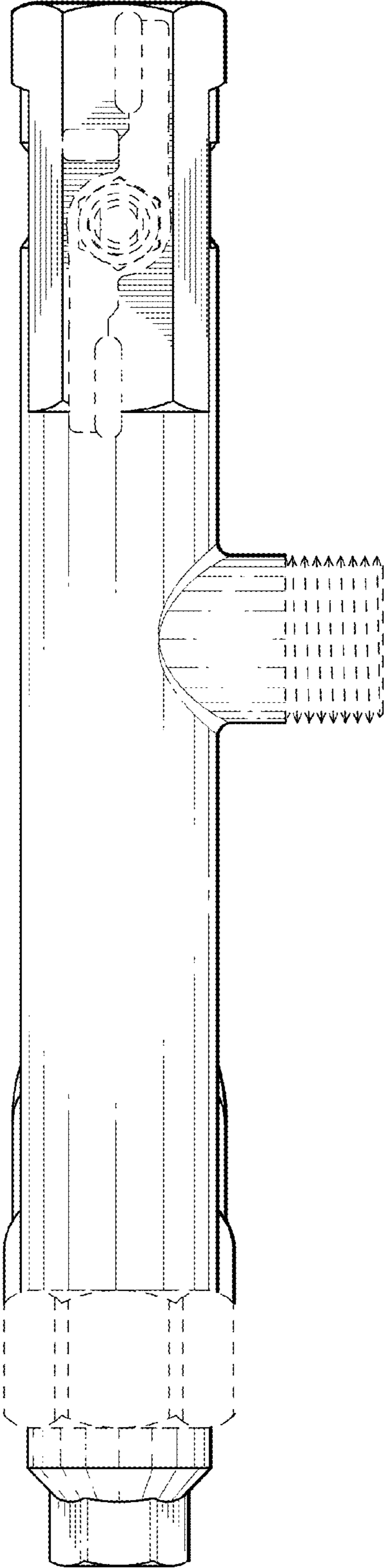


FIG. 6

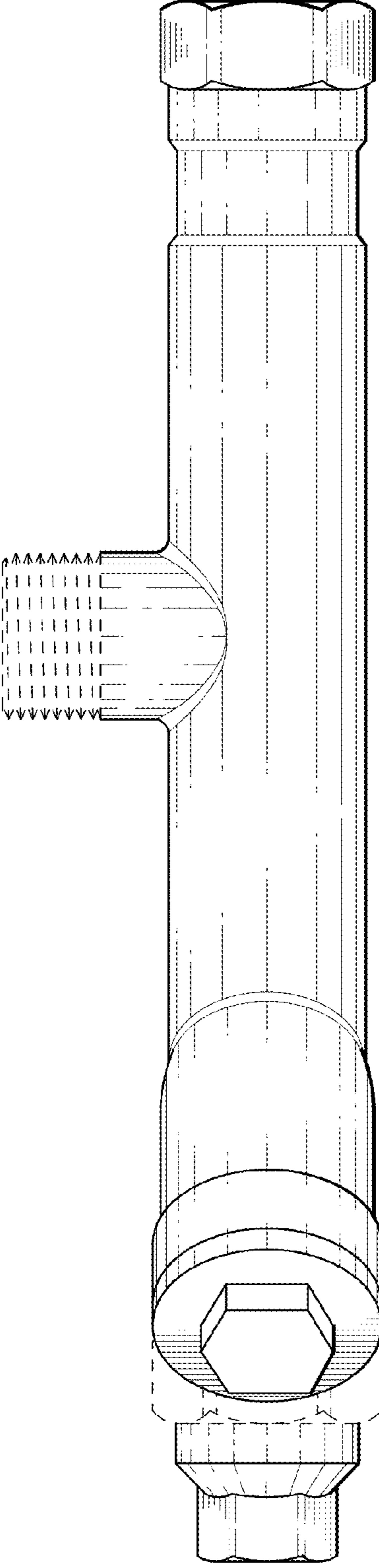


FIG. 7