



US00D705395S

(12) **United States Design Patent**
Hoff et al.

(10) **Patent No.:** **US D705,395 S**

(45) **Date of Patent:** **** May 20, 2014**

(54) **IDLE AIR CONTROL VALVE FOR A MOTORCYCLE**

(71) Applicants: **Vance A. Hoff**, Grapeview, WA (US);
Phillip G. Larson, Tahuya, WA (US);
Perry D. Hoff, Grapeview, WA (US);
Mark R. Hoff, Belfair, WA (US)

(72) Inventors: **Vance A. Hoff**, Grapeview, WA (US);
Phillip G. Larson, Tahuya, WA (US);
Perry D. Hoff, Grapeview, WA (US);
Mark R. Hoff, Belfair, WA (US)

(73) Assignee: **Old School Products LLC**, Allyn, WA (US)

(**) Term: **14 Years**

(21) Appl. No.: **29/447,386**

(22) Filed: **Mar. 2, 2013**

(51) **LOC (10) Cl.** **23-01**

(52) **U.S. Cl.**
USPC **D23/233**

(58) **Field of Classification Search**
USPC D23/233, 234, 235, 236, 237; 251/143,
251/148, 152, 309; 137/240, 412, 533,
137/801.1

See application file for complete search history.

(56) **References Cited**

U.S. PATENT DOCUMENTS

D357,735 S *	4/1995	McPhee	D24/129
D624,628 S *	9/2010	Haynes	D23/233
D624,987 S *	10/2010	Van De Moosdisk	D23/235
D634,813 S *	3/2011	Hernandez, IV	D23/233
D686,298 S *	7/2013	Ching et al.	D23/233
D700,284 S *	2/2014	Hansen	D23/233
D700,286 S *	2/2014	Okitsu et al.	D23/235

* cited by examiner

Primary Examiner — Cynthia Ramirez

(74) *Attorney, Agent, or Firm* — Puget Patent; Michael Gibbons

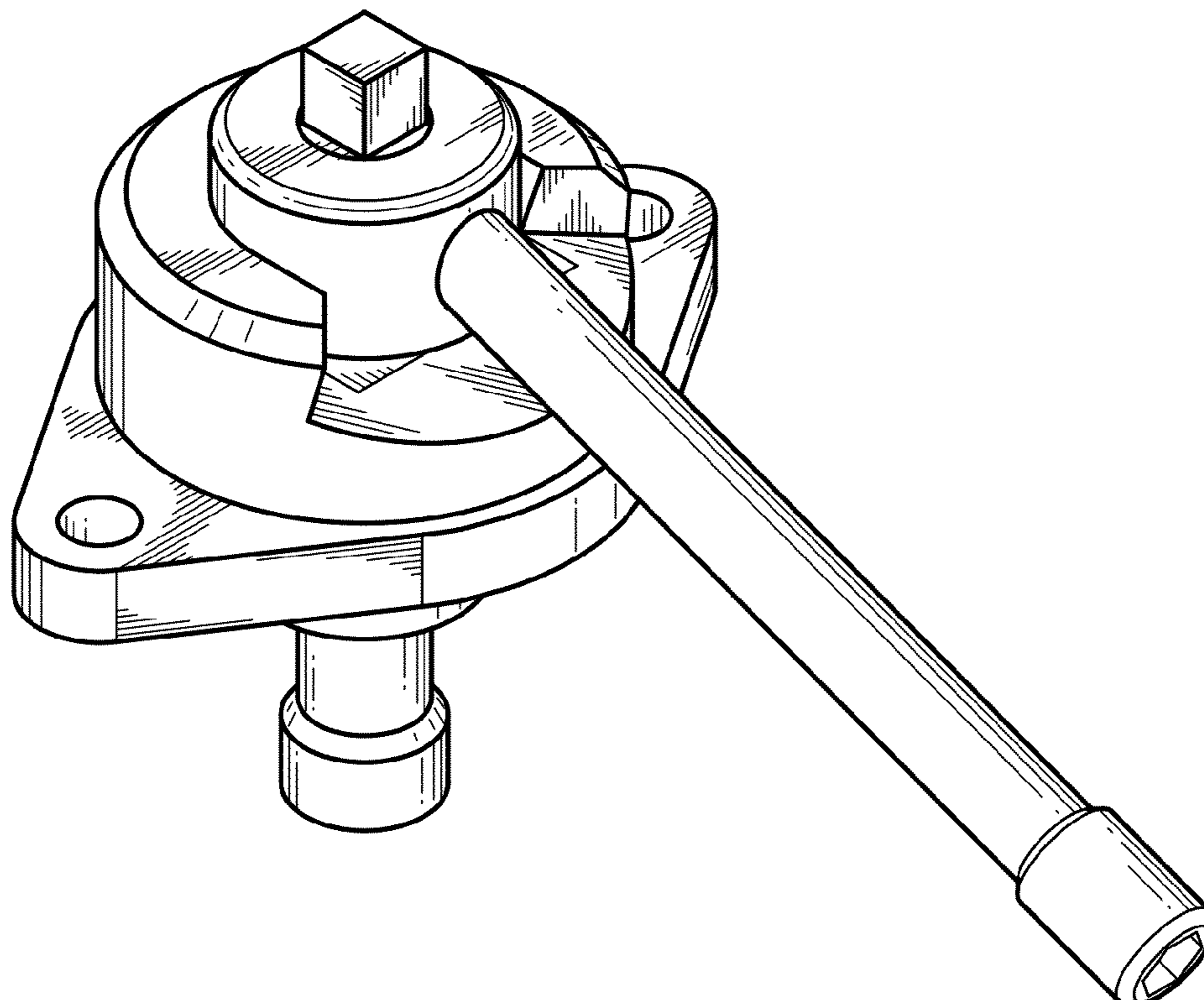
(57) **CLAIM**

The ornamental design for an idle air control valve for a motorcycle, as shown and described.

DESCRIPTION

FIG. 1 is a front perspective view of an idle air control valve for a motorcycle showing our new design; FIG. 2 is a left side elevational view thereof; FIG. 3 is a top plan view thereof; FIG. 4 is a bottom plan view thereof; FIG. 5 is a rear view thereof; and, FIG. 6 is a front view thereof.

1 Claim, 3 Drawing Sheets



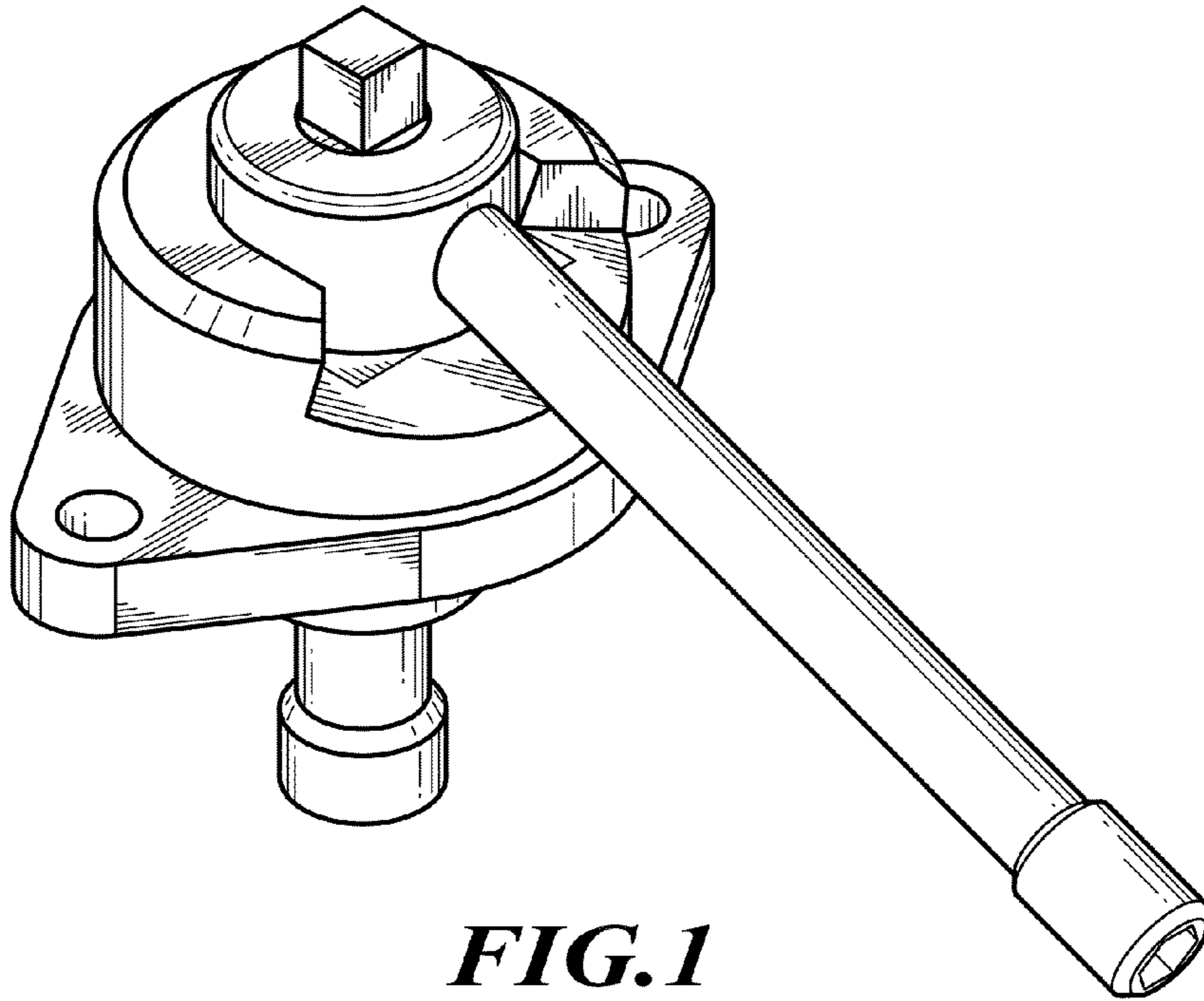


FIG. 1

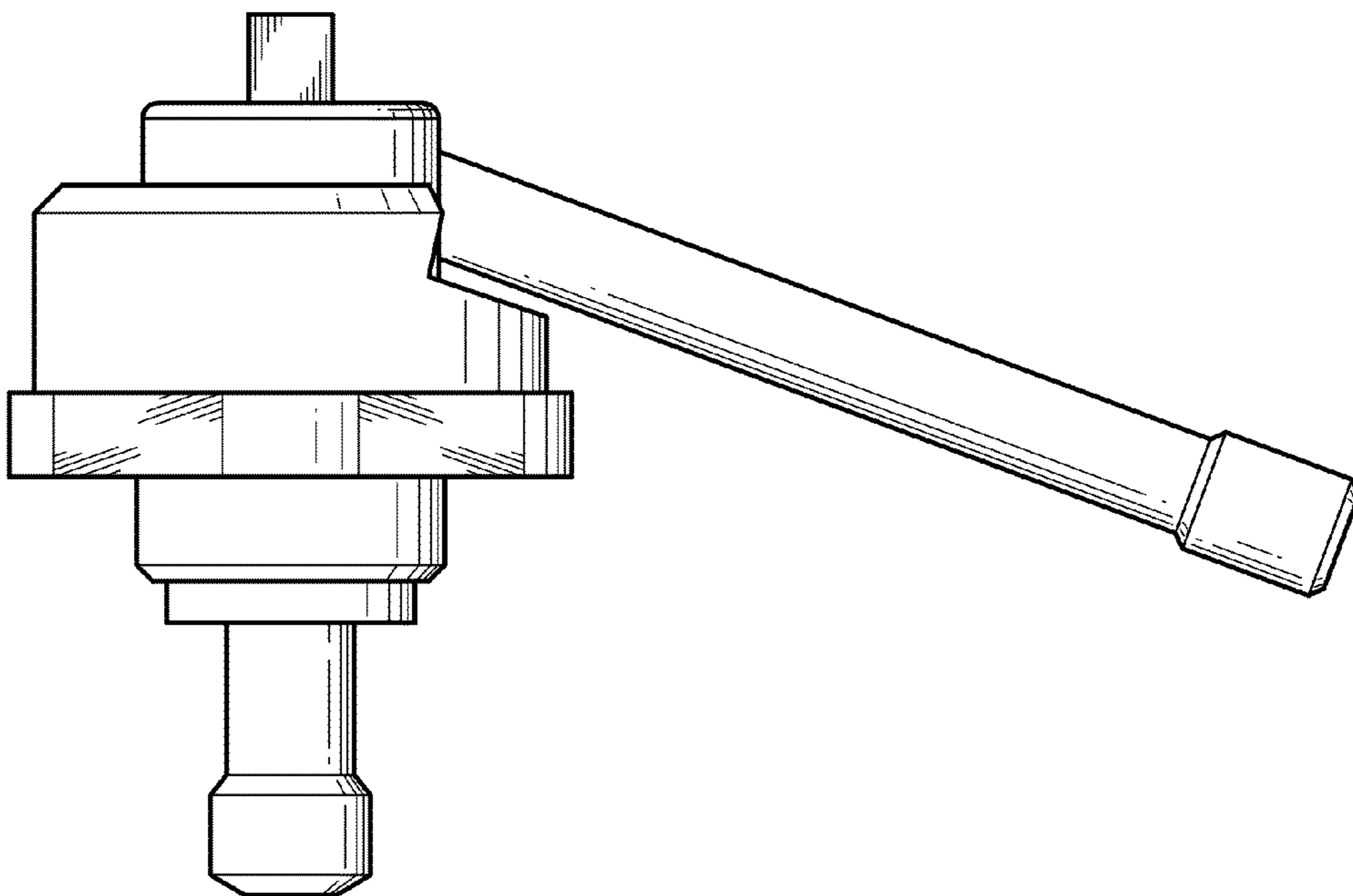


FIG. 2

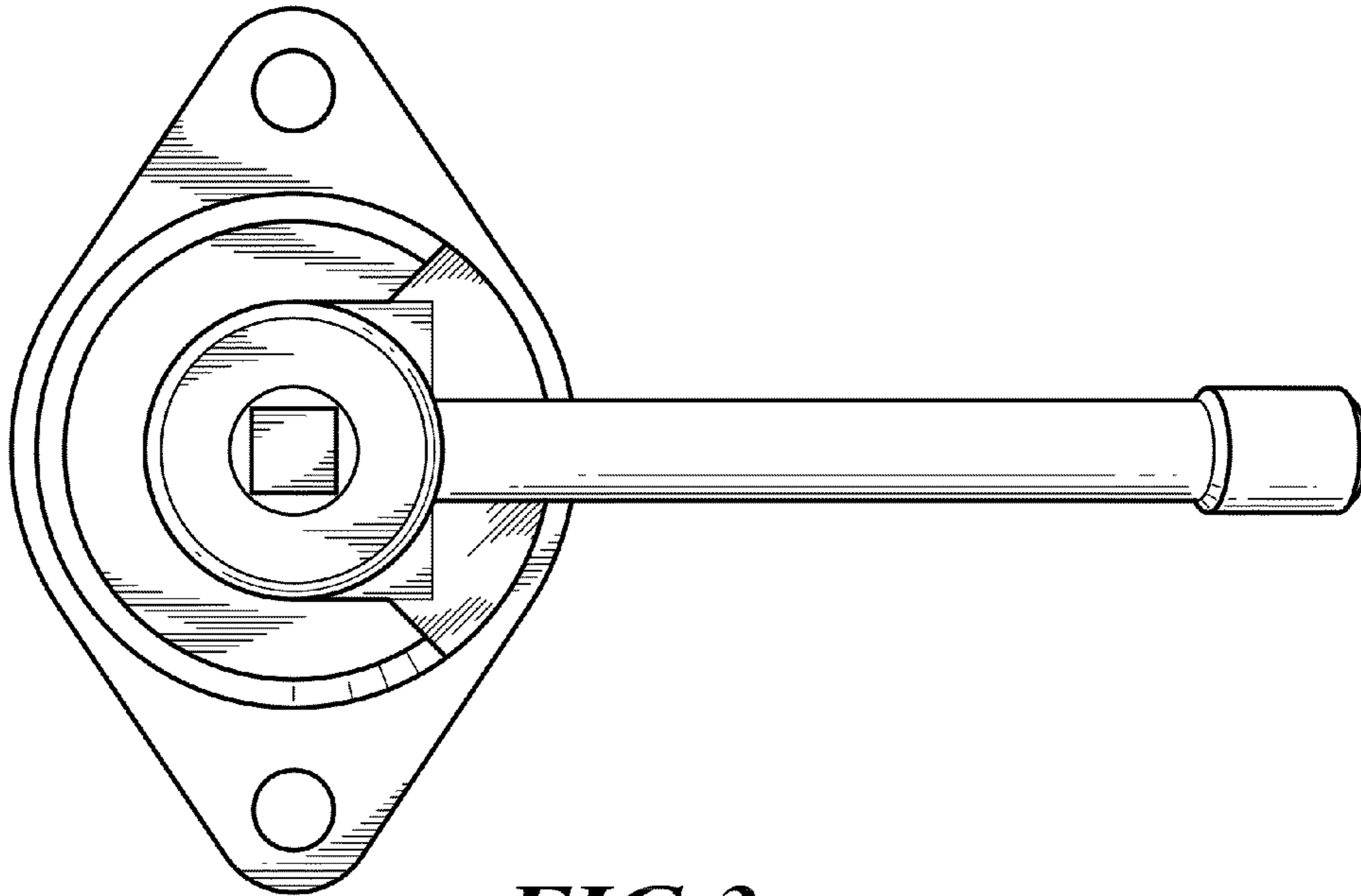


FIG. 3

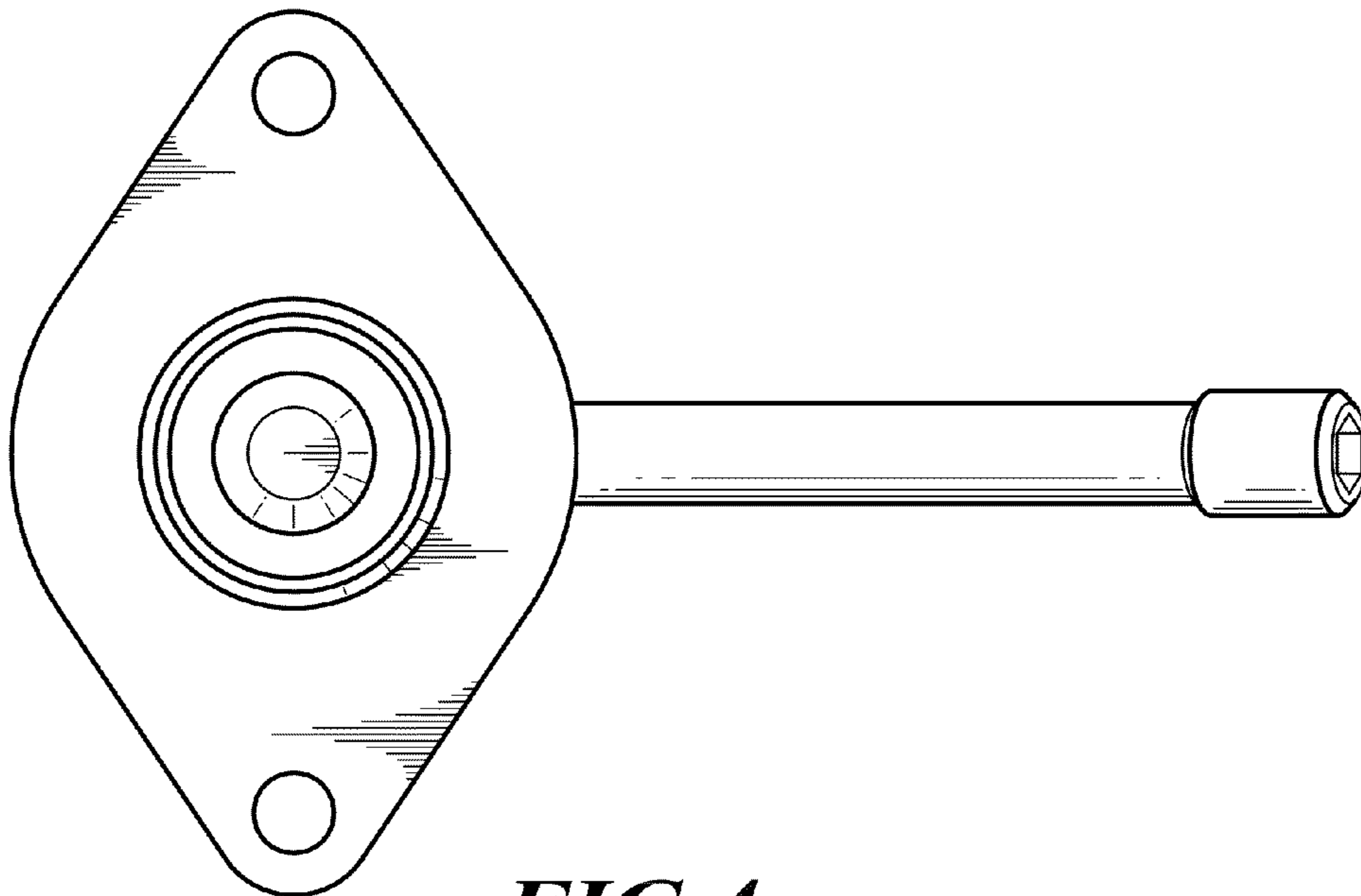


FIG. 4

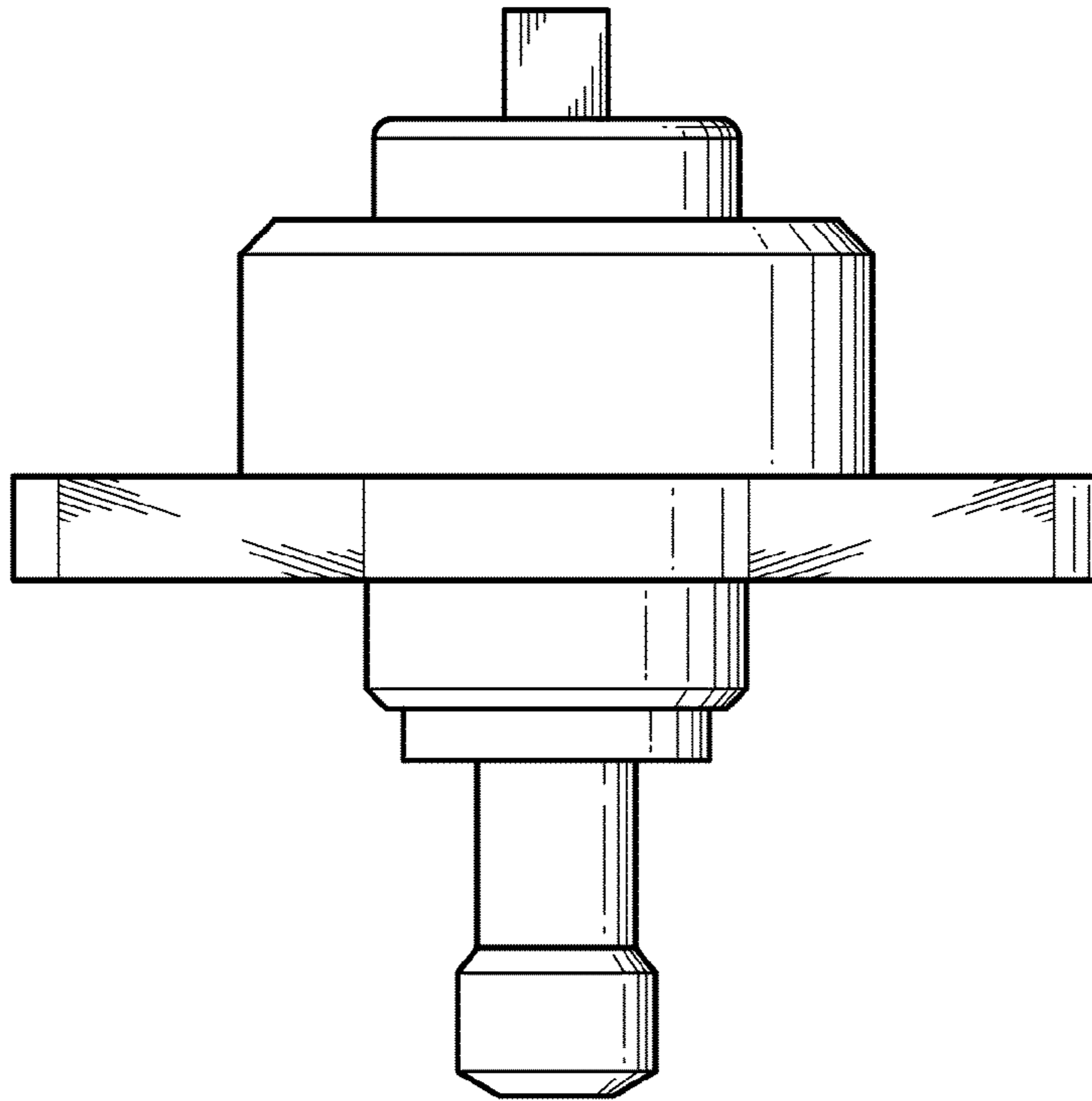


FIG. 5

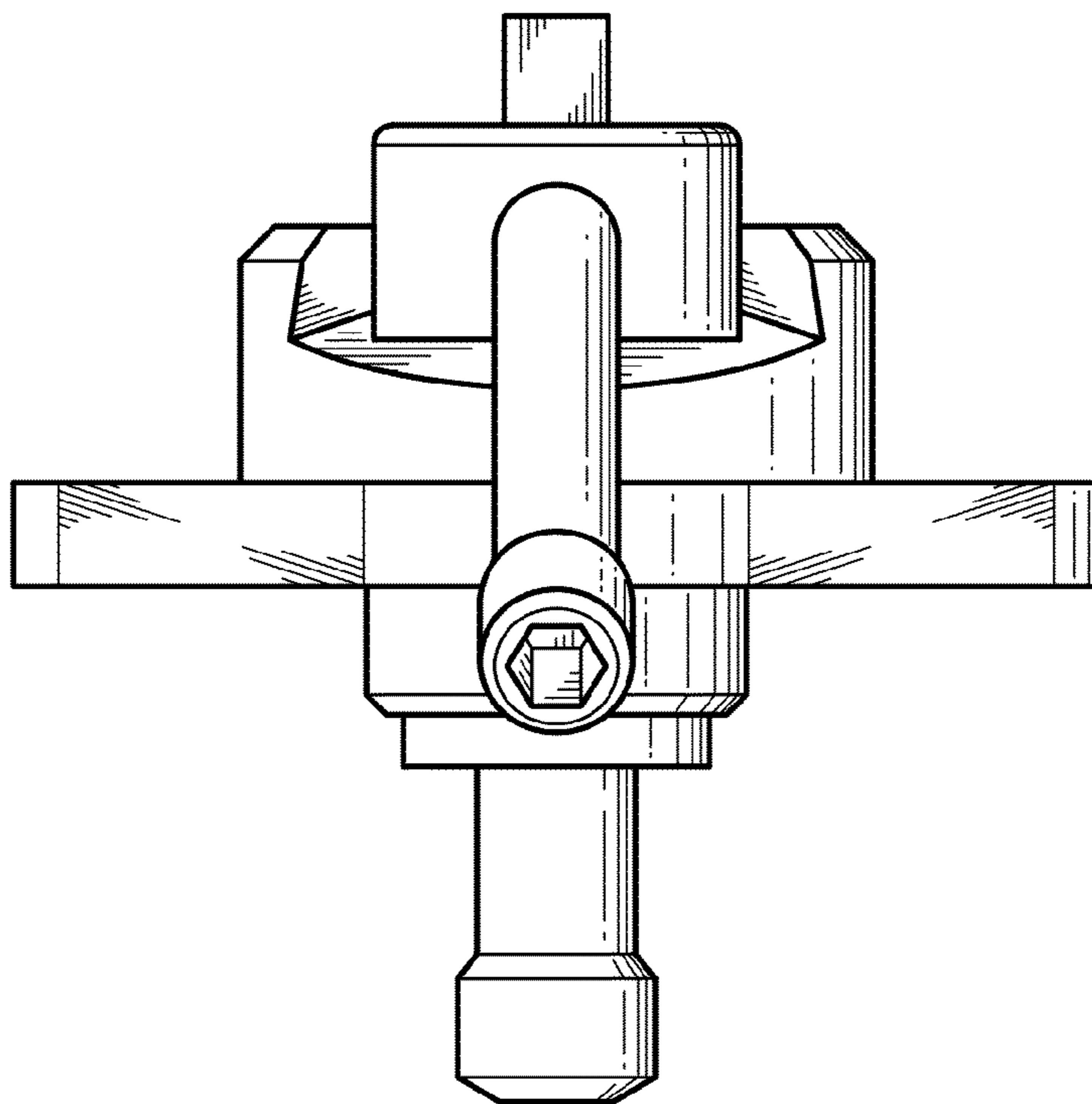


FIG. 6