



US00D705393S

(12) **United States Design Patent**
Bailey

(10) **Patent No.:** **US D705,393 S**

(45) **Date of Patent:** **** May 20, 2014**

(54) **SHOWERHEAD**

(71) Applicant: **Waxman Consumer Products Group, Inc.**, Bedford Heights, OH (US)

(72) Inventor: **Mitchell Bailey**, Westlake, OH (US)

(73) Assignee: **Waxman Consumer Products Group Inc.**, Bedford Heights, OH (US)

(**) Term: **14 Years**

(21) Appl. No.: **29/459,123**

(22) Filed: **Jun. 26, 2013**

(51) **LOC (10) Cl.** **23-01**

(52) **U.S. Cl.**
USPC **D23/213**

(58) **Field of Classification Search**
USPC D23/213, 223, 229, 230; 4/601, 615;
239/444, 282, 283

See application file for complete search history.

(56) **References Cited**

U.S. PATENT DOCUMENTS

D599,881 S *	9/2009	Wang et al.	D23/213
D618,303 S *	6/2010	Zhang	D23/213
D619,202 S *	7/2010	Zhang	D23/213
D652,106 S *	1/2012	Yoo	D23/213
D678,465 S *	3/2013	Zhadanov	D23/213
D680,617 S *	4/2013	Zhadanov	D23/213

* cited by examiner

Primary Examiner — Robin V Webster

(74) *Attorney, Agent, or Firm* — Tarolli, Sundheim, Covell & Tummino LLP

(57) **CLAIM**

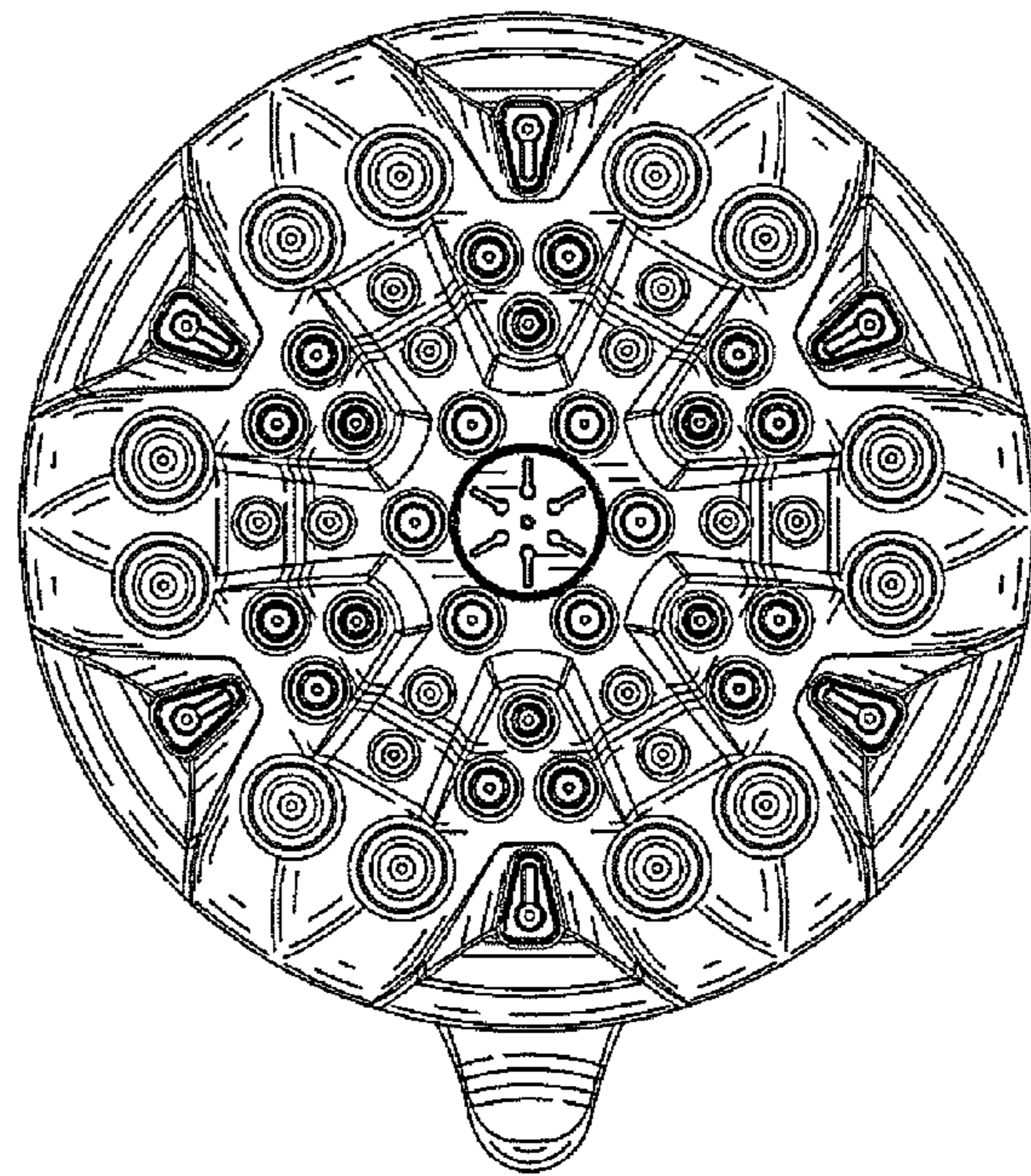
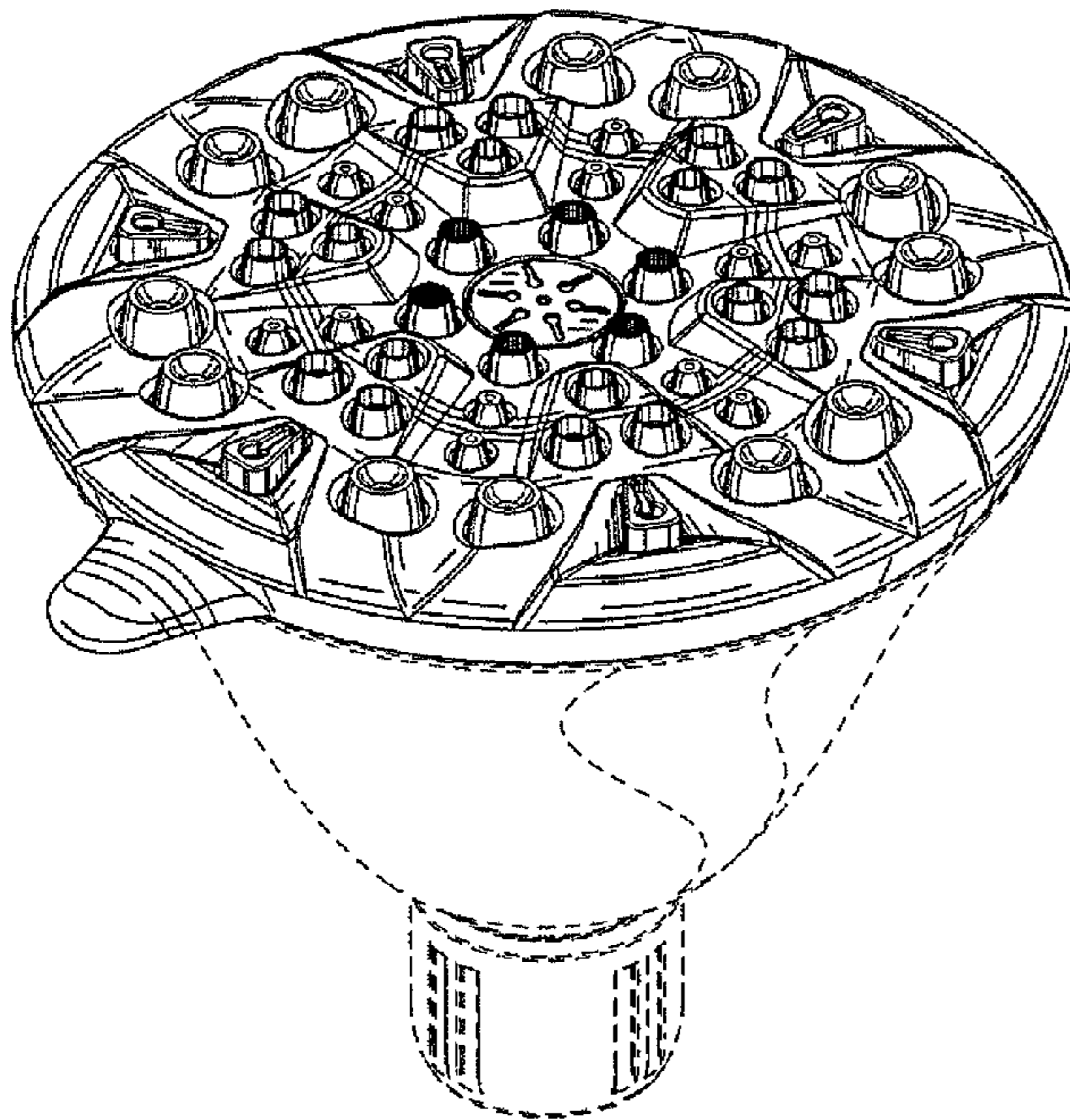
The ornamental design for a showerhead, as shown and described.

DESCRIPTION

FIG. 1 is a right front perspective view of a showerhead;
 FIG. 2 is a left front perspective view thereof;
 FIG. 3 is a left rear perspective view thereof;
 FIG. 4 is a right rear perspective view thereof;
 FIG. 5 is a front elevation view thereof;
 FIG. 6 is a rear elevation view thereof;
 FIG. 7 is a left side elevation view thereof;
 FIG. 8 is a right side elevation view thereof;
 FIG. 9 is a top plan view thereof;
 FIG. 10 is a bottom plan view thereof;
 FIG. 11 is a front perspective view showing an alternate usage environment;
 FIG. 12 is a rear perspective view of FIG. 11;
 FIG. 13 is a front elevation view of FIG. 11;
 FIG. 14 is a rear elevation view of FIG. 11;
 FIG. 15 is a left elevation view of FIG. 11;
 FIG. 16 is a right elevation view of FIG. 11;
 FIG. 17 is a top plan view of FIG. 11; and,
 FIG. 18 is a bottom plan view of FIG. 11.

The dotted and dashed broken lines shown are for environmental purposes only and form no part of the claimed design.

1 Claim, 12 Drawing Sheets



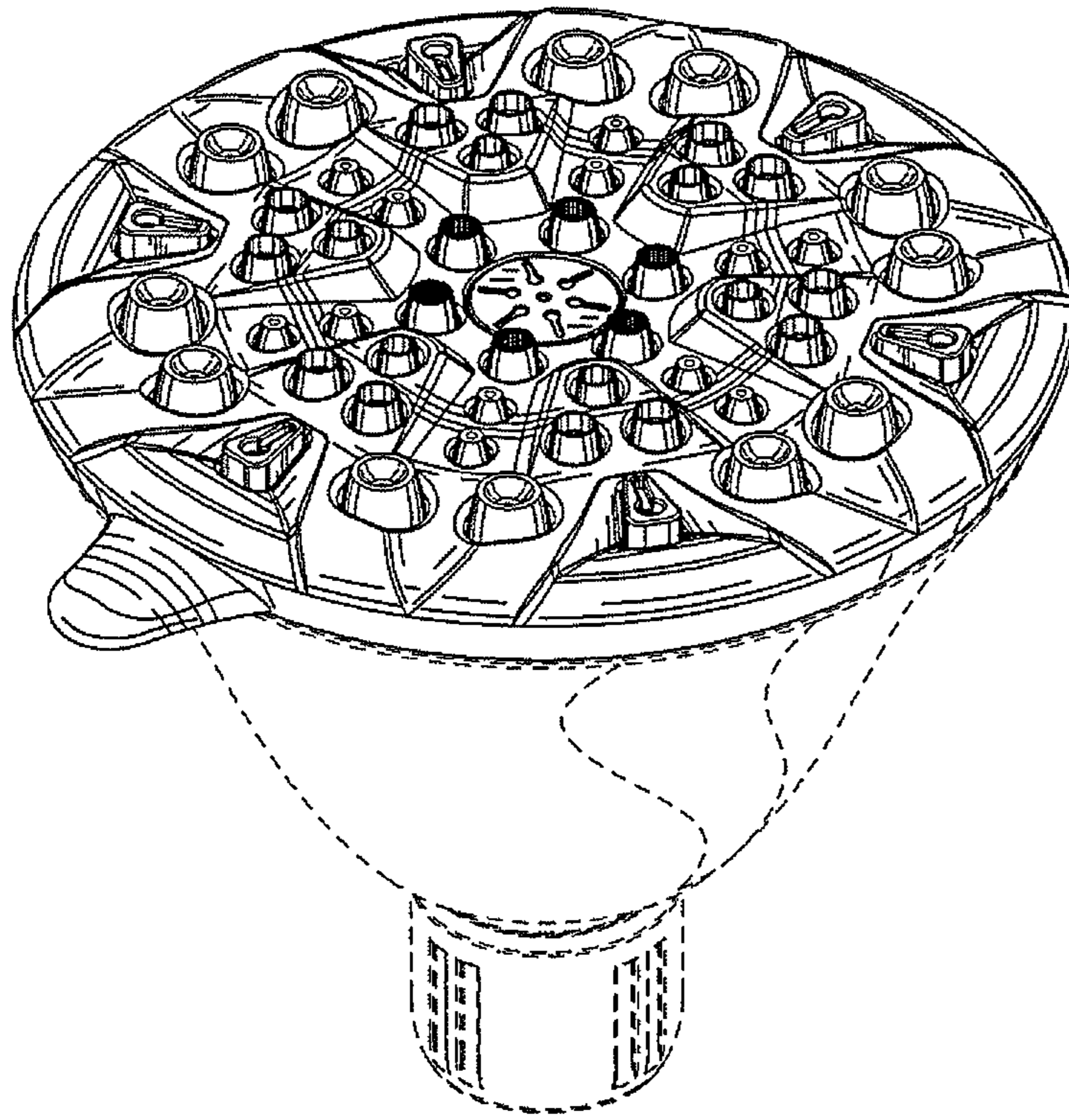


FIG. 1

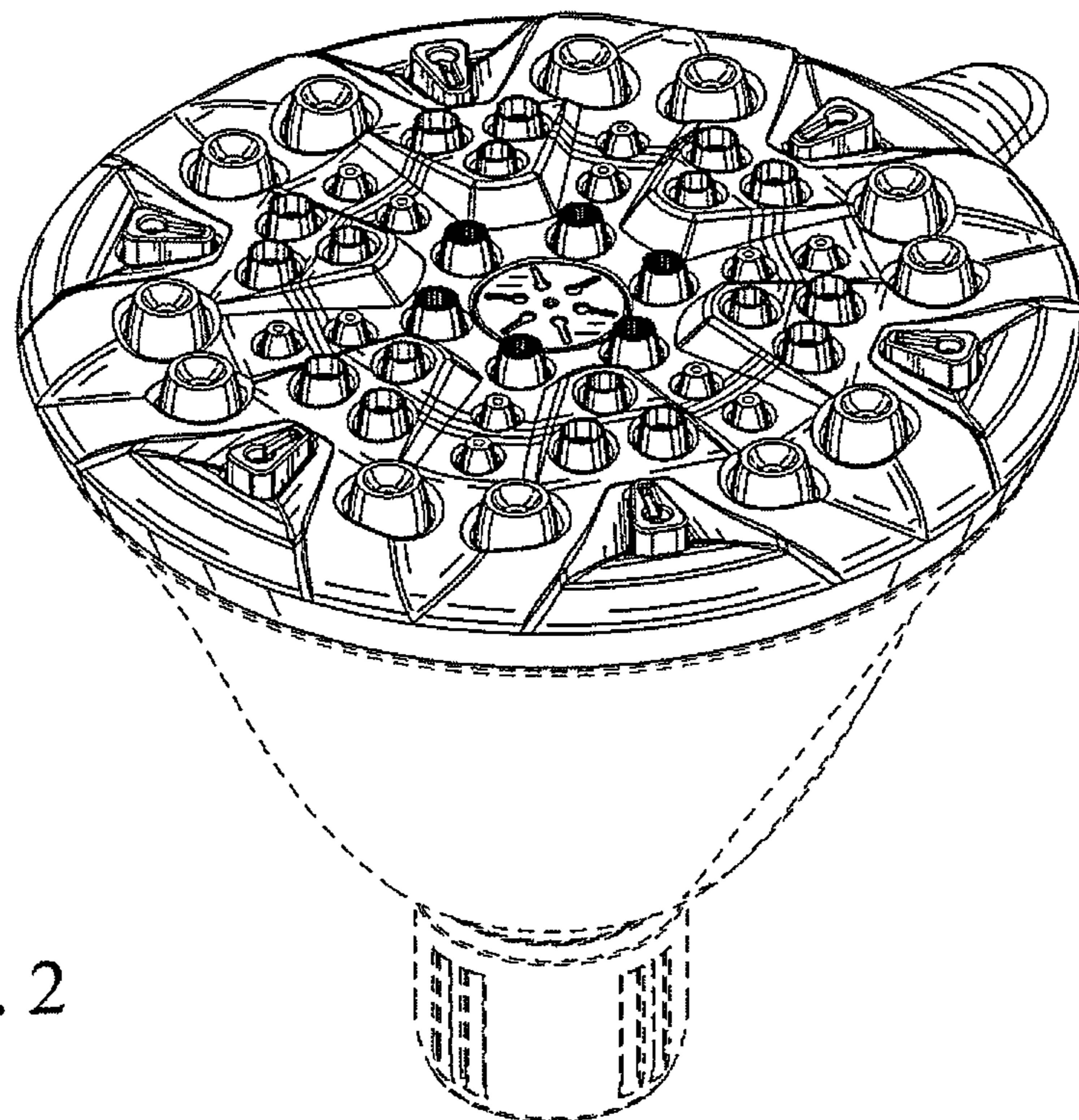


FIG. 2

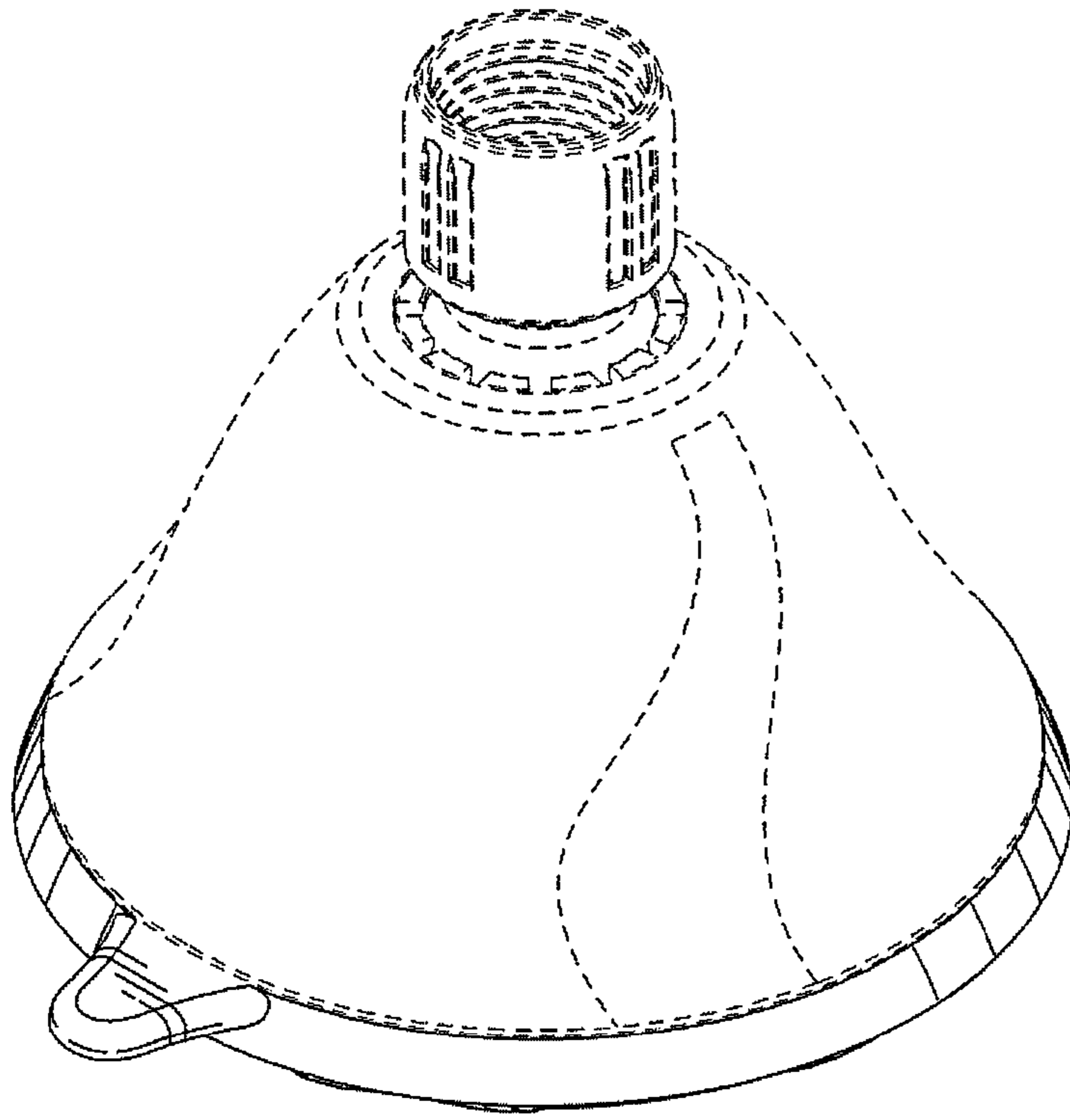
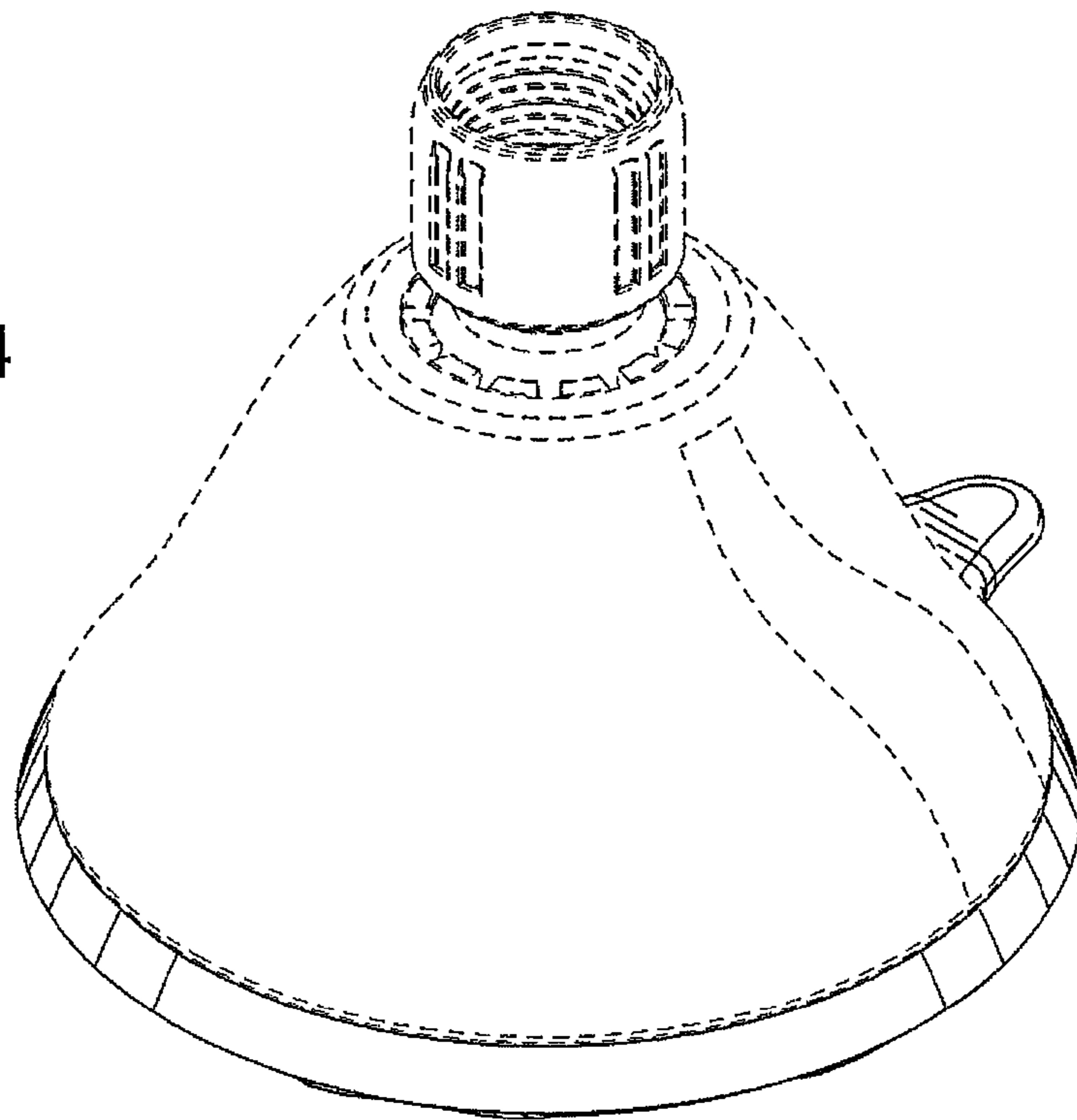


FIG. 3

FIG. 4



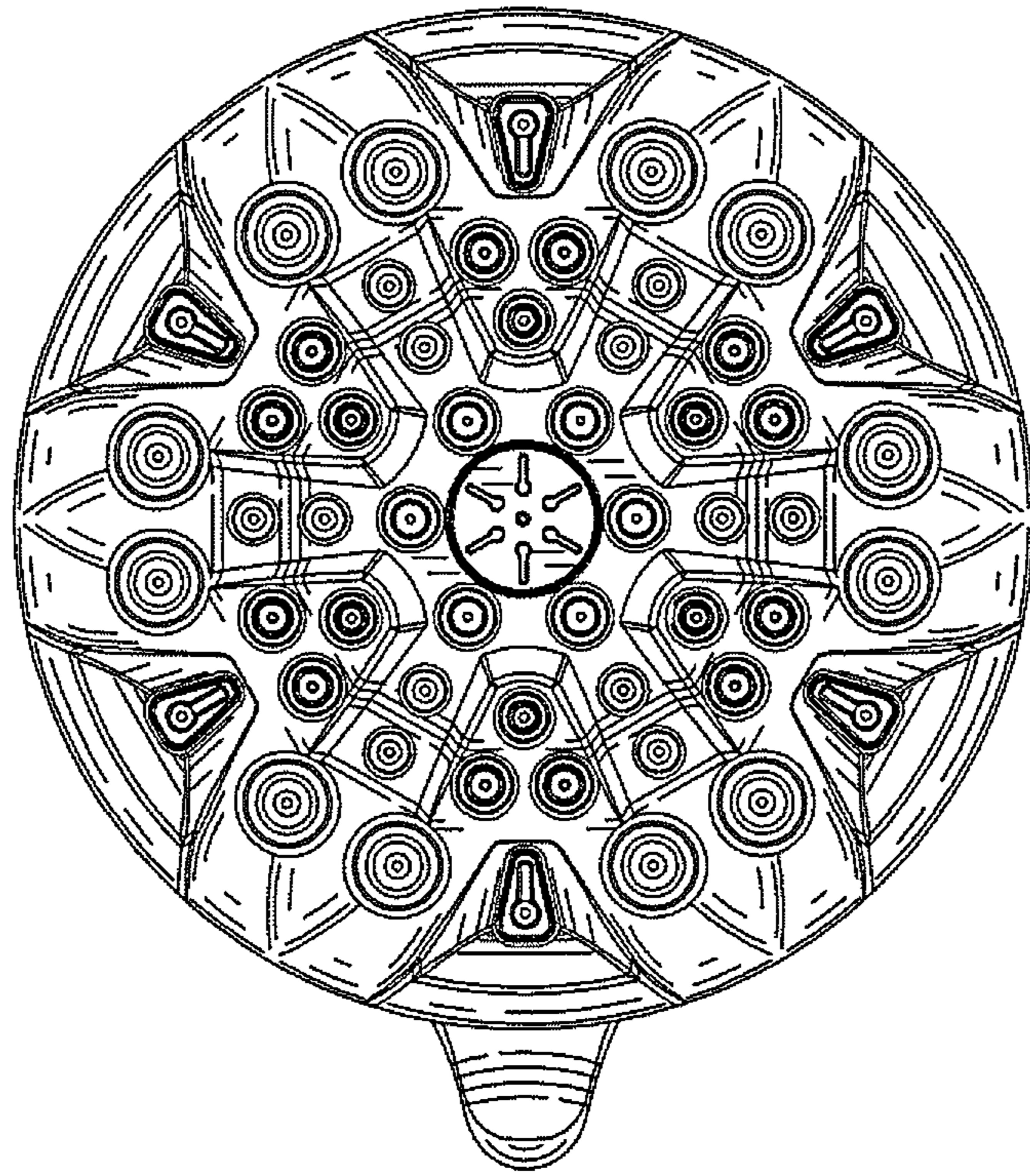


FIG. 5

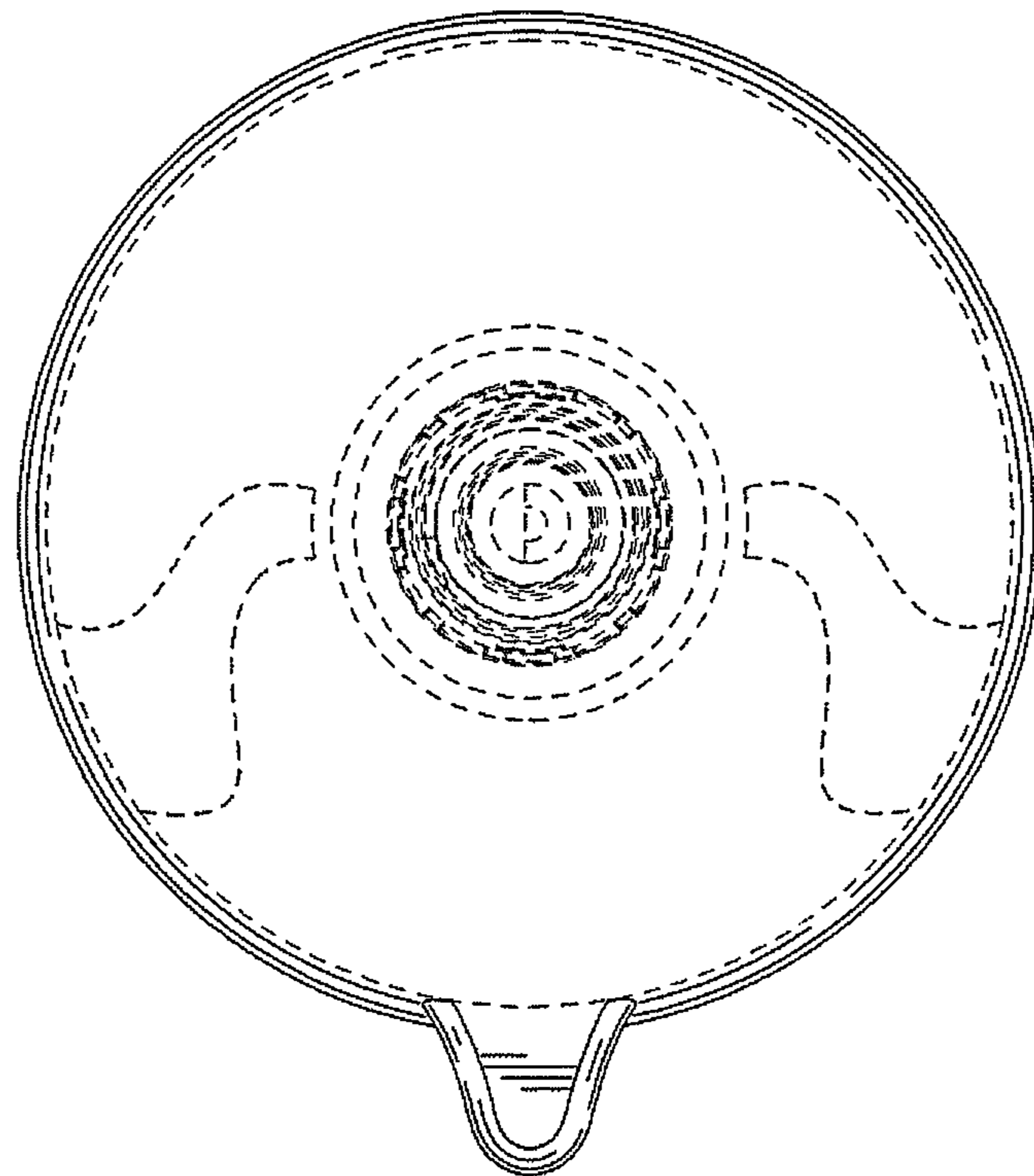


FIG. 6

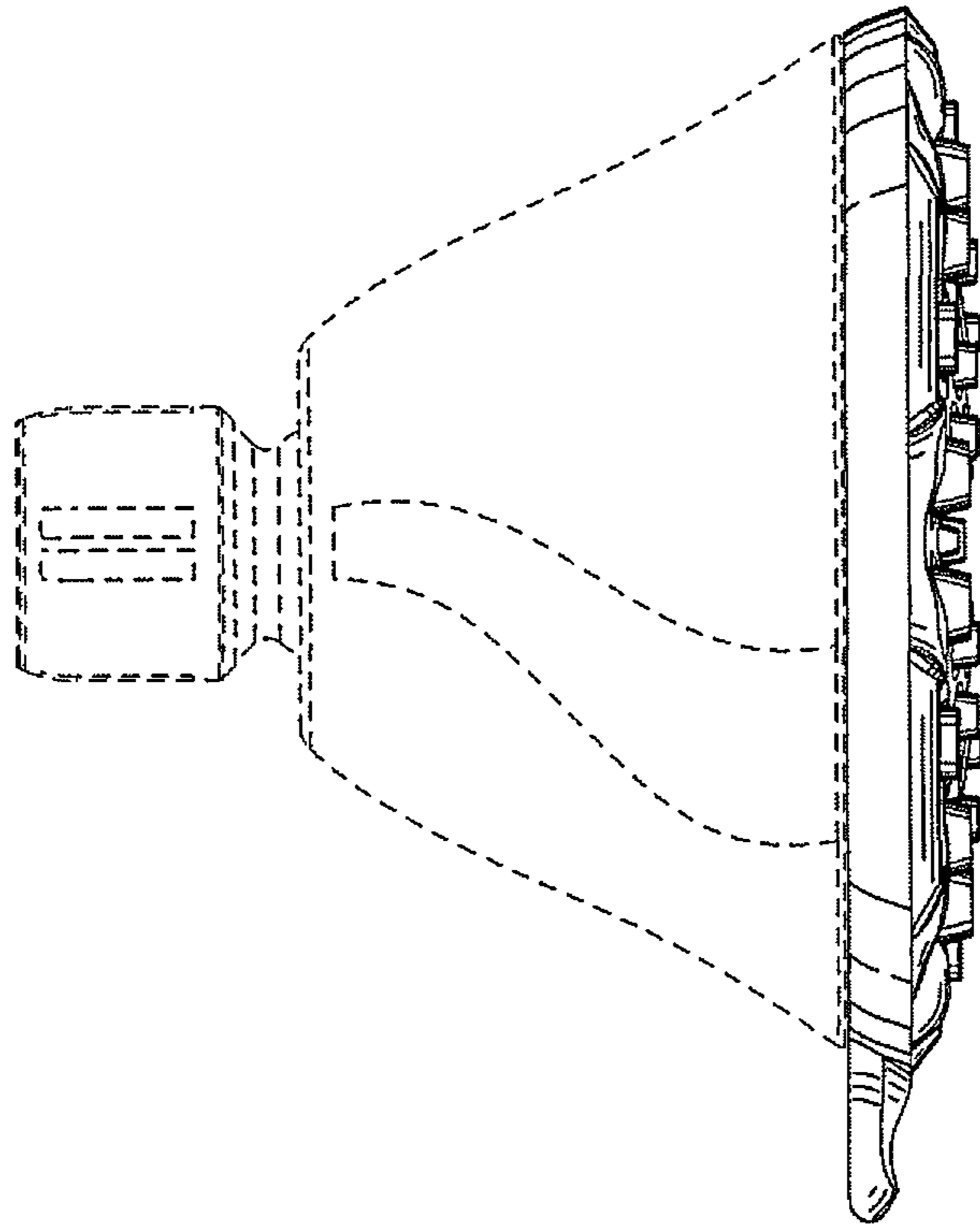


FIG. 7

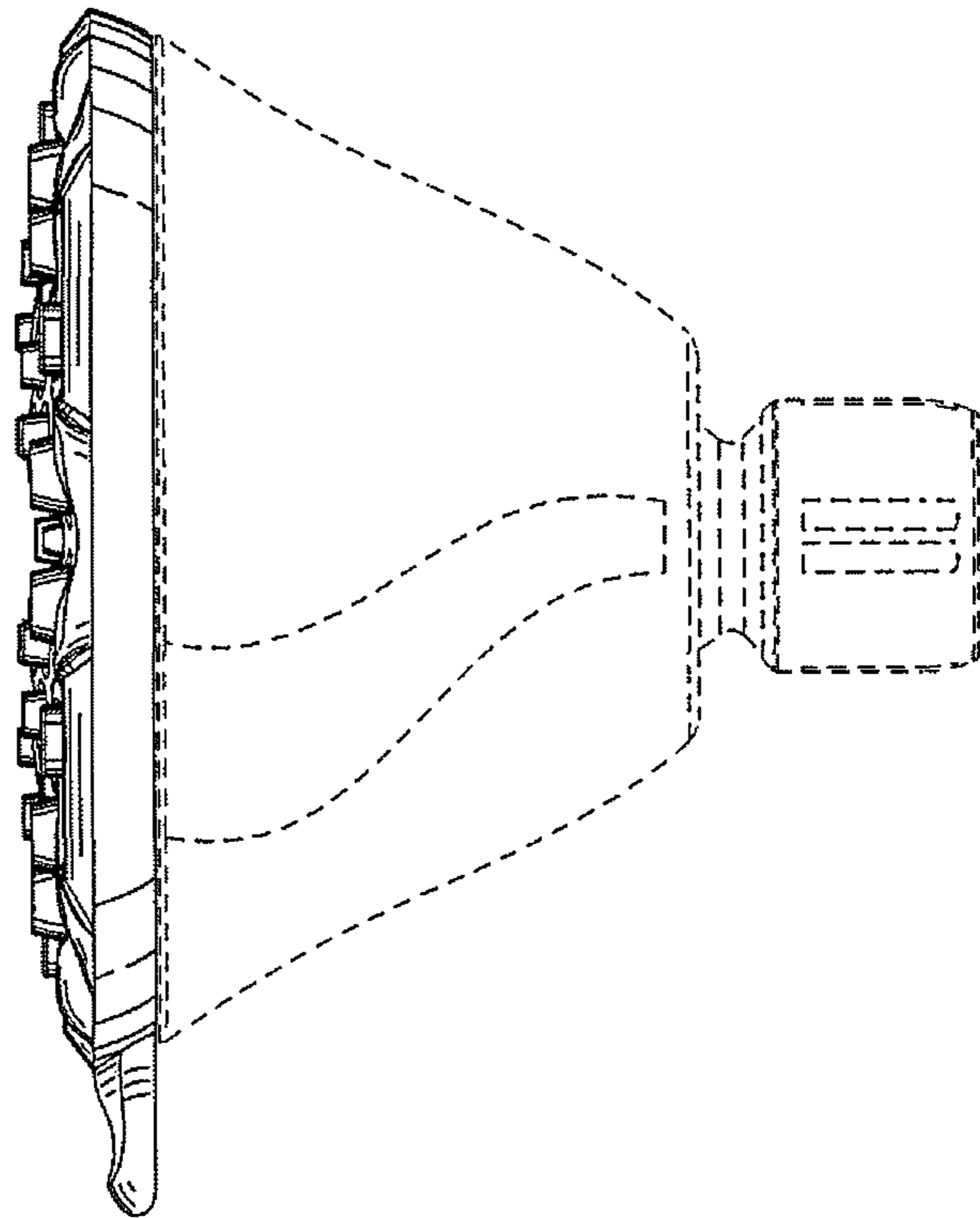


FIG. 8

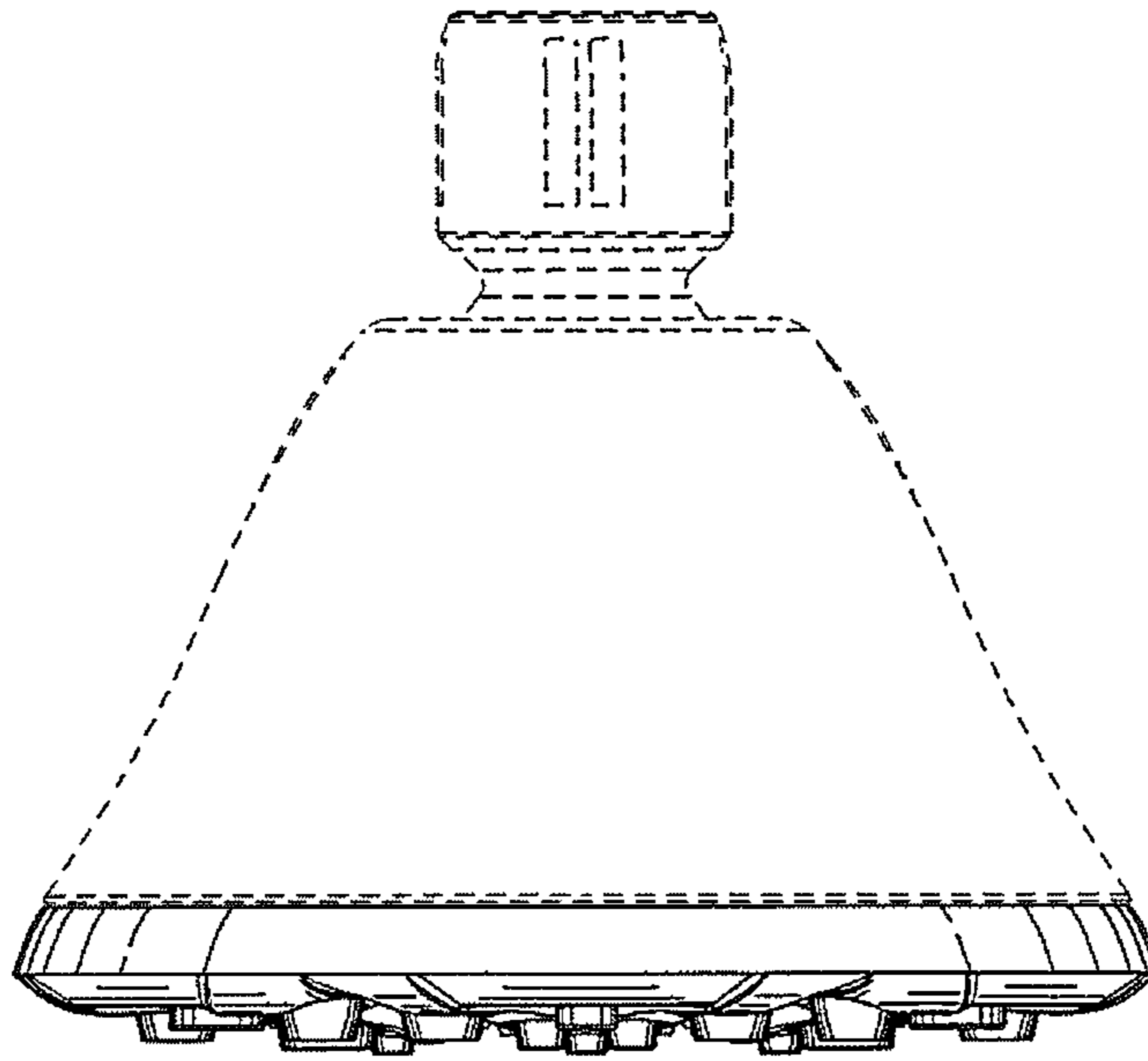


FIG. 9

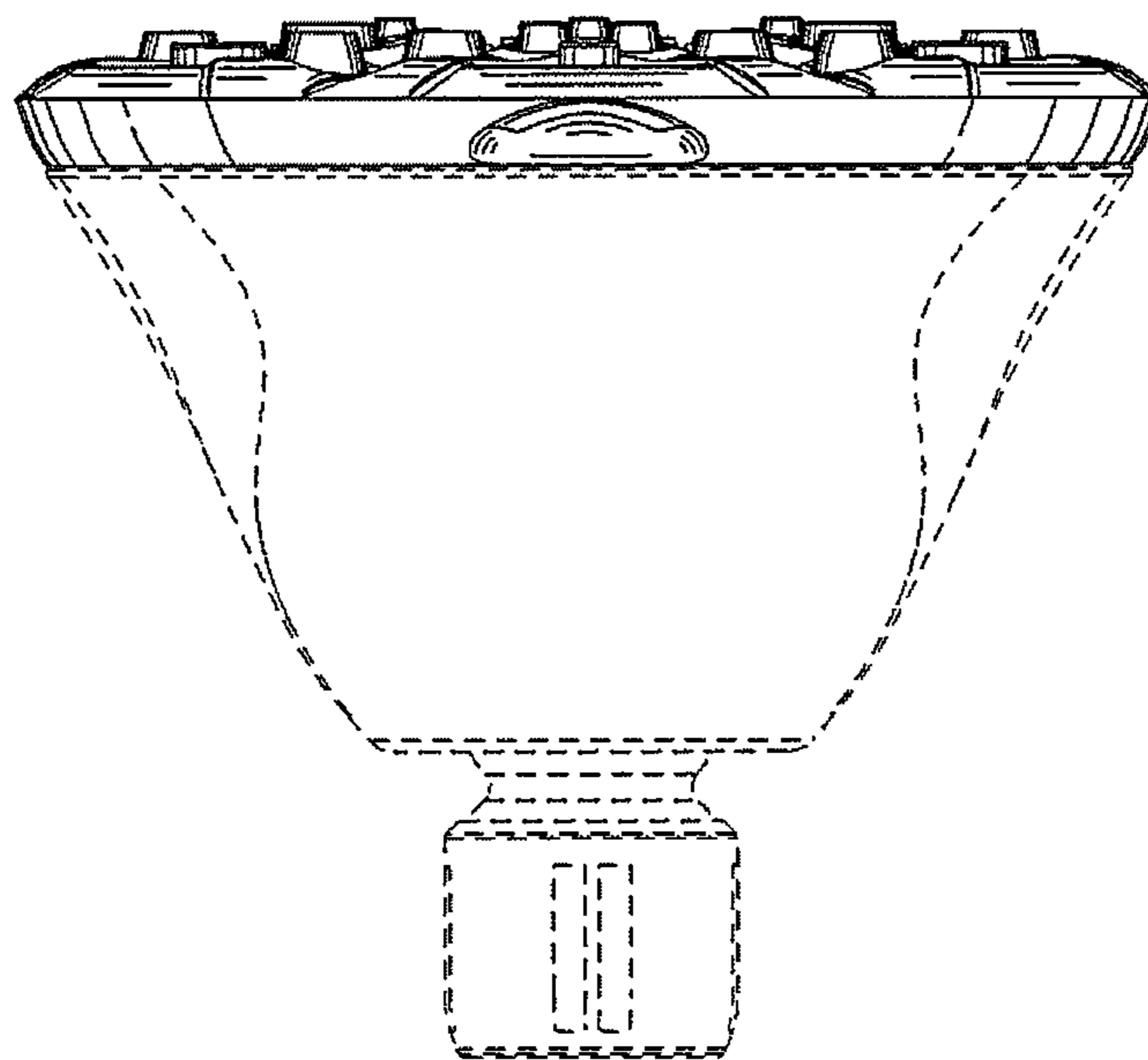


FIG. 10

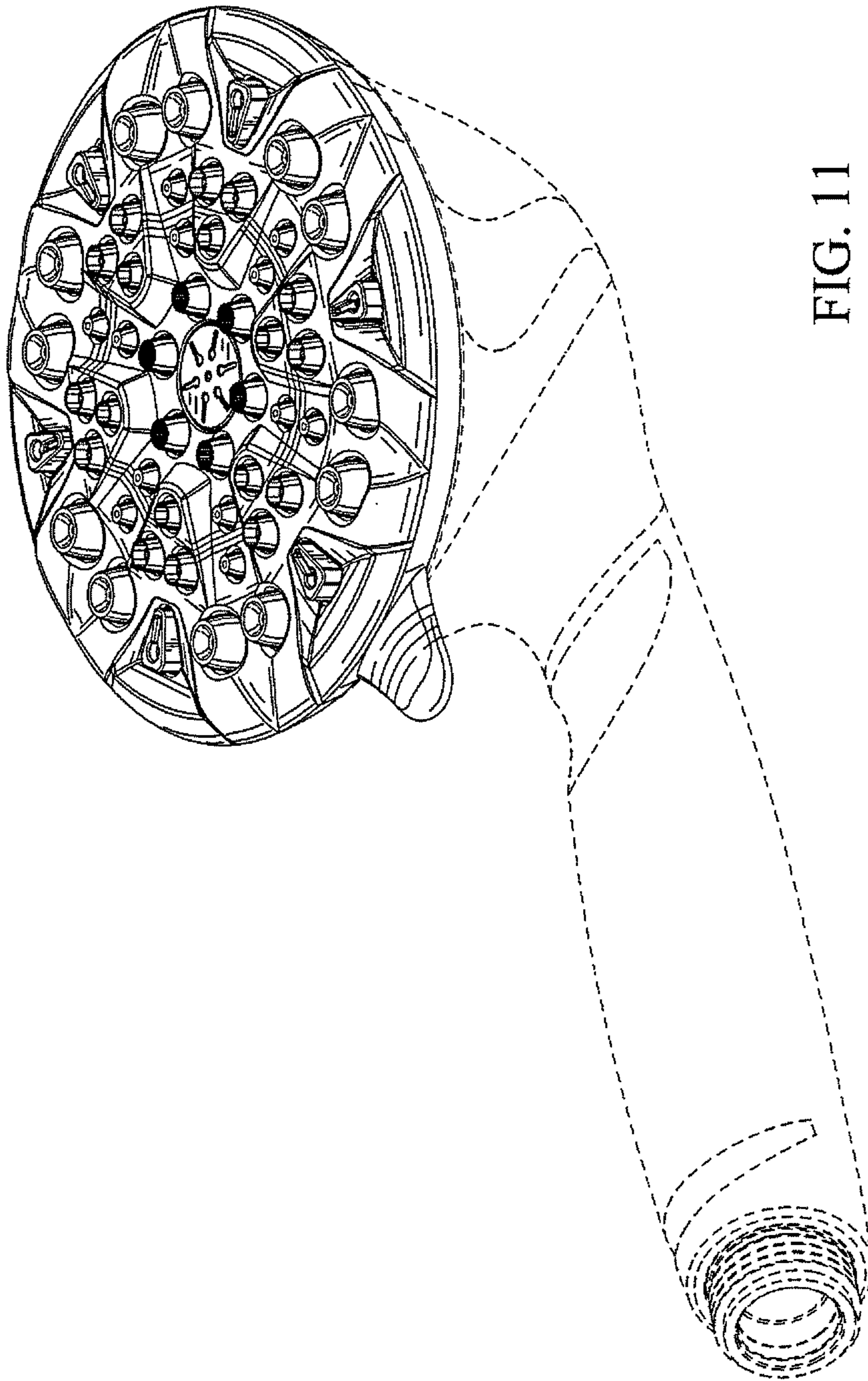


FIG. 11

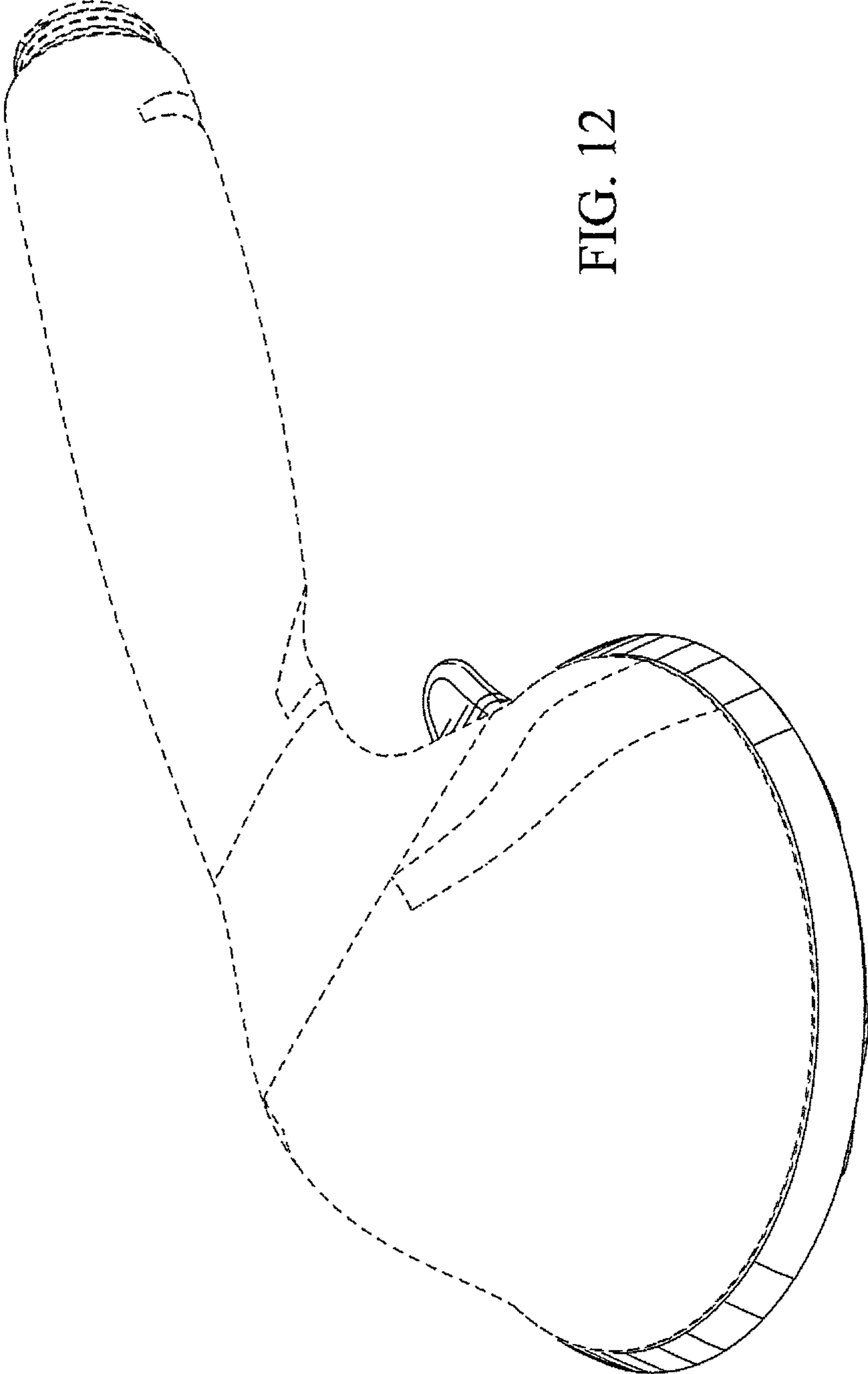


FIG. 12

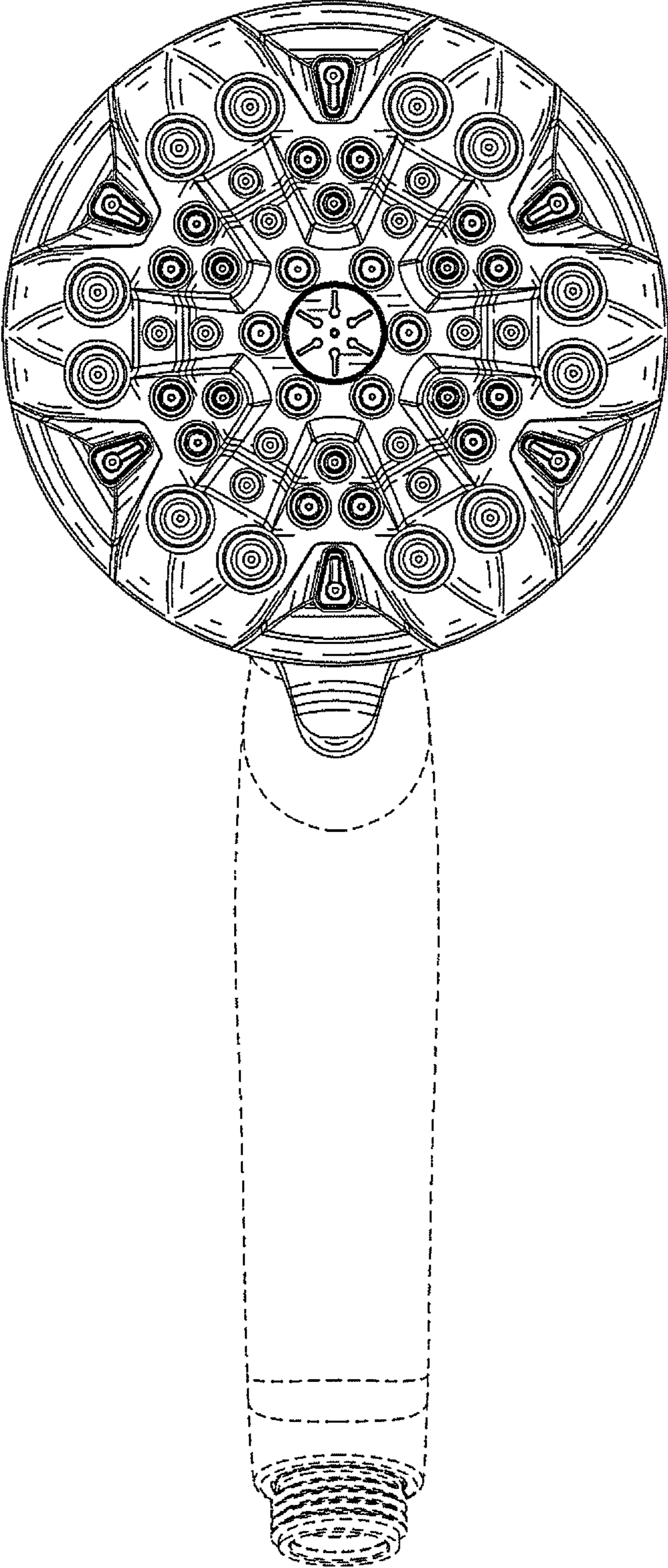


FIG. 13

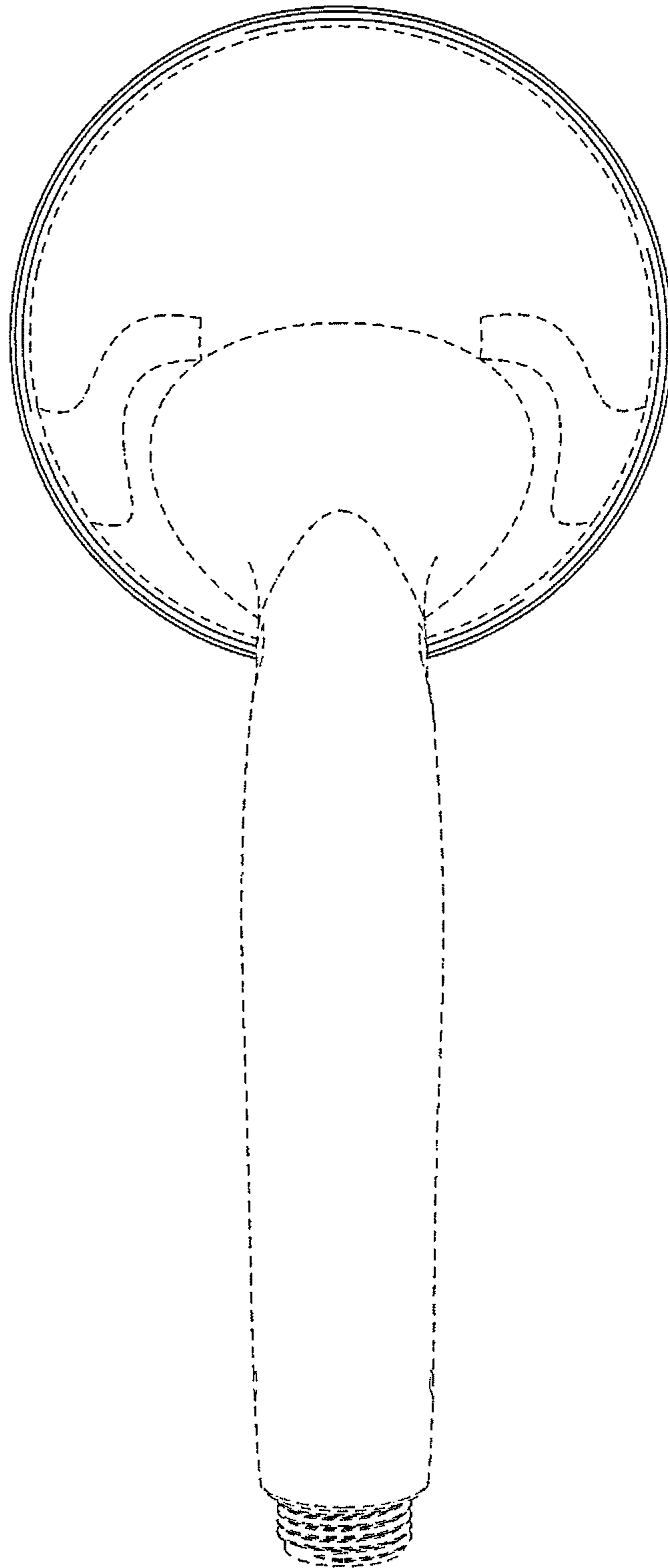


FIG. 14

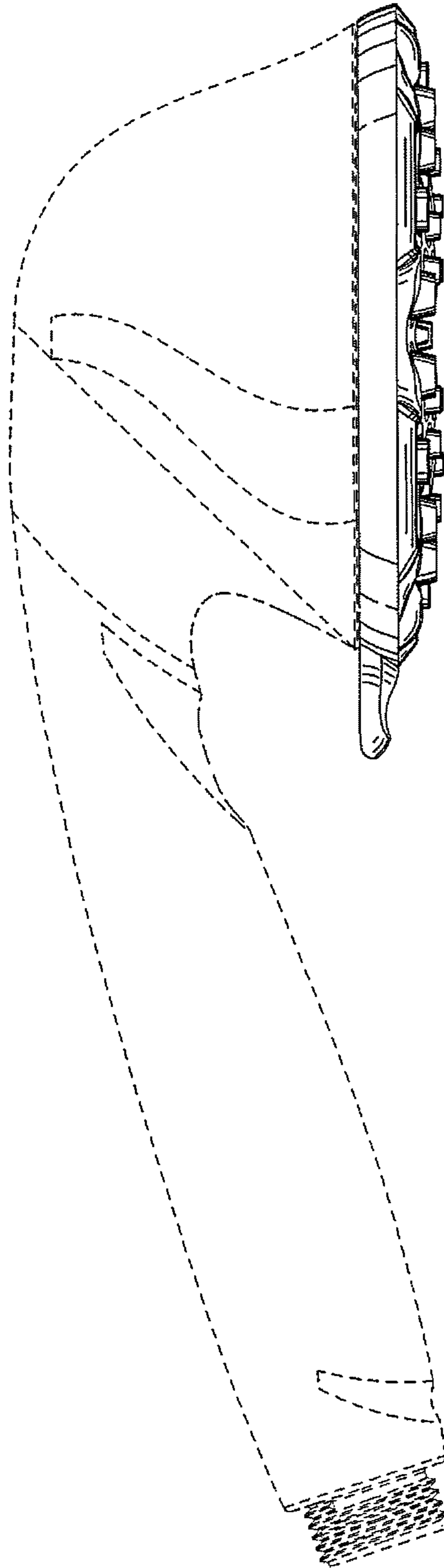


FIG. 15

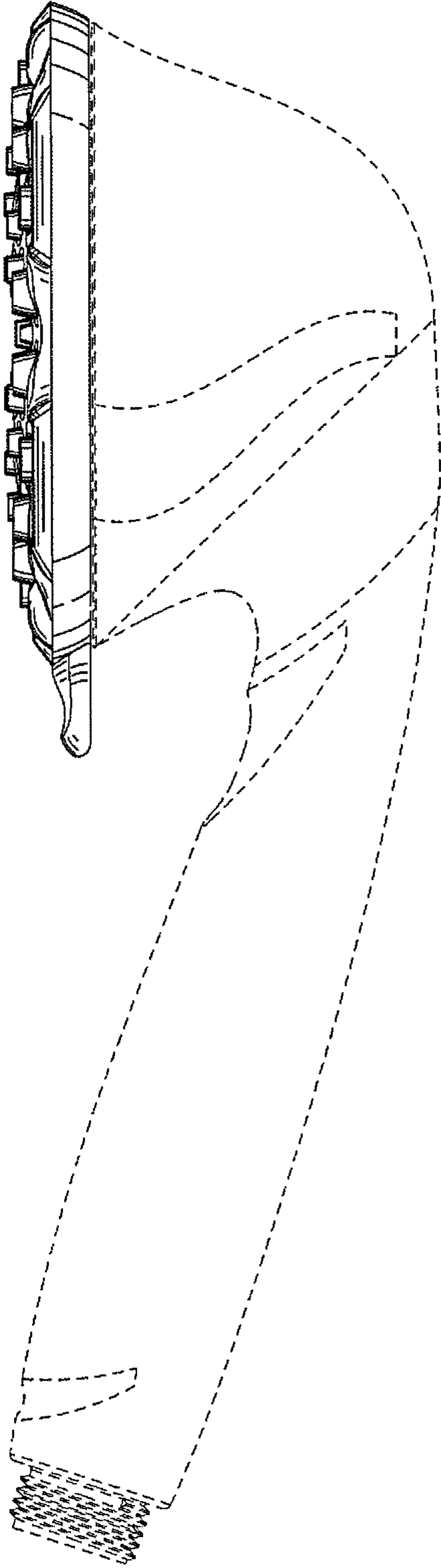


FIG. 16

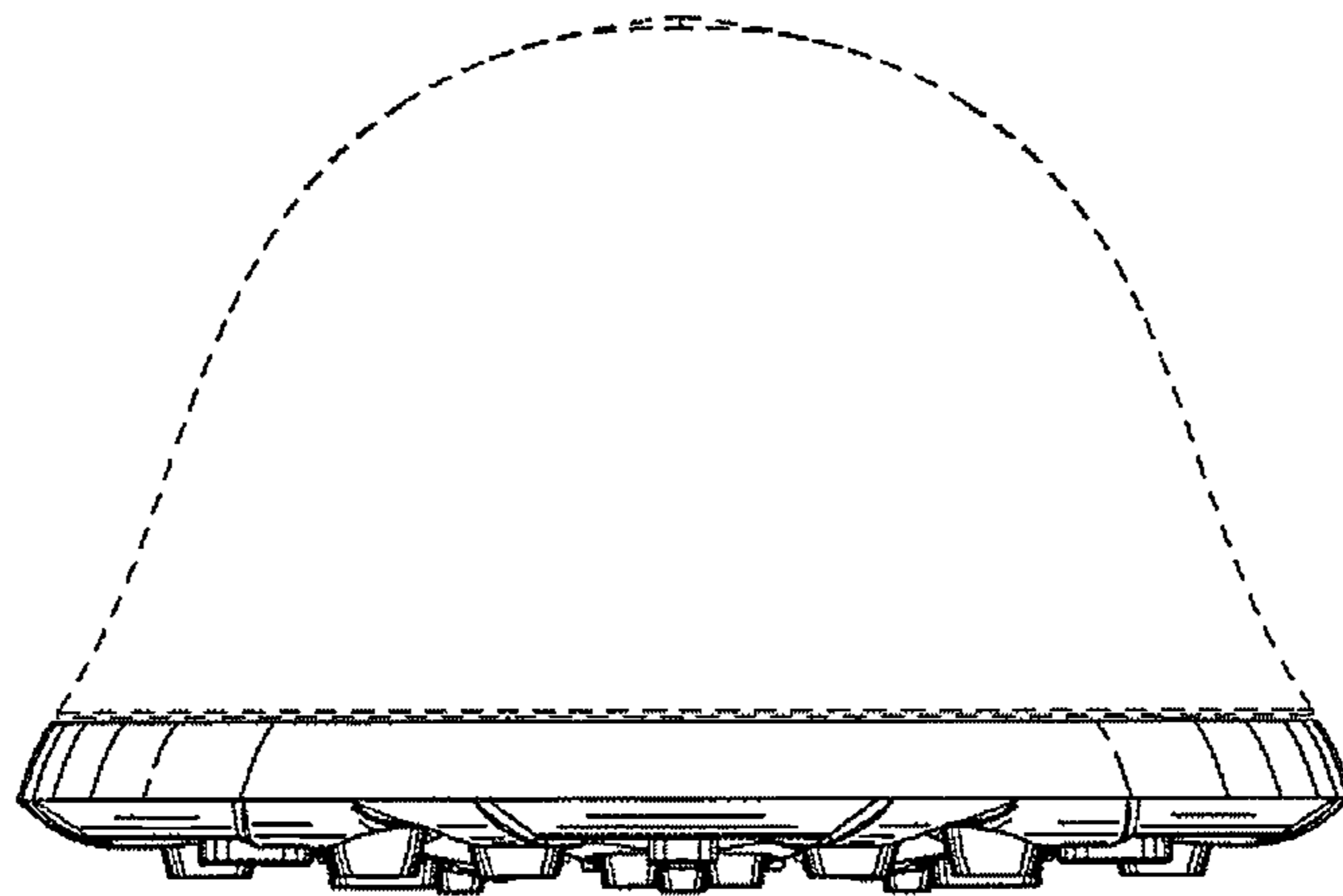


FIG. 17

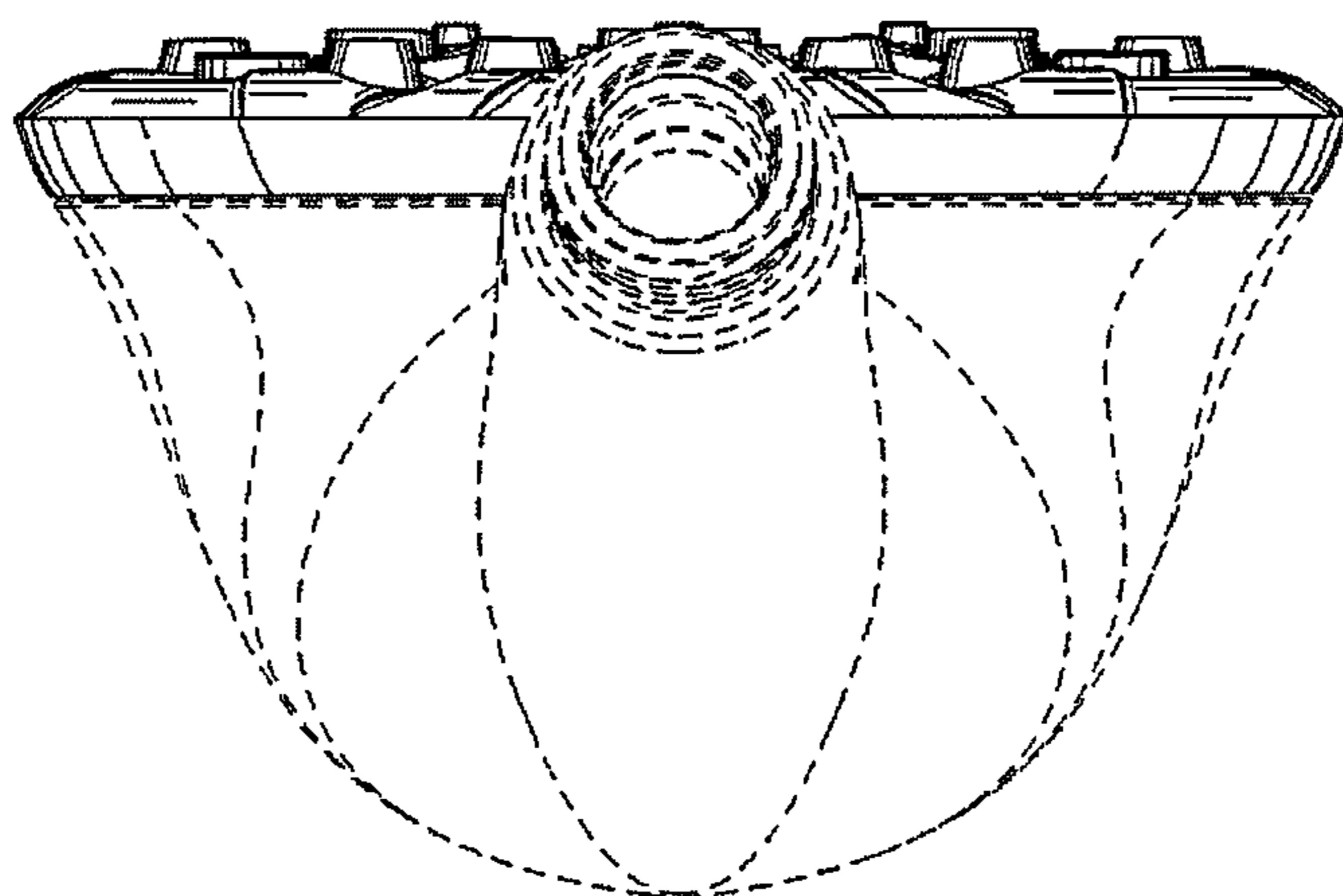


FIG. 18