



US00D705391S

(12) **United States Design Patent**
Okazaki et al.

(10) **Patent No.:** **US D705,391 S**

(45) **Date of Patent:** **** May 20, 2014**

(54) **DEGASSING AERATION MEMBRANE
MODULE**

(75) Inventors: **Hiroyuki Okazaki**, Toyohashi (JP);
Yoshie Tanizaki, Toyohashi (JP)

(73) Assignee: **Mitsubishi Rayon Co., Ltd.** (JP)

(**) Term: **14 Years**

(21) Appl. No.: **29/431,450**

(22) Filed: **Sep. 7, 2012**

(30) **Foreign Application Priority Data**

Mar. 7, 2012 (JP) 2012-005145

(51) **LOC (10) Cl.** **23-01**

(52) **U.S. Cl.**
USPC **D23/207**

(58) **Field of Classification Search**
USPC D23/207, 209; 96/4, 6; 95/46;
210/467.01

See application file for complete search history.

(56) **References Cited**

U.S. PATENT DOCUMENTS

4,729,773	A *	3/1988	Shirato et al.	96/6
D331,098	S *	11/1992	Boehme	D23/209
D331,447	S *	12/1992	Boehme et al.	D23/209
D561,299	S *	2/2008	Baba	D23/209
D561,300	S *	2/2008	Baba	D23/209
D654,558	S *	2/2012	Zeng	D23/209
8,449,659	B2 *	5/2013	Taylor et al.	96/6
8,506,685	B2 *	8/2013	Taylor et al.	96/6

FOREIGN PATENT DOCUMENTS

JP	A-2004-49947	2/2004
JP	D1368881	9/2009
JP	D1368882	9/2009
JP	D1368883	9/2009
JP	1386034	4/2010

OTHER PUBLICATIONS

“Fiberflo Hollow Fiber Filters,” stored in the Design Division in the JPO on May 31, 2006 (JPO Design Division Document No. HD18005351), and cited in Office Action issued May 28, 2013 from corresponding JP App. No. D2013-003601 (divisional of JP App. No. D2012-005145).

* cited by examiner

Primary Examiner — Robin V Webster

(74) *Attorney, Agent, or Firm* — SAIDMAN DesignLaw Group

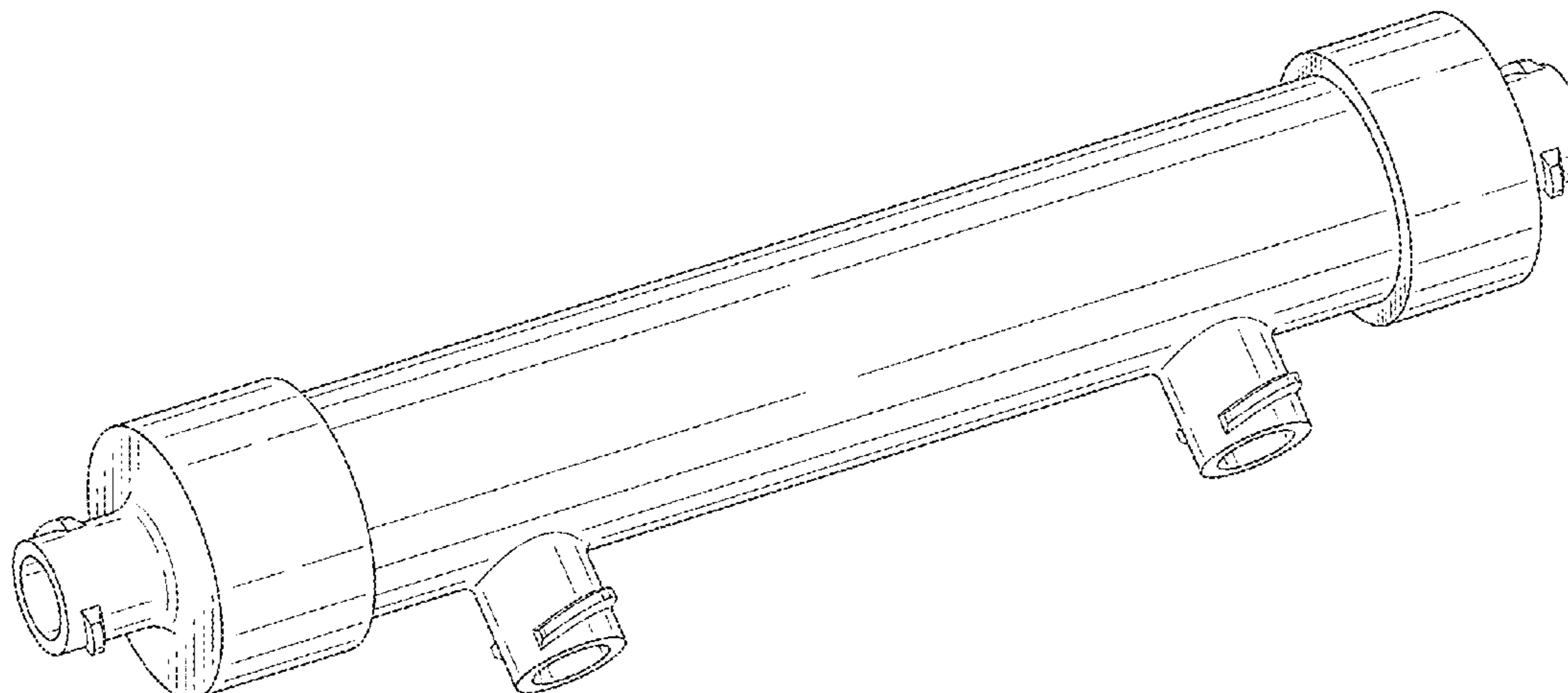
(57) **CLAIM**

The ornamental design for a degassing aeration membrane module, as shown and described.

DESCRIPTION

FIG. 1 is a perspective view of a degassing aeration membrane module showing our new design; FIG. 2 is a front elevational view thereof; FIG. 3 is a rear elevational view thereof; FIG. 4 is a left side elevational view thereof; FIG. 5 is a right side elevational view thereof; FIG. 6 is a top plan view thereof; and, FIG. 7 is a bottom plan view thereof.

1 Claim, 3 Drawing Sheets



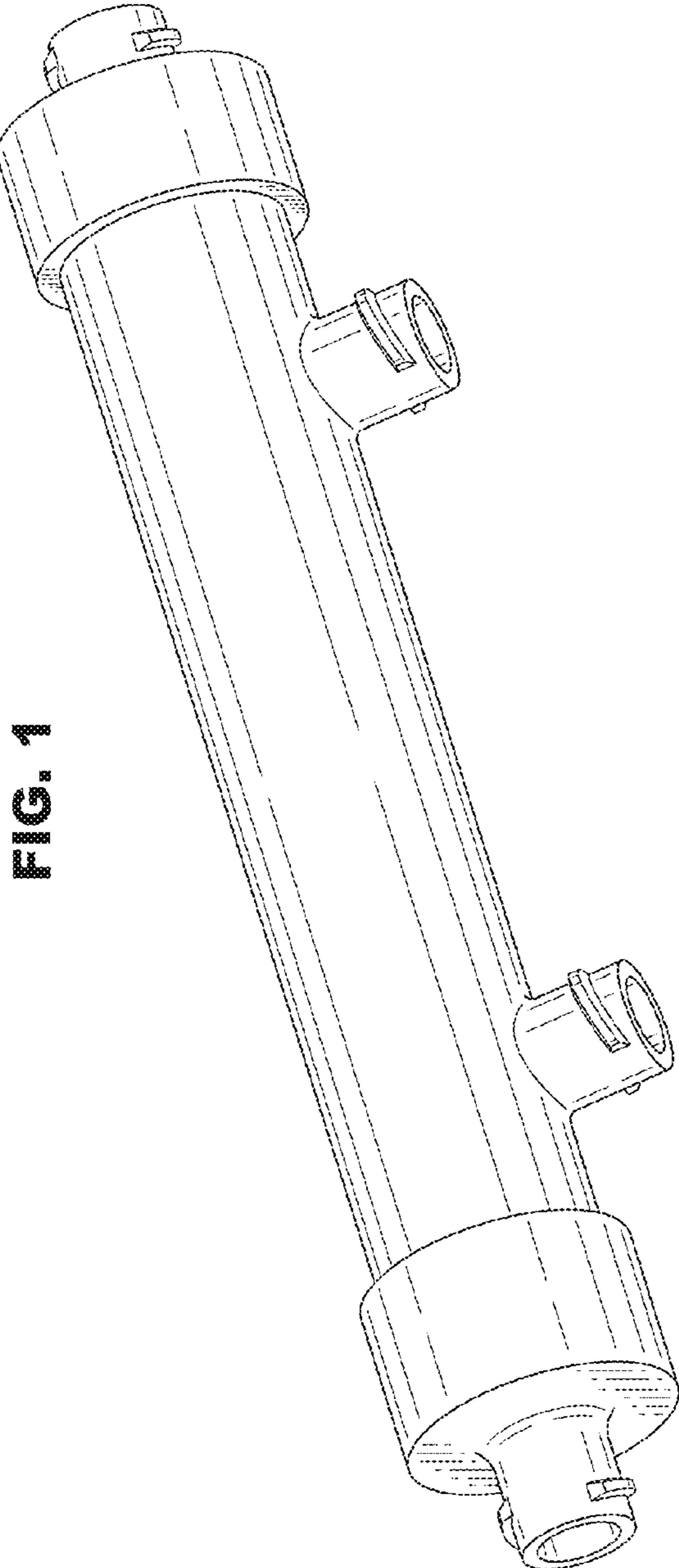


FIG. 1

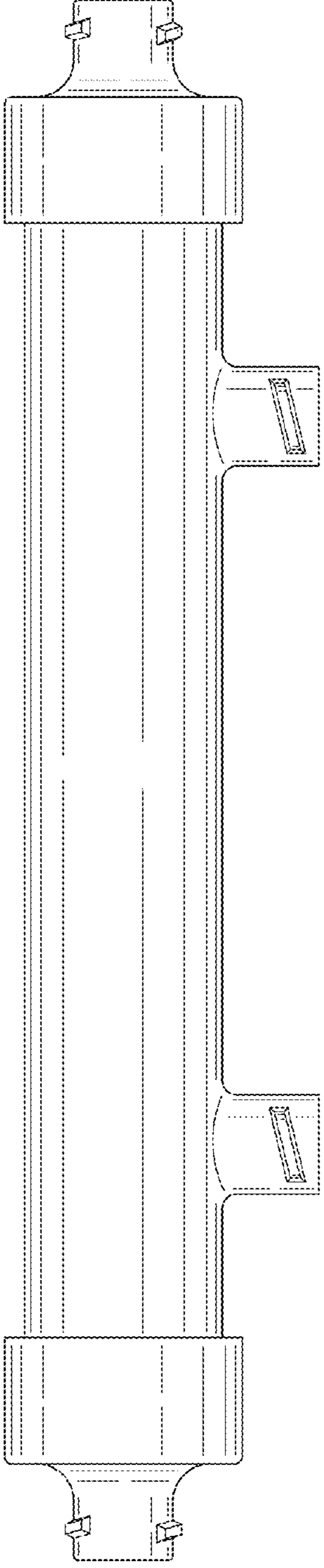


FIG. 2

FIG. 3

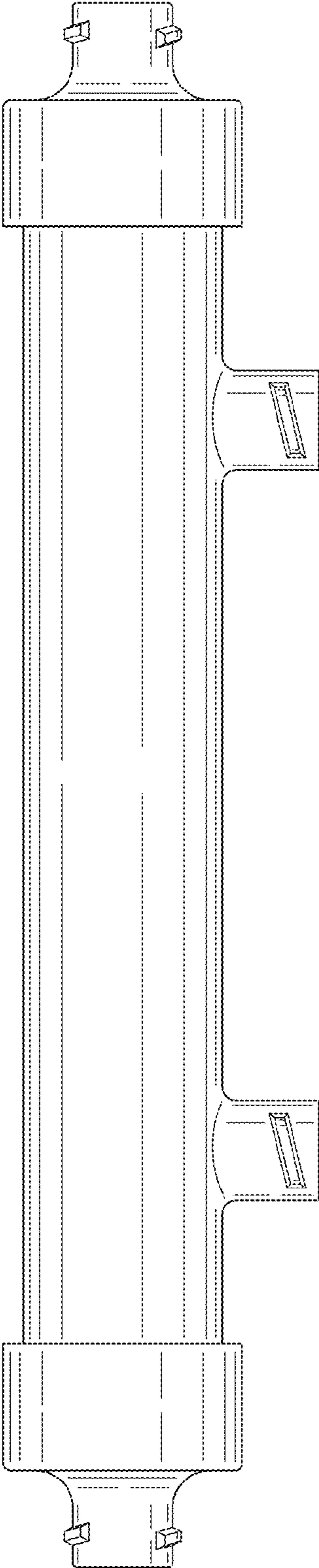


FIG. 4

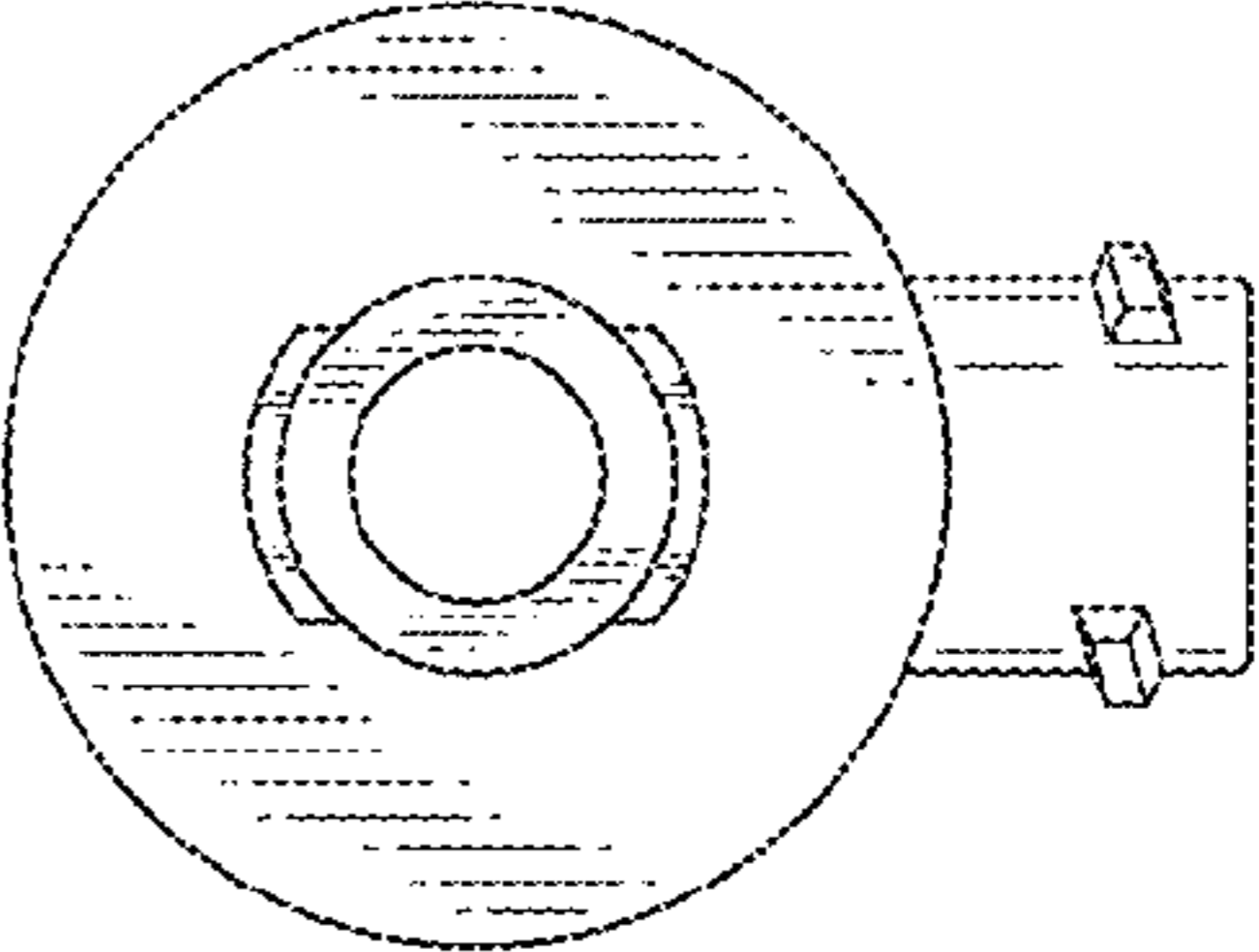


FIG. 5

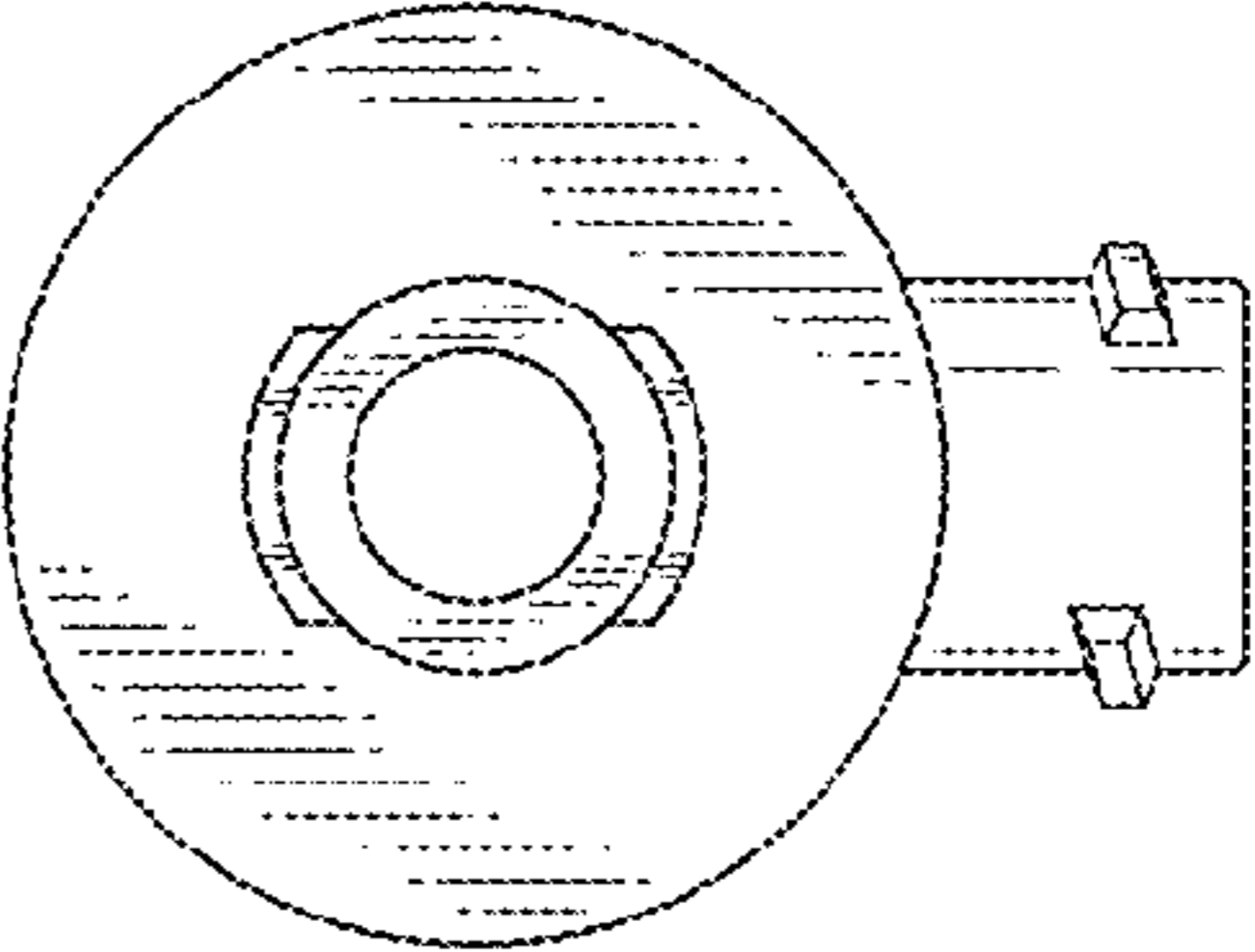


FIG. 6

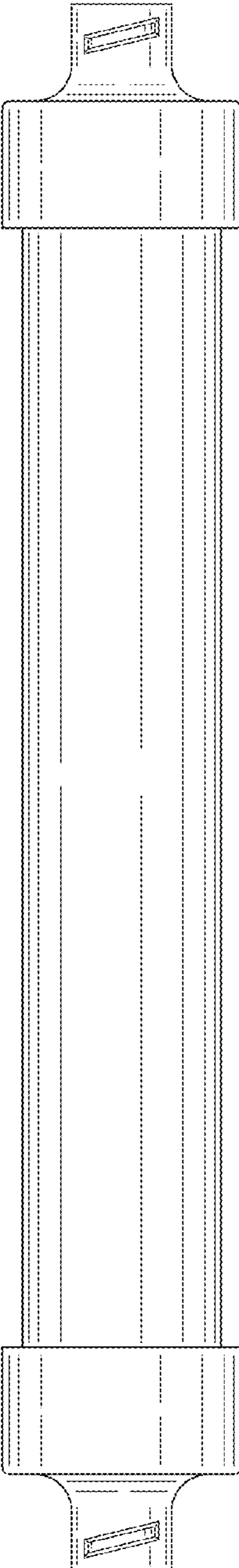


FIG. 7

