



US00D705390S

(12) **United States Design Patent**
Okazaki et al.

(10) **Patent No.:** **US D705,390 S**

(45) **Date of Patent:** **** May 20, 2014**

(54) **DEGASSING AERATION MEMBRANE
MODULE**

(75) Inventors: **Hiroyuki Okazaki**, Toyohashi (JP);
Yoshie Tanizaki, Toyohashi (JP)

(73) Assignee: **Mitsubishi Rayon Co., Ltd.** (JP)

(**) Term: **14 Years**

(21) Appl. No.: **29/431,447**

(22) Filed: **Sep. 7, 2012**

(30) **Foreign Application Priority Data**

Mar. 7, 2012 (JP) 2012-005146

(51) **LOC (10) Cl.** **23-01**

(52) **U.S. Cl.**
USPC **D23/207**

(58) **Field of Classification Search**
USPC D23/207, 209; 96/4, 6; 95/46;
210/467.01
See application file for complete search history.

(56) **References Cited**

U.S. PATENT DOCUMENTS

4,729,773 A * 3/1988 Shirato et al. 96/6
D331,098 S * 11/1992 Boehme D23/209
D331,447 S * 12/1992 Boehme et al. D23/209

D561,299 S * 2/2008 Baba D23/209
D561,300 S * 2/2008 Baba D23/209
D654,558 S * 2/2012 Zeng D23/209
8,449,659 B2 * 5/2013 Taylor et al. 96/6
8,506,685 B2 * 8/2013 Taylor et al. 96/6

FOREIGN PATENT DOCUMENTS

JP D1368881 9/2009
JP D1368882 9/2009
JP D1368883 9/2009

* cited by examiner

Primary Examiner — Robin V Webster

(74) *Attorney, Agent, or Firm* — SAIDMAN DesignLaw
Group

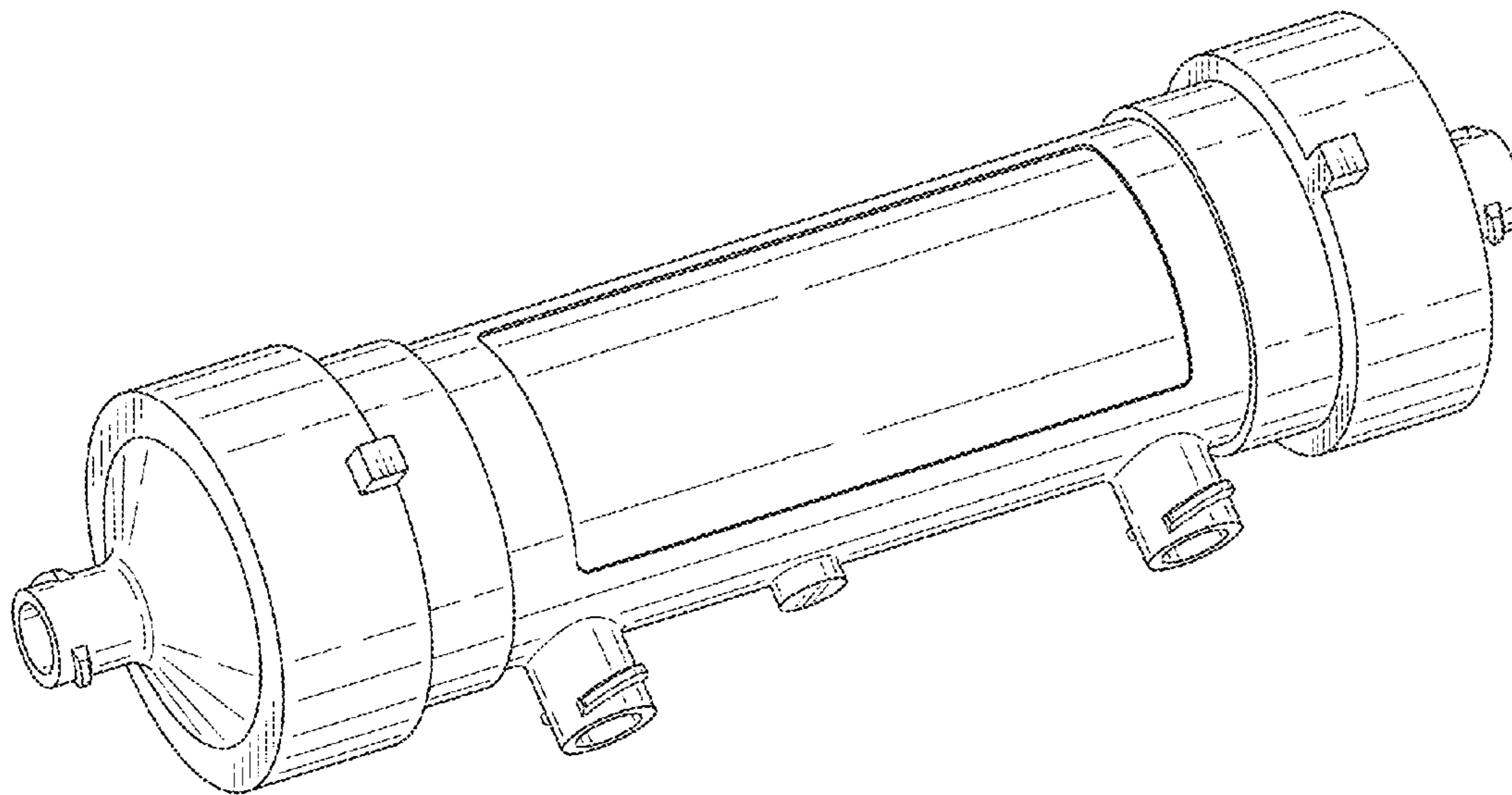
(57) **CLAIM**

The ornamental design for a degassing aeration membrane module, as shown and described.

DESCRIPTION

FIG. 1 is a perspective view of a degassing aeration membrane module showing our new design;
FIG. 2 is a front elevational view thereof;
FIG. 3 is a rear elevational view thereof;
FIG. 4 is a left side elevational view thereof;
FIG. 5 is a right side elevational view thereof;
FIG. 6 is a top plan view thereof; and,
FIG. 7 is a bottom plan view thereof.

1 Claim, 3 Drawing Sheets



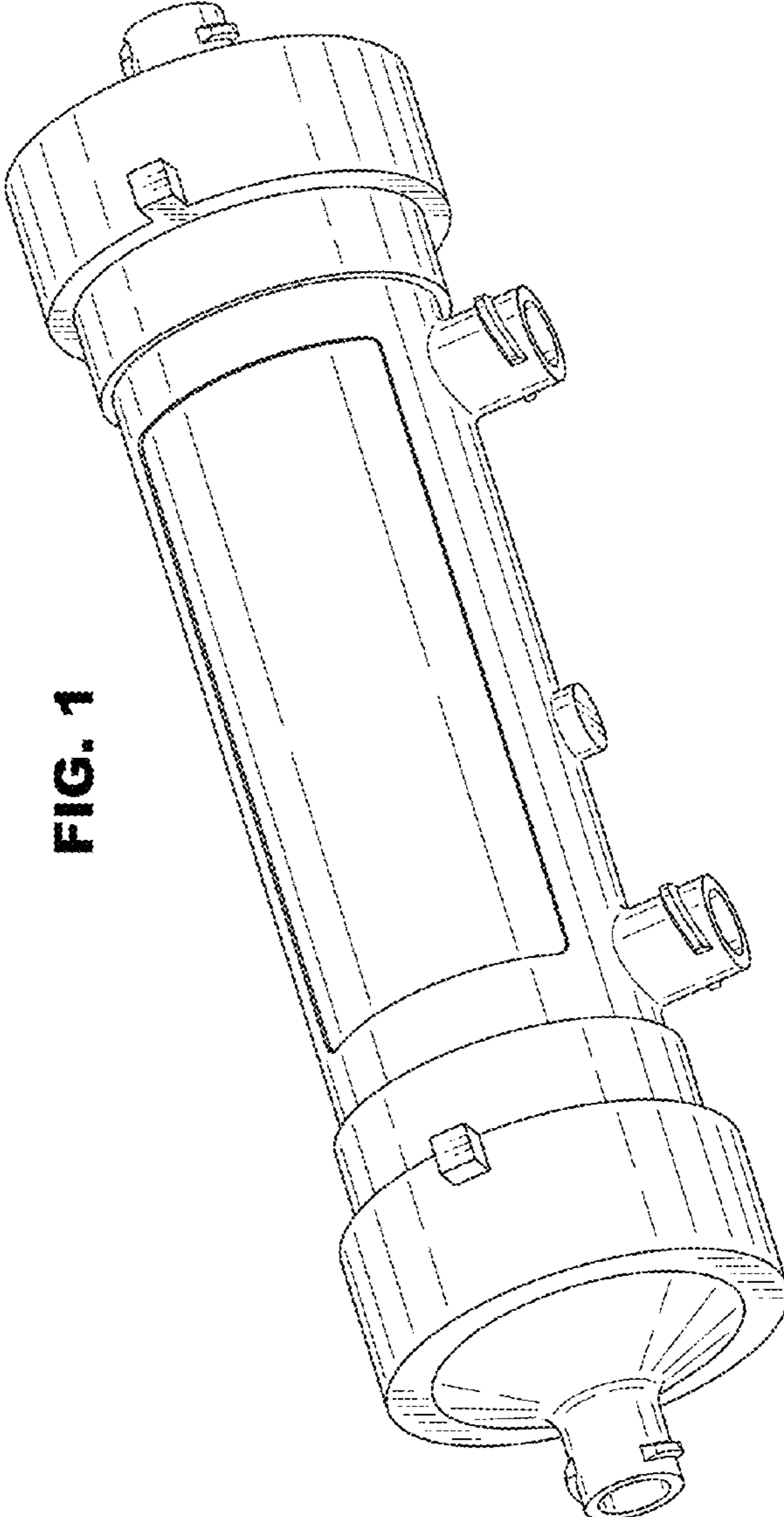


FIG. 1

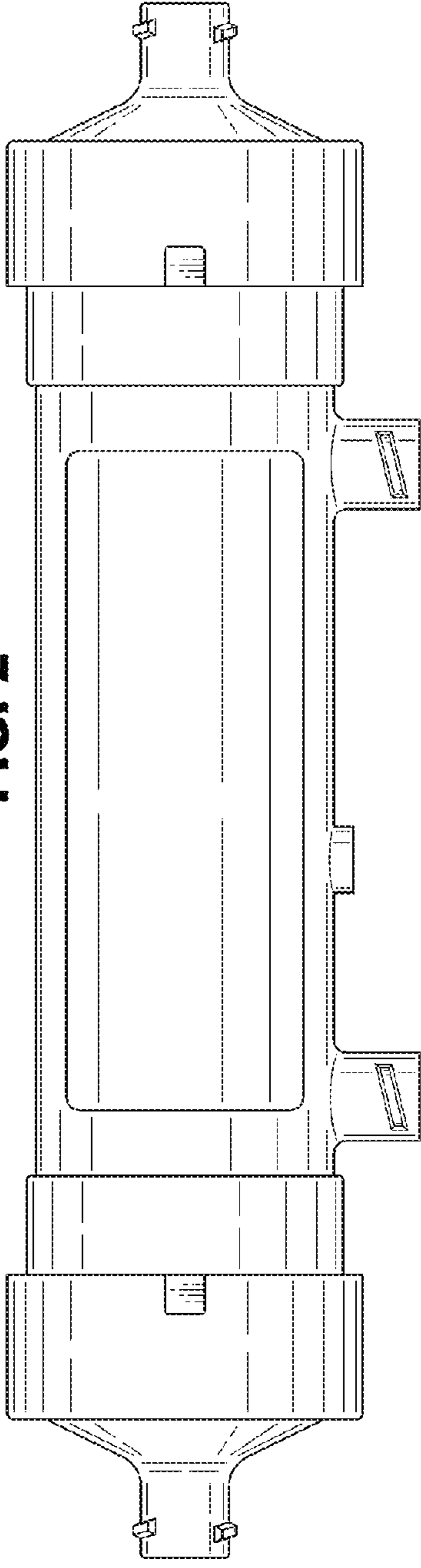


FIG. 2

FIG. 3

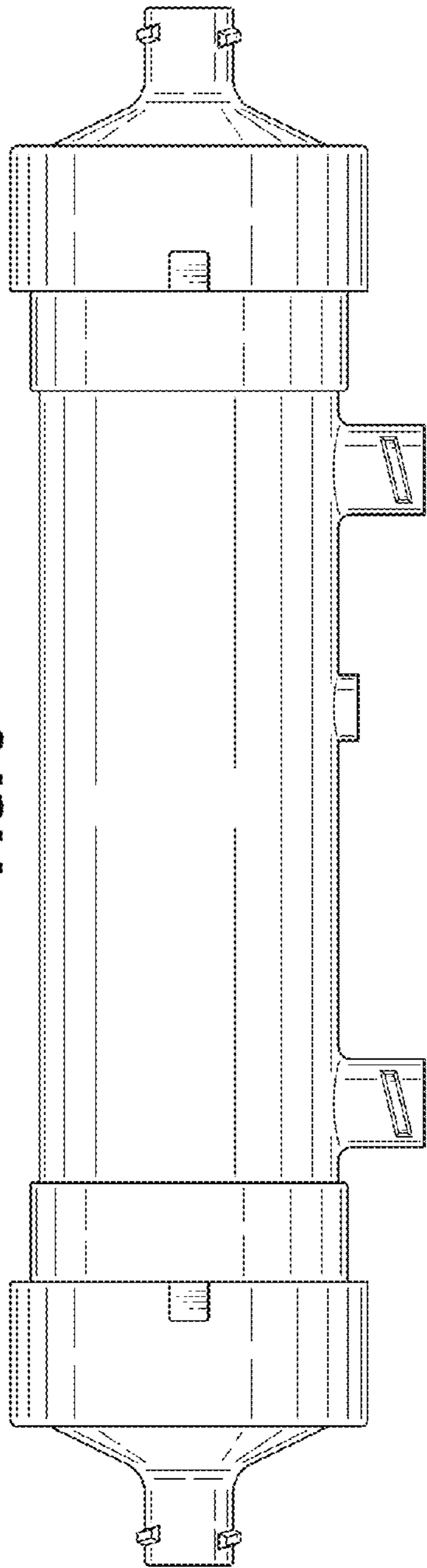


FIG. 4

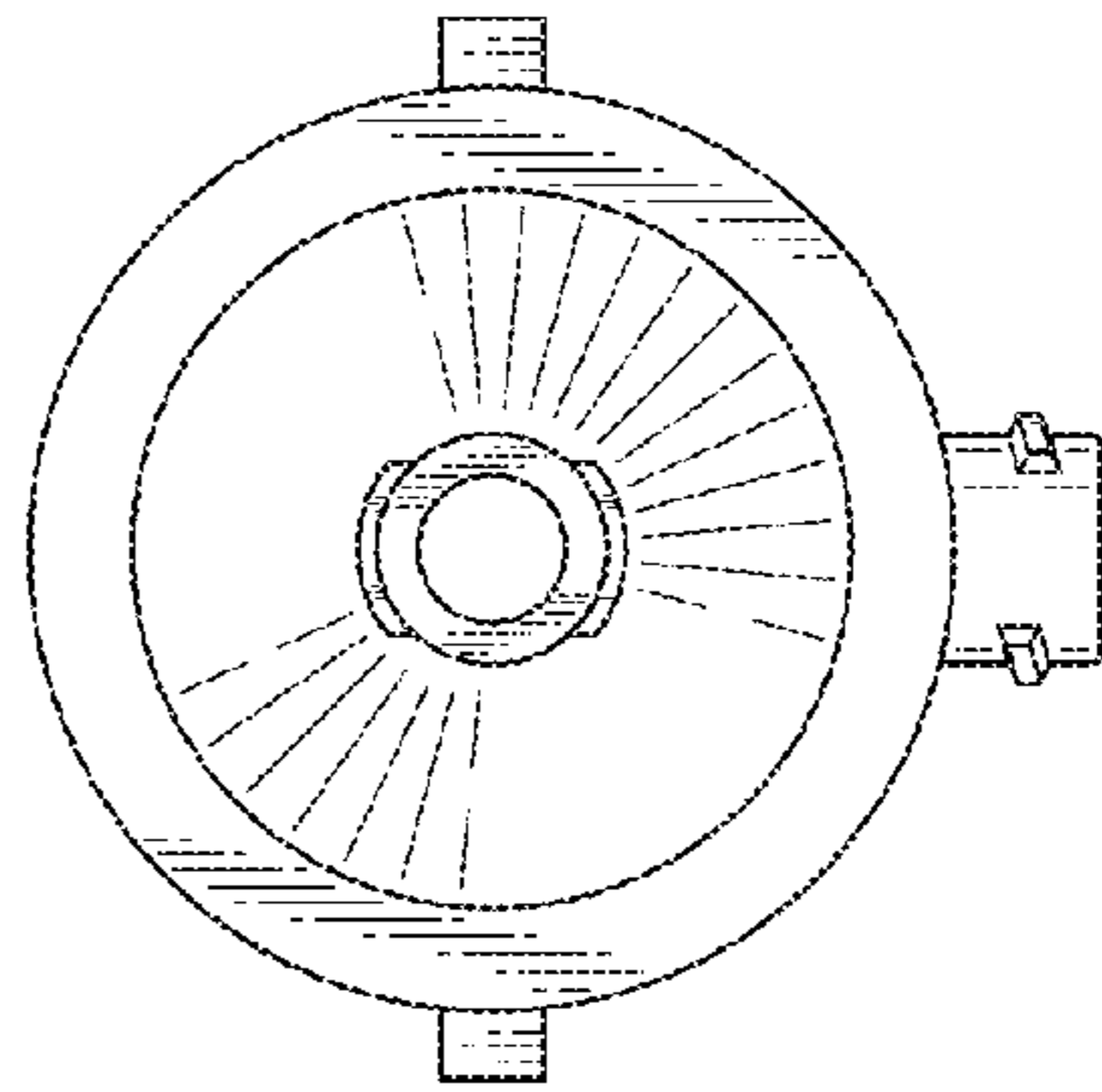


FIG. 5

