



US00D705386S

(12) **United States Design Patent**  
**Gray**

(10) **Patent No.:** **US D705,386 S**

(45) **Date of Patent:** **\*\* May 20, 2014**

(54) **BAIT KEEPER**

6,240,672 B1 6/2001 Huppert  
6,405,477 B1 6/2002 Huppert  
7,140,146 B2 11/2006 Gill

(71) Applicant: **Matthew K. Gray**, Arvada, CO (US)

(72) Inventor: **Matthew K. Gray**, Arvada, CO (US)

(73) Assignee: **Wright & McGill Co.**, Denver, CO (US)

(\*\*) Term: **14 Years**

(21) Appl. No.: **29/458,755**

(22) Filed: **Jun. 21, 2013**

(51) **LOC (10) Cl.** ..... **22-05**

(52) **U.S. Cl.**  
USPC ..... **D22/144**

(58) **Field of Classification Search**  
USPC ..... D22/134, 144–146, 149, 199; 43/42.48,  
43/42.31, 42.28, 44.8, 42.37, 57.1, 25.2  
See application file for complete search history.

(56) **References Cited**

**U.S. PATENT DOCUMENTS**

D153,366	S	*	4/1949	Kocarek	.....	D22/149
2,993,293	A	*	7/1961	Blout	.....	43/57.1
4,418,490	A	*	12/1983	Ancona	.....	43/25.2
D320,060	S	*	9/1991	Austin	.....	D22/144
D331,788	S	*	12/1992	Jensen	.....	D22/126
D384,725	S	*	10/1997	Drury, Jr.	.....	D22/126

**OTHER PUBLICATIONS**

U.S. Appl. No. 29/458,753, filed Jun. 21, 2013, LaFlamme.

\* cited by examiner

*Primary Examiner* — Catheri Oliver-Garcia

(74) *Attorney, Agent, or Firm* — Sheridan Ross P.C.

(57) **CLAIM**

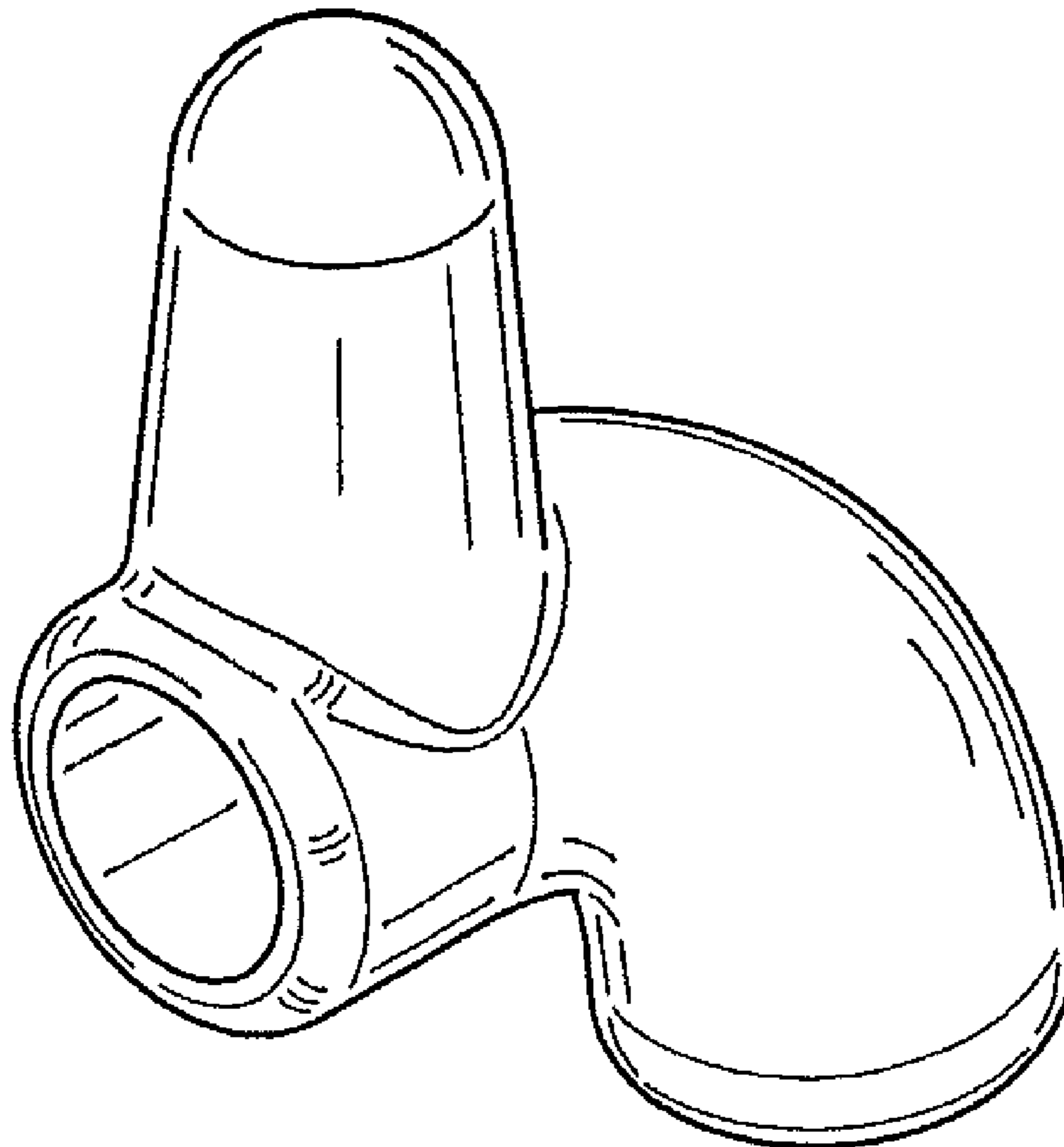
The ornamental design for a bait keeper, as shown and described.

**DESCRIPTION**

FIG. 1 is a left elevation view of a bait keeper;  
FIG. 2 is a front perspective view thereof;  
FIG. 3 is a top plan view thereof;  
FIG. 4 is a left elevation view thereof;  
FIG. 5 is a rear elevation view thereof;  
FIG. 6 is front elevation view thereof;  
FIG. 7 is a right elevation view thereof; and,  
FIG. 8 is a bottom plan view of thereof.

The broken lines in the drawings are provided for the purpose of illustrating environment and form no part of the claimed design.

**1 Claim, 3 Drawing Sheets**



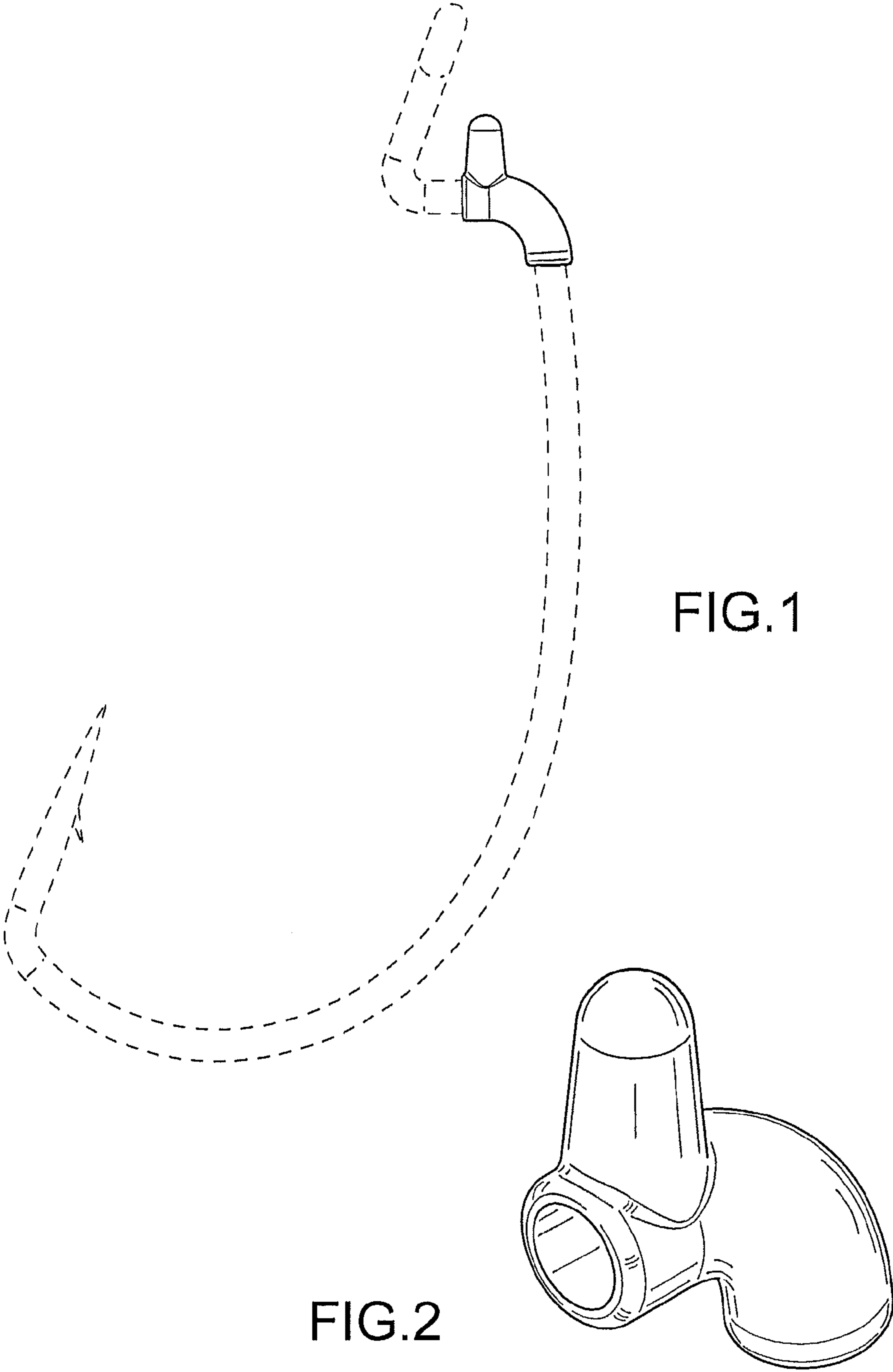


FIG.1

FIG.2

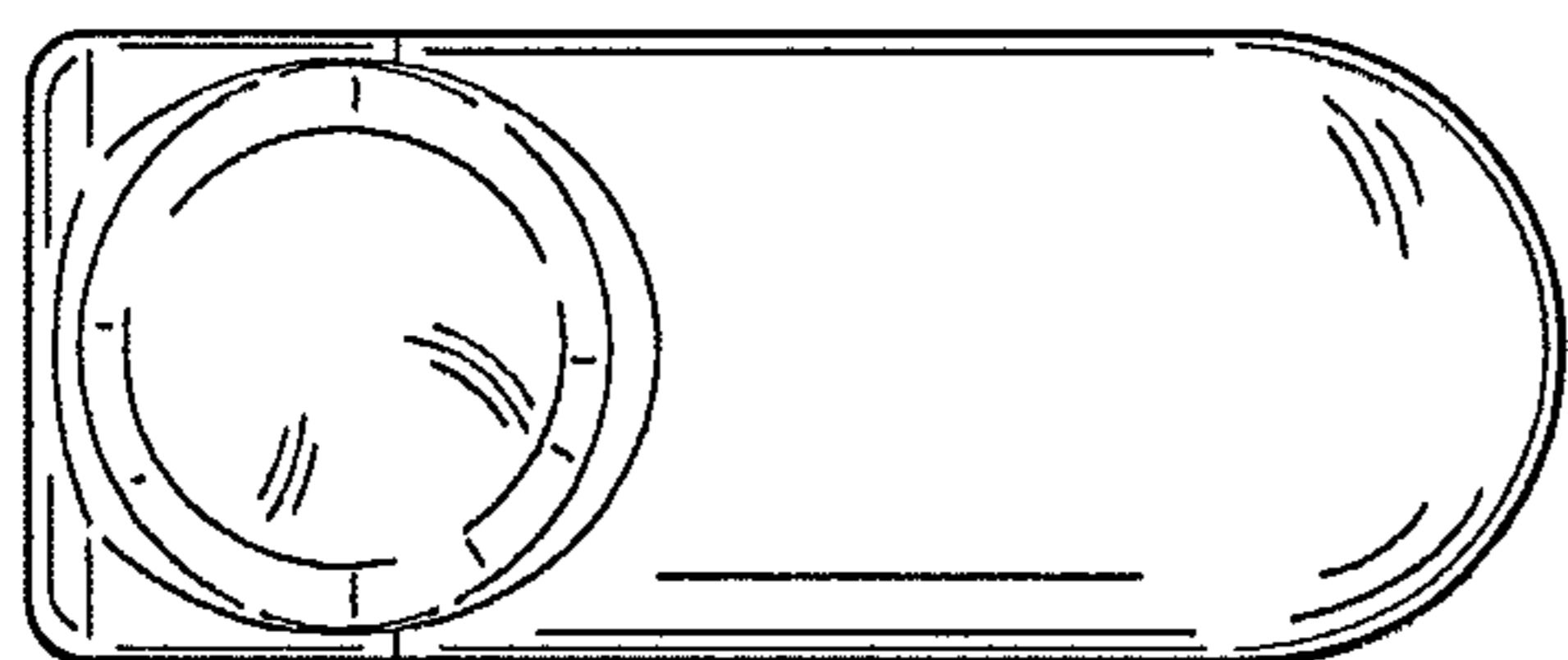


FIG.3

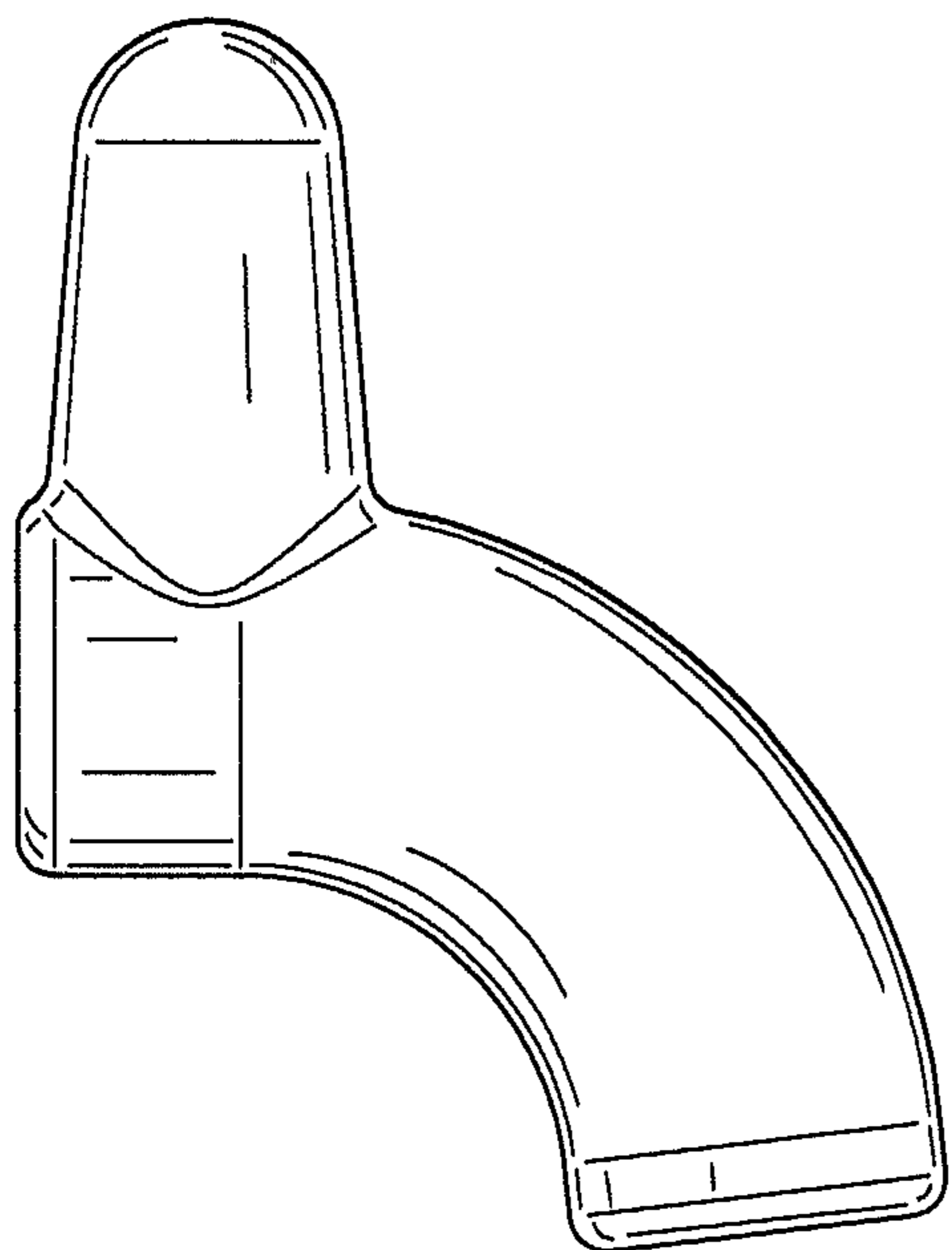


FIG.4

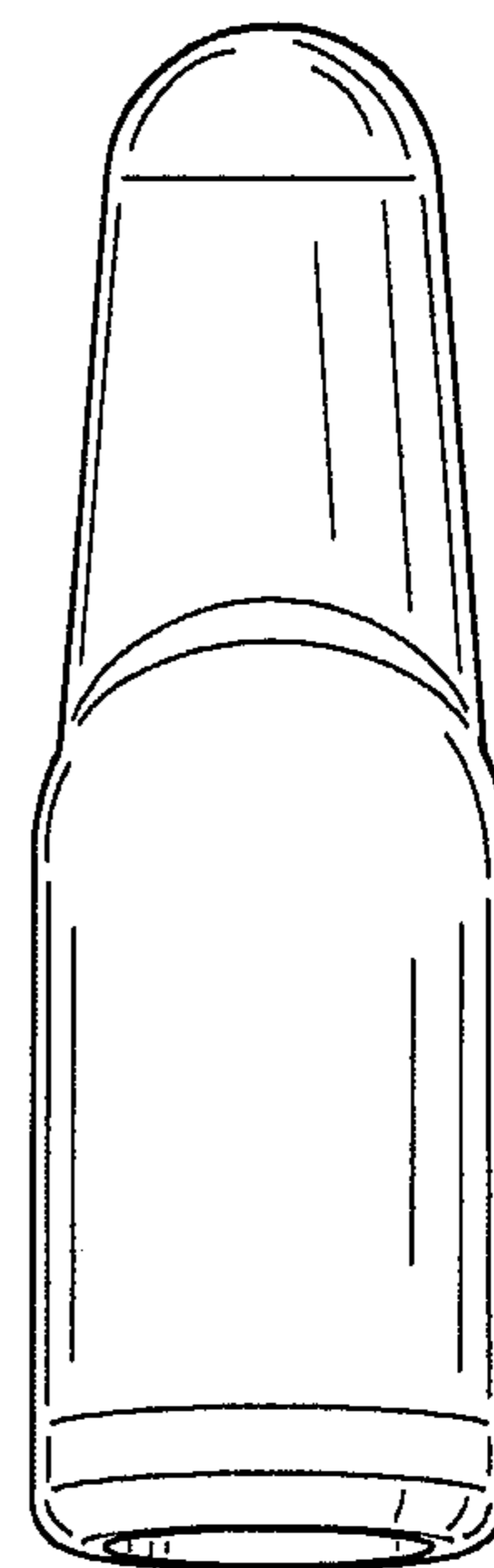


FIG.5

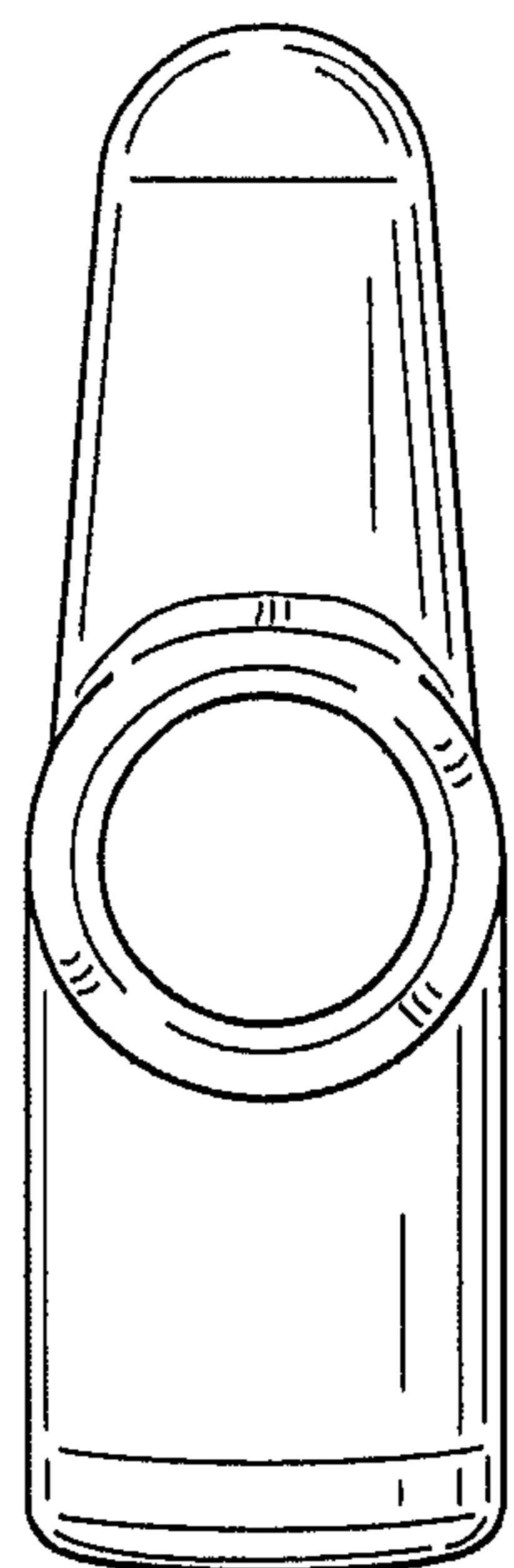


FIG. 6

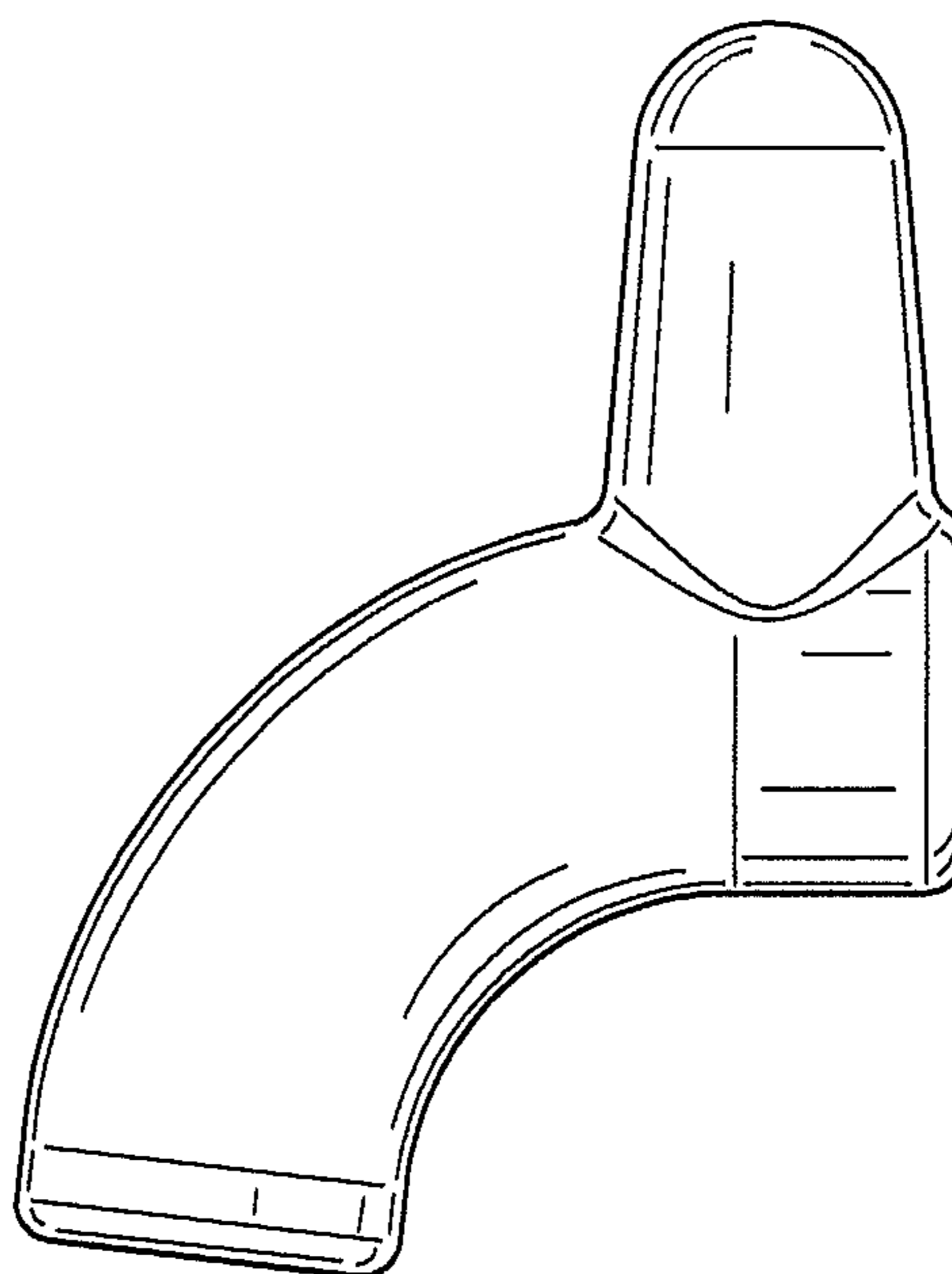


FIG. 7

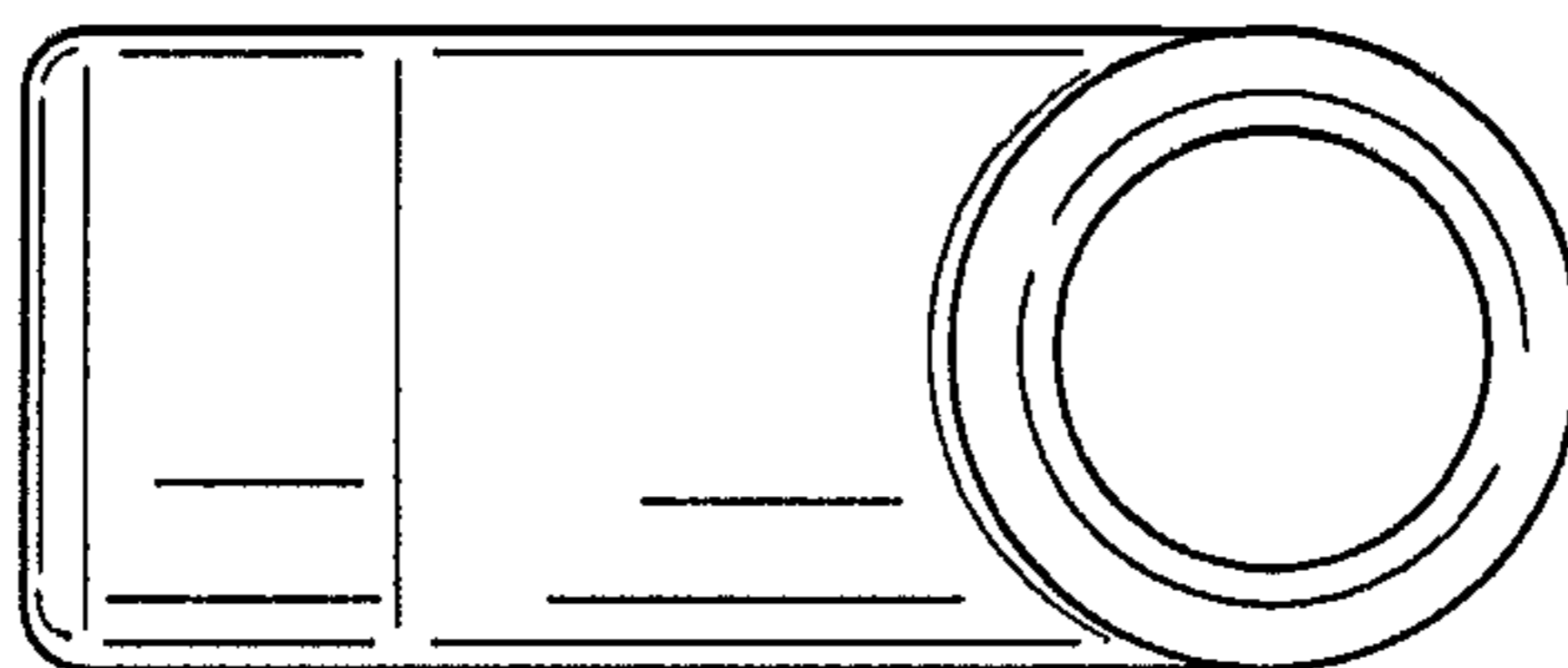


FIG. 8