



US00D705384S

(12) **United States Design Patent**  
**Underwood**

(10) **Patent No.:** **US D705,384 S**

(45) **Date of Patent:** **\*\* May 20, 2014**

- (54) **FIREARM CHARGING HANDLE**
- (71) Applicant: **Joshua A. Underwood**, Salem, OR (US)
- (72) Inventor: **Joshua A. Underwood**, Salem, OR (US)
- (73) Assignee: **AXTS Weapons Systems**, Salem, OR (US)
- (\*\*) Term: **14 Years**

8,261,649	B2	9/2012	Fitzpatrick et al.
8,336,436	B2	12/2012	Kincel
8,356,537	B2	1/2013	Kincel
2011/0005372	A1	1/2011	Kincel
2011/0214558	A1	9/2011	Kincel
2011/0265636	A1	11/2011	Overstreet et al.
2012/0167424	A1	7/2012	Gomez
2012/0167433	A1	7/2012	Robbins et al.
2012/0180355	A1	7/2012	Martin et al.
2012/0291612	A1	11/2012	Kincel
2012/0318124	A1	12/2012	Brown

- (21) Appl. No.: **29/469,218**
- (22) Filed: **Oct. 8, 2013**

**Related U.S. Application Data**

- (63) Continuation of application No. 29/416,613, filed on Mar. 23, 2012, now Pat. No. Des. 694,354.
- (51) **LOC (10) Cl.** ..... **22-01**
- (52) **U.S. Cl.**  
USPC ..... **D22/108**
- (58) **Field of Classification Search**  
USPC ..... D22/108; D21/572-575; 42/51, 71.01, 42/75.01, 75.02, 90, 94, 134, 136, 139, 42/125, 72, 111; 89/40.06, 41.19, 37.04, 89/33.04, 191.01, 200-204; 124/67, 66, 124/72, 74

See application file for complete search history.

(56) **References Cited**

**U.S. PATENT DOCUMENTS**

3,225,653	A	12/1965	Packard
4,521,985	A	6/1985	Smith et al.
4,834,437	A	5/1989	Howard, Sr.
4,835,892	A	6/1989	Ruger et al.
5,109,752	A	5/1992	Yu
7,240,600	B1	7/2007	Bordson
7,707,921	B1	5/2010	Hoel
7,832,322	B1	11/2010	Hoel
7,861,635	B1	1/2011	Hoel
7,900,546	B2	3/2011	Bordson
8,104,393	B2	1/2012	Kincel
8,156,854	B2	4/2012	Brown

**OTHER PUBLICATIONS**

United States Department of the Army, "Operator's Manual for Rifle, 5.56-MM, M16 (1005-00-856-6885); Rifle, 5.56-MM, M16A1 (1005-00-073-9421)", No. TM 9-1005-249-10 C2, Washington, D.C., May 11, 1990, 154 pages.

United States Department of the Army, "Operator's Manual for Rifle, 5.66 MM, M16A2 W/E (1005-01-128-9936) (EIC:4GM); Rifle, 5.56 MM, M16A3 (1005-01-367-5112); Rifle, 5.56 MM, M16A4 (1005-01-383-2872) (EIC:4F9); Carbine, 5.56 MM, M4 W/E (1005-01-231-0973) (EIC:4FJ); Carbine, 5.56 MM, M4A1 (1005-01-382-0953) (EIC:4GC)", No. Army TM 9-1005-319-10, Washington, D.C., Oct. 1998, 230 pages.

United States Department of the Army, "FM 23-9", Washington, D.C., Jul. 3, 1989, 305 pages.

*Primary Examiner* — Michael A Pratt

(74) *Attorney, Agent, or Firm* — Stolowitz Ford Cowger LLP

(57) **CLAIM**

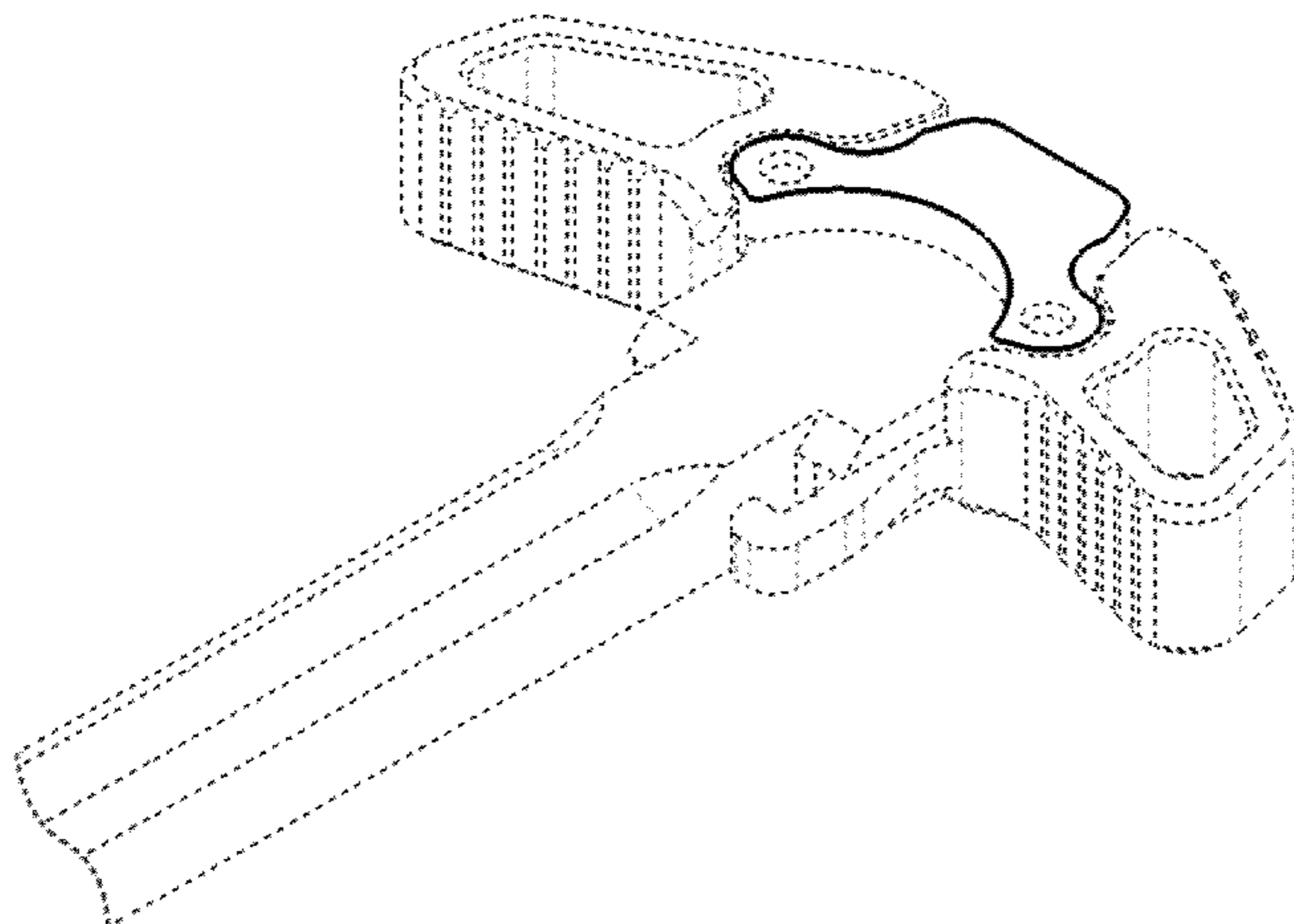
An ornamental design for the firearm charging handle, as shown and described.

**DESCRIPTION**

FIG. 1 is a perspective view of a firearm charging handle, comprising a top surface of the firearm charging handle; and, FIG. 2 is a top view of the firearm charging handle shown in FIG. 1.

The broken lines are included for the purpose of illustrating the environment and form no part of the claimed design.

**1 Claim, 2 Drawing Sheets**



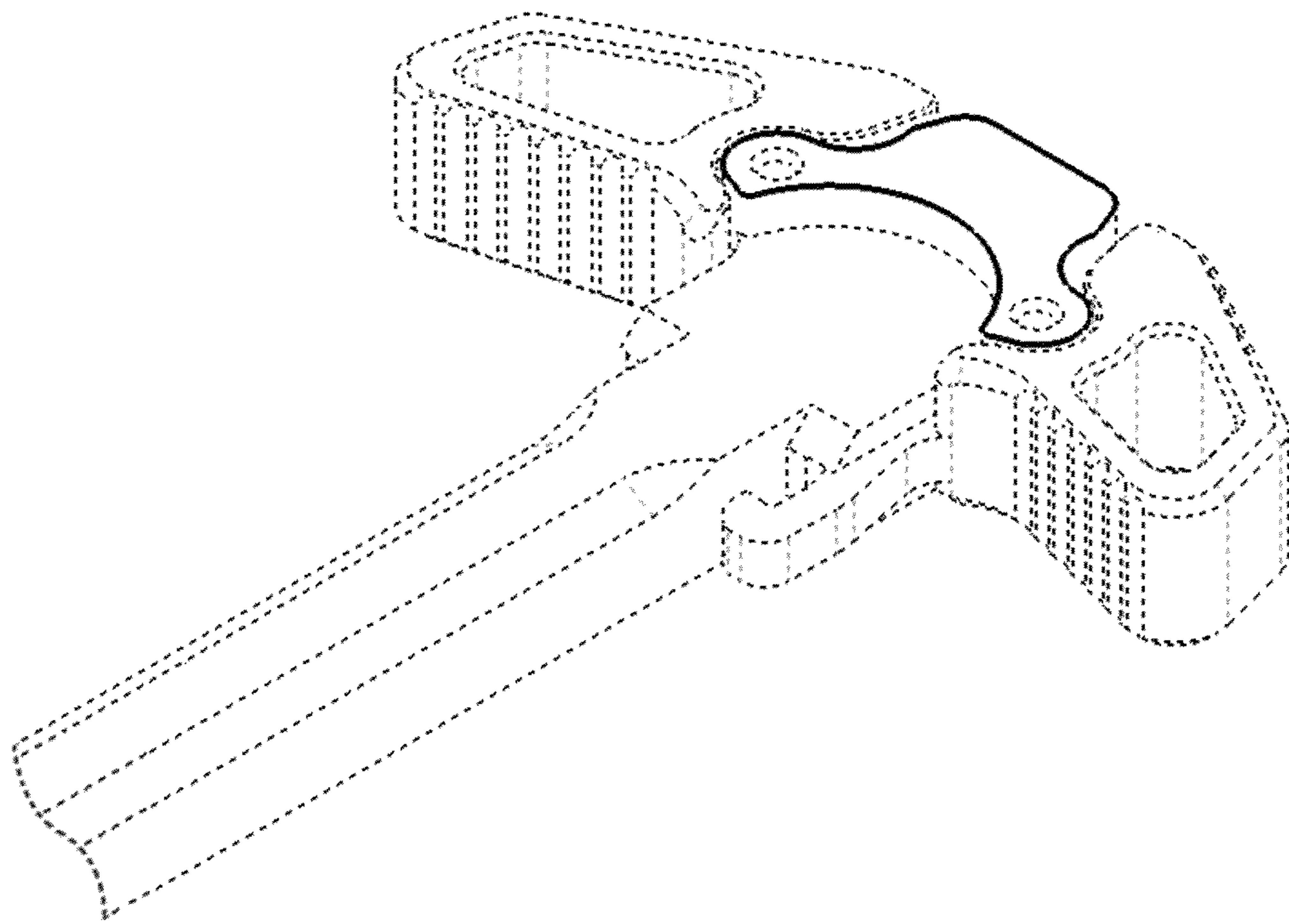


FIG. 1

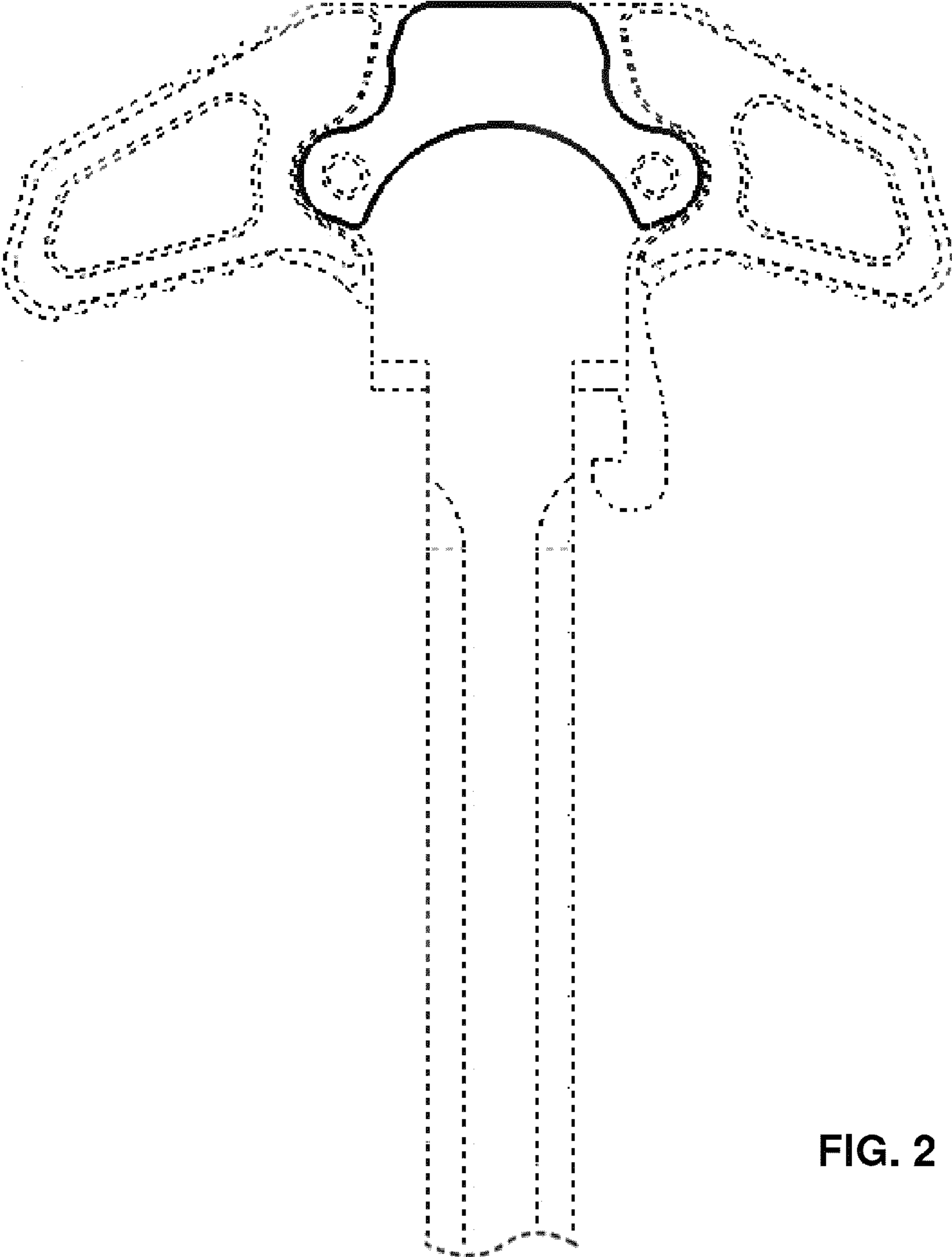


FIG. 2