



US00D705383S

(12) **United States Design Patent**
Montes

(10) **Patent No.:** **US D705,383 S**

(45) **Date of Patent:** **** May 20, 2014**

(54) **RIFLE CHARGING HANDLE ASSEMBLY**

(71) Applicant: **Kenneth Montes**, Roseville, CA (US)

(72) Inventor: **Kenneth Montes**, Roseville, CA (US)

(**) Term: **14 Years**

(21) Appl. No.: **29/443,257**

(22) Filed: **Jan. 15, 2013**

(51) **LOC (10) Cl.** **22-01**

(52) **U.S. Cl.**
USPC **D22/108**

(58) **Field of Classification Search**
USPC D22/103, 108; 42/71.01; 89/40.06,
89/41.19, 37.04, 33.04, 191.01, 200-204;
124/67, 66, 72, 74

See application file for complete search history.

(56) **References Cited**

U.S. PATENT DOCUMENTS

3,225,653	A *	12/1965	Packard	89/1.4
7,231,861	B1 *	6/2007	Gauny et al.	89/1.4
7,240,600	B1	7/2007	Bordson	
7,707,921	B1 *	5/2010	Hoel	89/1.4
7,753,679	B1 *	7/2010	Schuetz	434/16
7,798,045	B1 *	9/2010	Fitzpatrick et al.	89/1.4
7,832,322	B1 *	11/2010	Hoel	89/1.4
7,861,635	B1 *	1/2011	Hoel	89/1.4
8,104,393	B2 *	1/2012	Kincel	89/1.14
8,156,854	B2 *	4/2012	Brown	89/1.4
8,261,649	B2 *	9/2012	Fitzpatrick et al.	89/1.4
8,336,436	B2 *	12/2012	Kincel	89/1.14
8,356,537	B2 *	1/2013	Kincel	89/1.14
8,505,428	B2	8/2013	Overstreet et al.	

2010/0236395	A1 *	9/2010	Akhavan	89/179
2011/0005372	A1 *	1/2011	Kincel	89/1.4
2011/0214558	A1 *	9/2011	Kincel	89/1.4
2011/0265636	A1 *	11/2011	Overstreet et al.	89/1.4
2012/0167424	A1 *	7/2012	Gomez	42/14
2012/0167433	A1 *	7/2012	Robbins et al.	42/75.02
2012/0180355	A1 *	7/2012	Martin et al.	42/69.01
2012/0291612	A1 *	11/2012	Kincel	89/1.4
2012/0318124	A1 *	12/2012	Brown	89/1.4
2013/0192113	A1 *	8/2013	Melville	42/2

* cited by examiner

Primary Examiner — Michael A Pratt

(74) *Attorney, Agent, or Firm* — Law Office of Andrei D Popovici, PC

(57) **CLAIM**

What is claimed is the ornamental design for a rifle charging handle assembly, as shown.

DESCRIPTION

FIG. 1 shows an isometric view of a rifle charging handle assembly;

FIG. 2 shows a bottom plan view of a rifle charging handle assembly;

FIG. 3 shows a top plan view of a rifle charging handle assembly;

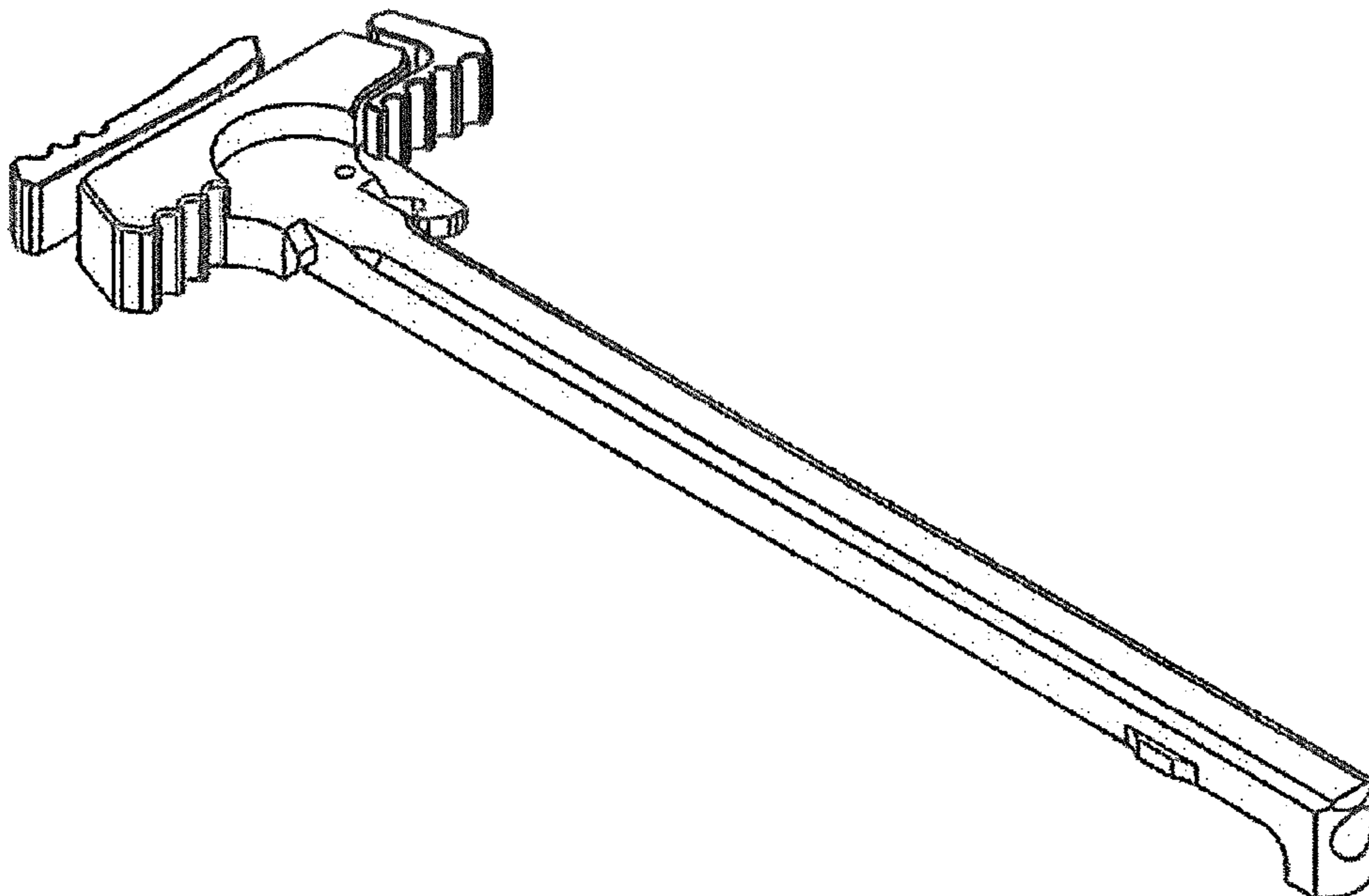
FIG. 4 shows a left side plan view of a rifle charging handle assembly;

FIG. 5 shows a right side plan view of a rifle charging handle assembly;

FIG. 6 shows a rear plan view of a rifle charging handle assembly; and,

FIG. 7 shows a front plan view of a rifle charging handle assembly.

1 Claim, 4 Drawing Sheets



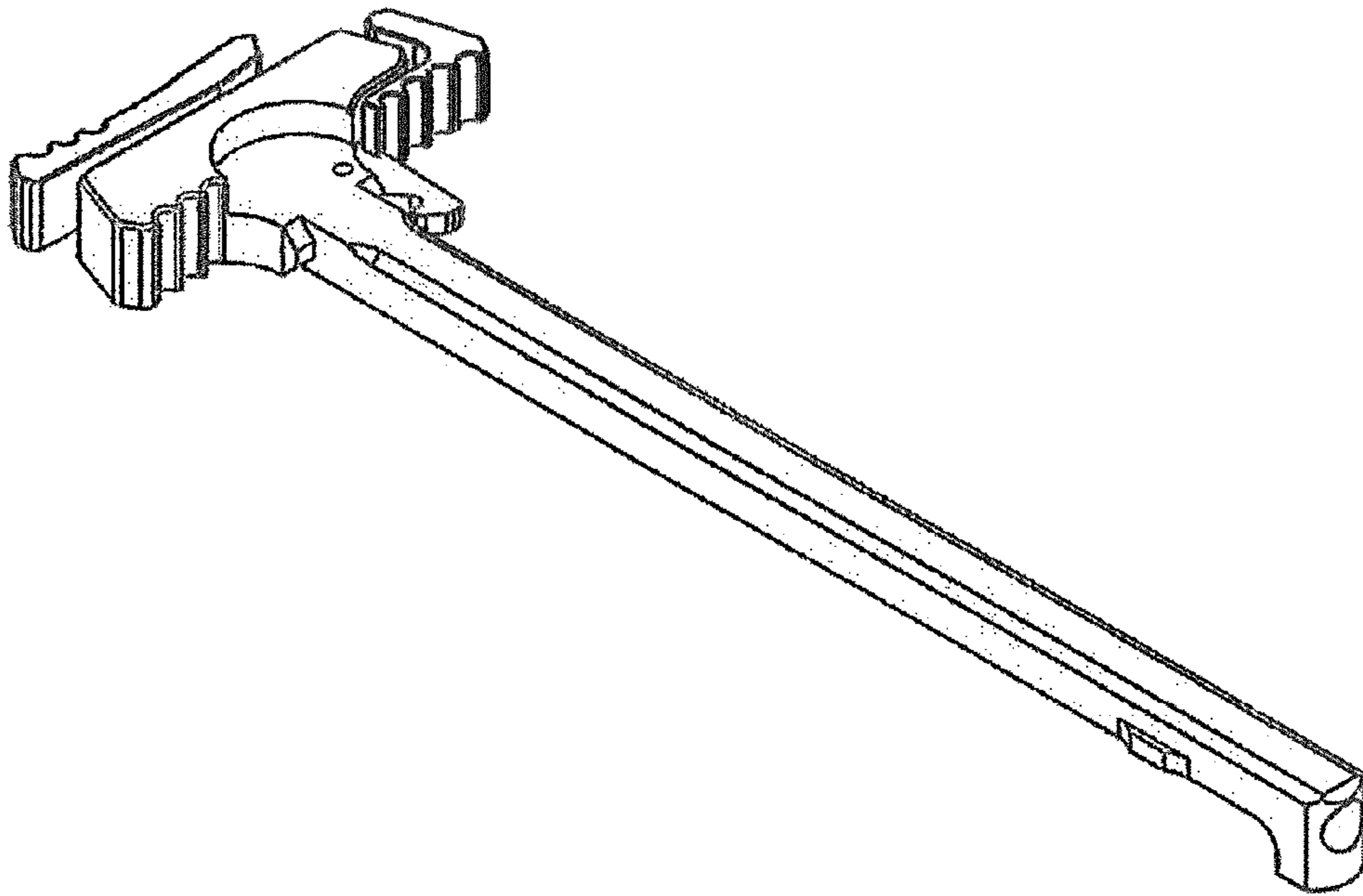


FIG. 1

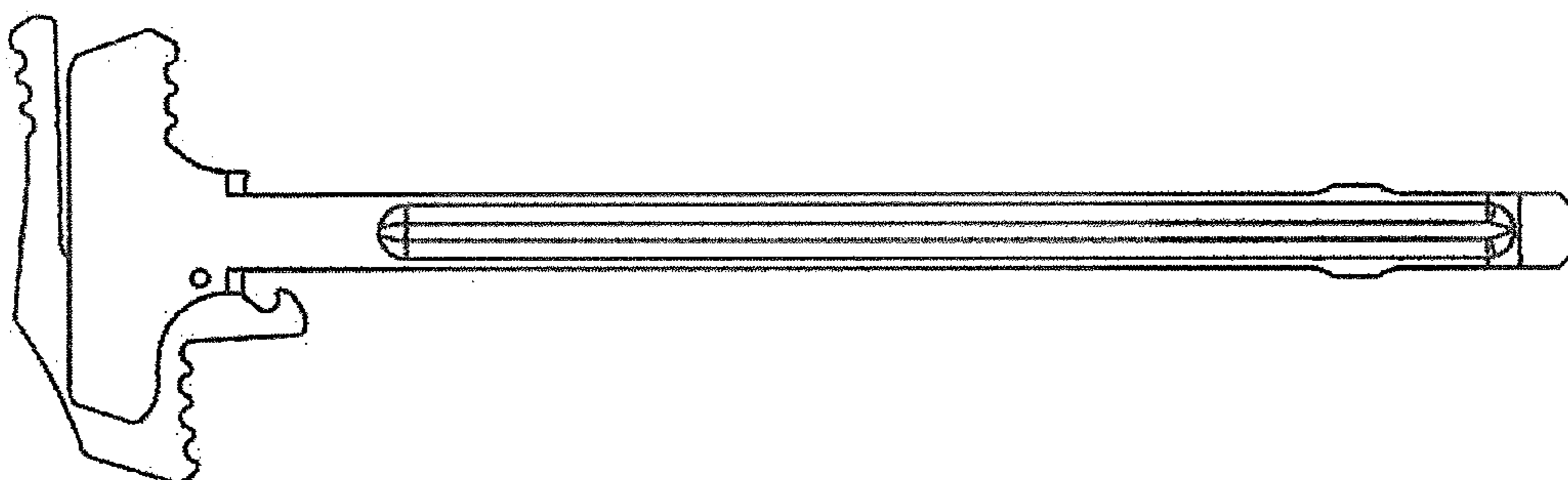


FIG. 2

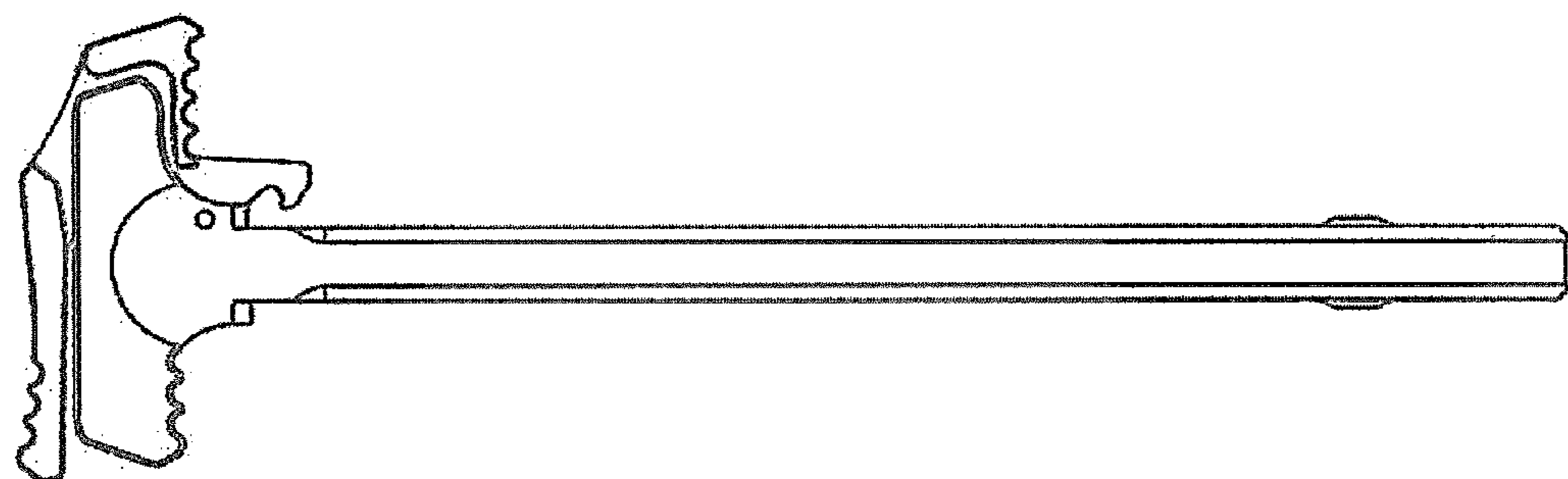


FIG. 3

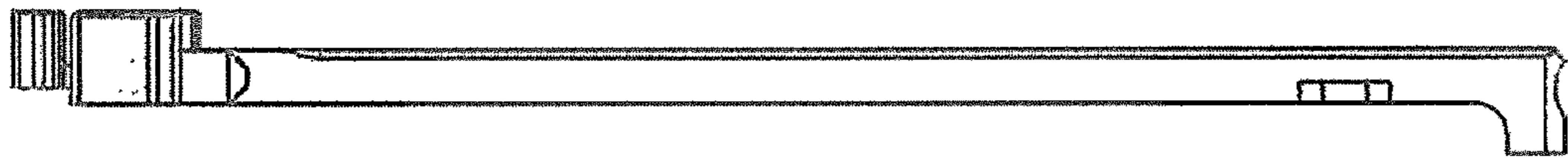


FIG. 4

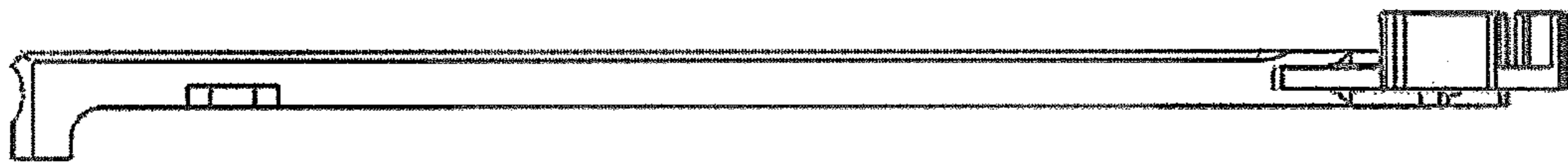


FIG. 5

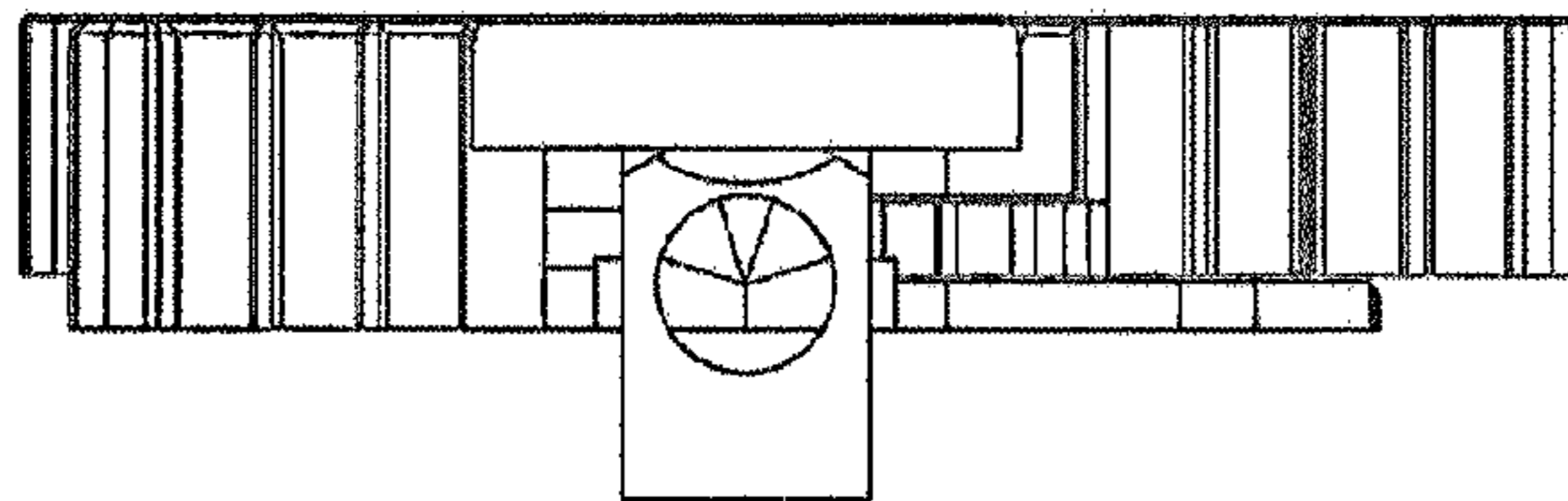


FIG. 6

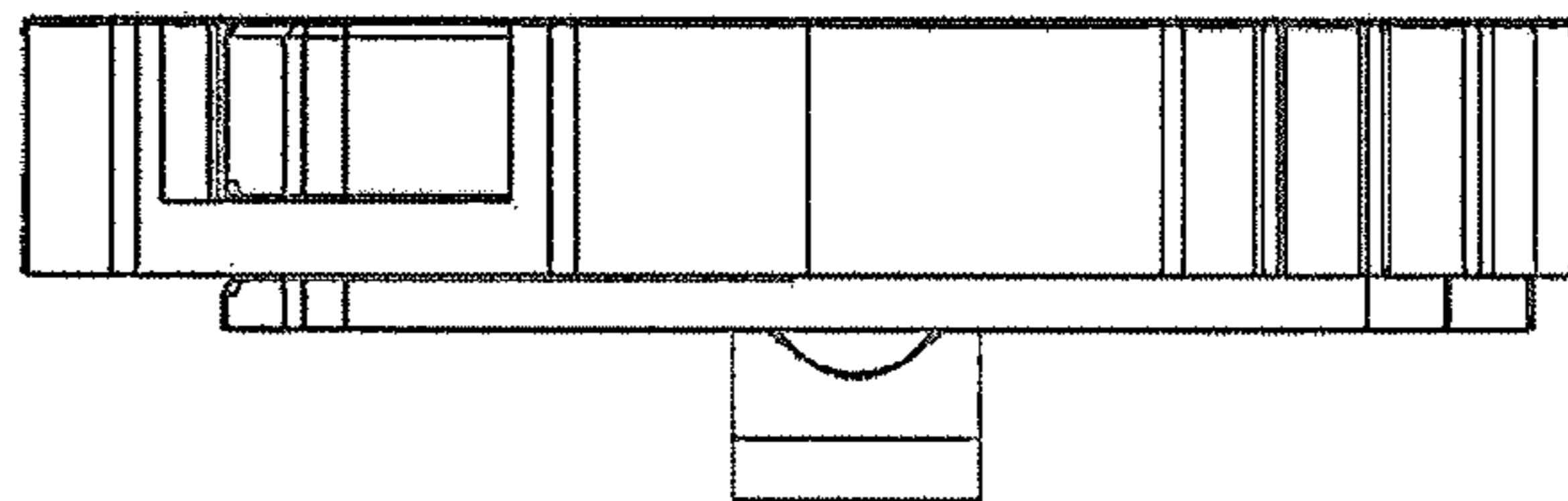


FIG. 7