



US00D705375S

(12) **United States Design Patent**
Rubey

(10) **Patent No.:** **US D705,375 S**

(45) **Date of Patent:** **** May 20, 2014**

(54) **RECREATIONAL FLOTATION DEVICE**

(71) Applicant: **Ulyss Ray Rubey**, Graham, TX (US)

(72) Inventor: **Ulyss Ray Rubey**, Graham, TX (US)

(73) Assignee: **TRC Recreation, LP**, Wichita Falls, TX (US)

(**) Term: **14 Years**

(21) Appl. No.: **29/454,608**

(22) Filed: **May 13, 2013**

(51) **LOC (10) Cl.** **21-06**

(52) **U.S. Cl.**
USPC **D21/803**

(58) **Field of Classification Search**
USPC D21/769–770, 801, 803, 809; 114/253,
114/345–346; 441/35, 66, 74, 40–42,
441/129–132; 472/128–129; D12/5, 6, 316;
D6/392, 595, 596, 601, 604, 605
See application file for complete search history.

(56) **References Cited**

U.S. PATENT DOCUMENTS

D199,572 S	11/1964	Williams	
D359,620 S	6/1995	Spangler	
5,443,409 A *	8/1995	Adamson	441/130
D363,968 S	11/1995	Koellner	
5,562,514 A *	10/1996	Rowe	441/130
D377,821 S *	2/1997	Kuan	D21/809
5,685,753 A *	11/1997	Canela et al.	441/129
D387,104 S	12/1997	Voldmester	
D418,893 S *	1/2000	Peng	D21/801

6,027,393 A *	2/2000	O'Rourke	446/153
D422,332 S	4/2000	Zeilinger	
6,692,322 B1	2/2004	Heatherly	
D574,917 S *	8/2008	Parham	D21/809
7,425,190 B2 *	9/2008	Kolarick et al.	482/111

* cited by examiner

Primary Examiner — Zenia Bennett

(74) *Attorney, Agent, or Firm* — Scott T. Griggs; Griggs Bergen LLP

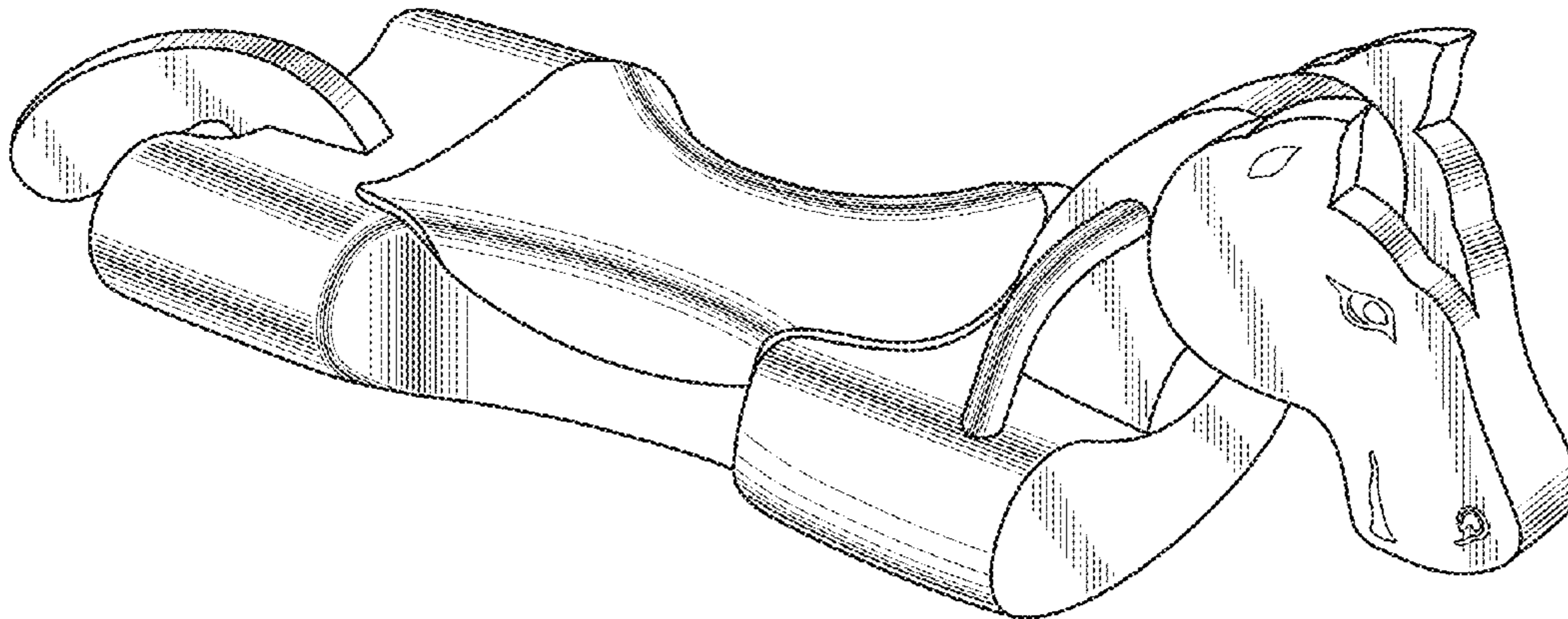
(57) **CLAIM**

The ornamental design for a recreational flotation device, as shown and described.

DESCRIPTION

FIG. 1 is a front perspective view of the recreational flotation device of the present design application;
FIG. 2 is a top plan view of the ornamental design shown in FIG. 1;
FIG. 3 is a bottom plan view of the ornamental design shown in FIG. 1;
FIG. 4 is a right side elevation view of the ornamental design shown in FIG. 1;
FIG. 5 is a left side elevation view of the ornamental design shown in FIG. 1;
FIG. 6 is a front elevation view of the ornamental design shown in FIG. 1; and,
FIG. 7 is a rear elevation view of the ornamental design shown in FIG. 1.

1 Claim, 2 Drawing Sheets



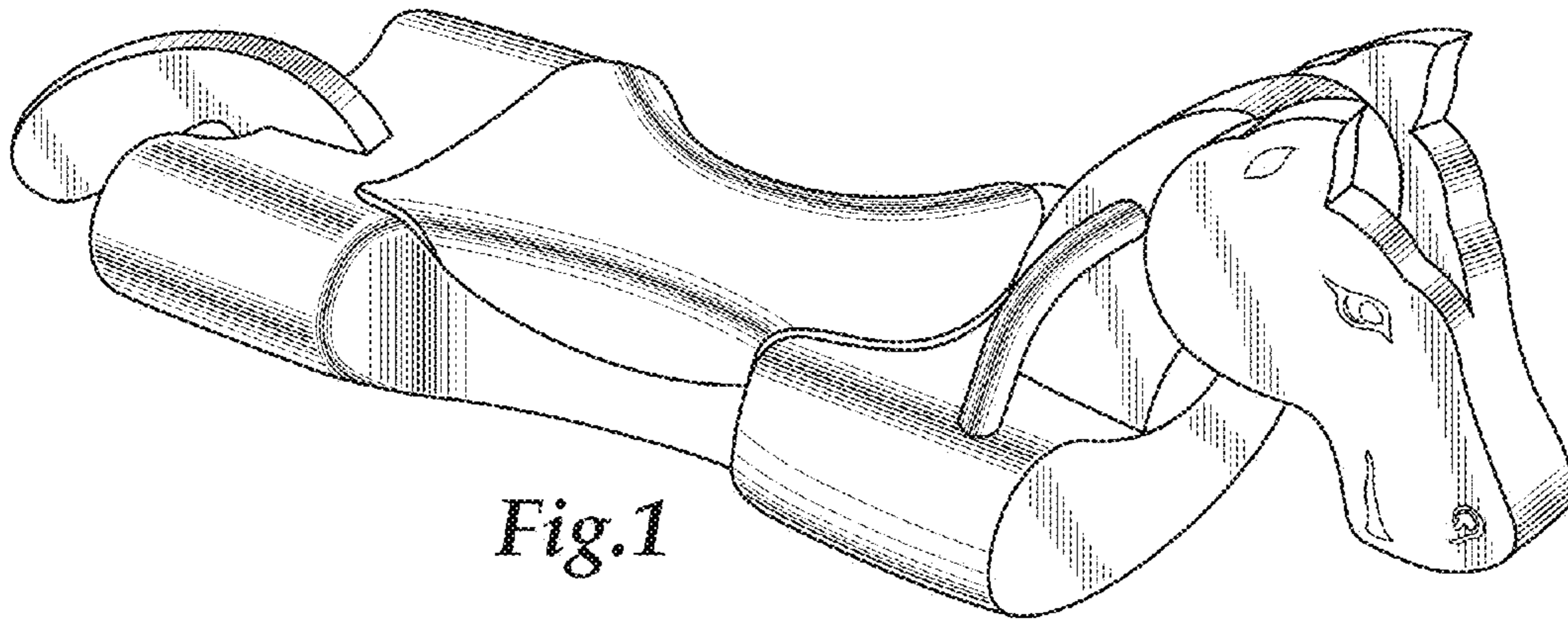


Fig.1

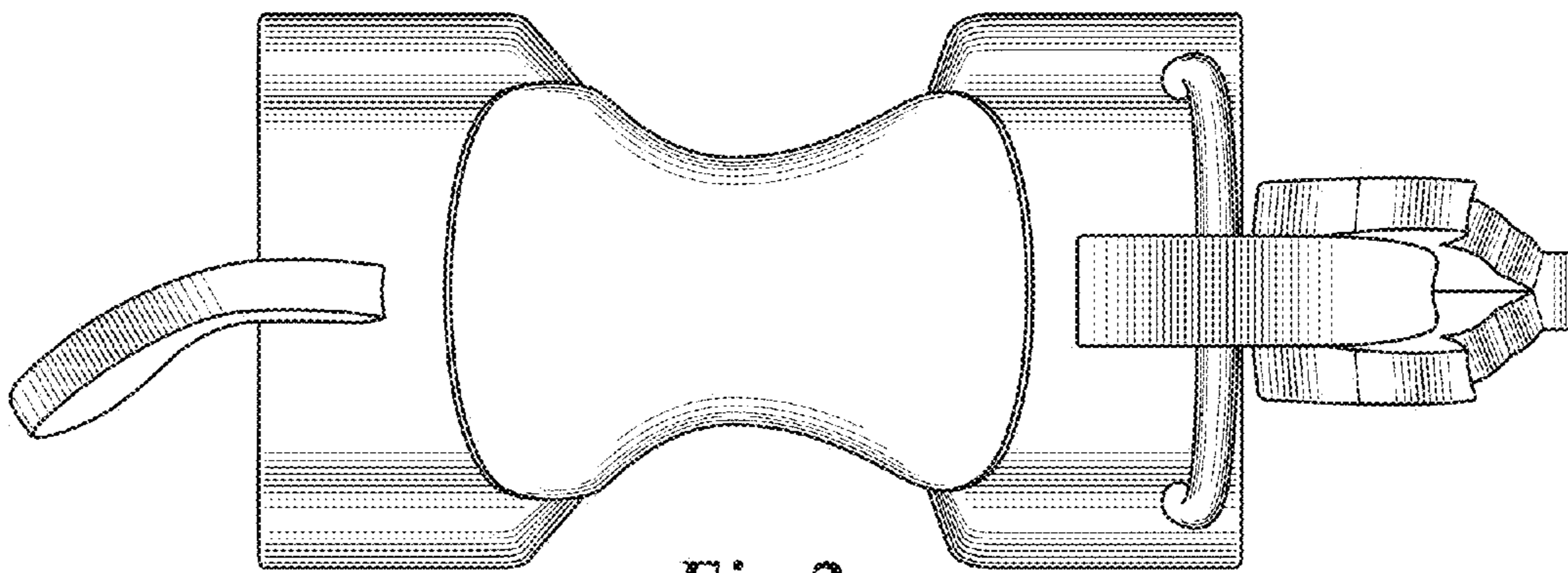


Fig.2

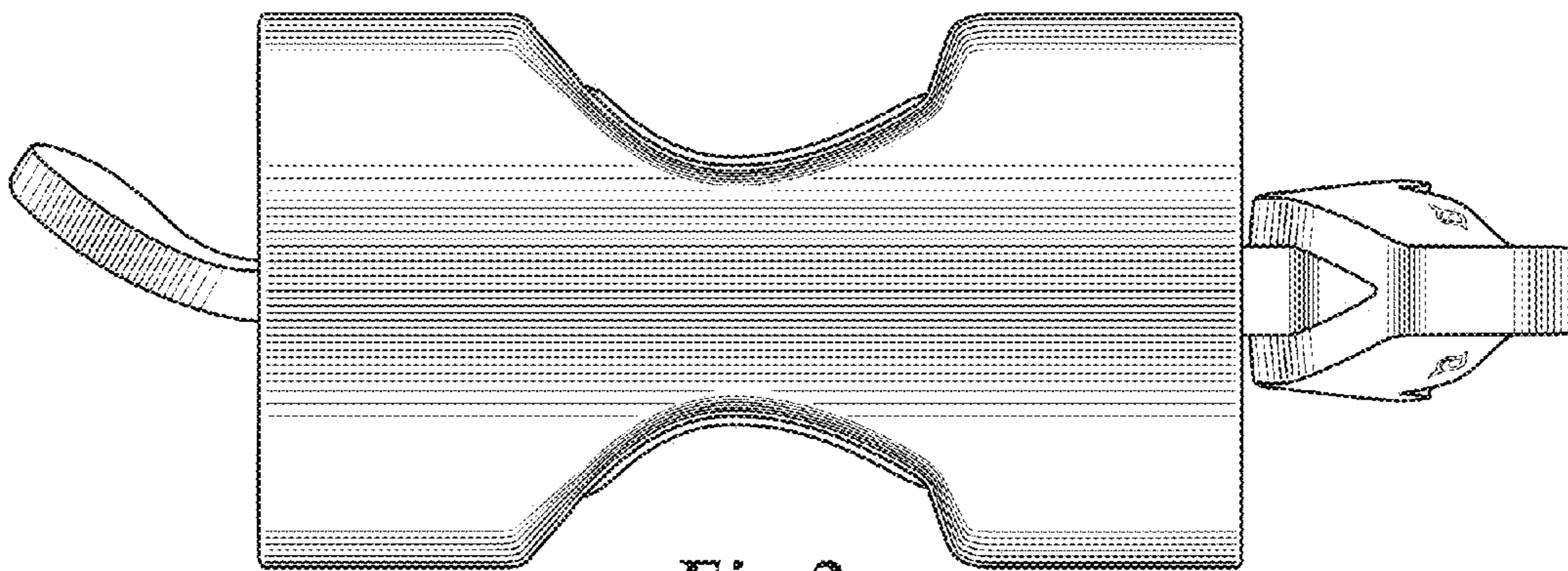


Fig.3

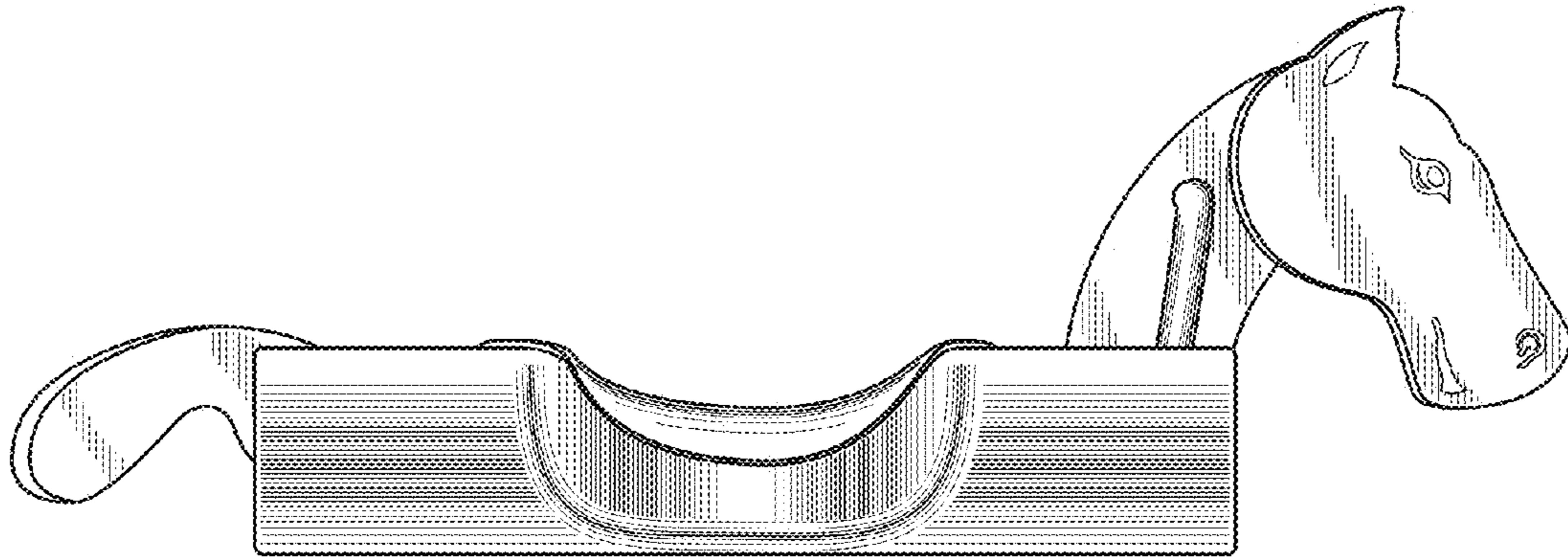


Fig. 4

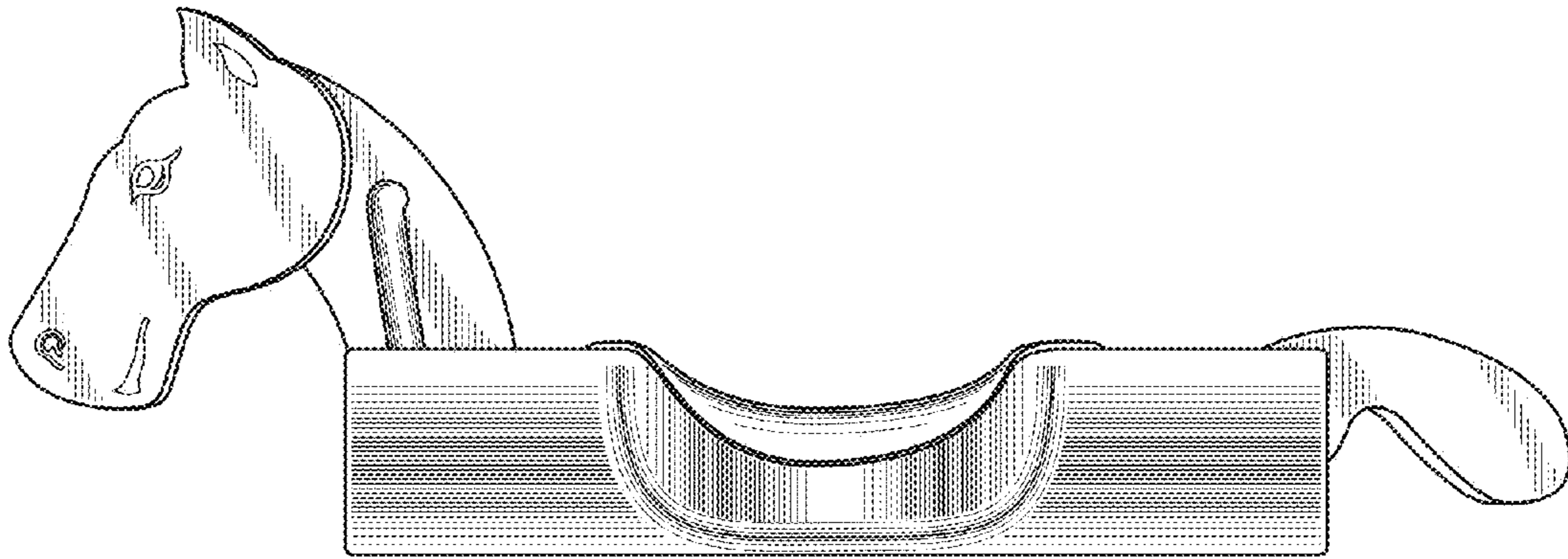


Fig. 5

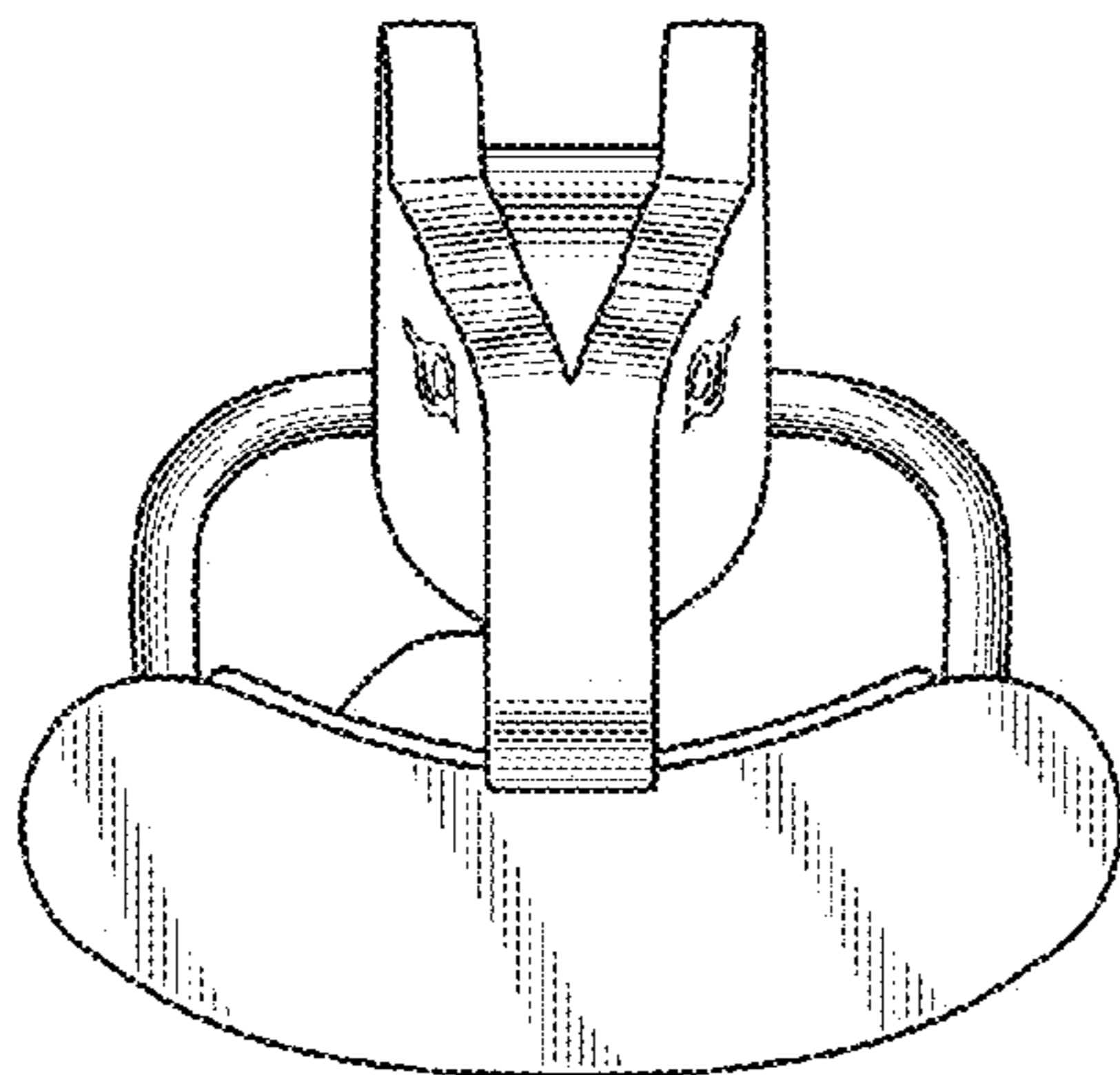


Fig. 6

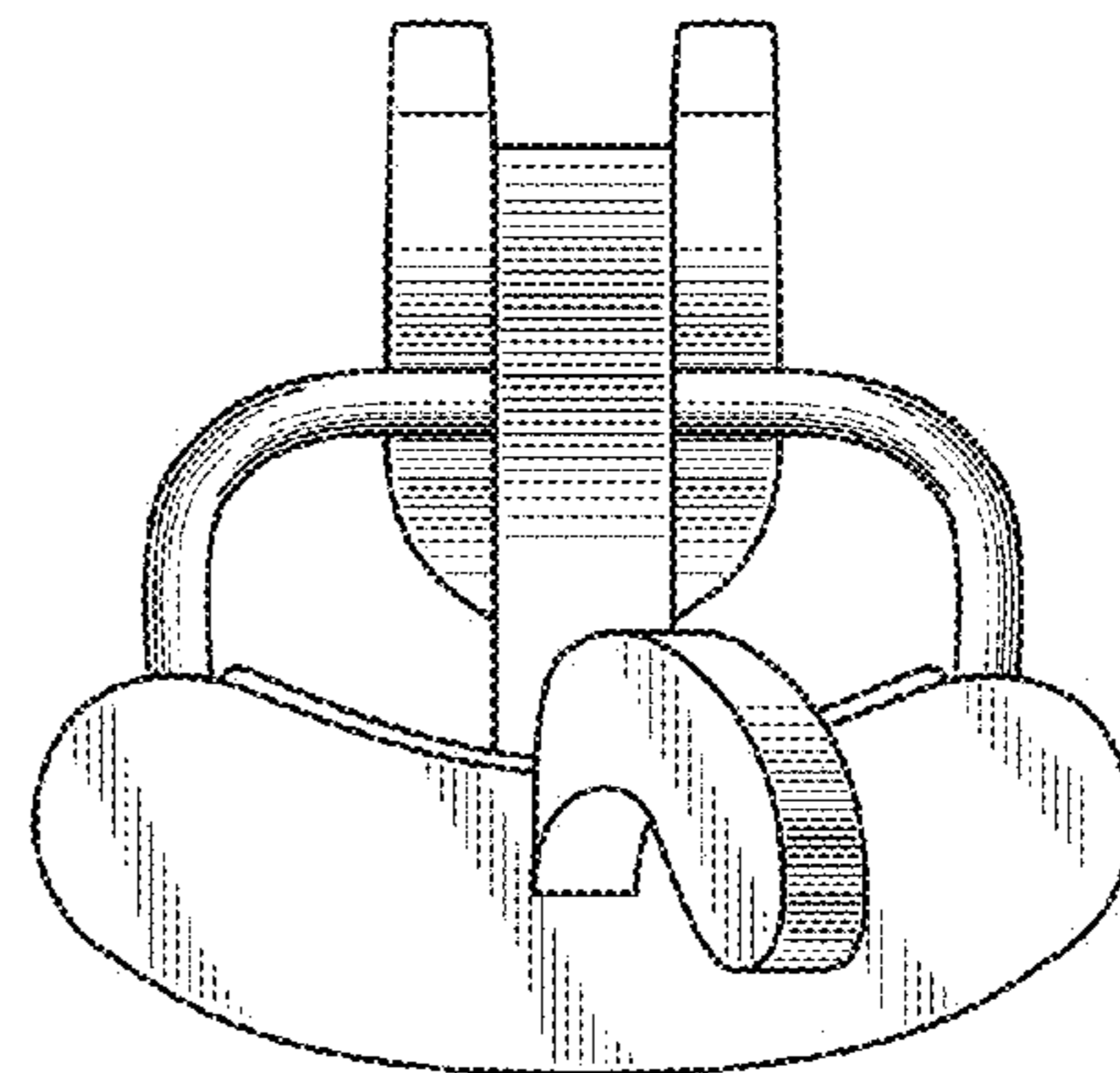


Fig. 7