



US00D705374S

(12) **United States Design Patent**  
**Puccetti**

(10) **Patent No.:** **US D705,374 S**

(45) **Date of Patent:** **\*\* May 20, 2014**

(54) **PORTABLE PITCHING TRAINING MOUND**

(71) Applicant: **Michael Puccetti**, La Marque, TX (US)

(72) Inventor: **Michael Puccetti**, La Marque, TX (US)

(\*\*) Term: **14 Years**

(21) Appl. No.: **29/457,388**

(22) Filed: **Jun. 10, 2013**

(51) **LOC (10) Cl.** ..... **21-02**

(52) **U.S. Cl.**  
USPC ..... **D21/780**

(58) **Field of Classification Search**  
USPC ..... D21/811, 814, 780; 473/497, 452  
See application file for complete search history.

(56) **References Cited**

U.S. PATENT DOCUMENTS

D214,743	S	*	7/1969	Goeders	.....	D21/780
D236,219	S	*	8/1975	Goeders	.....	D21/780
D258,903	S	*	4/1981	Goeders	.....	D21/780
4,306,718	A	*	12/1981	Goeders	.....	473/497
4,561,653	A	*	12/1985	Wright	.....	473/497
4,749,223	A	*	6/1988	Goeders	.....	473/497
D303,823	S	*	10/1989	Eke	.....	D21/780
D315,382	S	*	3/1991	Ragsdale	.....	D21/780
D338,248	S	*	8/1993	Beck	.....	D21/780
5,467,977	A	*	11/1995	Beck	.....	473/497

D388,849	S	*	1/1998	Goeders	.....	D21/780
6,843,739	B2	*	1/2005	Putnam	.....	473/497
8,216,095	B2	*	7/2012	Weber et al.	.....	473/497
2009/0233740	A1	*	9/2009	Gensler	.....	473/497
2013/0345000	A1	*	12/2013	Gangwer et al.	.....	473/497

\* cited by examiner

*Primary Examiner* — Mitchell Siegel

(74) *Attorney, Agent, or Firm* — Egbert Law Offices, PLLC

(57) **CLAIM**

The ornamental design for a portable pitching training mound, as shown and described.

**DESCRIPTION**

FIG. 1 is a perspective view of the portable pitching training mound showing my new design.

FIG. 2 is a side view thereof;

FIG. 3 is an opposite side view thereof;

FIG. 4 is a front view thereof;

FIG. 5 is a rear view thereof;

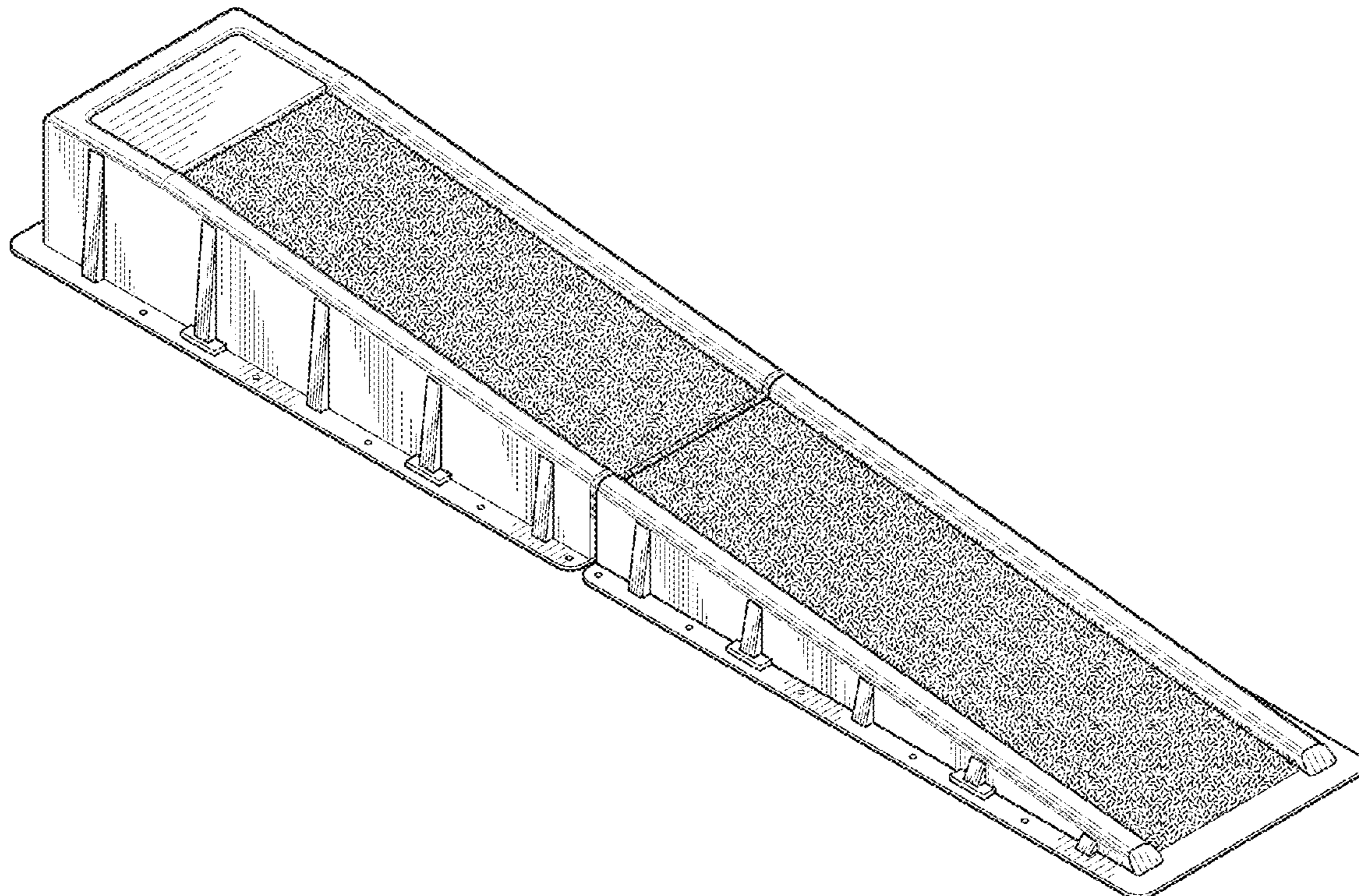
FIG. 6 is a top view thereof;

FIG. 7 is a bottom view thereof; and,

FIG. 8 is a perspective view showing the portable pitching training mound in a folded state.

The broken line showing is included for the purpose of illustration and forms no part of the claimed design.

**1 Claim, 3 Drawing Sheets**





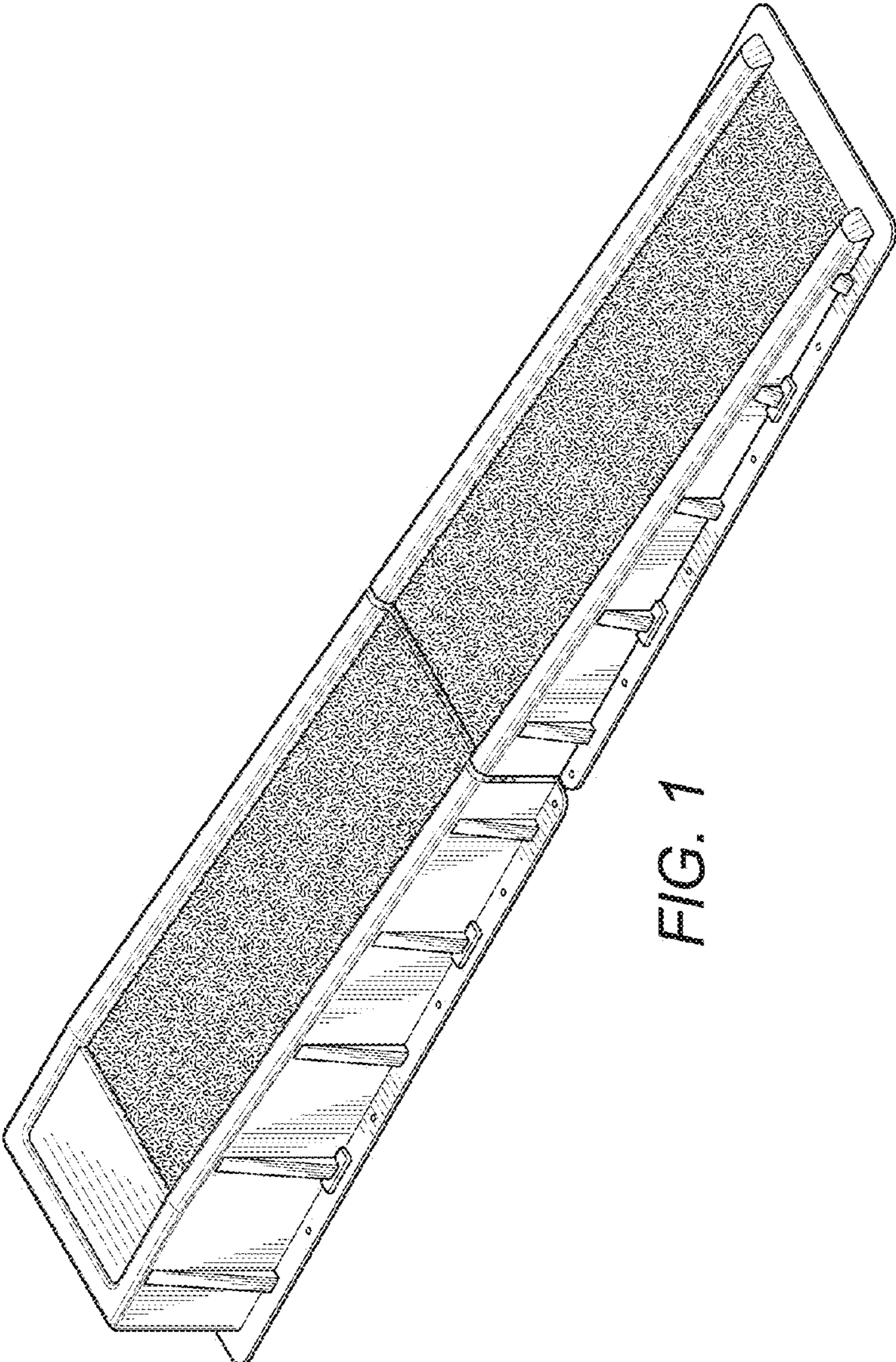


FIG. 1

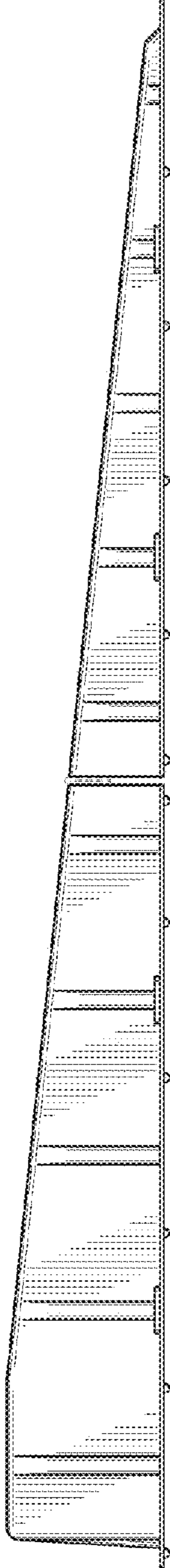


FIG. 2



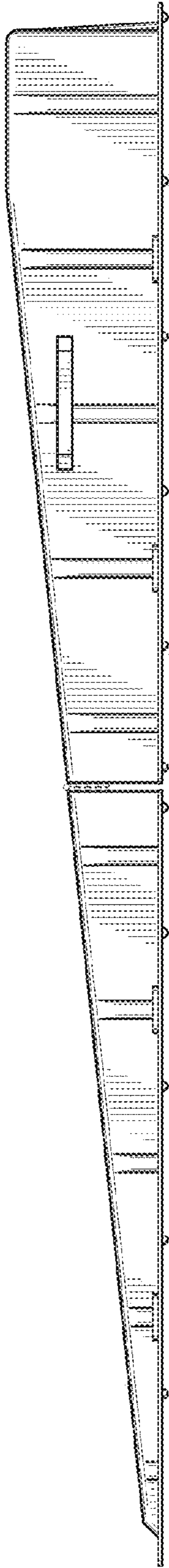


FIG. 3

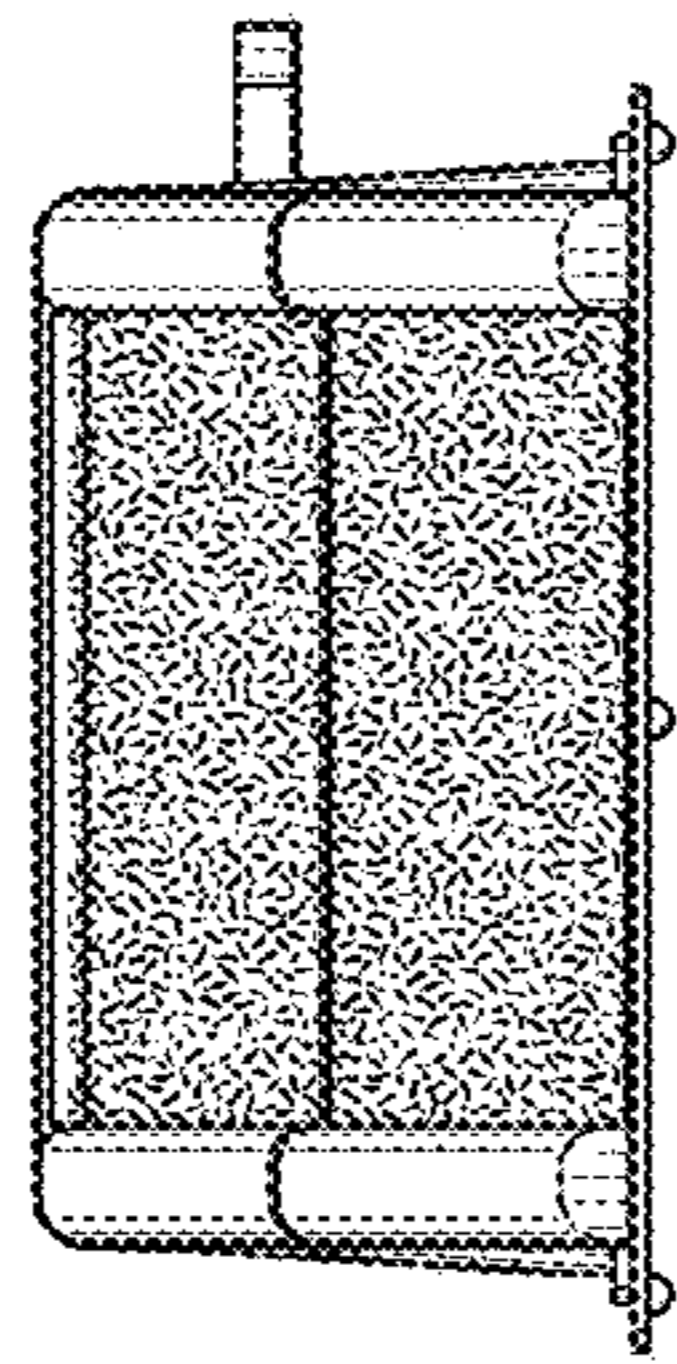


FIG. 4

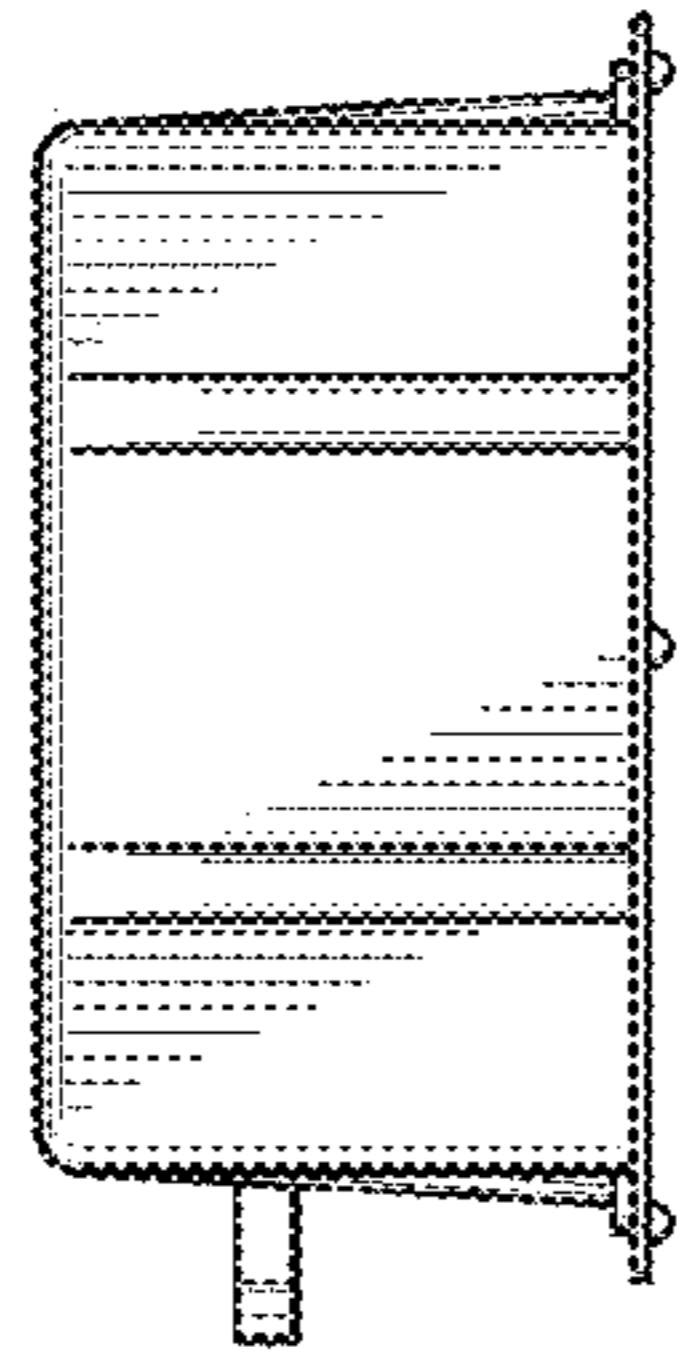


FIG. 5

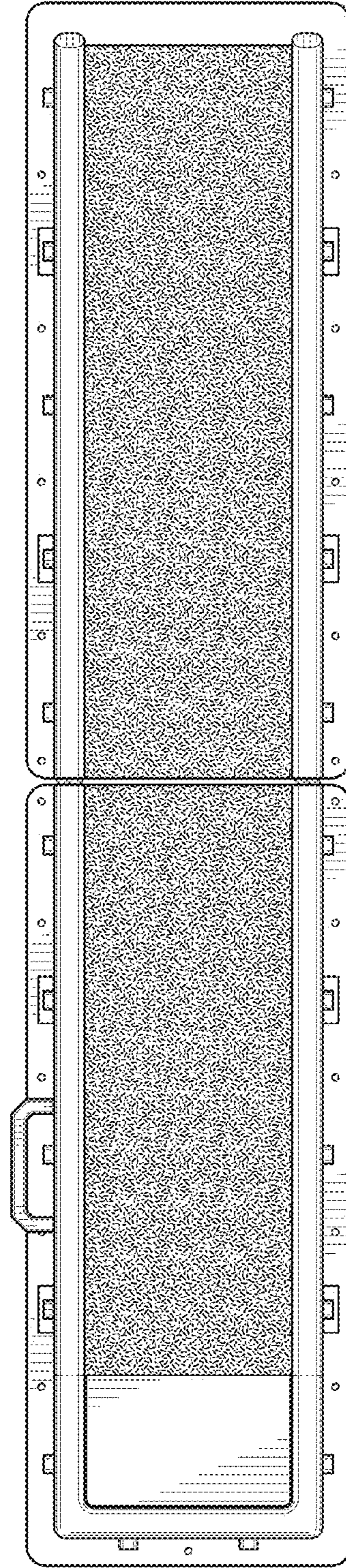


FIG. 6

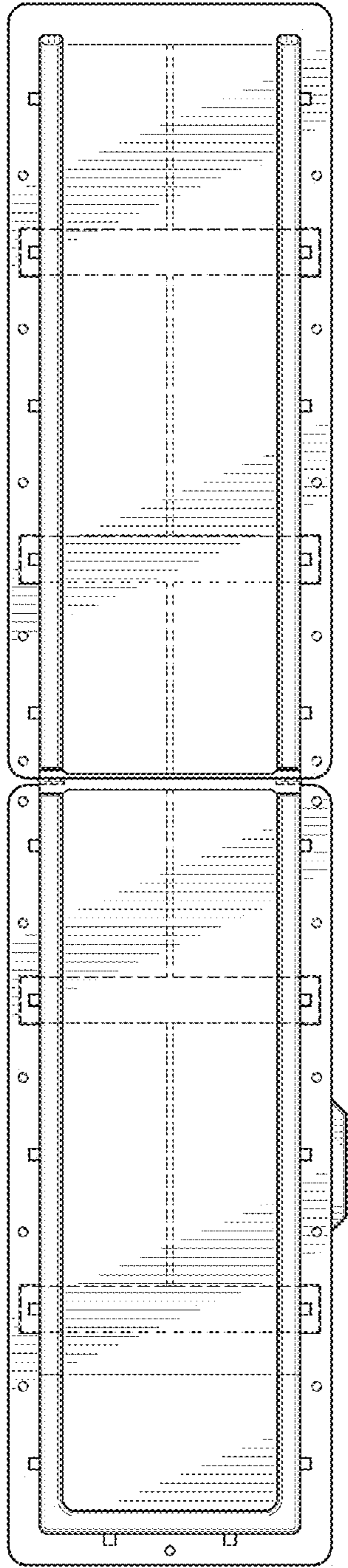


FIG. 7

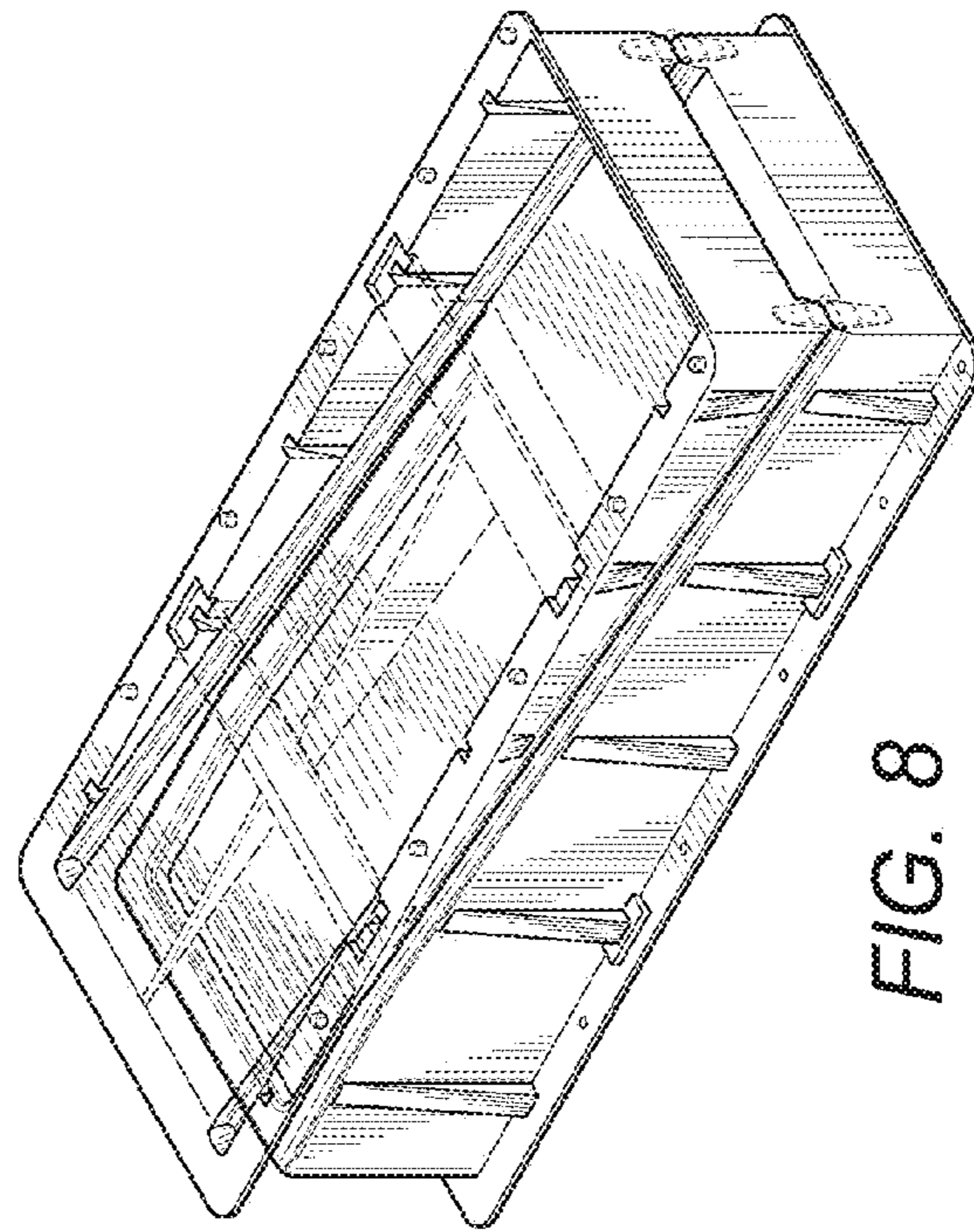


FIG. 8