



US00D705372S

(12) **United States Design Patent**
Harris et al.

(10) **Patent No.:** **US D705,372 S**
(45) **Date of Patent:** **** May 20, 2014**

(54) **PADDLE SKATE**
(71) Applicant: **Hammerhead Boarding Products LLC**, Virginia Beach, VA (US)
(72) Inventors: **Scott G. Harris**, Virginia Beach, VA (US); **Terry L. Siviter**, Virginia Beach, VA (US)

6,257,944 B1 7/2001 Herrod
D483,087 S 12/2003 Greenhalgh
6,896,274 B2 * 5/2005 Leslie 280/87.042
D558,290 S * 12/2007 Findling D21/765
7,600,768 B2 * 10/2009 Chen et al. 280/87.042
D629,859 S 12/2010 Buksa
2003/0155733 A1 8/2003 Tan
2006/0217009 A1 9/2006 Burg
2009/0115152 A1 5/2009 Wilson
2011/0101664 A1 5/2011 Gonzalez et al.

(73) Assignee: **Hammerhead Boarding Products LLC**, Virginia Beach, VA (US)

FOREIGN PATENT DOCUMENTS

(**) Term: **14 Years**

EP 1350543 A1 8/2003

(21) Appl. No.: **29/458,819**

(22) Filed: **Jun. 24, 2013**

(51) **LOC (10) Cl.** **21-02**

(52) **U.S. Cl.**
USPC **D21/765**

(58) **Field of Classification Search**
USPC D21/419, 421, 423, 426, 760, 765, 766, D21/769, 771, 776, 803; D12/1; 280/7.14, 280/11.115, 11.27, 11.28, 14.21, 87.01, 280/87.021, 87.03, 87.041, 87.042, 809; 180/180, 181
See application file for complete search history.

OTHER PUBLICATIONS

<http://www.viewonline.com/pages/articles/loadedhammerhead.htm>—Admitted Prior Art—Undated.
<http://www.romesnowboards.com/boards/hammerhead/>—Admitted Prior Art—Undated.
<http://www.hamboards.com/hamboards>—Admitted Prior Art—Undated.

* cited by examiner

Primary Examiner — Cynthia M Chin
(74) *Attorney, Agent, or Firm* — Shaddock Law Group, PC

(57) **CLAIM**
The ornamental design for a paddle skate, as shown and described.

(56) **References Cited**

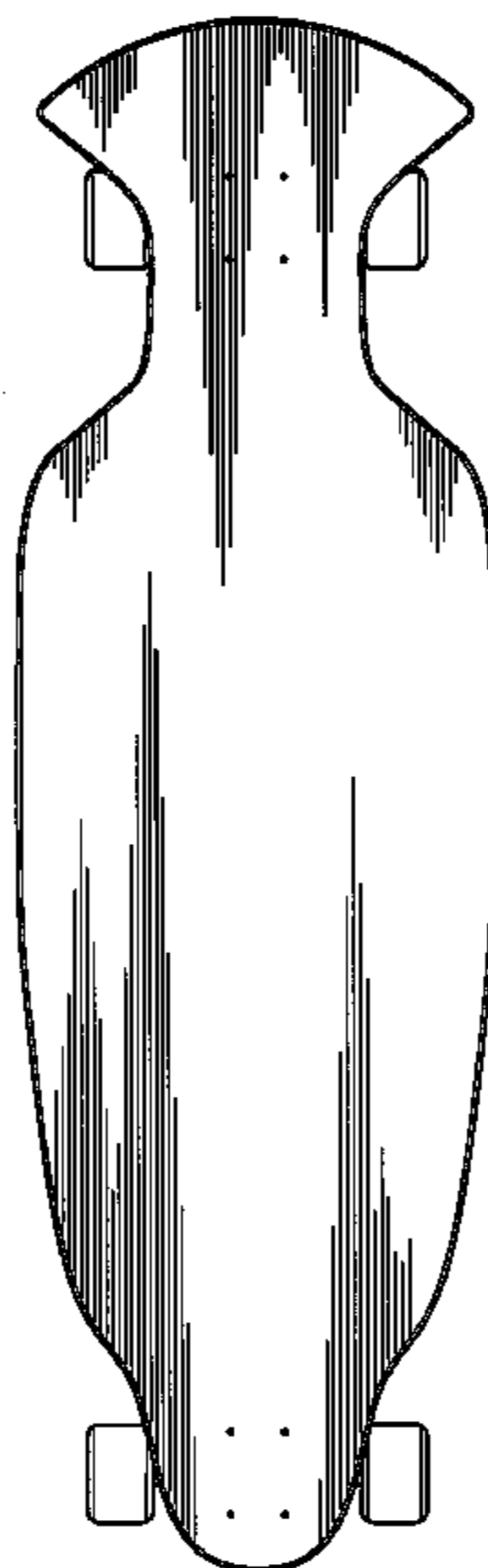
U.S. PATENT DOCUMENTS

D103,419 S 3/1937 Birkhead
D224,424 S 7/1972 Schell
D252,346 S * 7/1979 Solheim D21/765
D257,536 S 11/1980 Lukes
D295,208 S 4/1988 Vallejo
D302,576 S 8/1989 Woods
5,513,080 A 4/1996 Magle
D388,131 S 12/1997 Snyder
5,915,707 A 6/1999 Steffen
D413,954 S * 9/1999 Gerlach D21/765

DESCRIPTION

FIG. 1 is a top plan view of a paddle skate, showing our new design;
FIG. 2 is a bottom plan view thereof;
FIG. 3 is a left side elevation view thereof, the right side elevation being a mirror image thereof;
FIG. 4 is a front elevation view thereof; and,
FIG. 5 is a rear elevation view thereof.

1 Claim, 3 Drawing Sheets



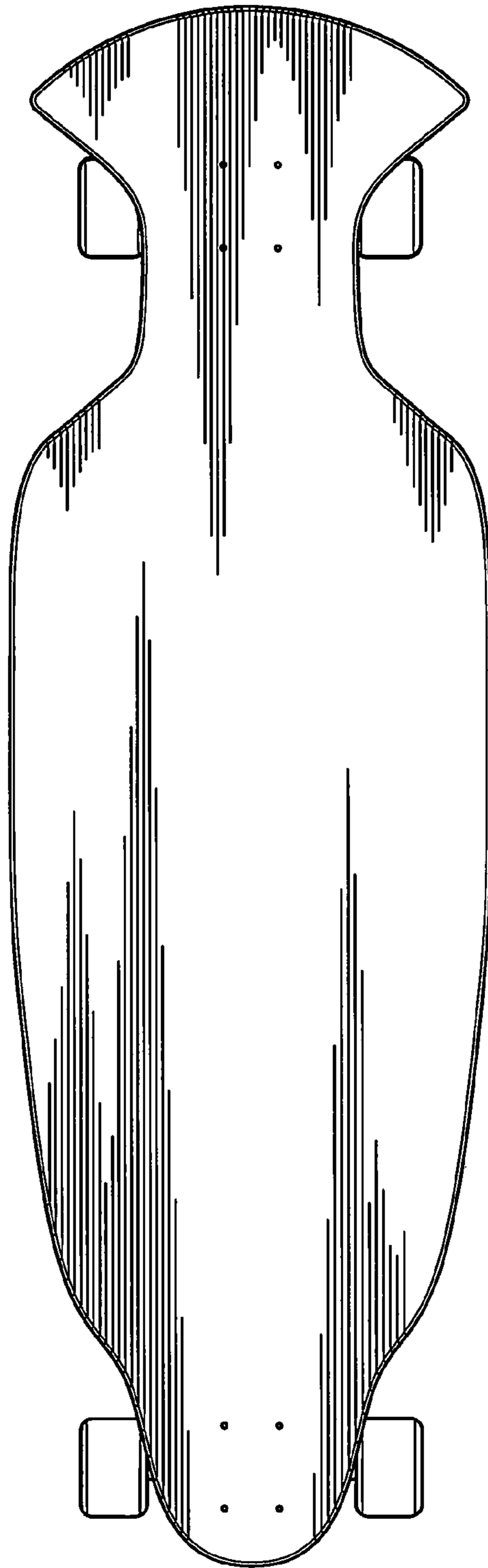


FIG. 1

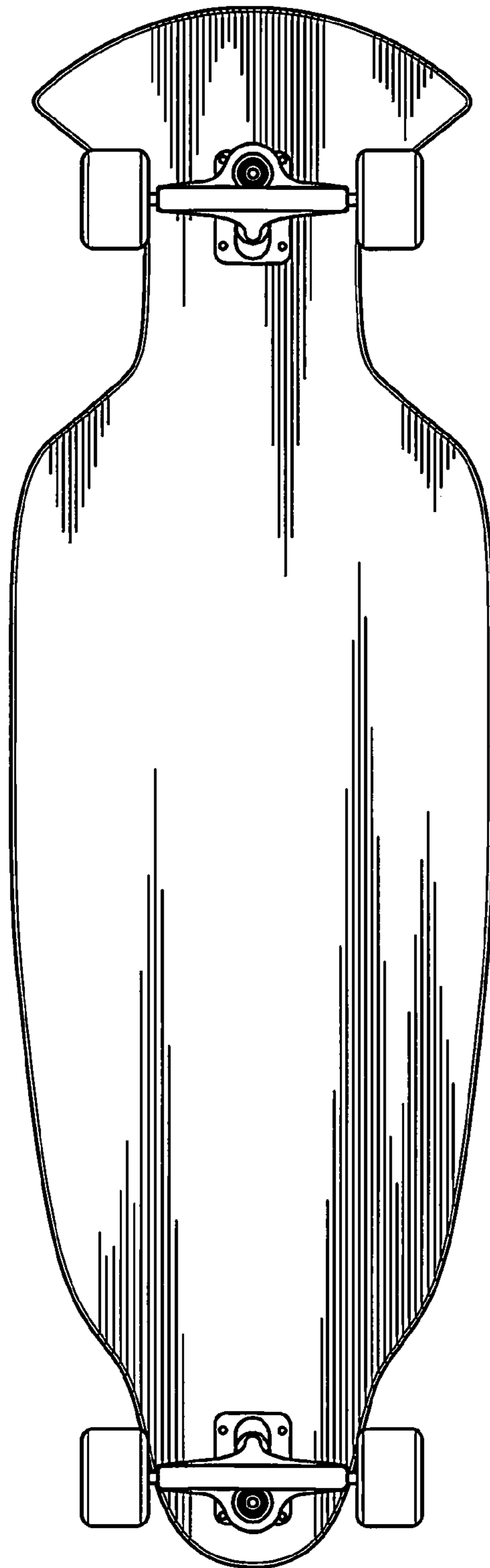


FIG. 2

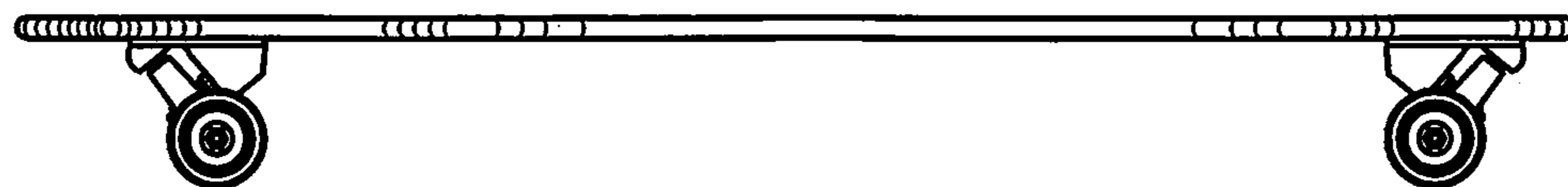


FIG. 3

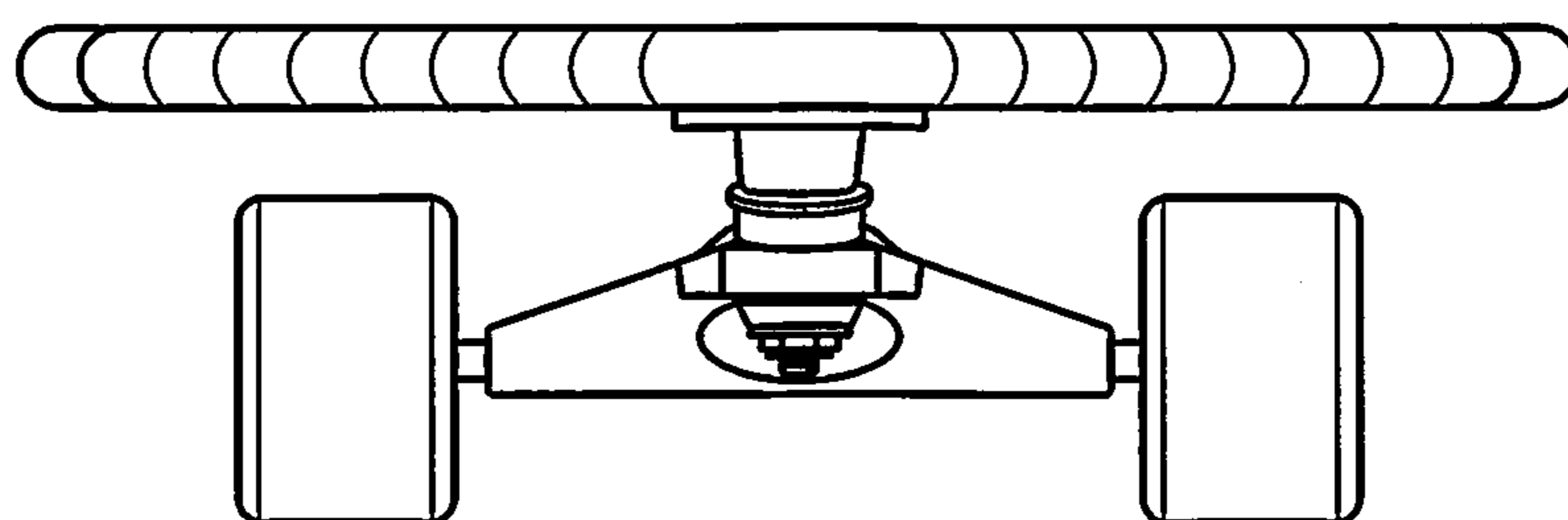


FIG. 4

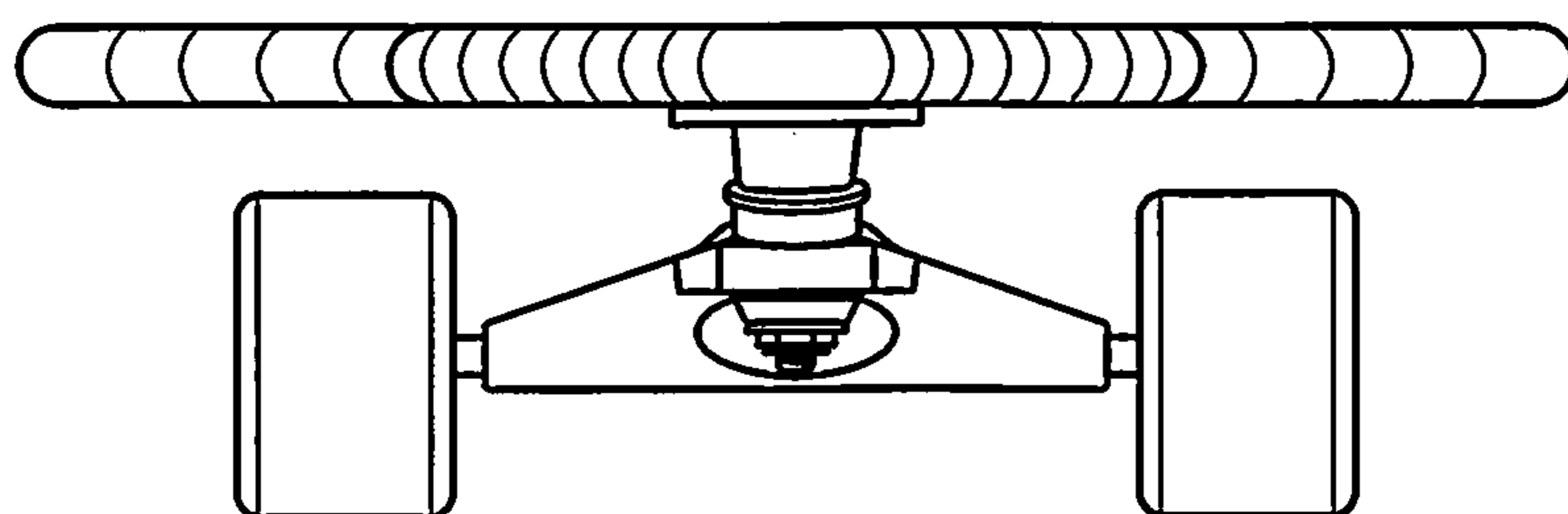


FIG. 5