



US00D705369S

(12) **United States Design Patent**
Mickle

(10) **Patent No.:** **US D705,369 S**

(45) **Date of Patent:** **** May 20, 2014**

- (54) **TRANSPARENT PUTTER HEAD**
- (71) Applicant: **Wesley J. Mickle**, Weatherford, TX (US)
- (72) Inventor: **Wesley J. Mickle**, Weatherford, TX (US)
- (**) Term: **14 Years**
- (21) Appl. No.: **29/455,554**
- (22) Filed: **May 22, 2013**

- D374,470 S * 10/1996 Steele D21/745
- D375,131 S * 10/1996 Williams D21/743
- D380,801 S * 7/1997 Steele D21/744
- D399,900 S * 10/1998 Hogan D21/742
- D403,387 S * 12/1998 Bloomer D21/736
- 5,964,669 A * 10/1999 Bloomer 473/250
- D435,879 S * 1/2001 Jackson D21/736
- RE37,519 E 1/2002 Densberger et al.
- D458,657 S 6/2002 Shmoldas et al.

(Continued)

Primary Examiner — Mitchell Siegel

(74) *Attorney, Agent, or Firm* — Decker, Jones et al.; Brian K. Yost; Geoffrey A. Mantooth

Related U.S. Application Data

- (62) Division of application No. 29/442,133, filed on Dec. 14, 2012.
- (51) **LOC (10) Cl.** **21-02**
- (52) **U.S. Cl.**
USPC **D21/736**
- (58) **Field of Classification Search**
USPC D21/736–746, 759; 473/324–331,
473/340–341, 251–256
See application file for complete search history.

(57) **CLAIM**

The ornamental design for a transparent putter head, as shown and described.

DESCRIPTION

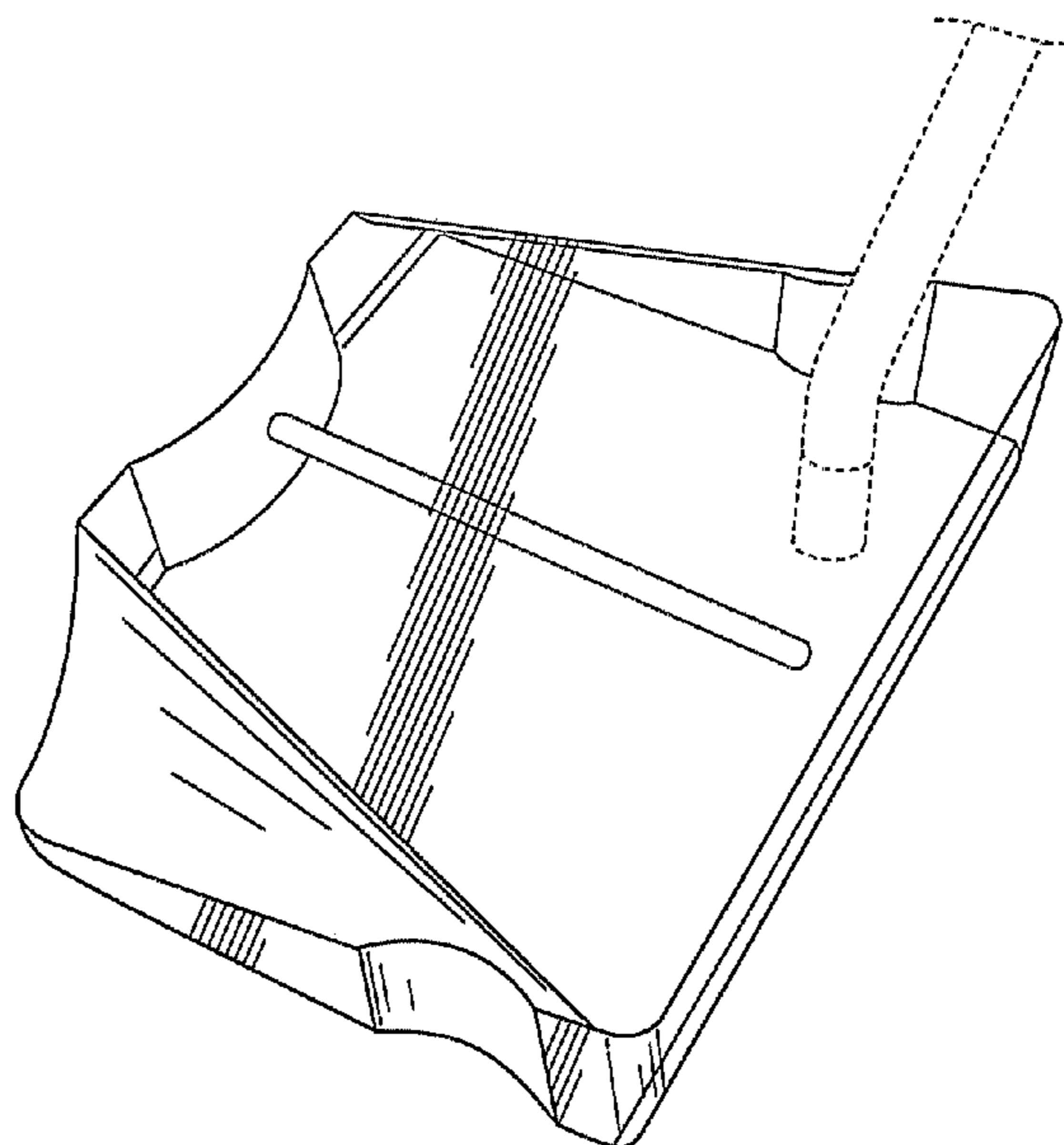
FIG. 1 is a perspective face, toe-side, and upper-side view of a transparent putter head according to my new design;
 FIG. 2 is a perspective face, heel-side, and upper-side view of the transparent putter head of FIG. 1;
 FIG. 3 is a front elevation view of the transparent putter head shown in FIG. 1;
 FIG. 4 is a rear elevation view of the transparent putter head shown in FIG. 1;
 FIG. 5 is a top plan view of the putter head shown in FIG. 1;
 FIG. 6 is a bottom plan view of the putter head shown in FIG. 1;
 FIG. 7 is a toe-side elevation view of the transparent putter head shown in FIG. 1; and,
 FIG. 8 is a heel-side elevation view of the transparent putter head shown in FIG. 1.
 The broken lines showing the shaft in FIGS. 1-4 and FIGS. 7-8 and the shaft opening in FIG. 5 are shown for illustrative purposes and form no part of the claimed design.

(56) **References Cited**

U.S. PATENT DOCUMENTS

- 1,454,267 A 5/1923 Challis et al.
- 2,843,384 A * 7/1958 Schmidt D21/736
- 3,043,596 A 7/1962 Ehmke
- D206,549 S 12/1966 Mackenzie
- 3,866,922 A 2/1975 Marci et al.
- 3,873,094 A 3/1975 Sebo et al.
- 4,222,566 A 9/1980 Berry
- 4,326,716 A 4/1982 LaCoste
- 4,369,974 A * 1/1983 Komperda 473/250
- 4,749,196 A 6/1988 Podgor
- 5,082,277 A 1/1992 Gingold
- D325,414 S * 4/1992 Woolsey D21/737
- 5,226,654 A 7/1993 Solheim
- 5,467,989 A 11/1995 Good et al.

1 Claim, 4 Drawing Sheets



(56)

References Cited

U.S. PATENT DOCUMENTS

D484,935 S 1/2004 Tang
D491,991 S * 6/2004 Friebus D21/738
D503,447 S * 3/2005 Toroussian D21/736
D520,089 S * 5/2006 Garcia D21/744

D521,088 S * 5/2006 Mercier D21/736
7,169,058 B1 * 1/2007 Fagan 473/330
7,905,794 B2 * 3/2011 Ross 473/250
D636,828 S * 4/2011 Ross D21/736
D666,260 S * 8/2012 Cynn D21/742

* cited by examiner

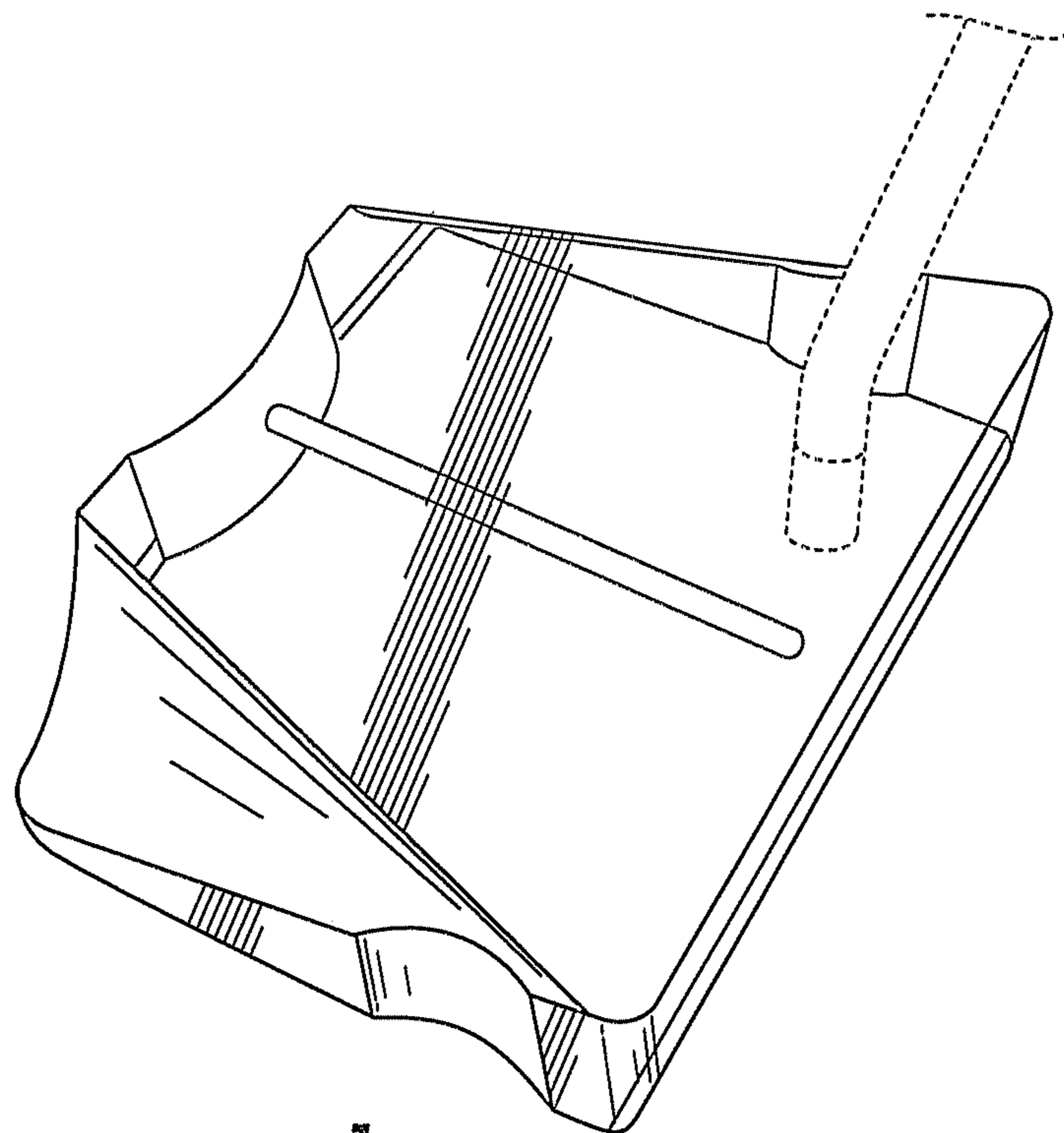


FIG. 1

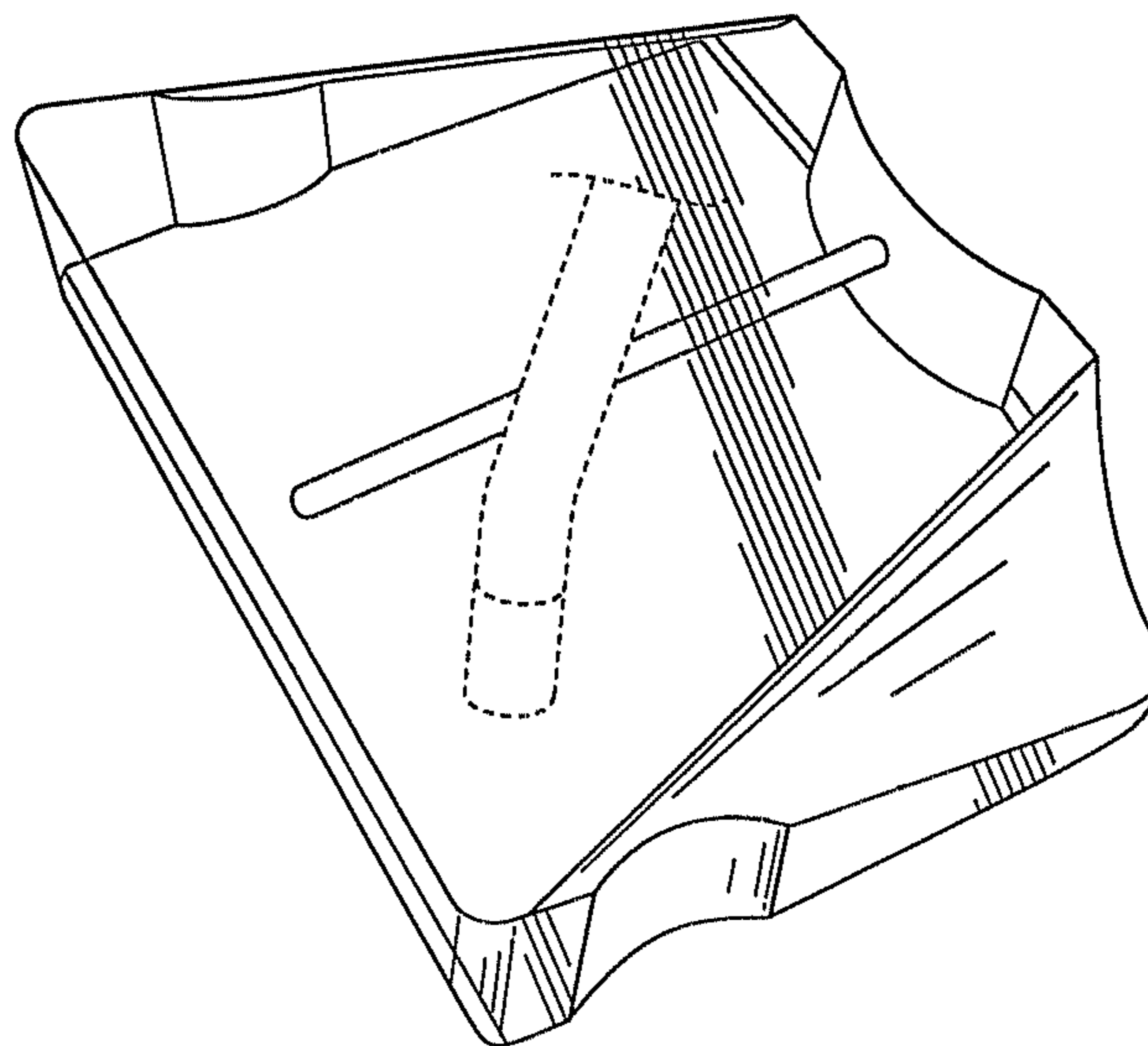


FIG. 2

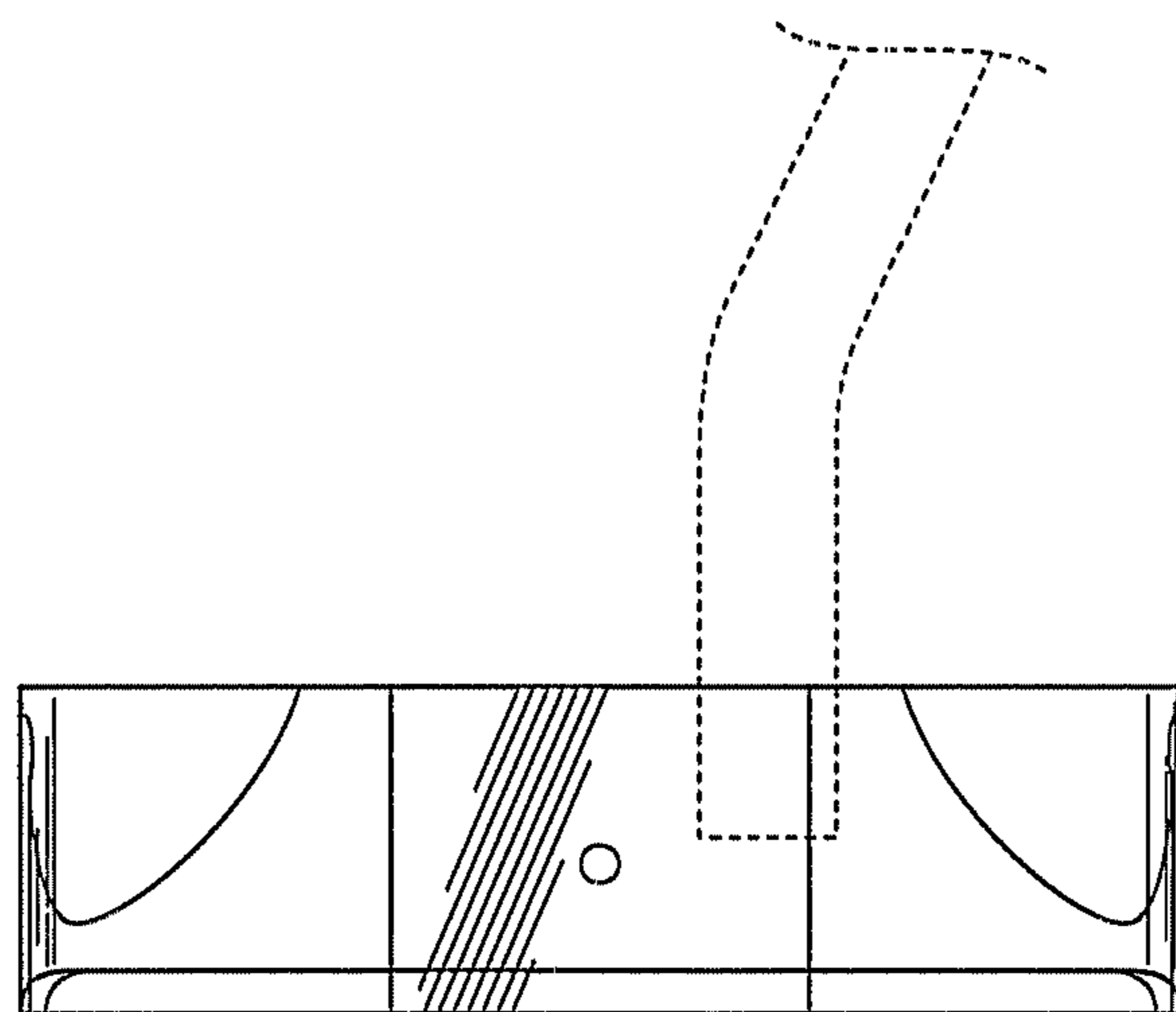


FIG. 3

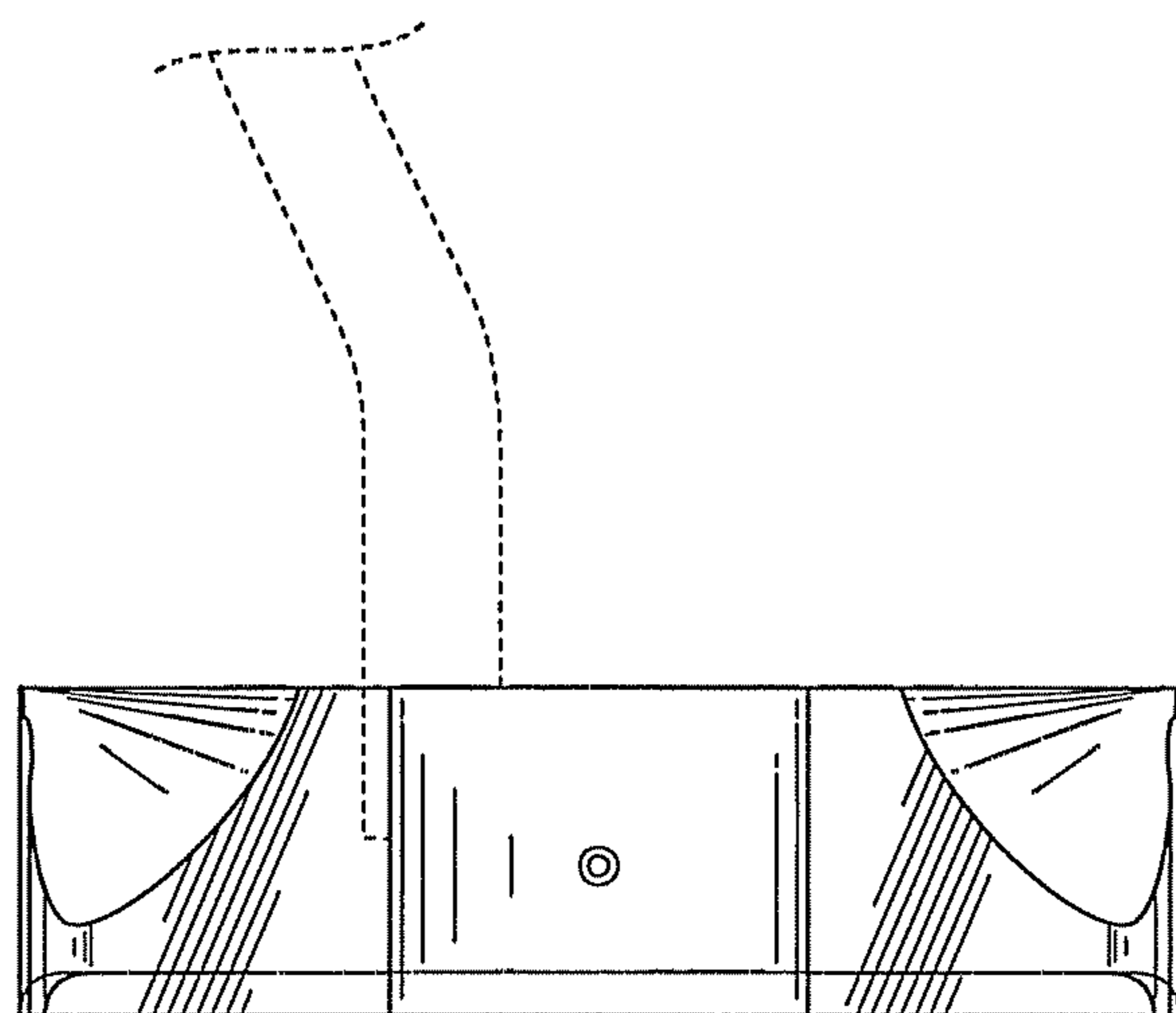


FIG. 4

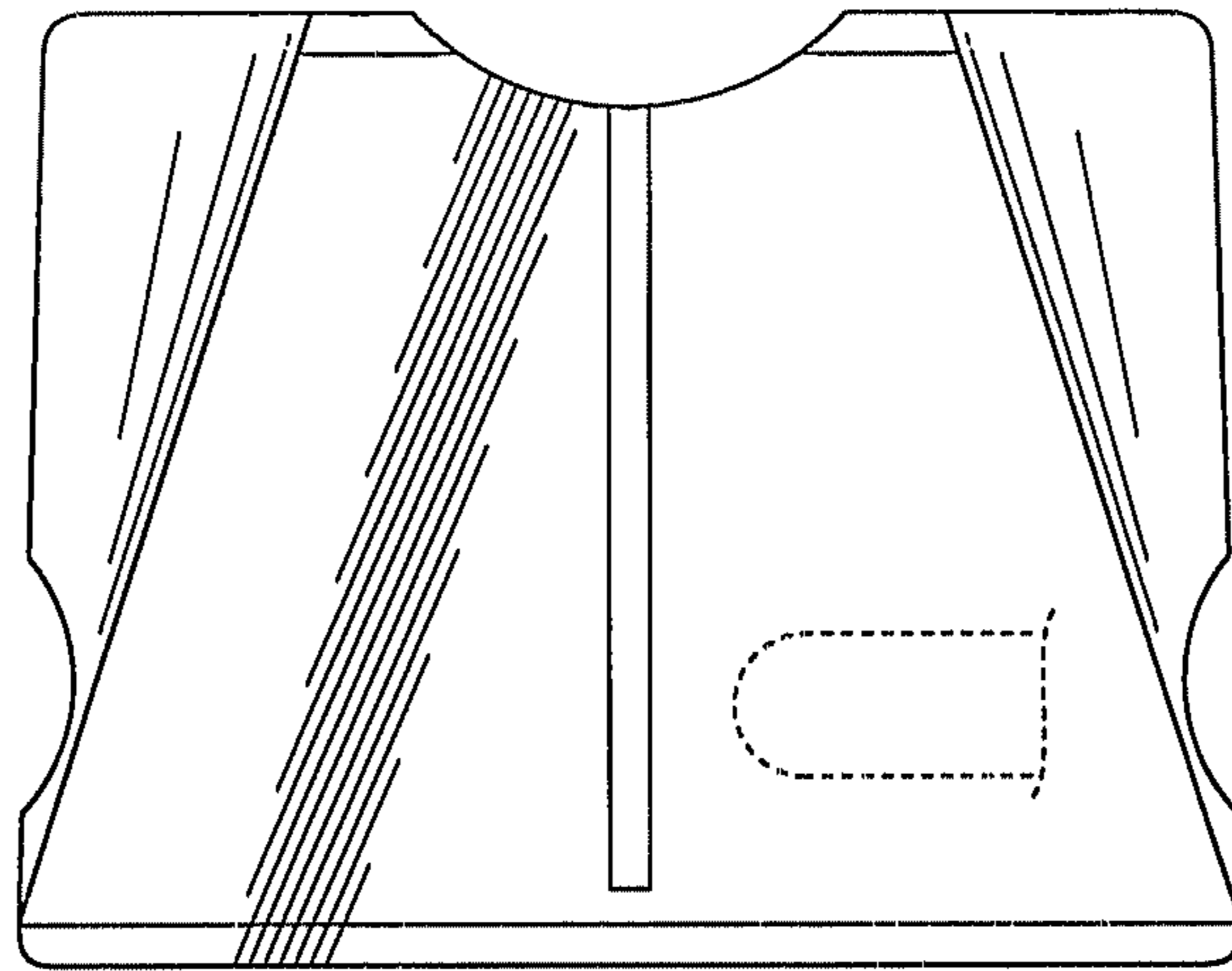


FIG. 5

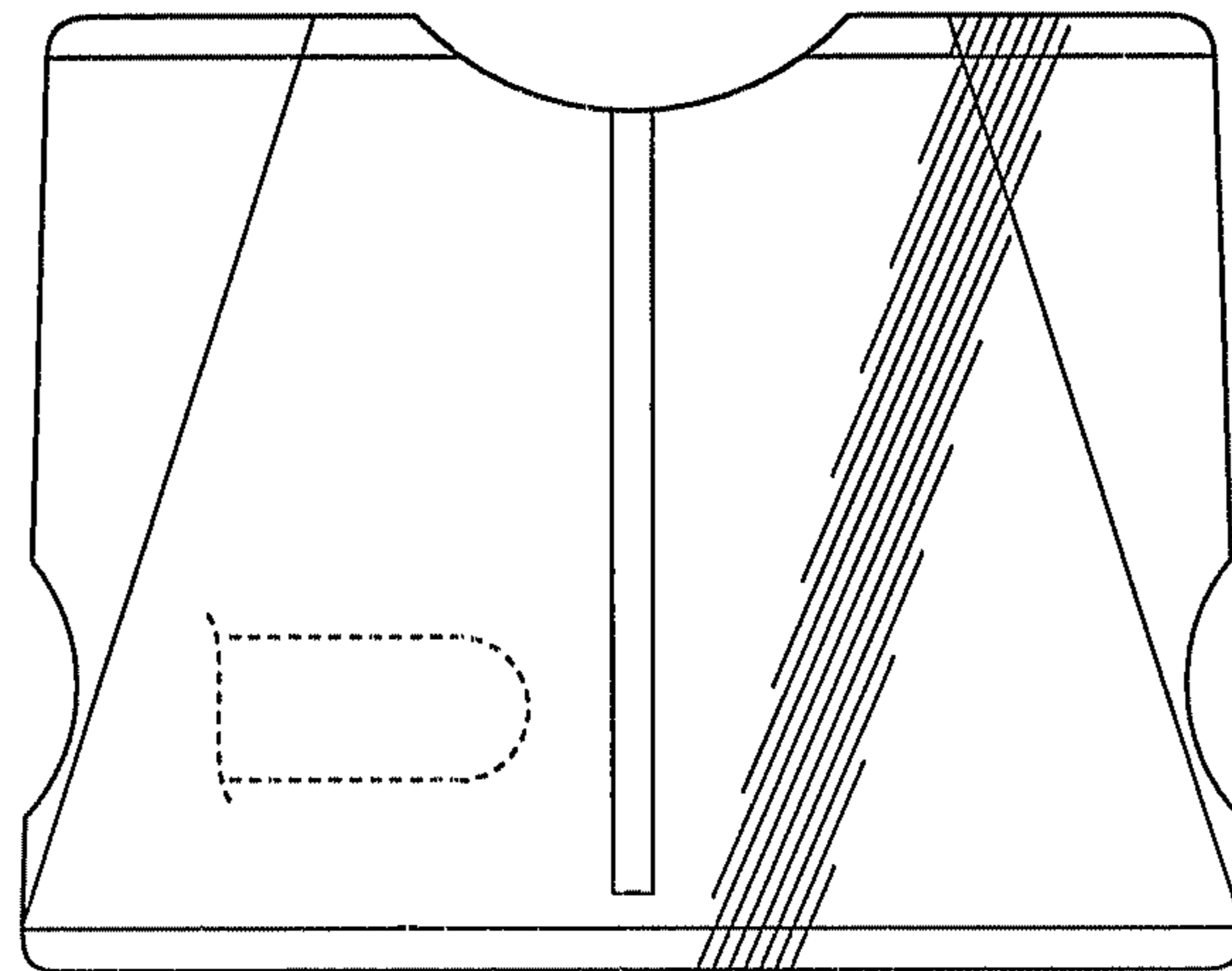


FIG. 6

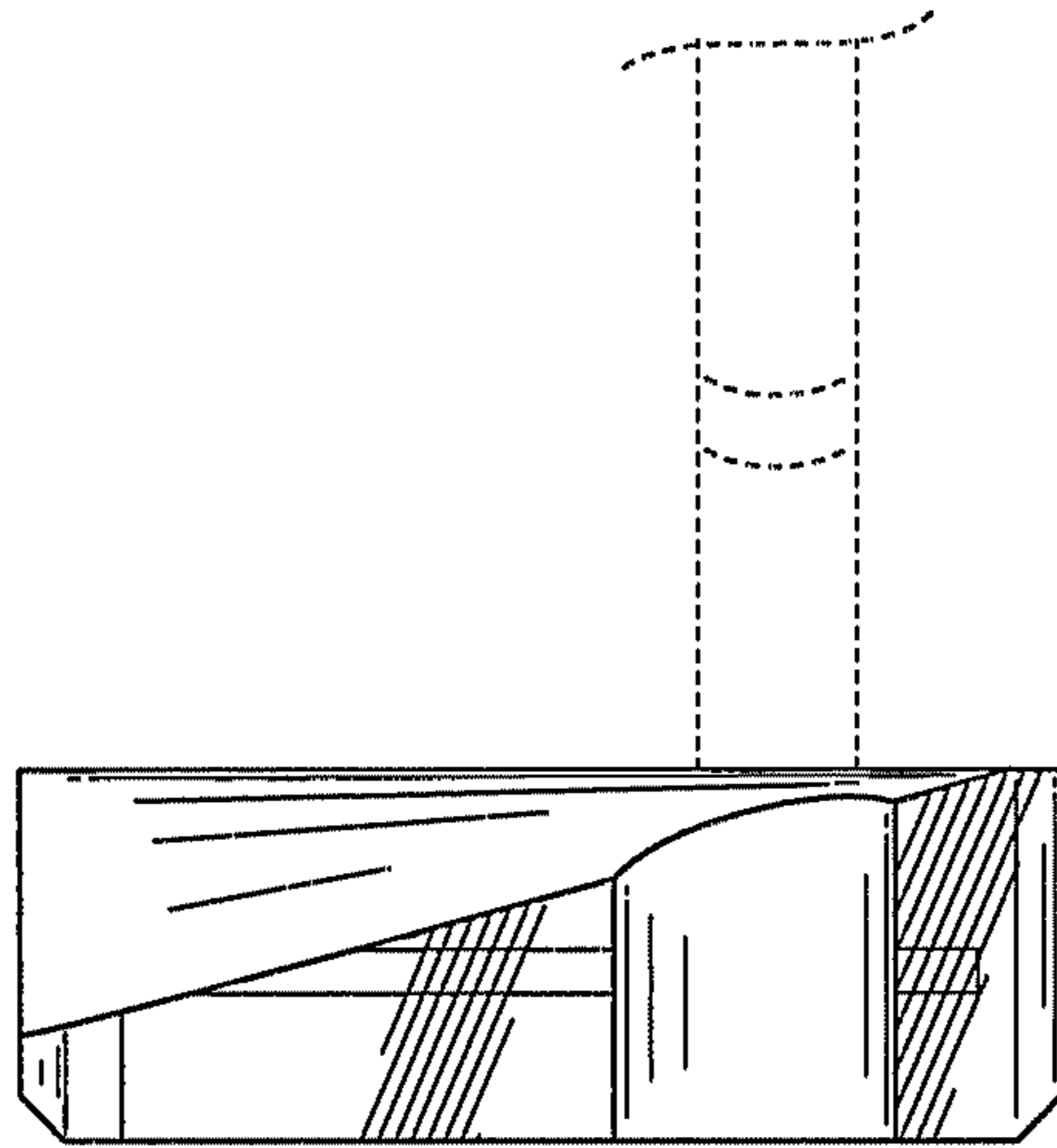


FIG. 7

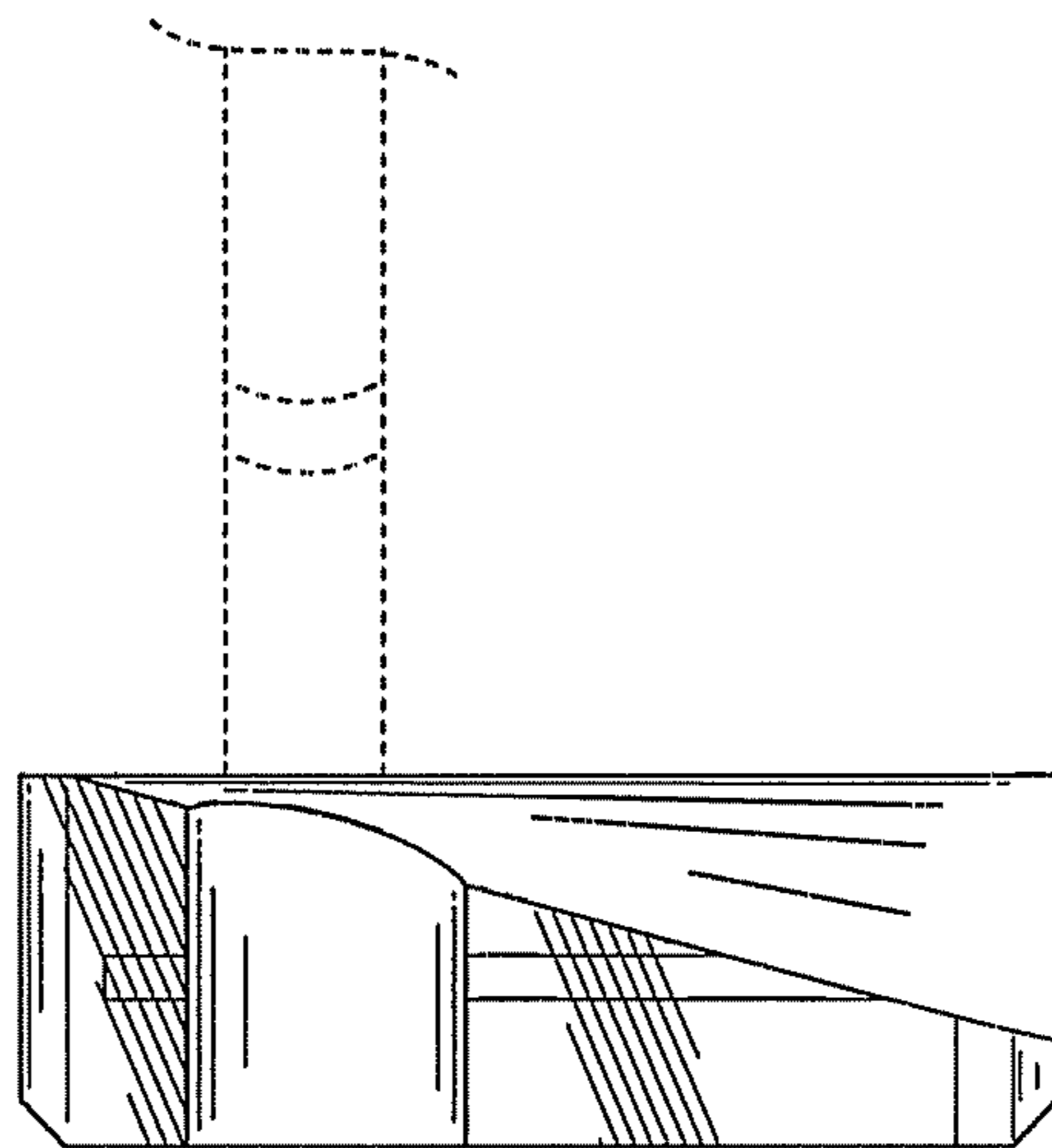


FIG. 8