



US00D705367S

(12) **United States Design Patent**
Ho et al.

(10) **Patent No.:** **US D705,367 S**
(45) **Date of Patent:** **** May 20, 2014**

(54) **ABDOMEN EXERCISE MACHINE**
(71) Applicants: **Wei-Teh Ho**, Taipei (TW); **Wei-Yu Ho**, Taipei (TW)
(72) Inventors: **Wei-Teh Ho**, Taipei (TW); **Wei-Yu Ho**, Taipei (TW)
(**) Term: **14 Years**

(21) Appl. No.: **29/421,829**

(22) Filed: **Oct. 1, 2012**

(30) **Foreign Application Priority Data**

Jun. 14, 2012 (CN) 2012 3 0249736

(51) **LOC (10) Cl.** **21-02**

(52) **U.S. Cl.**
USPC **D21/687**

(58) **Field of Classification Search**
USPC D21/662, 674, 676, 686, 687, 688, 689, D21/694; 482/51, 70-72, 96, 112, 121, 482/130-132, 135, 140, 142, 147
See application file for complete search history.

(56) **References Cited**

U.S. PATENT DOCUMENTS

4,846,465 A * 7/1989 Iams et al. 482/132
D425,585 S * 5/2000 Wu D21/676

6,440,045 B1 * 8/2002 Gaston 482/140
7,232,404 B2 * 6/2007 Nelson 482/140
D567,312 S * 4/2008 Tsai D21/688
7,662,076 B1 * 2/2010 Ho 482/130
D626,608 S * 11/2010 Tsai D21/689
D631,519 S * 1/2011 Chen D21/689
7,878,957 B1 * 2/2011 Chen 482/140
8,052,583 B1 * 11/2011 Tsai 482/96
8,105,221 B2 * 1/2012 Splane 482/147
D659,777 S * 5/2012 Watterson et al. D21/689
2008/0207415 A1 * 8/2008 Tsai 482/147

* cited by examiner

Primary Examiner — Phillip S Hyder

(74) *Attorney, Agent, or Firm* — Blakely Sokoloff Taylor & Zafman LLP

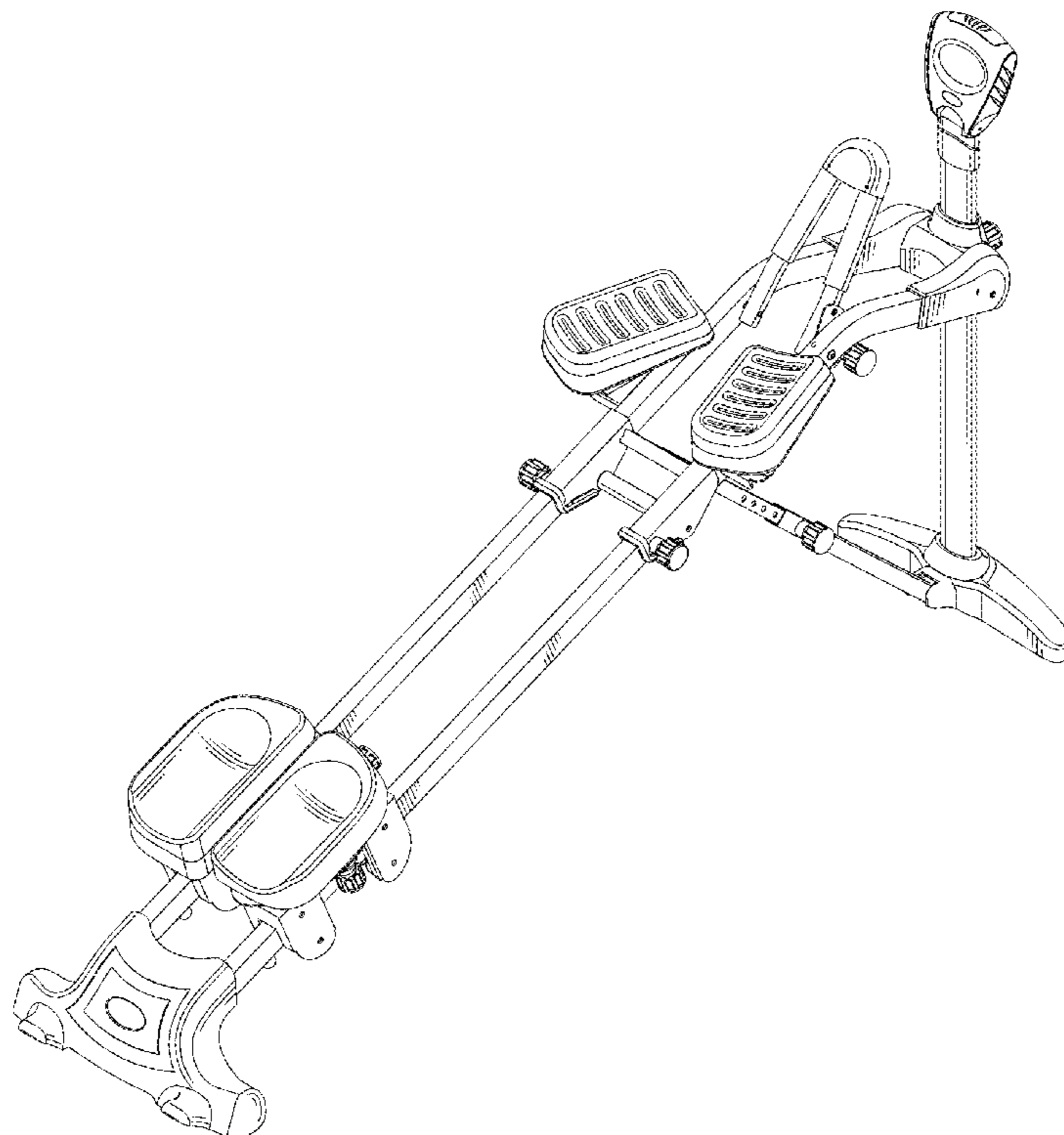
(57) **CLAIM**

We claim the ornamental design for an abdomen exercise machine, as shown and described.

DESCRIPTION

FIG. 1 is a perspective view of an abdomen exercise machine showing my new design;
FIG. 2 is a front view thereof;
FIG. 3 is a rear view thereof;
FIG. 4 is a left side view thereof;
FIG. 5 is a right side view thereof;
FIG. 6 is a top plan view thereof; and,
FIG. 7 is a bottom plan view thereof.

1 Claim, 6 Drawing Sheets



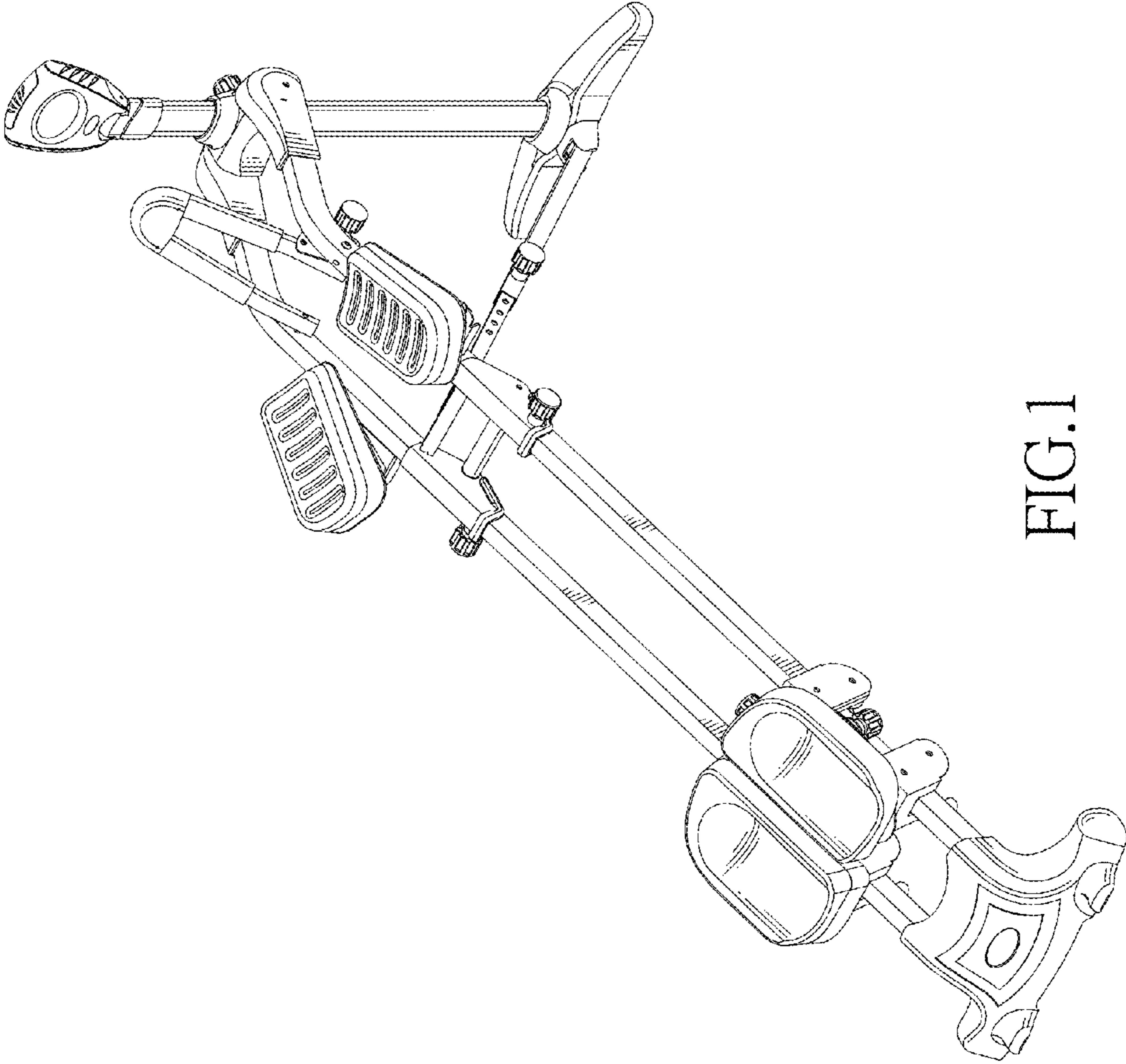


FIG. 1

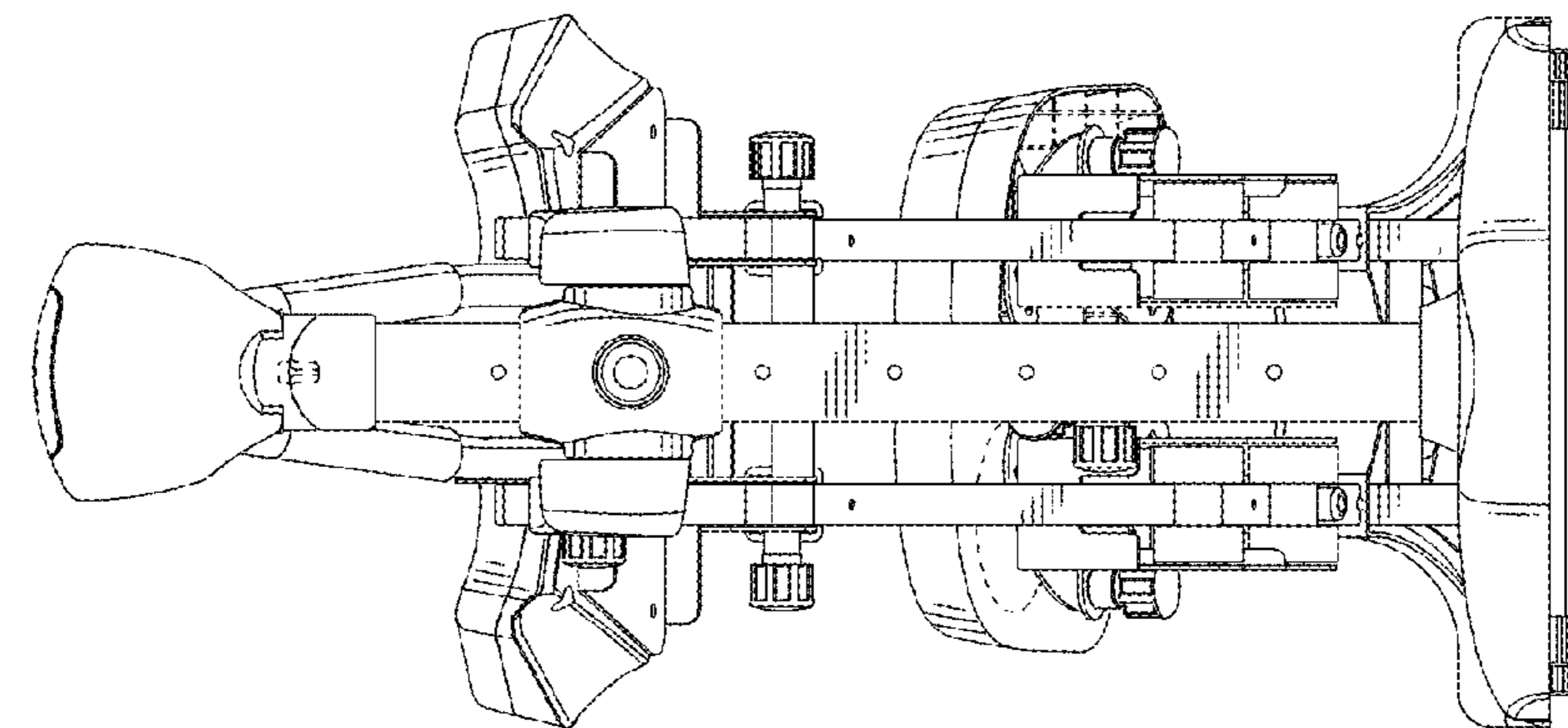


FIG. 2

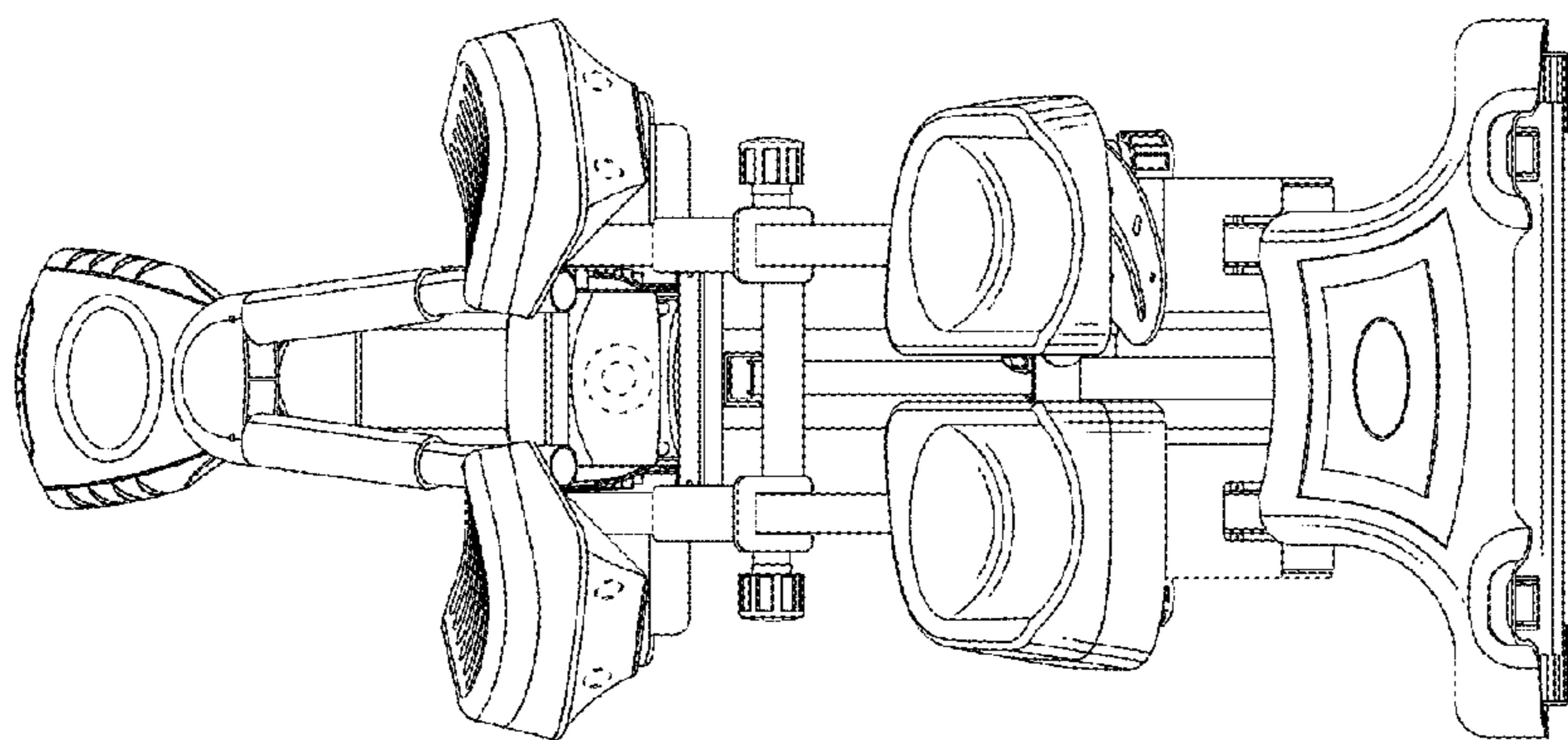


FIG. 3

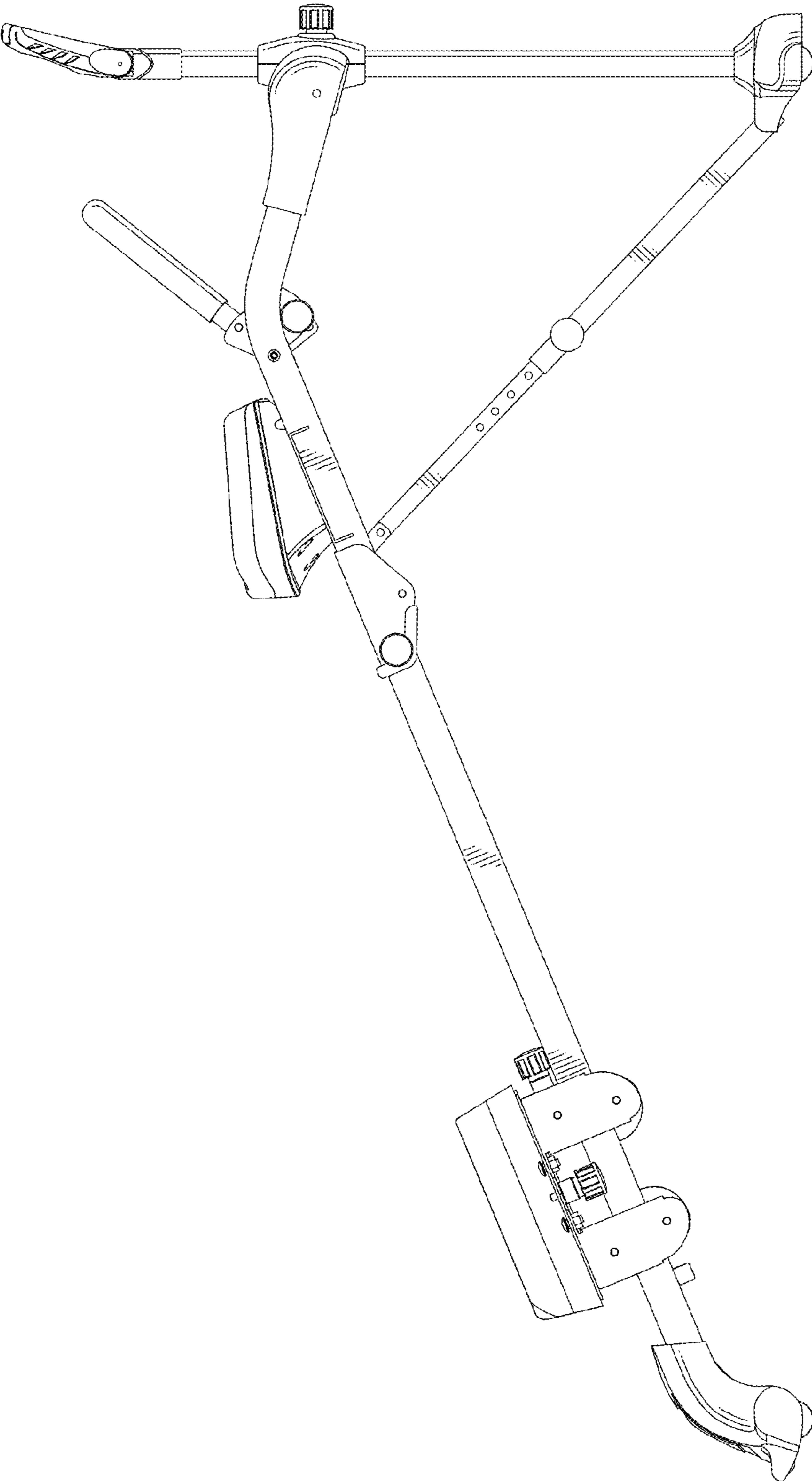


FIG.4

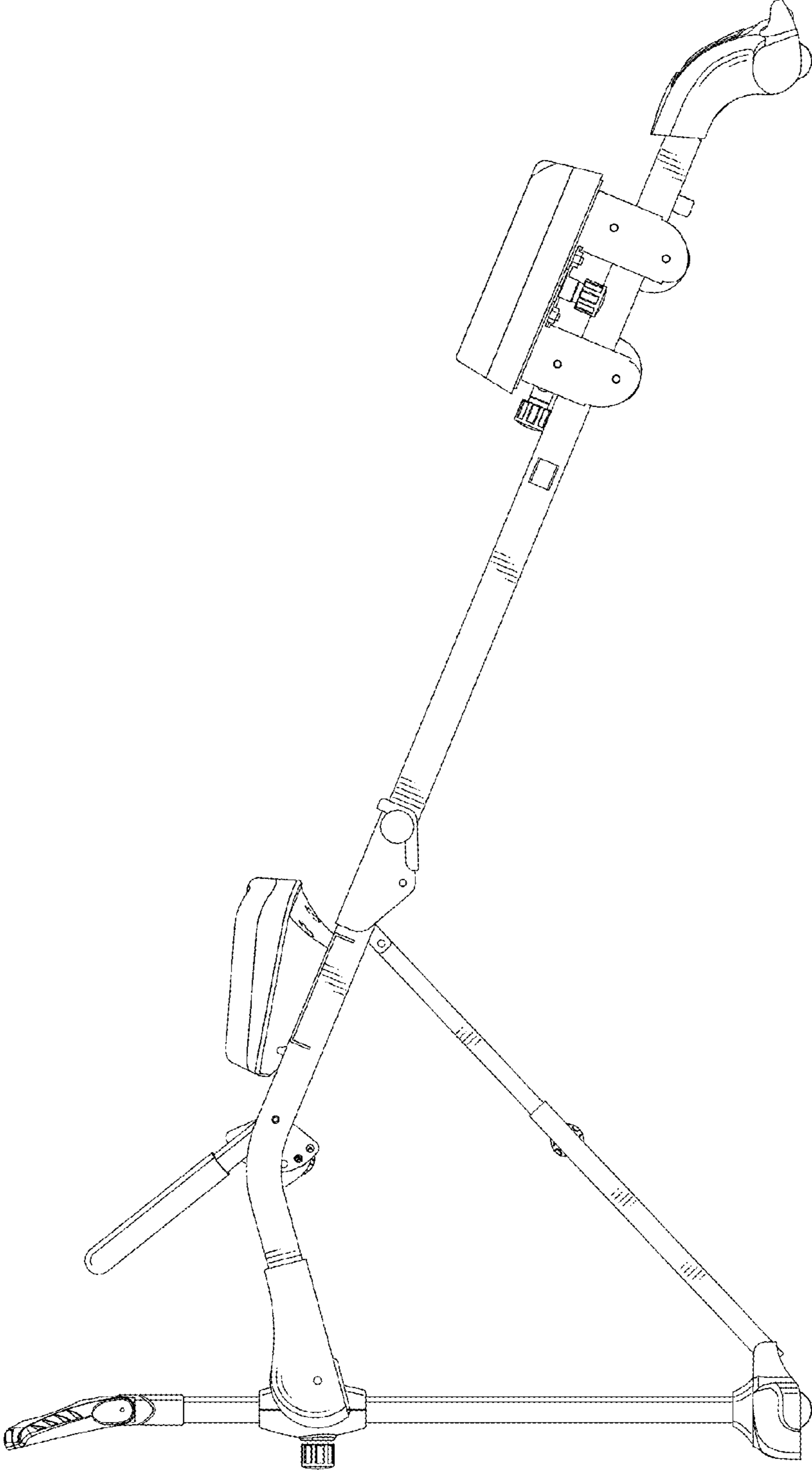


FIG.5

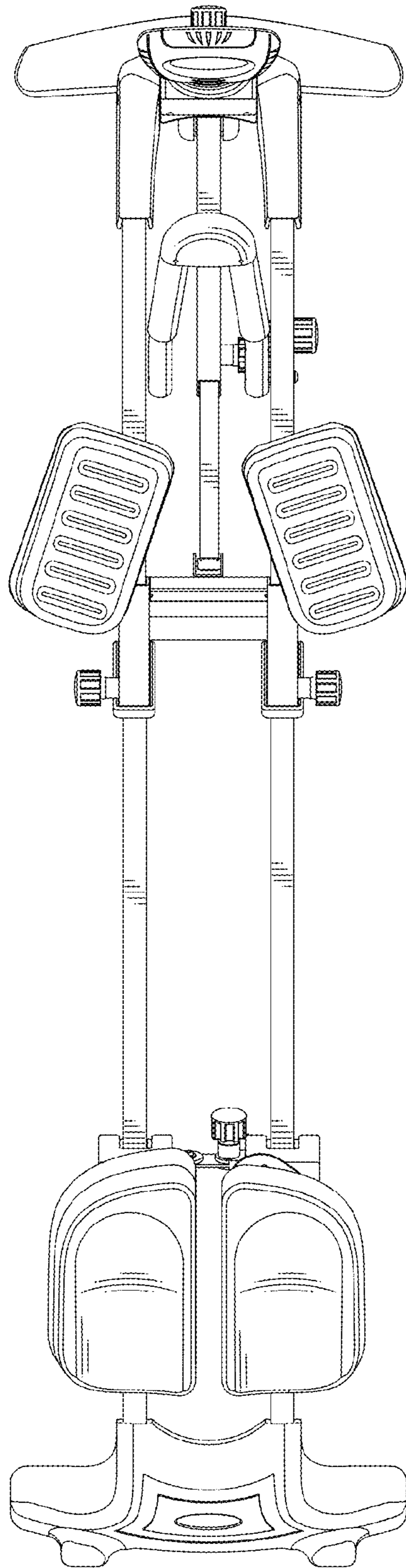


FIG.6

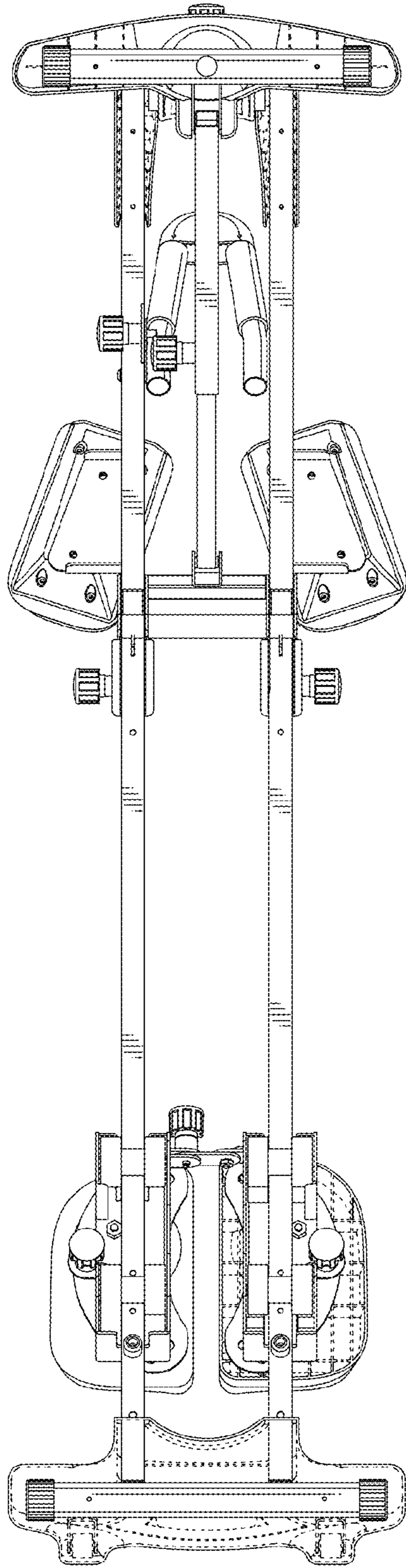


FIG.7