



US00D705363S

(12) **United States Design Patent**
Inoue et al.

(10) **Patent No.:** **US D705,363 S**
(45) **Date of Patent:** **** May 20, 2014**

(54) **GAME MACHINE**

FOREIGN PATENT DOCUMENTS

(71) Applicant: **Konami Gaming, Inc.**, Las Vegas, NV
(US)

JP 2002-210225 A 7/2002

(72) Inventors: **Atsushi Inoue**, Kanagawa (JP);
Tomoaki Hirai, Kanagawa (JP); **Masato Okuaki**, Kanagawa (JP); **Shoki Kogure**, Kanagawa (JP)

OTHER PUBLICATIONS

International Search Report and Written Opinion (PCT/US 12/24259) date of mailing May 18, 2012.

(Continued)

(73) Assignee: **Konami Gaming, Inc.**, Las Vegas, NV
(US)

Primary Examiner — Sandra Morris

(74) *Attorney, Agent, or Firm* — Howard & Howard Attorneys PLLC

(**) Term: **14 Years**

(21) Appl. No.: **29/449,279**

(57) **CLAIM**

We claim the ornamental design for a game machine, as shown and described.

(22) Filed: **Mar. 14, 2013**

(51) **LOC (10) Cl.** **21-03**

(52) **U.S. Cl.**
USPC **D21/369**; D21/385

DESCRIPTION

(58) **Field of Classification Search**
USPC D14/302, 305–307, 485–486;
D21/324–325, 329, 369–371, 385;
273/146, 274; 463/17, 20, 46–47;
715/781, 786

FIG. 1 is a first perspective view of a new design of a game machine;
FIG. 2 is a front view of the new design of a game machine;
FIG. 3 is a second perspective view of the new design of a game machine, shown enlarged and broken away for ease of illustration;
FIG. 4 is a third perspective view of the new design of a game machine;
FIG. 5 is a right side elevation view of the new design of a game machine;
FIG. 6 is a left side elevation view of the new design of a game machine;
FIG. 7 is a top view of the new design of a game machine;
FIG. 8 is a second front view of the new design of a game machine; and,
FIG. 9 is a rear view of the new design of a game machine.
The broken lines shown in the figures are for illustrative purposes only and form no part of the claimed design.

See application file for complete search history.

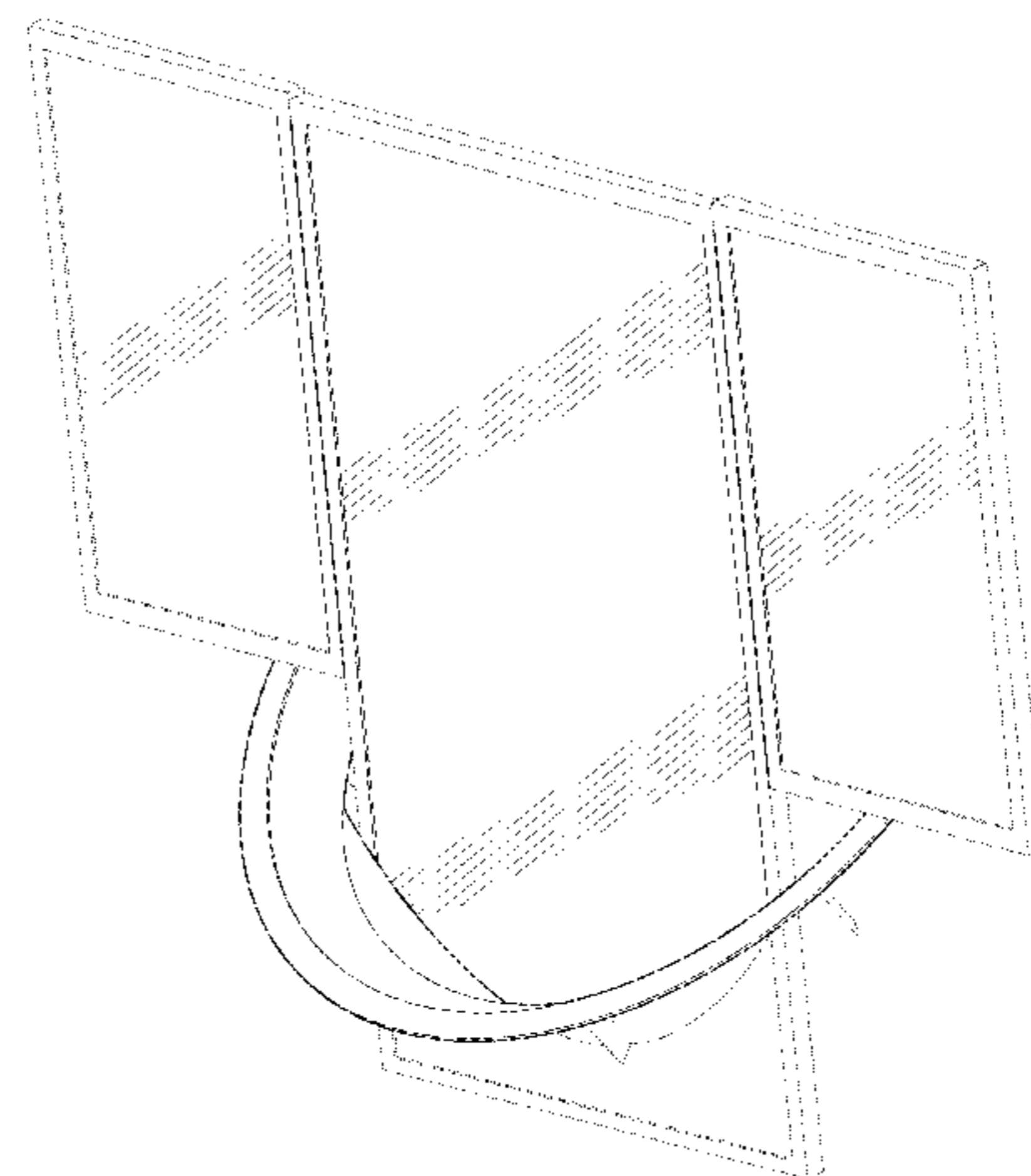
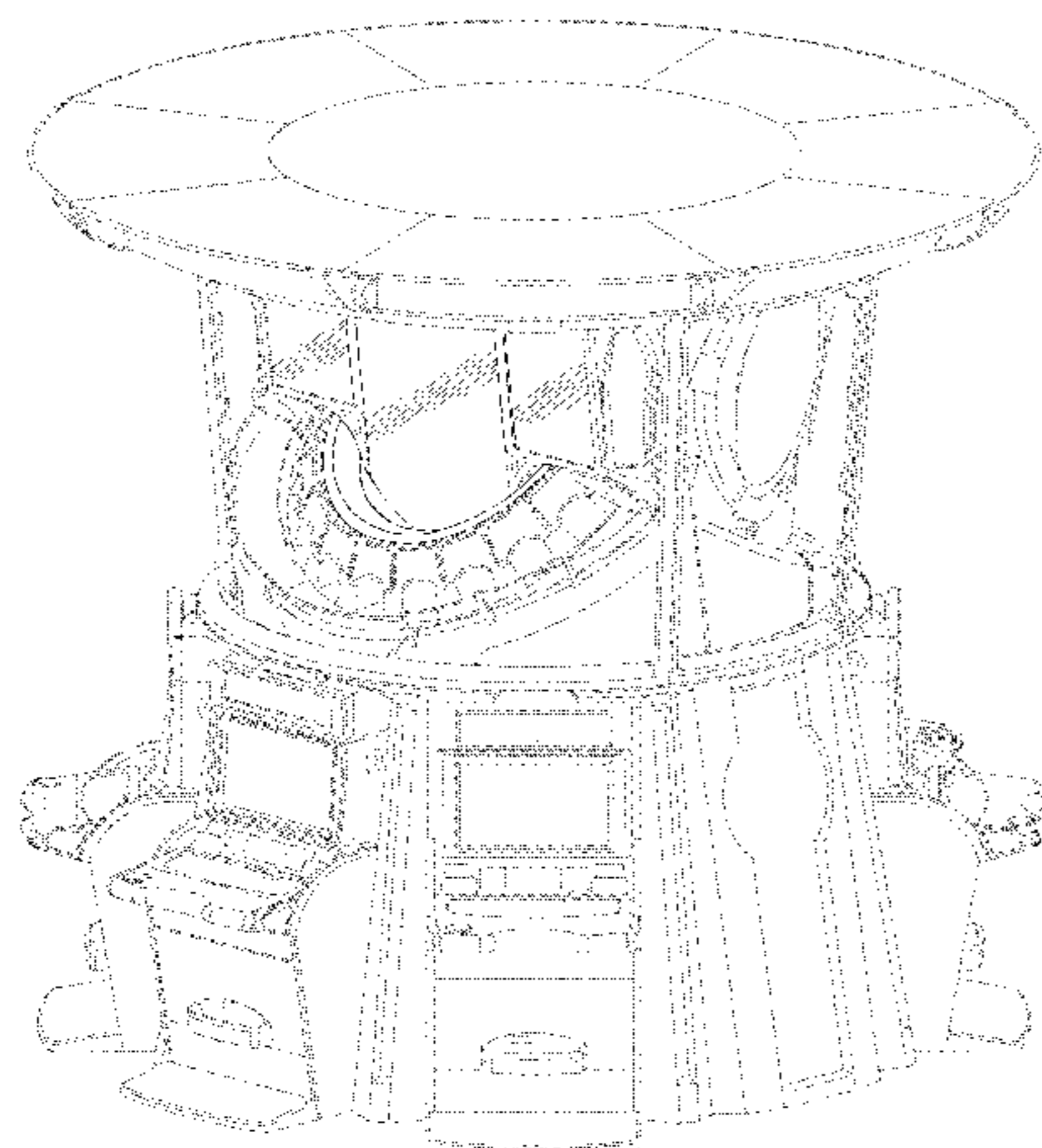
(56) **References Cited**

U.S. PATENT DOCUMENTS

D378,930 S *	4/1997	Nobata et al.	D21/369
5,622,366 A	4/1997	Inoue	
5,772,511 A	6/1998	Smeltzer	
5,857,910 A *	1/1999	Watanabe et al.	463/17
5,938,529 A	8/1999	Rodesch et al.	
6,254,479 B1	7/2001	Okitani et al.	
D458,310 S *	6/2002	Lynch	D21/369
6,446,965 B1	9/2002	Boulton	
6,869,359 B1	3/2005	Mathews	
D536,386 S *	2/2007	Kaminkow et al.	D21/385

(Continued)

1 Claim, 7 Drawing Sheets



(56)

References Cited

U.S. PATENT DOCUMENTS

D536,387 S * 2/2007 Kaminkow et al. D21/385
 D536,388 S * 2/2007 Kaminkow et al. D21/385
 D537,886 S * 3/2007 Kaminkow et al. D21/385
 D591,800 S * 5/2009 Hsu D21/369
 D592,708 S * 5/2009 Hsu D21/369
 D597,144 S * 7/2009 Myers D21/370
 7,651,392 B2 1/2010 Pennington et al.
 D613,343 S * 4/2010 Inoue D21/369
 D614,244 S * 4/2010 Inoue D21/371
 8,191,893 B2 6/2012 Cammegh et al.
 8,216,046 B2 7/2012 Ikeya et al.
 2005/0153772 A1 7/2005 Griswold et al.
 2005/0239536 A1 10/2005 Ogiwara
 2006/0046837 A1 3/2006 Ito et al.
 2006/0287054 A1 12/2006 Walker et al.
 2007/0265056 A1 11/2007 Yoshizawa
 2007/0296146 A1 12/2007 Omoto et al.
 2008/0045309 A1 2/2008 Okada
 2008/0096635 A1 4/2008 Power
 2008/0200233 A1 8/2008 Aida
 2009/0005149 A1 1/2009 Okuaki et al.
 2009/0023491 A1 1/2009 Ikeya et al.
 2009/0176548 A1 7/2009 Nakamura et al.
 2009/0227353 A1 9/2009 Yoshizawa
 2010/0167804 A1 7/2010 Okuaki et al.
 2010/0210347 A1 8/2010 Seelig et al.
 2010/0240439 A1 9/2010 Englman et al.
 2010/0323787 A1 12/2010 Omoto
 2011/0018194 A1 1/2011 Nicely et al.
 2011/0118013 A1 5/2011 Mattice et al.
 2011/0170746 A1 7/2011 Pryor
 2011/0190041 A1 8/2011 Wald
 2011/0210509 A1 9/2011 Okuaki

2011/0210510 A1 9/2011 Matsuki et al.
 2011/0281631 A1 11/2011 Bontempo et al.
 2011/0306406 A1 12/2011 Okuaki et al.
 2012/0004036 A1 1/2012 Hill
 2012/0115562 A1 5/2012 Kido et al.

OTHER PUBLICATIONS

International Search Report and Written Opinion (PCT/US 12/29680) date of mailing Jun. 19, 2012.
 International Search Report and Written Opinion (PCT/US2012/039034) date of mailing Aug. 3, 2012.
 International Search Report and Written Opinion (PCT/US2012/043607) date of mailing Sep. 21, 2012.
 International Search Report and Written Opinion (PCT/US2012/043617) date of mailing Sep. 21, 2012.
 Office Action (U.S. Appl. No. 13/567,759) mailed Jun. 5, 2013.
 Examiner's First Report (AU 2011211372) dated Nov. 29, 2011.
 Patent Examination Report No. 2 (AU 2011211372) dated Jul. 5, 2012.
 International Search Report and Written Opinion (PCT/US2012/053146) date of mailing Nov. 20, 2012.
 International Search Report and Written Opinion (PCT/US2012/053092) date of mailing Nov. 20, 2012.
 International Search Report and Written Opinion (PCT/US2012/053138) date of mailing Nov. 13, 2012.
 International Search Report and Written Opinion (PCT/US 12/53677) date of mailing Nov. 23, 2012.
 International Search Report and Written Opinion (PCT/US 12/53491) date of mailing Nov. 30, 2012.
 International Search Report and Written Opinion (PCT/US2012/053428) date of mailing Nov. 20, 2012.
 Examination Report dated Apr. 15, 2013.

* cited by examiner

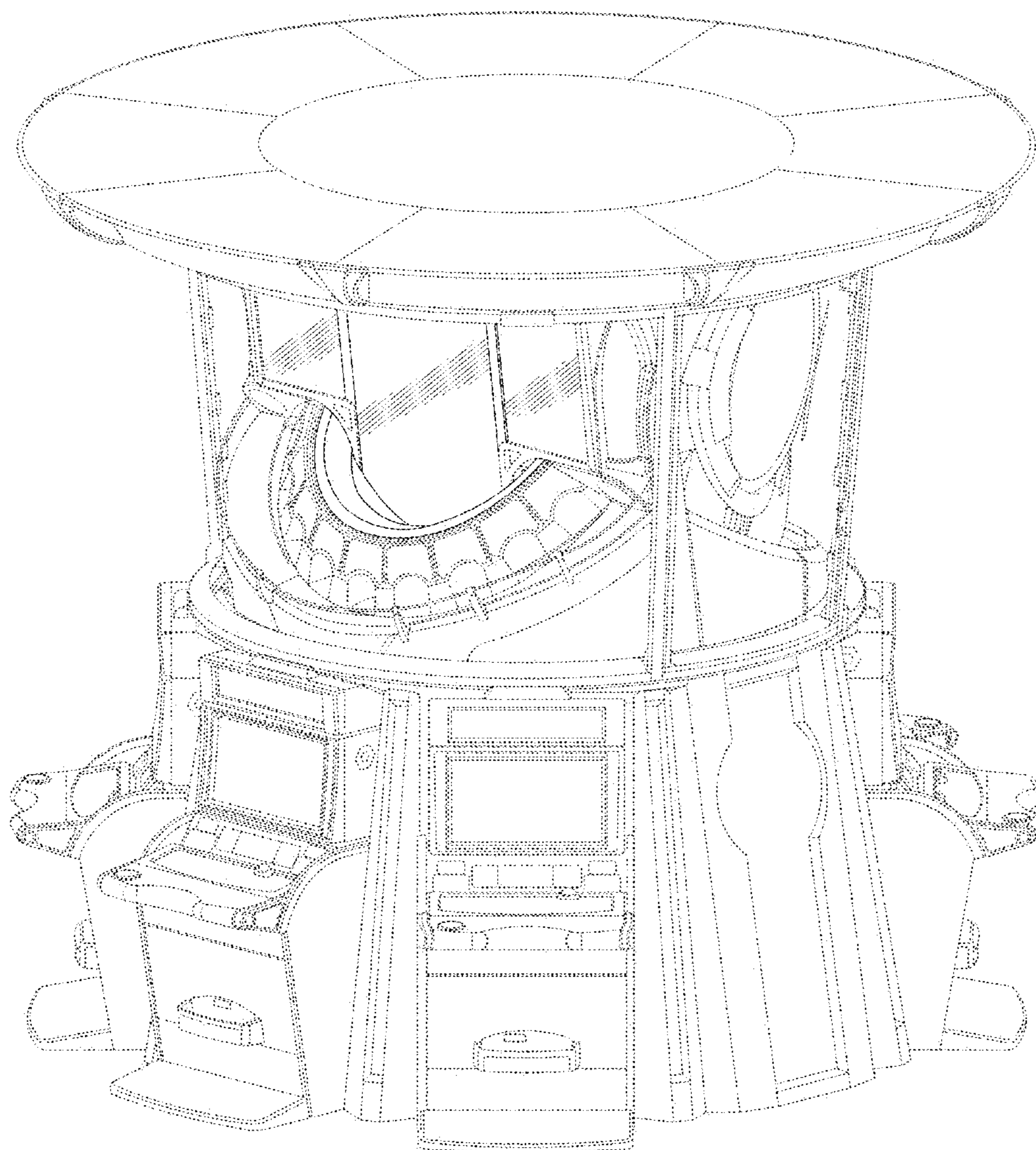


FIG. 1

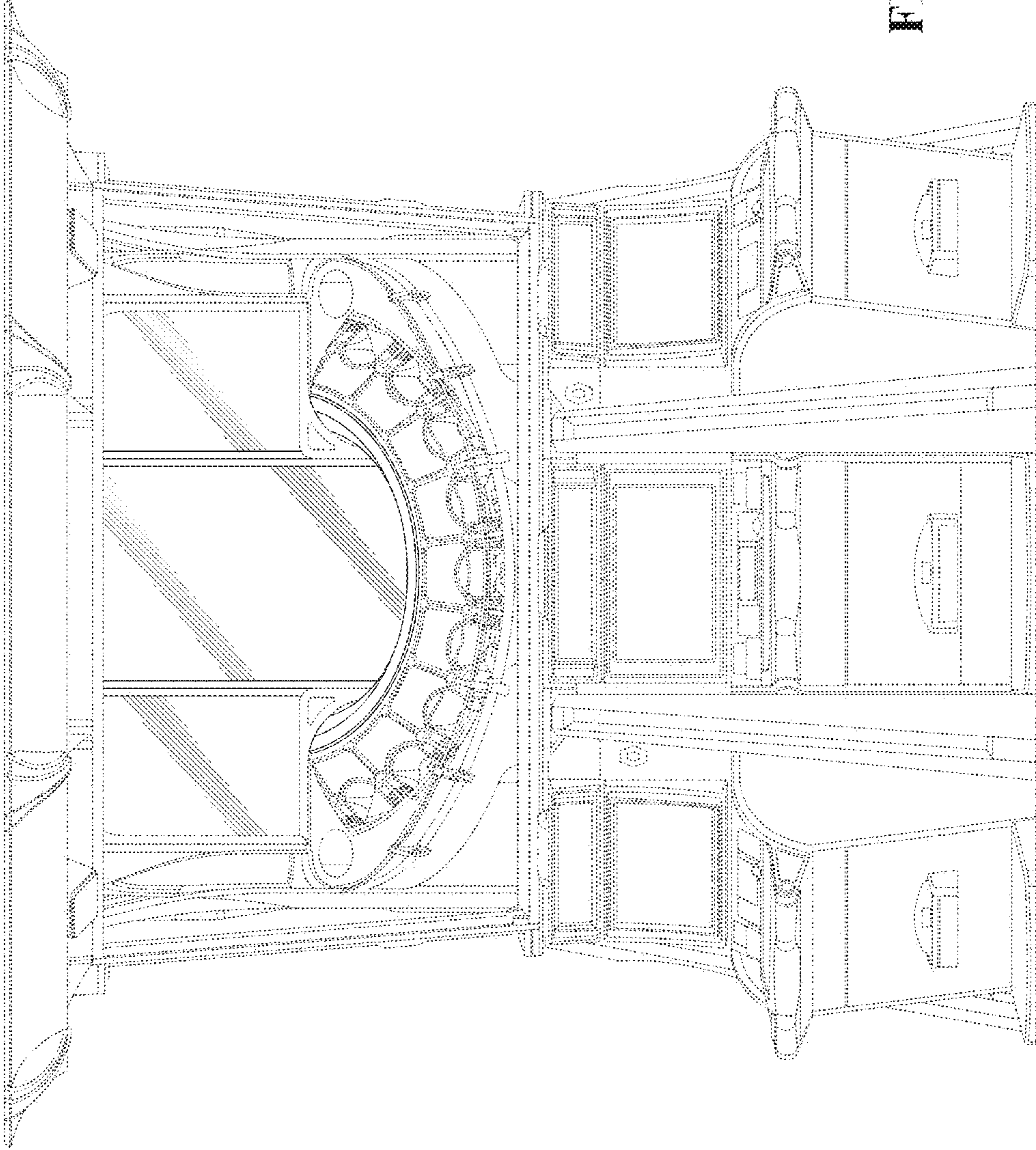


FIG. 2

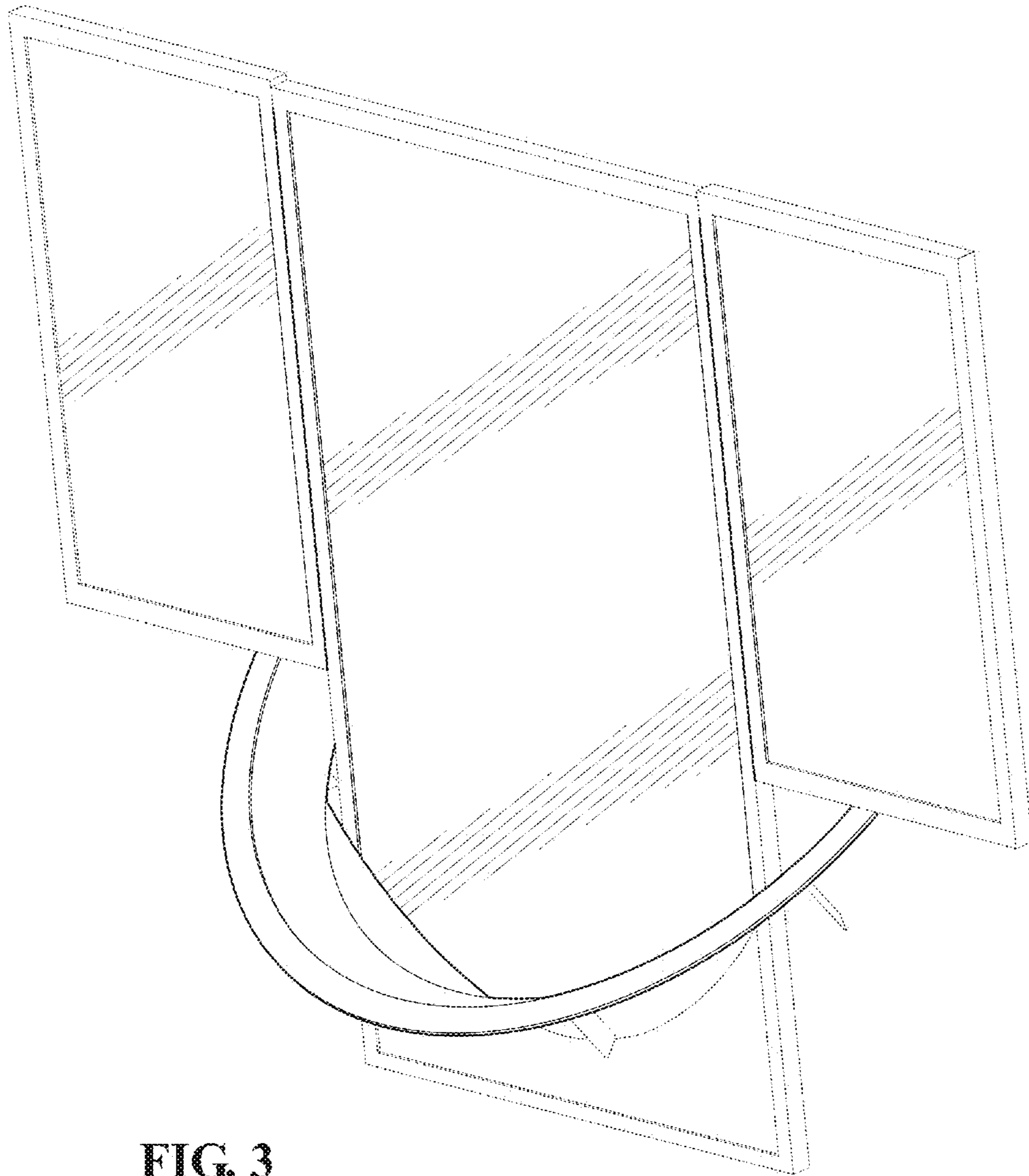


FIG. 3

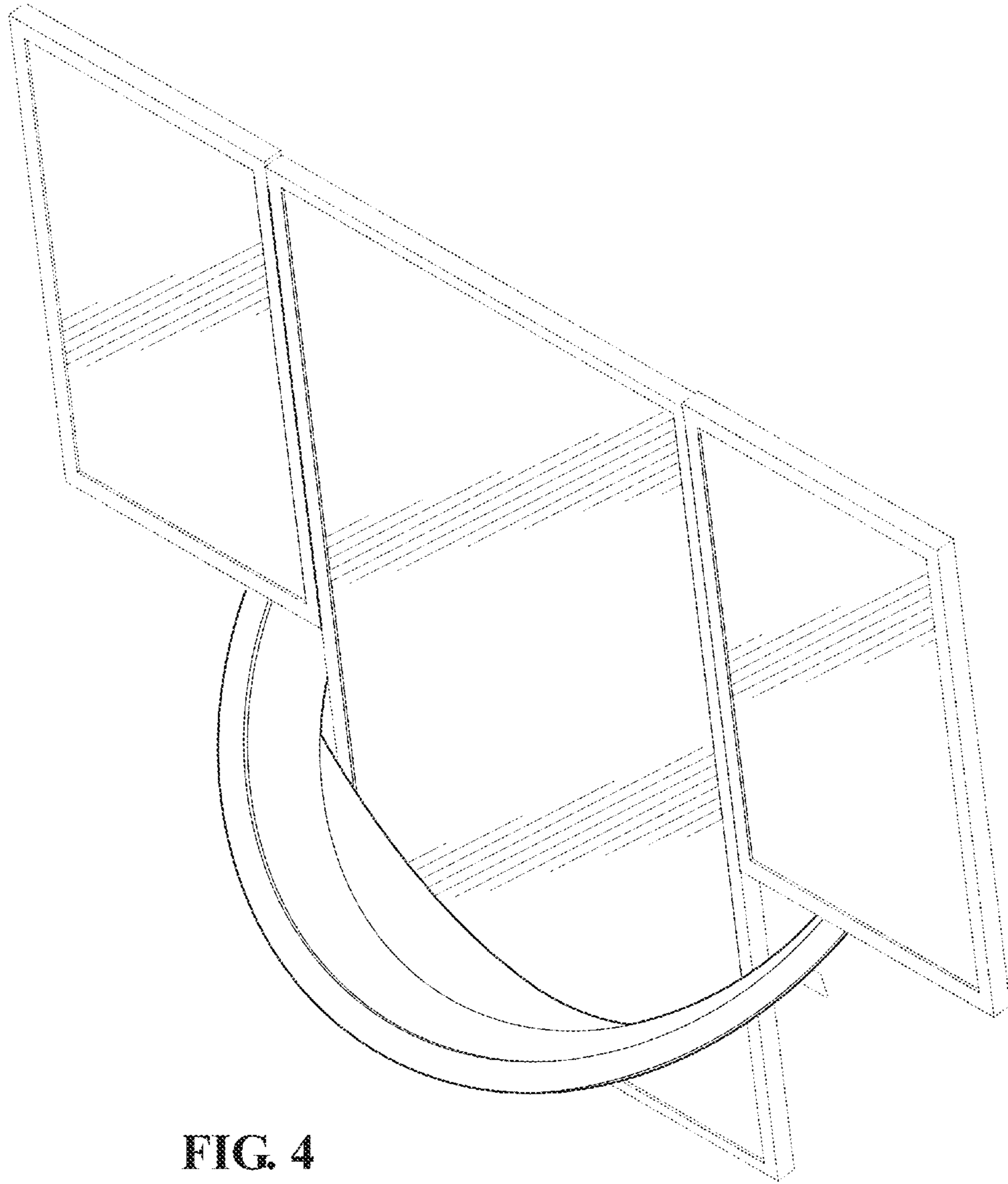


FIG. 4

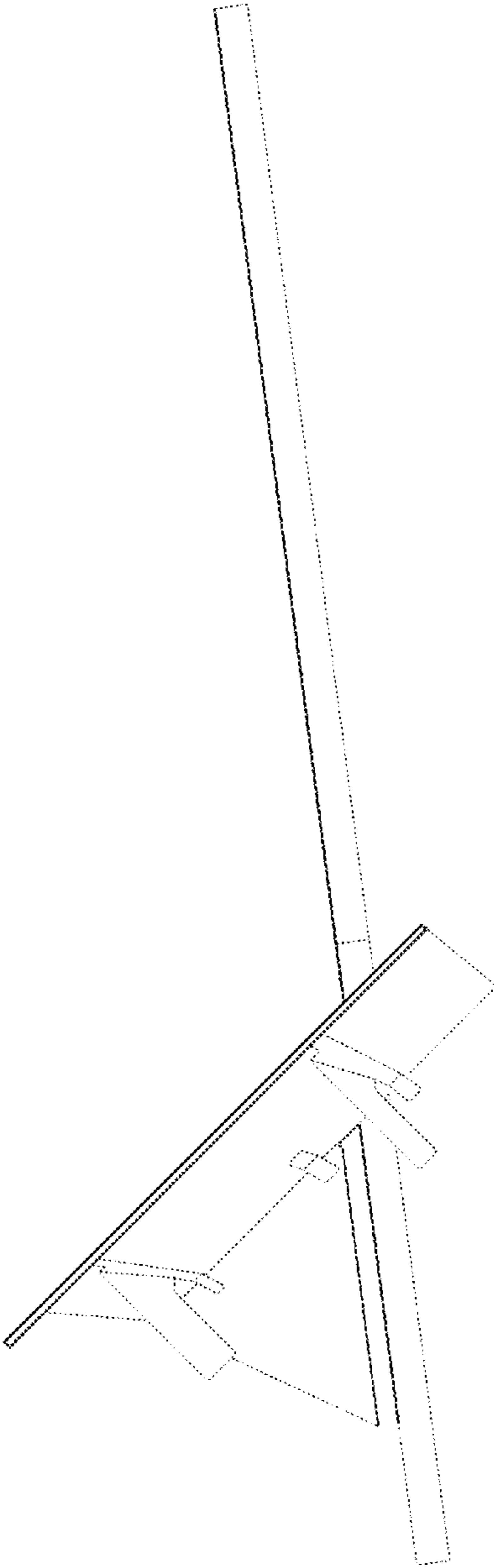


FIG. 5

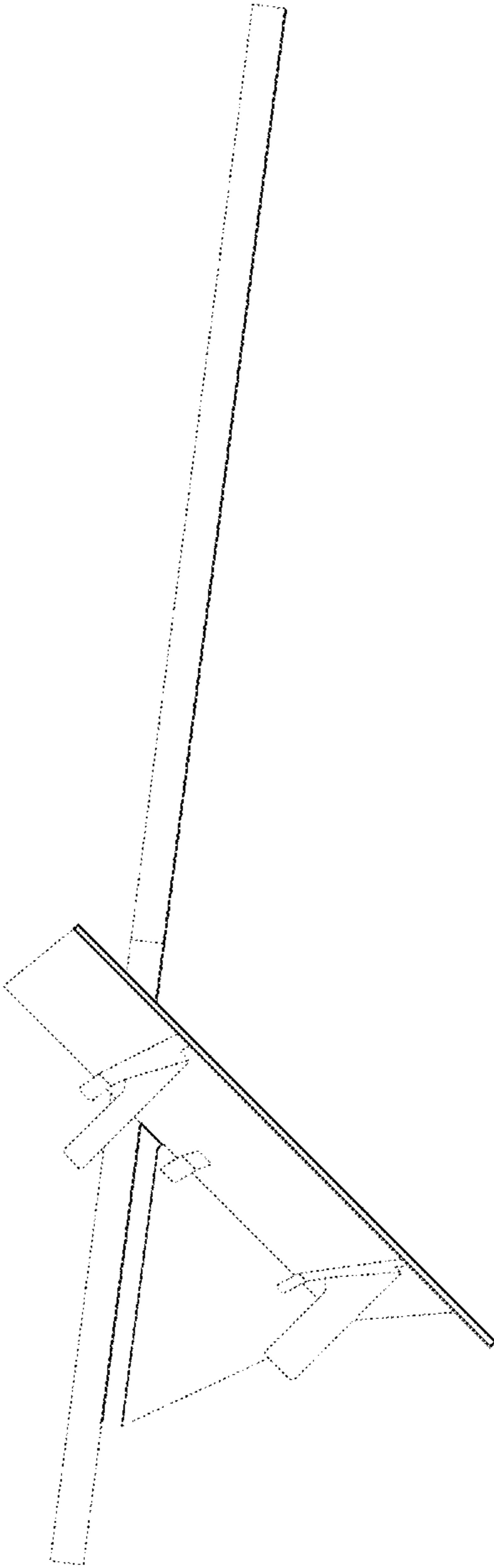


FIG. 6

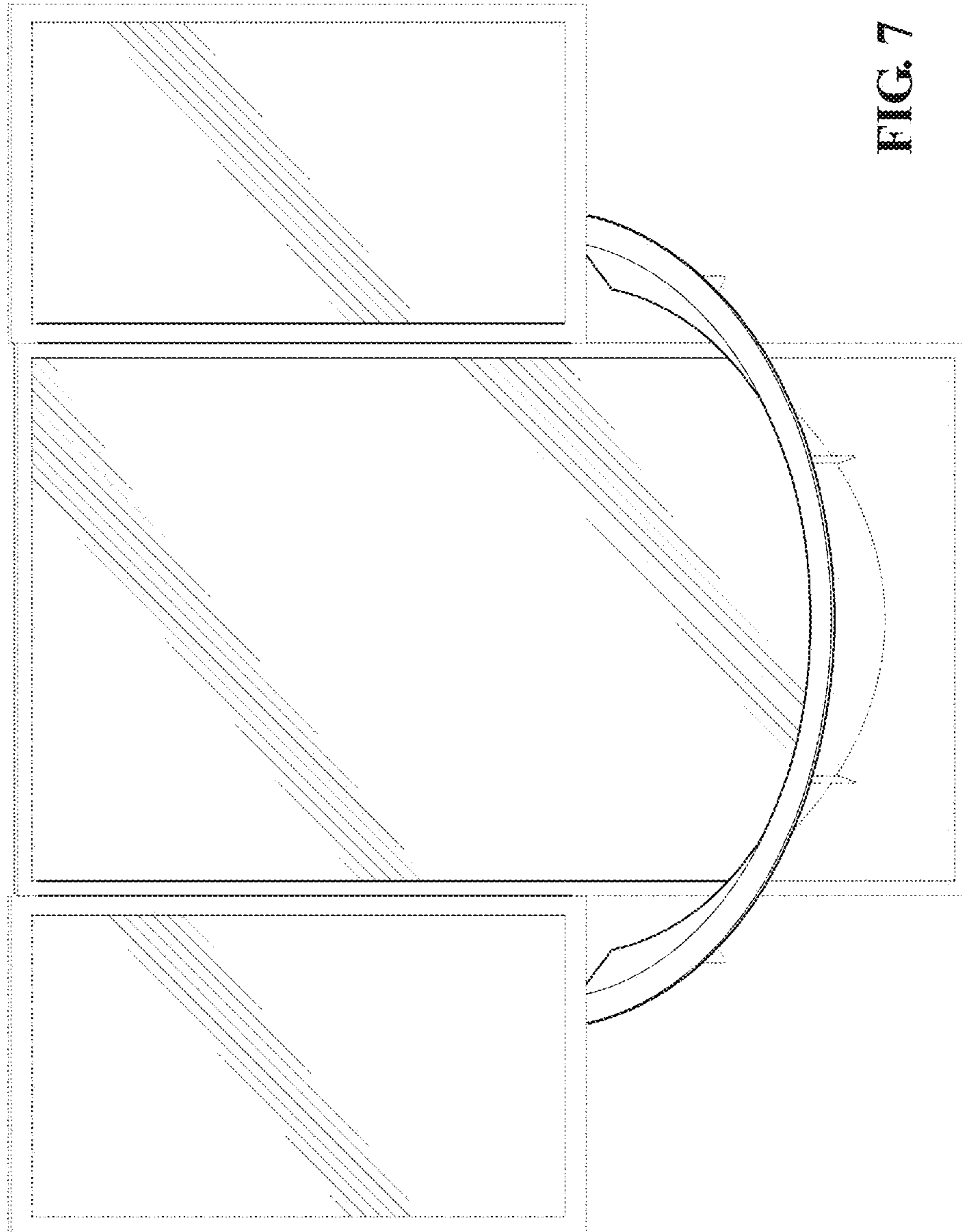


FIG. 7

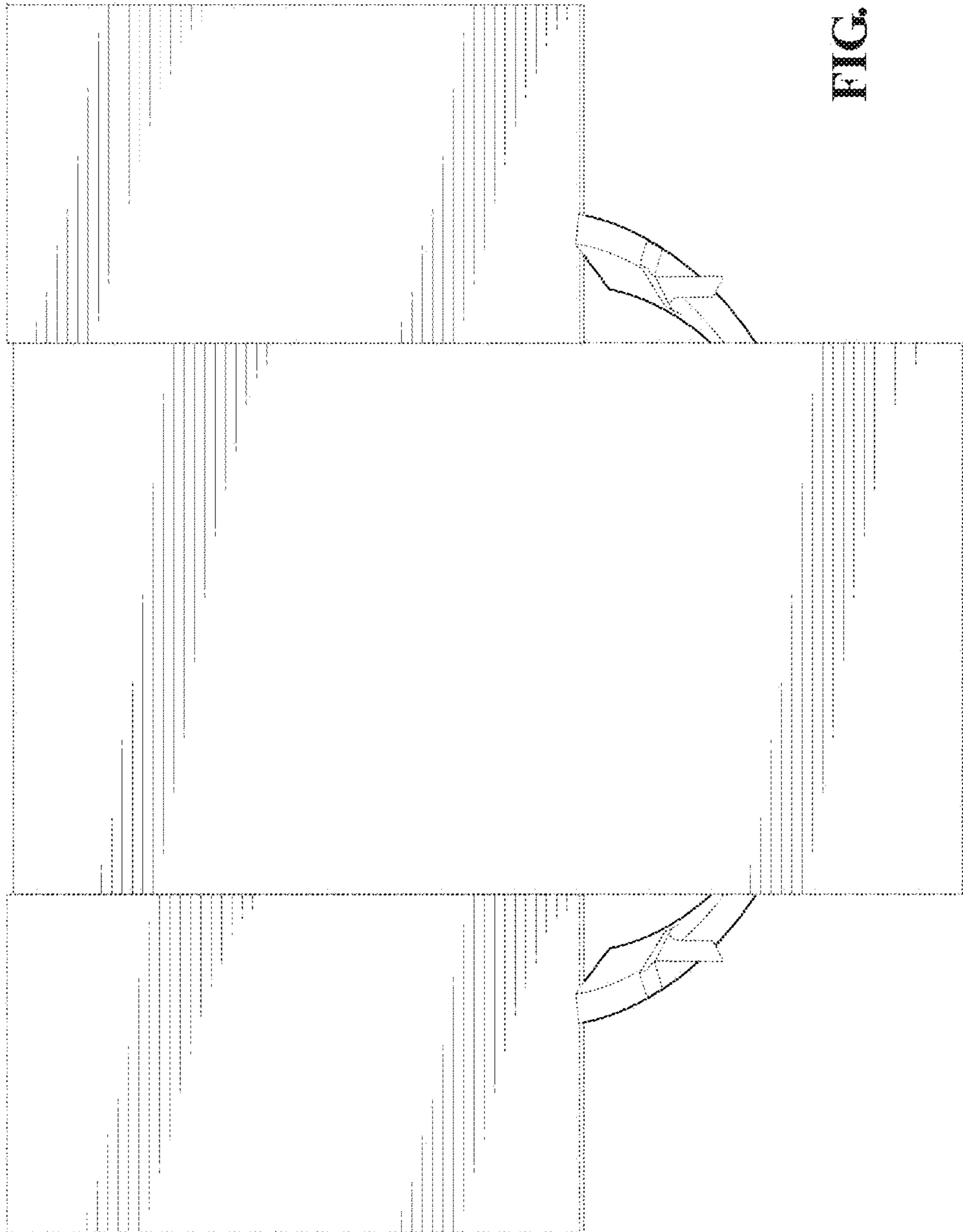


FIG. 8