



US00D705353S

(12) **United States Design Patent**
Sasaya et al.

(10) **Patent No.:** **US D705,353 S**
(45) **Date of Patent:** **** May 20, 2014**

(54) **COATING FILM TRANSFER TOOL**

D577,771 S * 9/2008 Kouda D19/69
D594,904 S * 6/2009 Kai et al. D19/69
D595,774 S * 7/2009 Kouda D19/69

(71) Applicant: **Kokuyo S&T Co., Ltd.**, Osaka (JP)

(Continued)

(72) Inventors: **Megumi Sasaya**, Osaka (JP); **Keiji Kai**,
Osaka (JP); **Tetsuya Fukui**, Osaka (JP)

FOREIGN PATENT DOCUMENTS

(73) Assignee: **Kokuyo S&T Co., Ltd.**, Osaka (JP)

JP D1123097 10/2001

(**) Term: **14 Years**

Primary Examiner — Austin Murphy

(21) Appl. No.: **29/448,490**

(74) *Attorney, Agent, or Firm* — William J. Kubida; Hogan
Lovells US LLP

(22) Filed: **Mar. 12, 2013**

(57) **CLAIM**

The ornamental design for a coating film transfer tool, as
shown and described.

(30) **Foreign Application Priority Data**

DESCRIPTION

Sep. 13, 2012 (JP) D2012-022229

(51) **LOC (10) Cl.** **19-02**

(52) **U.S. Cl.**
USPC **D19/69**

(58) **Field of Classification Search**
USPC D19/66, 67, 68, 69, 70; 156/523, 257,
156/540, 577; 206/411; 225/6, 25, 39, 77;
242/588, 588.1, 588.2, 588.3, 588.6, 5
See application file for complete search history.

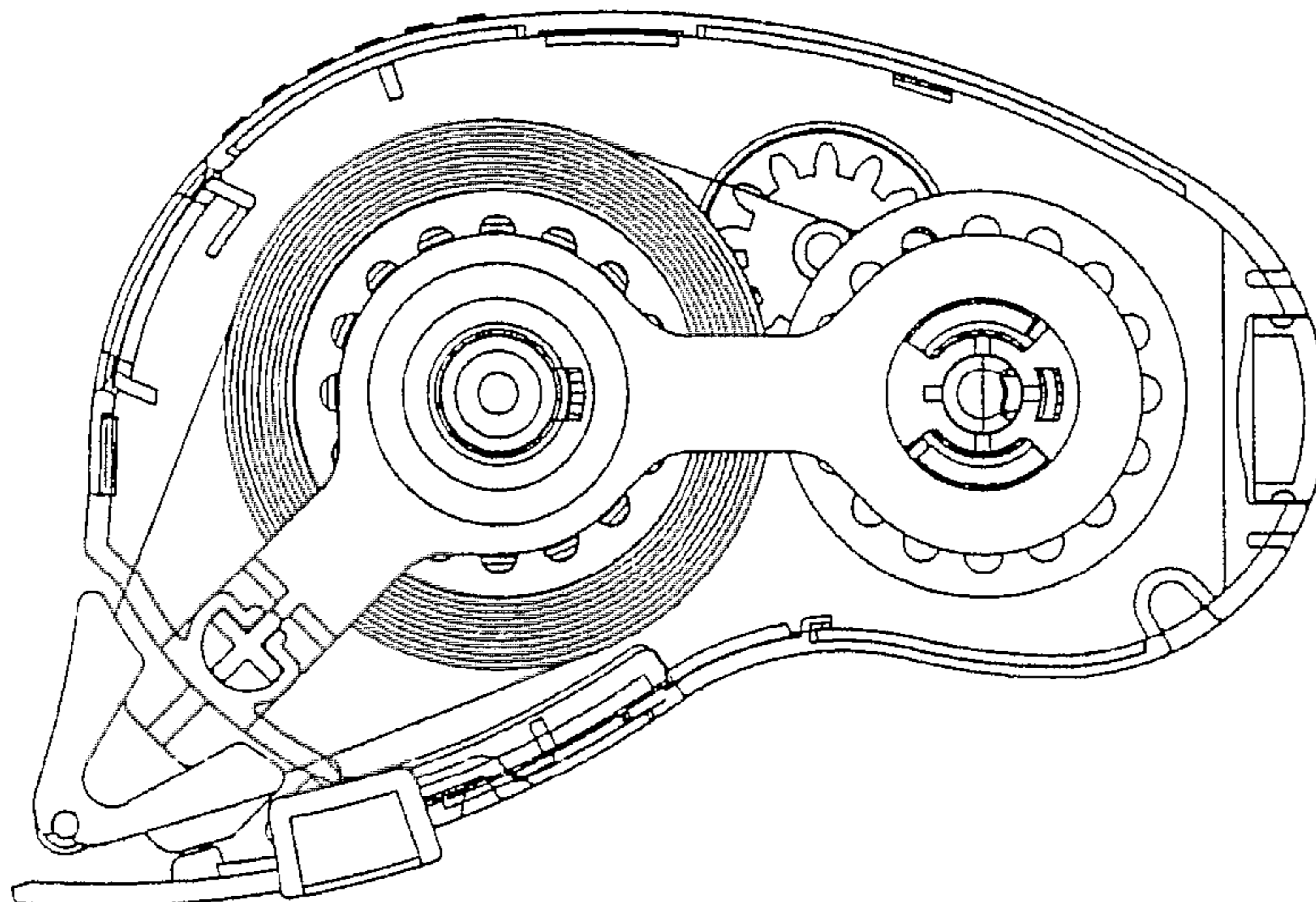
FIG. 1 is a perspective view of the transfer tool;
FIG. 2 is a front elevational view of the transfer tool;
FIG. 3 is a rear elevational view of the transfer tool;
FIG. 4 is a top plan view of the transfer tool;
FIG. 5 is a bottom plan view of the transfer tool;
FIG. 6 is a left side elevational view of the transfer tool;
FIG. 7 is a right side elevational view of the transfer tool;
FIG. 8 is a front elevational view of the transfer tool;
FIG. 9 is a cross-sectional view taken along line A-B-C-D of
the transfer tool;
FIG. 10 is a front elevational view with a cap open of the
transfer tool;
FIG. 11 is a front elevational view reduced in size with a cover
open of the transfer tool;
FIG. 12 is a front elevational view showing transparent por-
tion in gray of the transfer tool; and,
FIG. 13 is a cross-sectional view taken along line A-B-C-D
showing transparent portion in gray of the transfer tool.

(56) **References Cited**

U.S. PATENT DOCUMENTS

D436,625 S * 1/2001 Katami D19/69
D456,450 S * 4/2002 Kimura D19/69
D476,035 S * 6/2003 Katami D19/69
D494,221 S * 8/2004 Suzuki D19/69
D527,766 S * 9/2006 Mitsui et al. D19/69
D559,912 S * 1/2008 Kai et al. D19/69
D571,402 S * 6/2008 Kai et al. D19/69
D574,431 S * 8/2008 Kouda D19/69

1 Claim, 13 Drawing Sheets



(56)

References Cited

U.S. PATENT DOCUMENTS

D598,956 S * 8/2009 Matsushita et al. D19/69
7,793,883 B2 * 9/2010 Kinugasa et al. 242/588.6
D645,513 S * 9/2011 Mitsui et al. D19/69

D651,650 S * 1/2012 Kishimoto et al. D19/69
D661,739 S * 6/2012 Kishimoto et al. D19/69
2005/0155717 A1 * 7/2005 Mitsui et al. 156/577
2010/0116440 A1 * 5/2010 Kai et al. 156/577

* cited by examiner

Fig.1

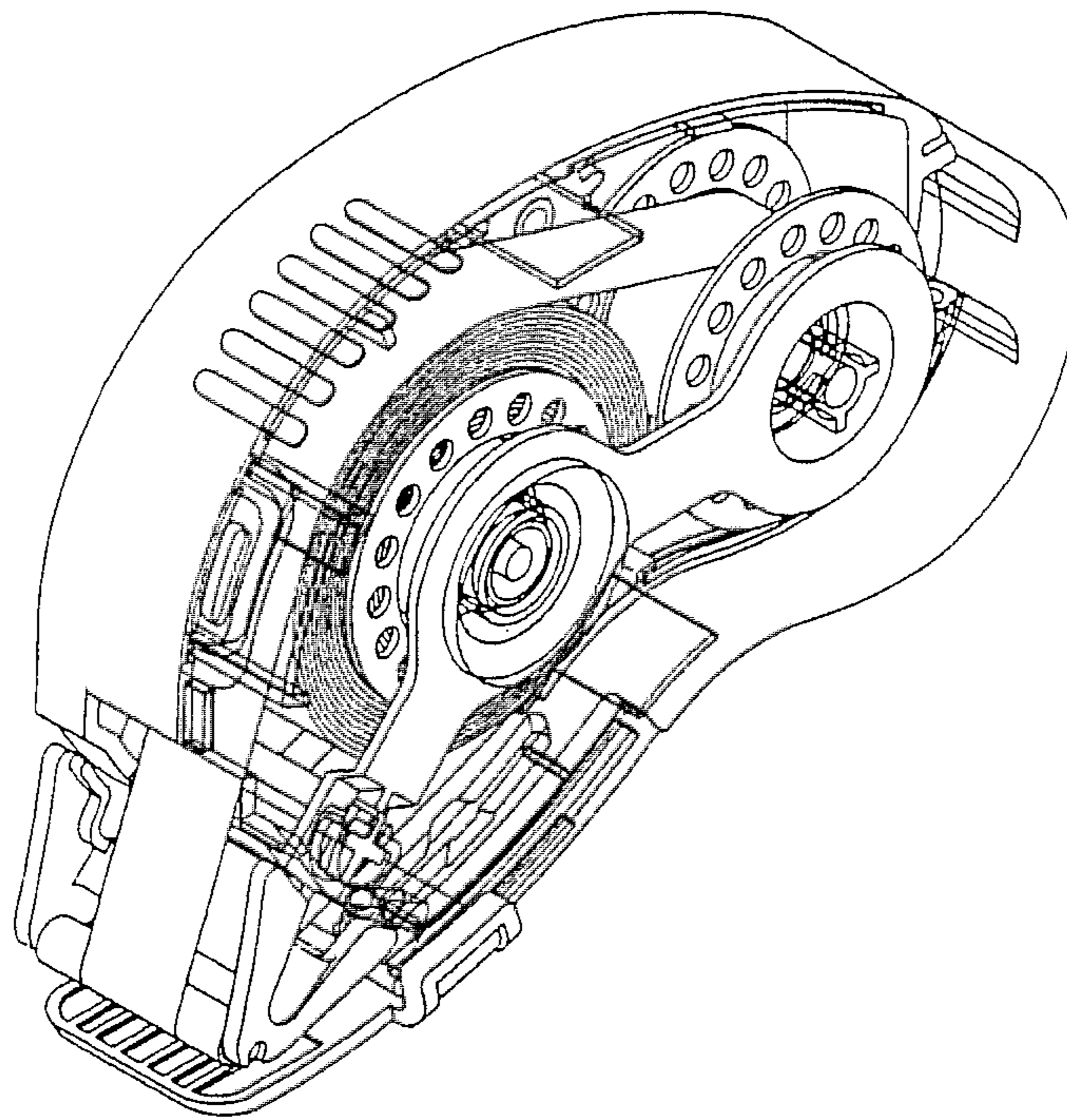


Fig.2

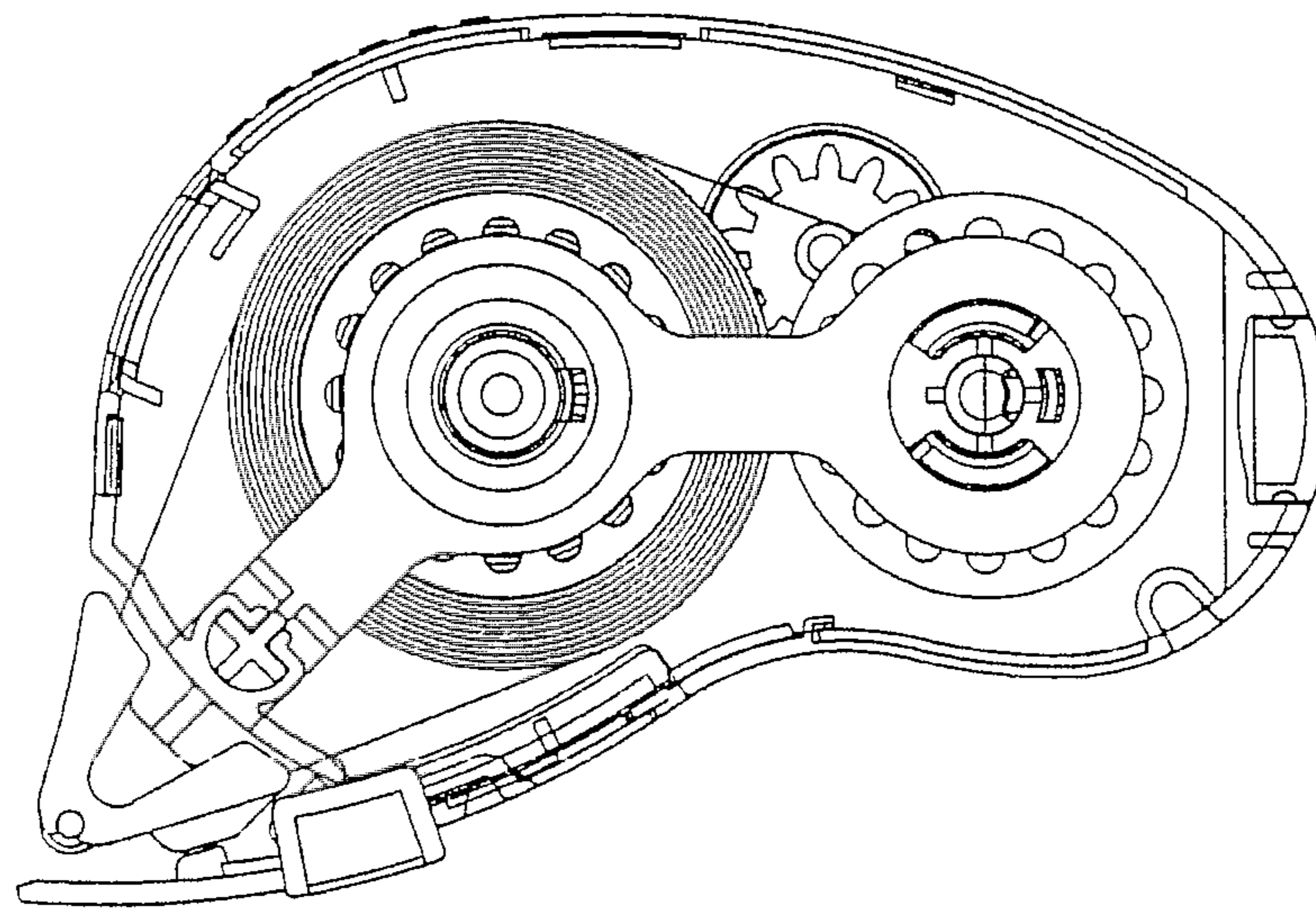


Fig.3

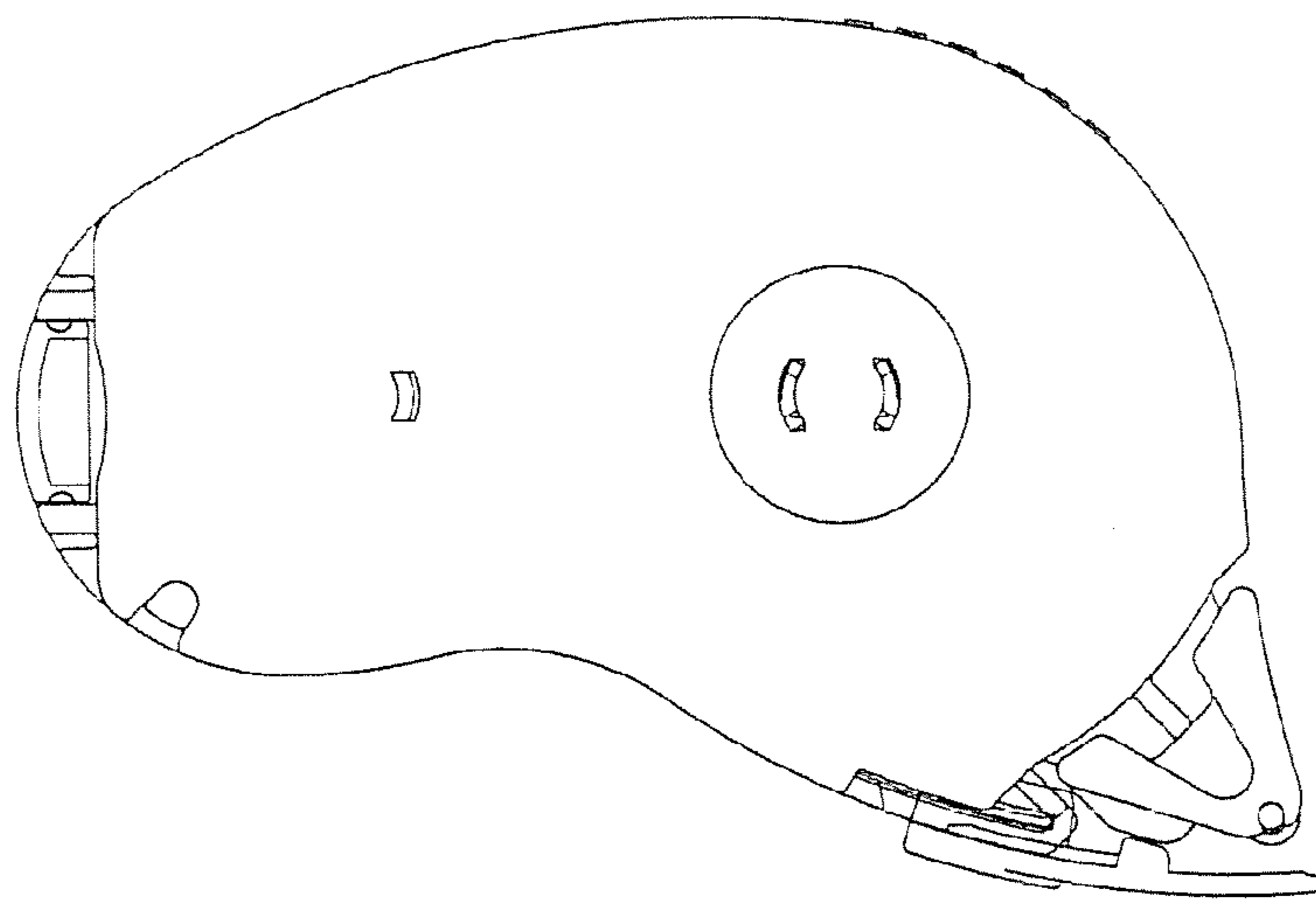


Fig.4

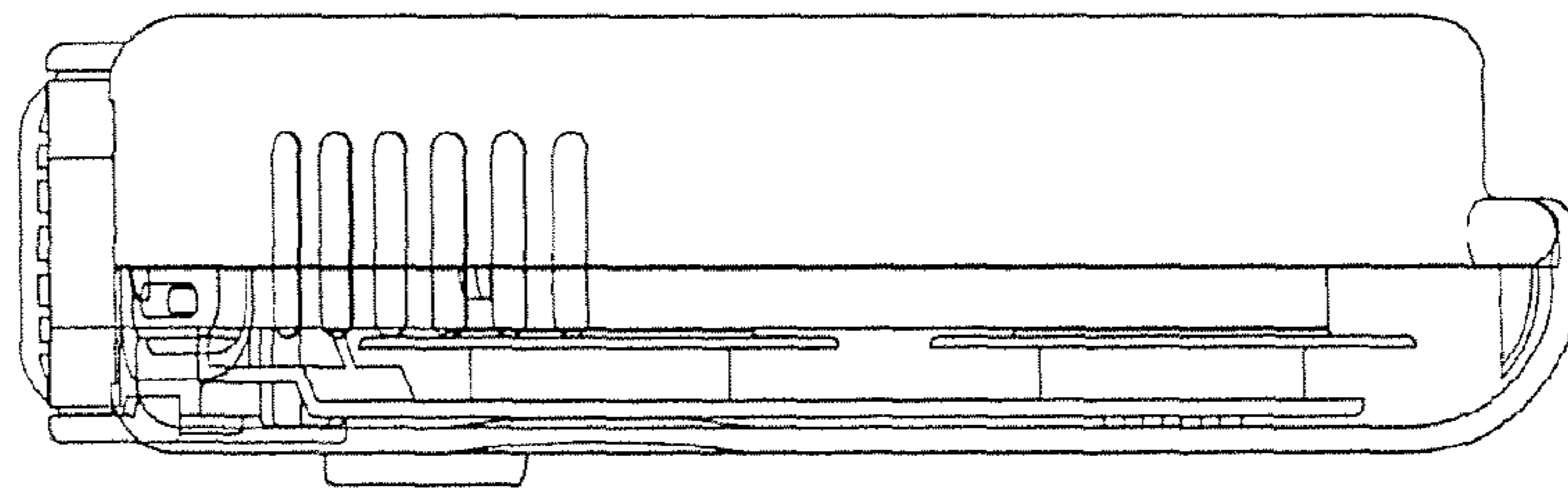


Fig.5

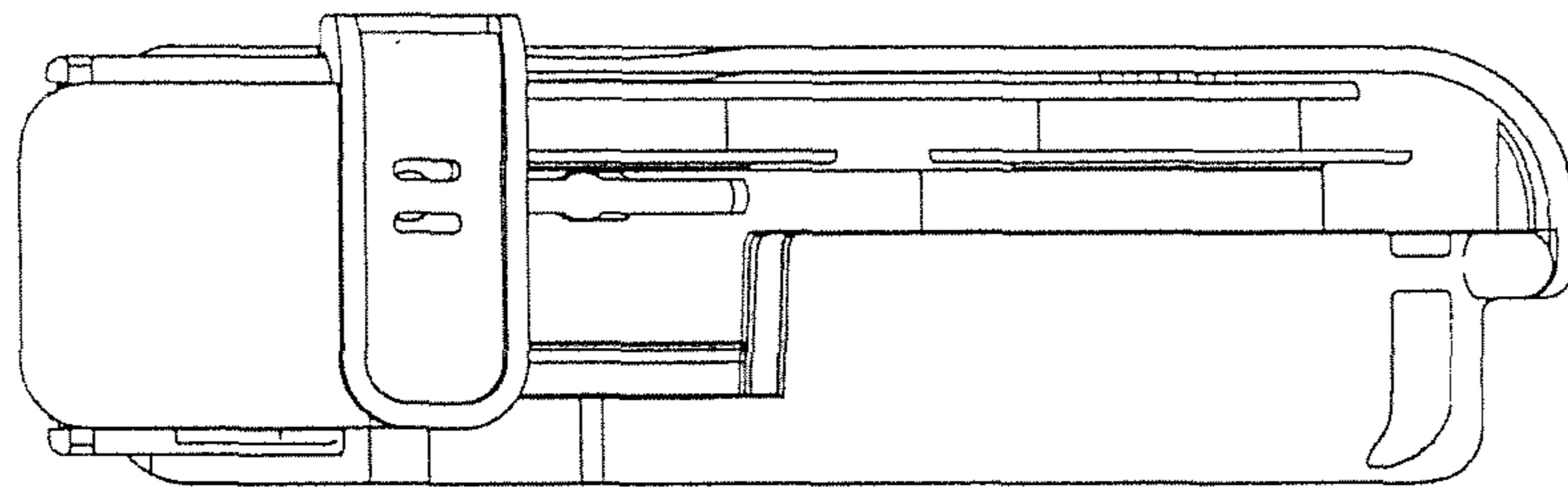


Fig.6

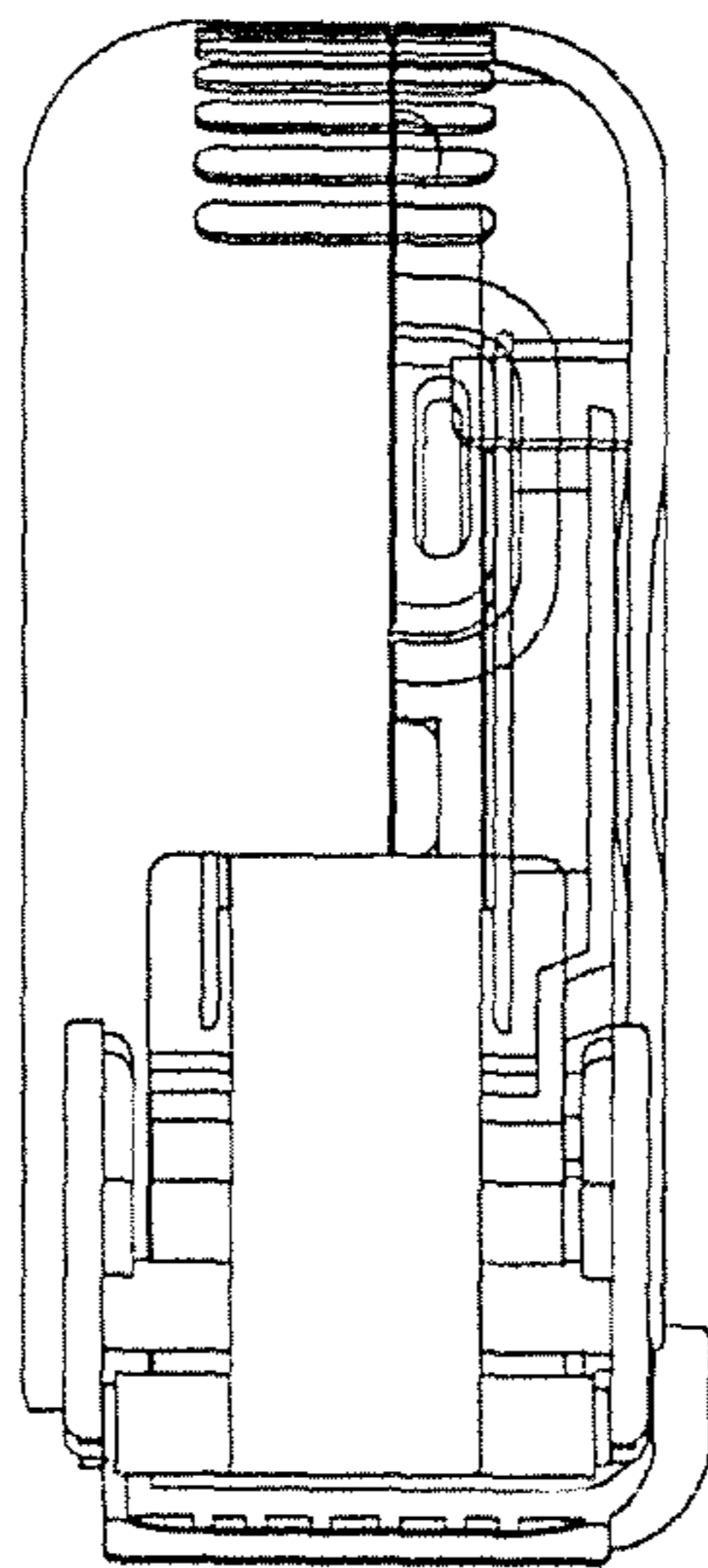


Fig.7

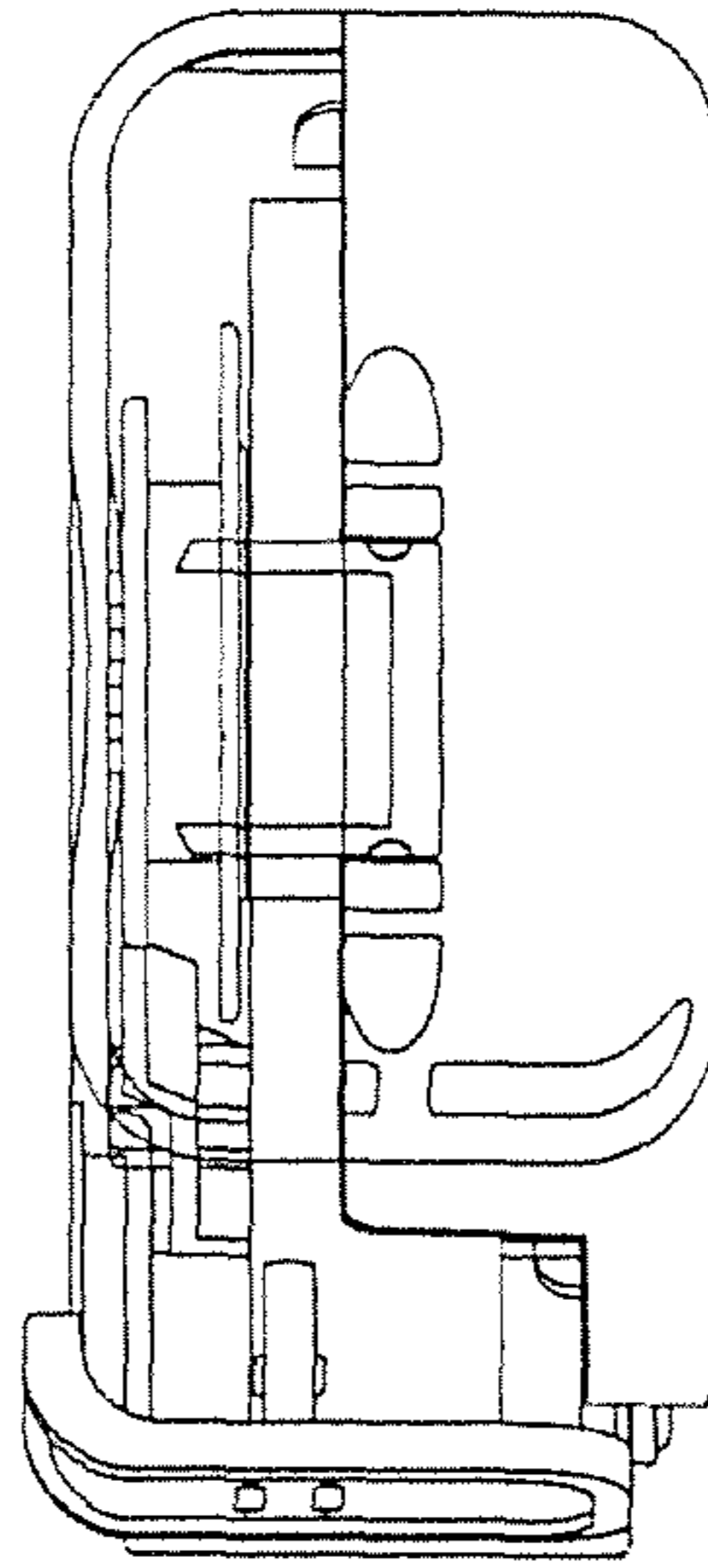


Fig.8

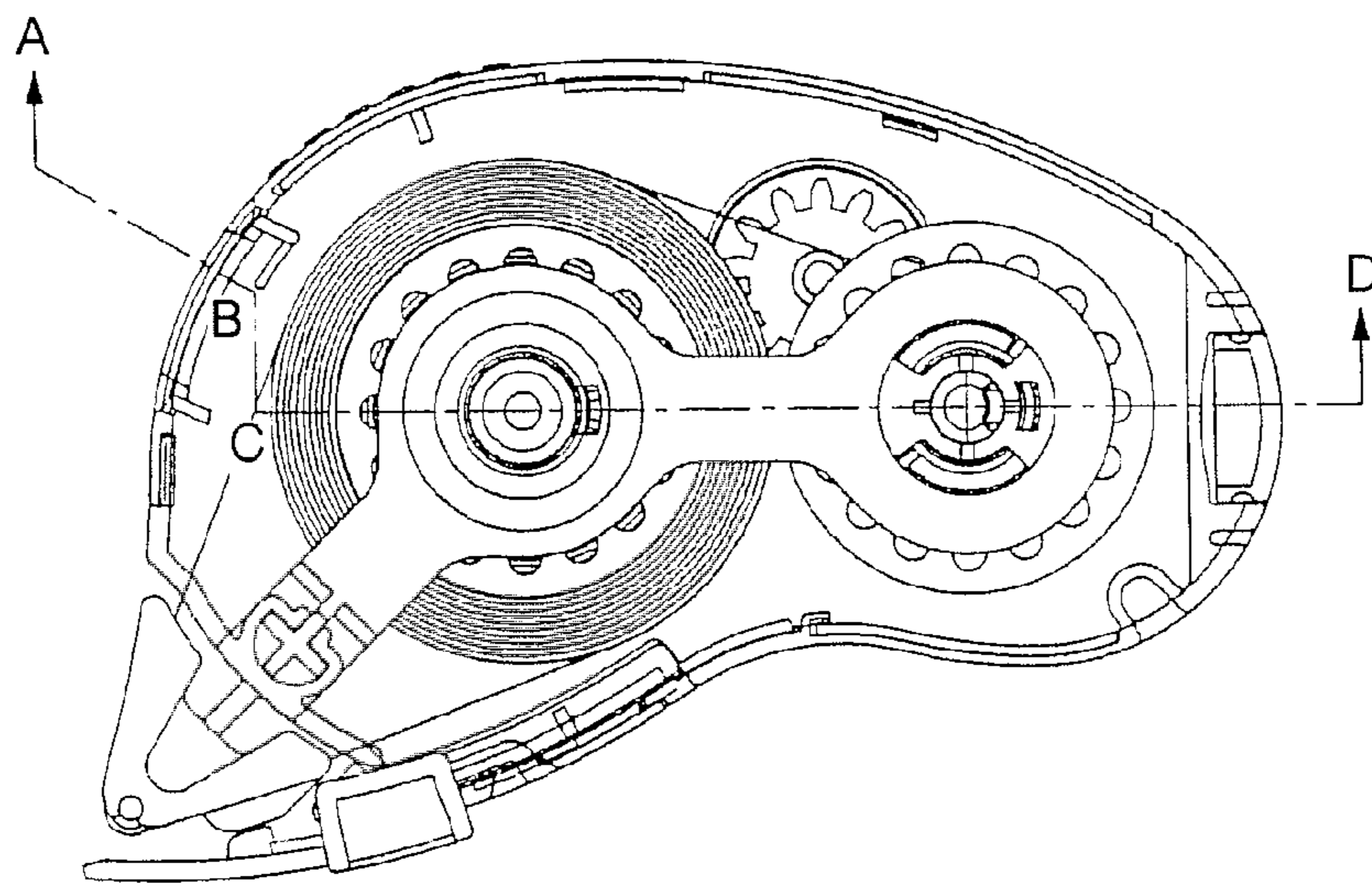


Fig.9

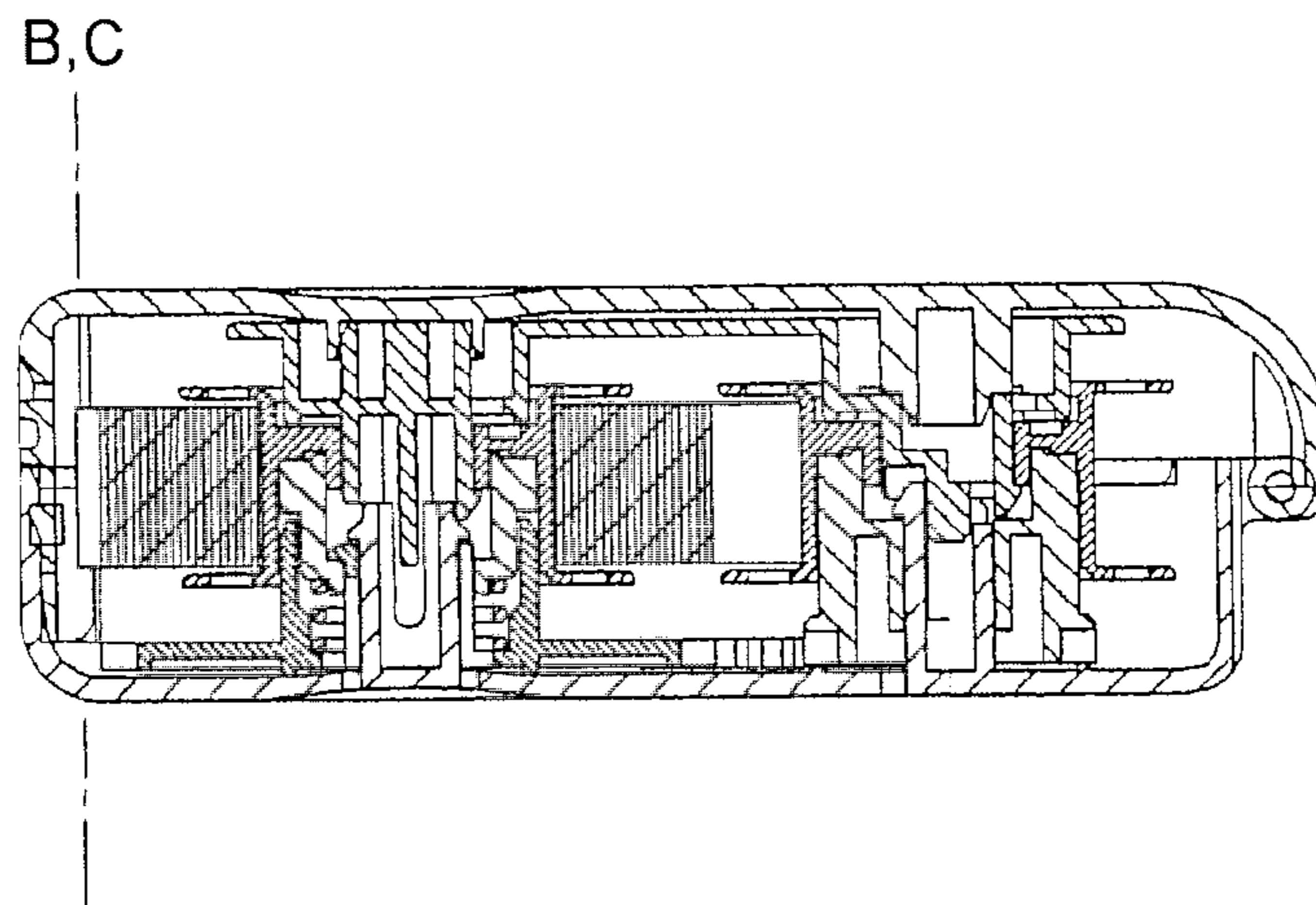


Fig.10

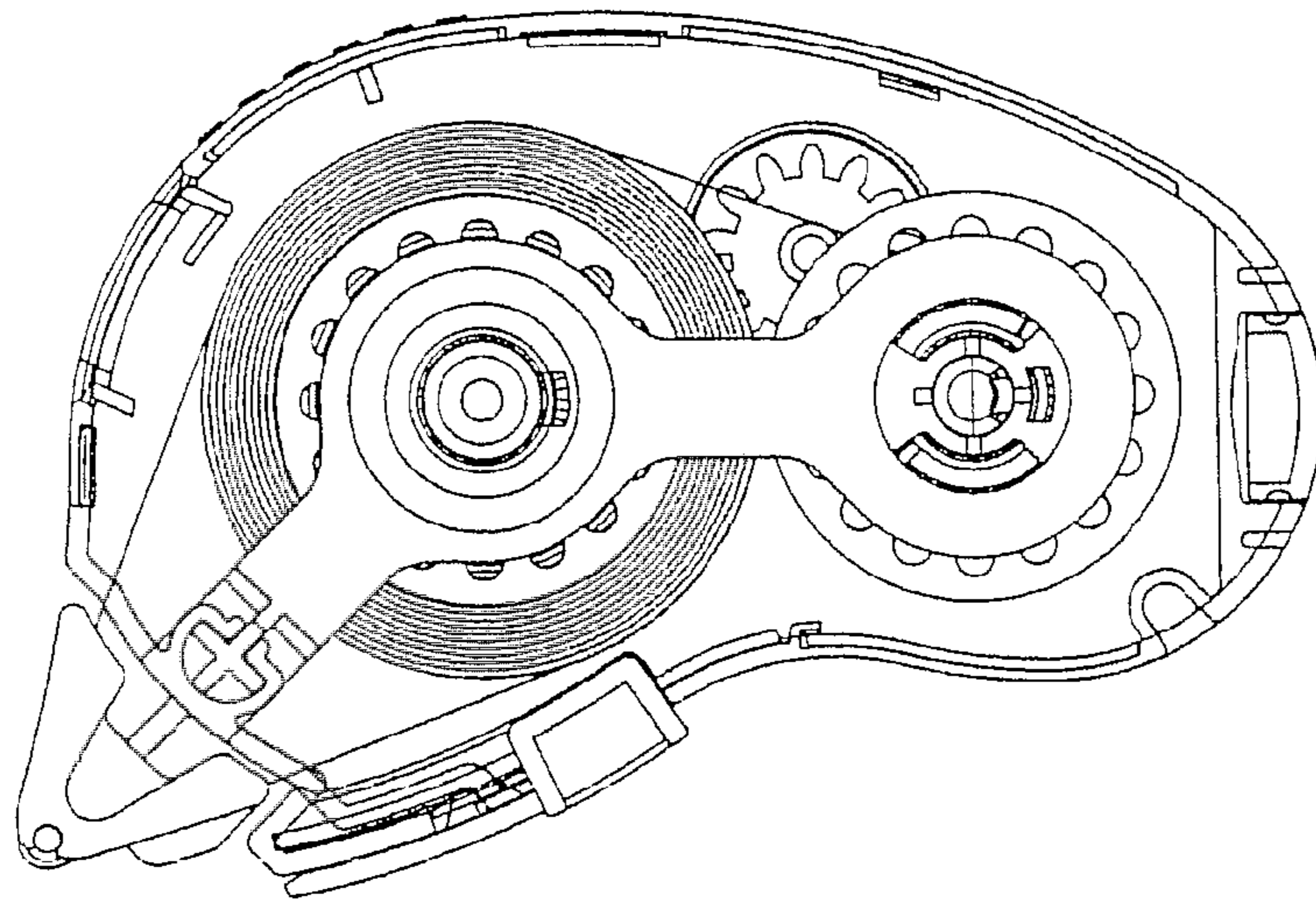


Fig.11

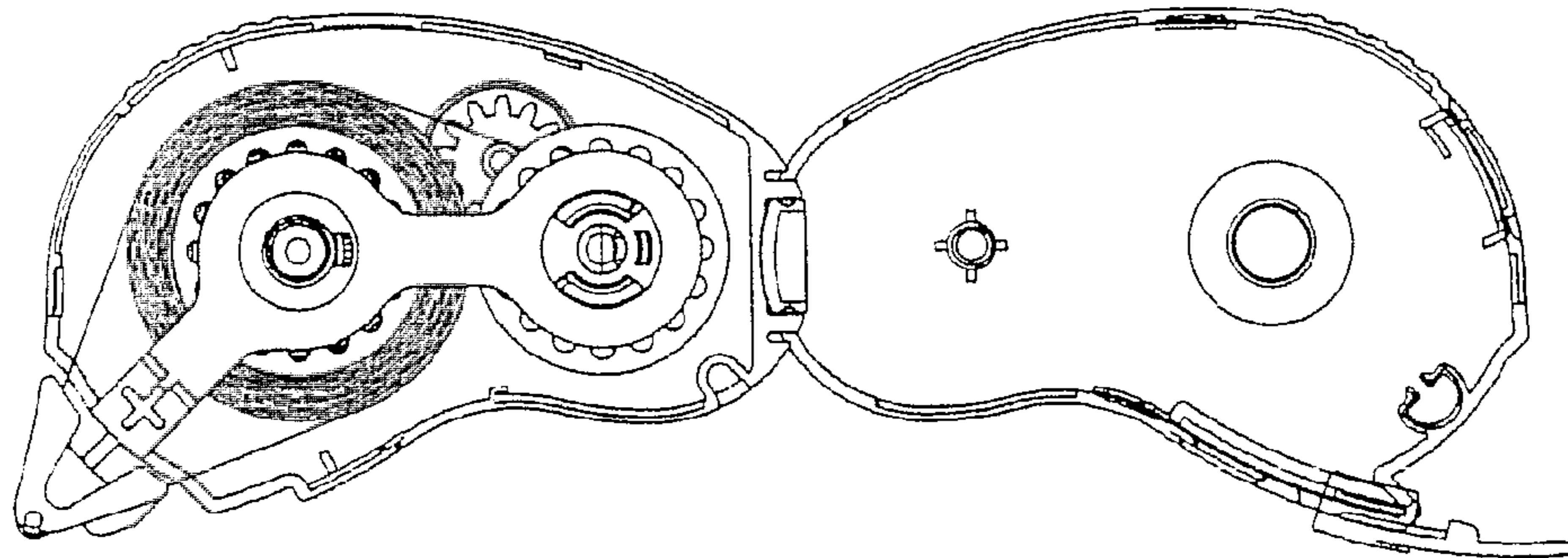


Fig.12

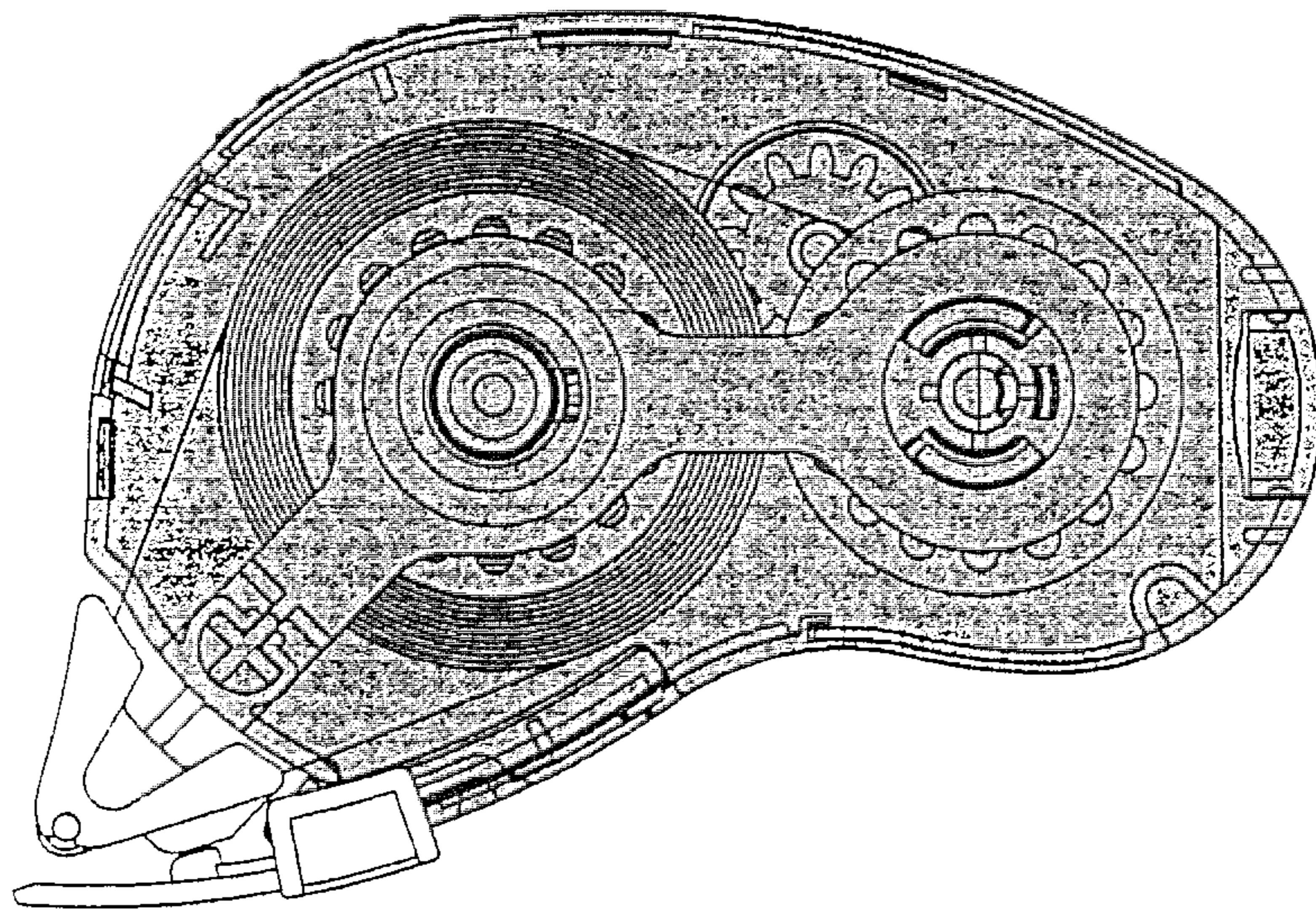


Fig. 13

