



US00D705346S

(12) **United States Design Patent**  
**Blacken et al.**

(10) **Patent No.:** **US D705,346 S**

(45) **Date of Patent:** **\*\* May 20, 2014**

(54) **HAND HELD PRINTER**

(71) Applicant: **Sanford, L.P.**, Oak Brook, IL (US)

(72) Inventors: **Lars Eric Blacken**, Roswell, GA (US);  
**Todd James Huthmaker**, Alpharetta, GA (US);  
**Stefaan Van Den Broecke**, Ghent (BE)

(73) Assignee: **Sanford, L.P.**, Oak Brook, IL (US)

(\*\*) Term: **14 Years**

(21) Appl. No.: **29/438,252**

(22) Filed: **Nov. 28, 2012**

(51) **LOC (10) Cl.** ..... **18-02**

(52) **U.S. Cl.**  
USPC ..... **D18/14**

(58) **Field of Classification Search**  
USPC ..... D18/6-7, 14, 19, 52; D14/347, 426;  
D19/68; 101/288; 156/384; 400/56,  
400/62-63

See application file for complete search history.

(56) **References Cited**

U.S. PATENT DOCUMENTS

D289,415 S *	4/1987	Kikuchi et al.	.....	D18/7
D360,890 S	8/1995	Tremlett		
D425,518 S *	5/2000	Simms	.....	D14/347
D439,898 S *	4/2001	Ober et al.	.....	D14/347
D499,758 S *	12/2004	Fries	.....	D18/14
D574,830 S *	8/2008	Tasselli et al.	.....	D14/426
D586,845 S	2/2009	Pradere et al.		
D619,638 S *	7/2010	McConnell et al.	.....	D18/14
D628,198 S *	11/2010	Fitch et al.	.....	D14/347
D631,908 S	2/2011	Thaler et al.		
D631,909 S	2/2011	Blanc et al.		
D632,329 S	2/2011	Thaler et al.		
D634,744 S *	3/2011	Palmer et al.	.....	D14/347

(Continued)

FOREIGN PATENT DOCUMENTS

EM 000152889-0001 3/2004  
EM 000179619-0001 5/2004

(Continued)

OTHER PUBLICATIONS

Brady Worldwide, Inc.; The Material Advantage, Labeling Materials for the TLS2200 System; 1998; pp. 1-16; United States of America.

(Continued)

*Primary Examiner* — Cathy A MacCormac

(57) **CLAIM**

The ornamental design for a “hand held printer,” as shown and described.

**DESCRIPTION**

FIG. 1 is a front and right side perspective view of a hand held printer, showing my new design, according to one embodiment;

FIG. 2 is a back and right side perspective view of the hand held printer shown in FIG. 1;

FIG. 3 is a front elevational view of the hand held printer shown in FIG. 1;

FIG. 4 is a back elevational view of the hand held printer shown in FIG. 1;

FIG. 5 is a right side elevational view of the hand held printer shown in FIG. 1;

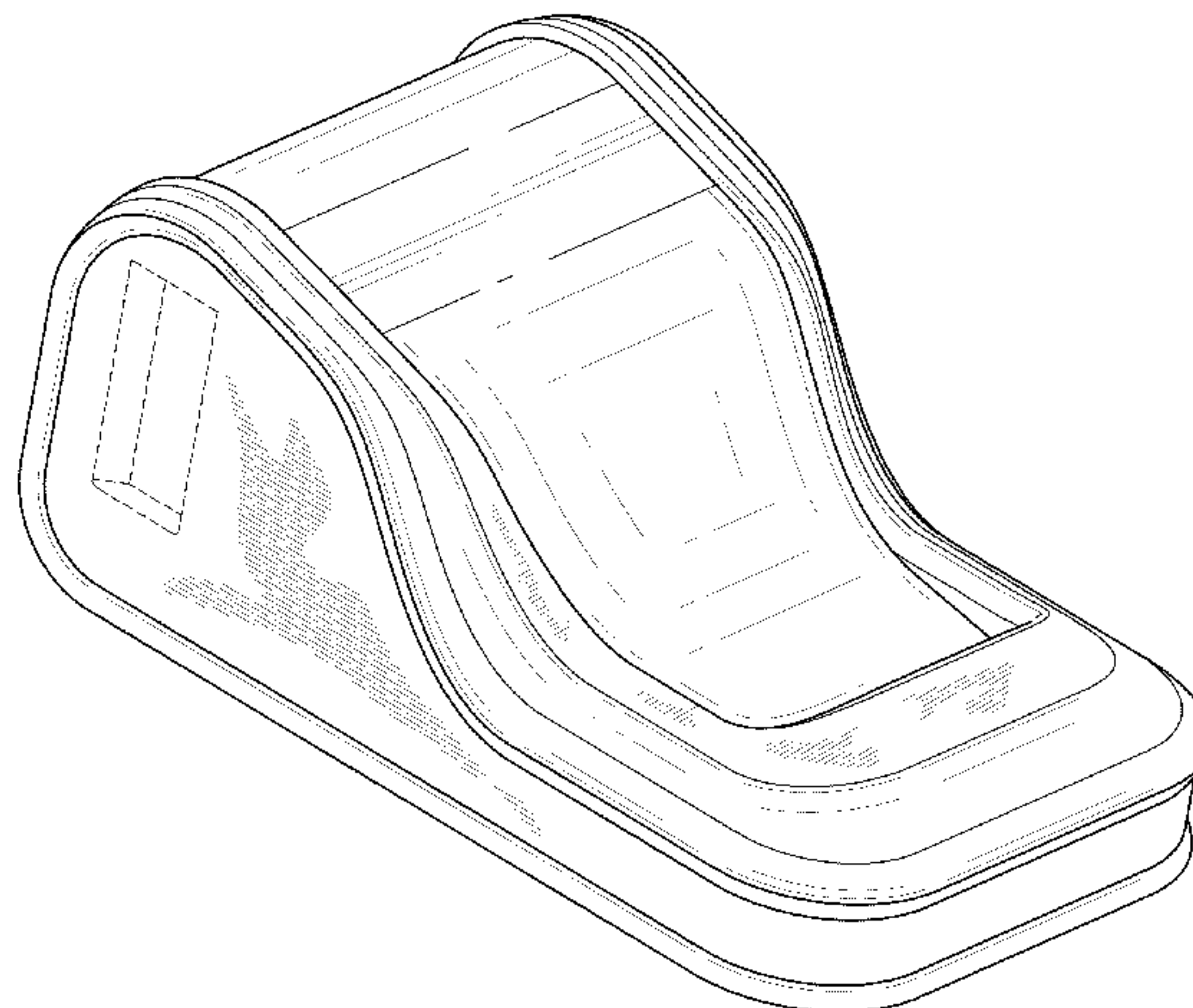
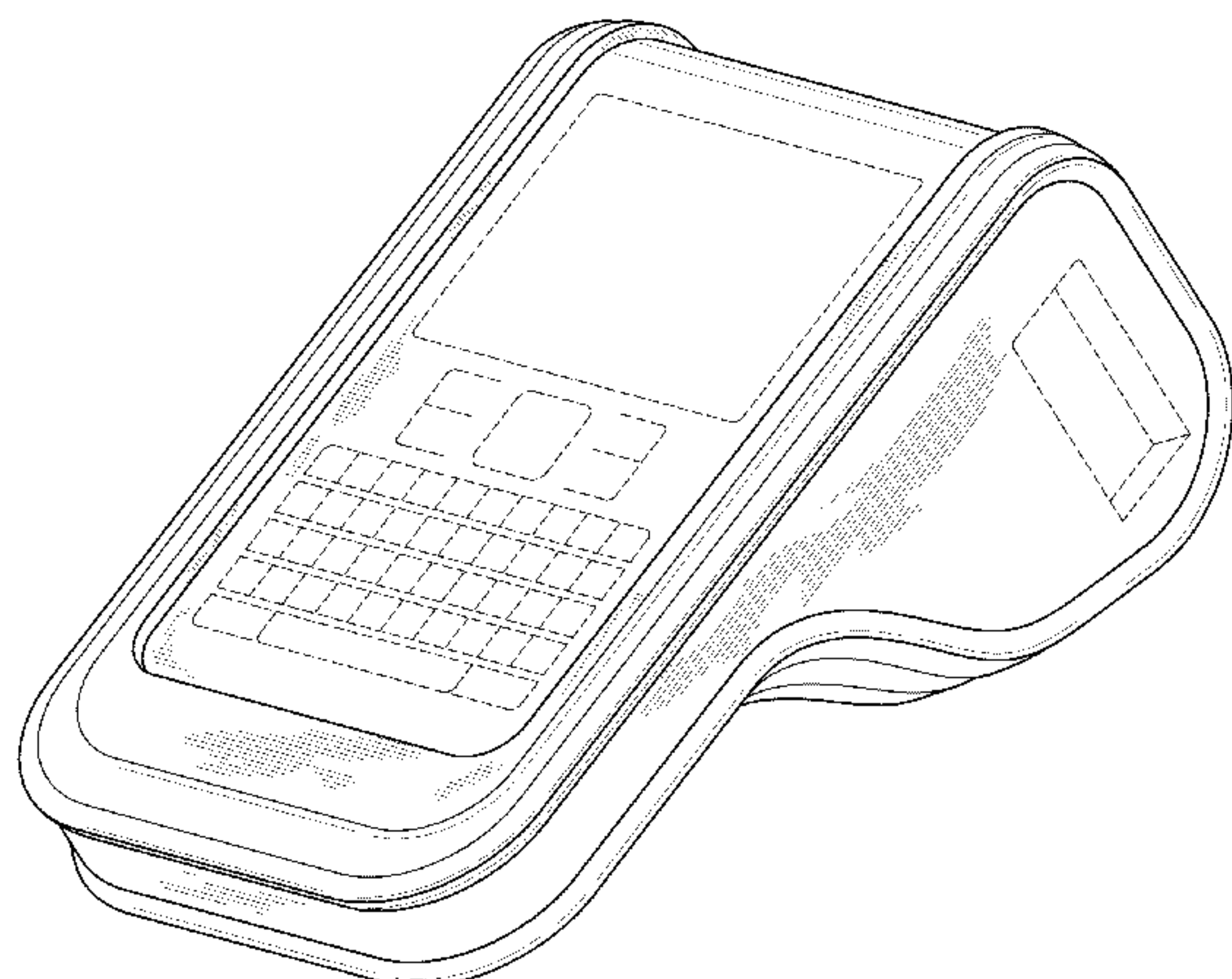
FIG. 6 is a left side elevational view of the hand held printer shown in FIG. 1;

FIG. 7 is a top plan view of the hand held printer shown in FIG. 1; and,

FIG. 8 is a bottom plan view of the hand held printer shown in FIG. 1.

The broken lines are for illustration only and form no part of the claimed design.

**1 Claim, 8 Drawing Sheets**



(56)

References Cited

U.S. PATENT DOCUMENTS

D638,422 S \* 5/2011 Reed et al. .... D14/347  
D643,034 S \* 8/2011 Tasselli et al. .... D14/347  
D643,395 S \* 8/2011 Moss ..... D14/138 AA  
D663,766 S 7/2012 Van Den Broecke et al.  
D664,145 S \* 7/2012 Cullen et al. .... D14/426  
D664,189 S 7/2012 Van Den Broecke et al.  
D667,868 S 9/2012 Huthmaker et al.  
D674,840 S 1/2013 Van Den Broecke et al.  
D675,615 S \* 2/2013 Peel ..... D18/6  
D676,080 S 2/2013 Van Den Broecke et al.  
D677,663 S \* 3/2013 Minafo et al. .... D14/429

FOREIGN PATENT DOCUMENTS

EM 000179619-0002 5/2004  
EM 000251798-0001 11/2004

EM 000251798-0002 11/2004  
EM 000251798-0003 11/2004  
GB 2071649 1/1998

OTHER PUBLICATIONS

Hellermannntyton; LITPD179, Rev. 1, Spirit 2100 Portable Printing System; No date available.; pp. 1-4; United States of America.  
Brady Corporation; BMP71 Label Printer, Quick Start Guide; Nov. 10, 2009; pp. 1-13; United States of America.  
Hellermannntyton GmbH; Kennzeichnungssysteme, Spirit 2100, Fur Mobile und Perfekte Kennzeichnung; Sep. 29, 2003; pp. 1-4, Germany.

\* cited by examiner

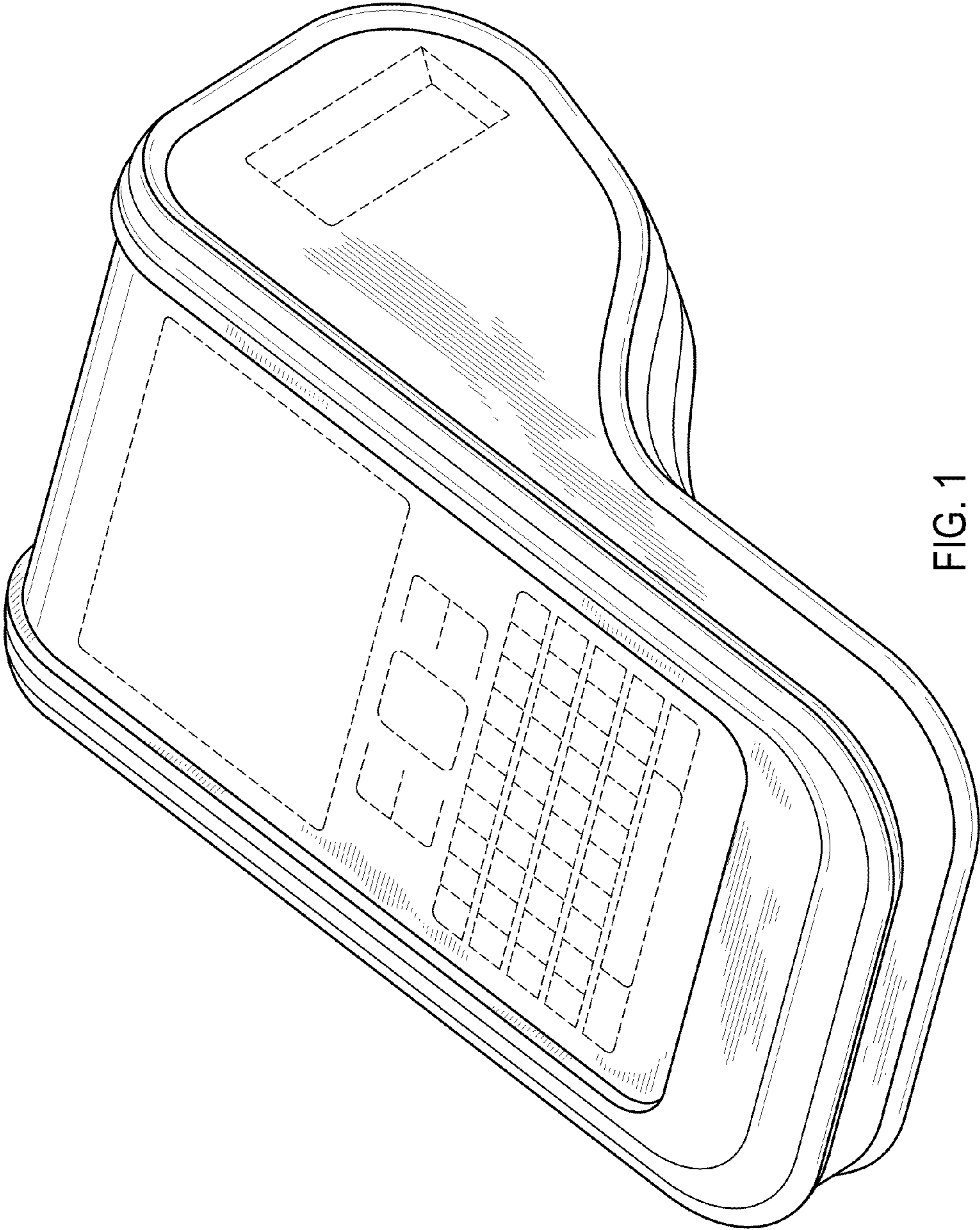


FIG. 1



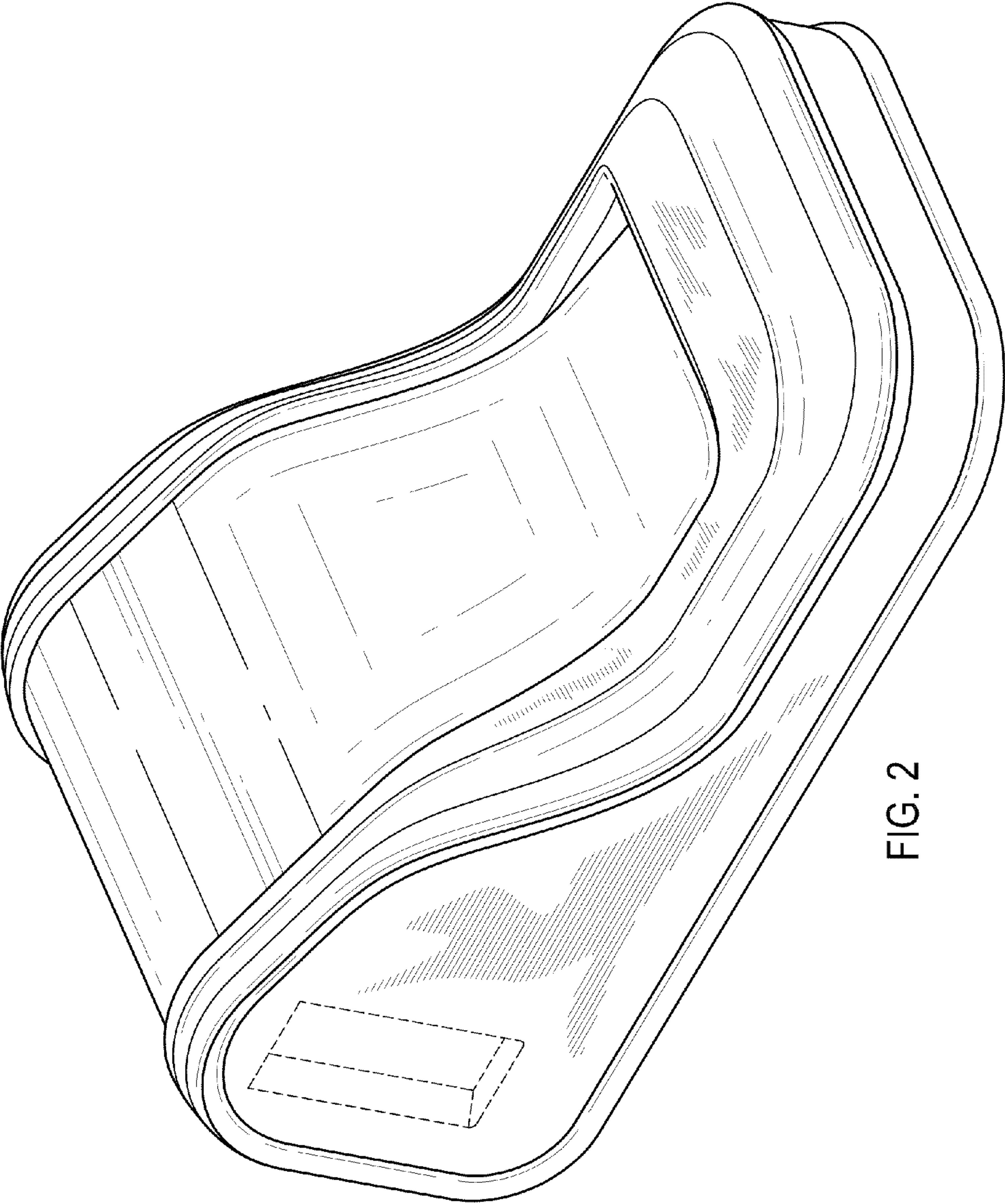


FIG. 2

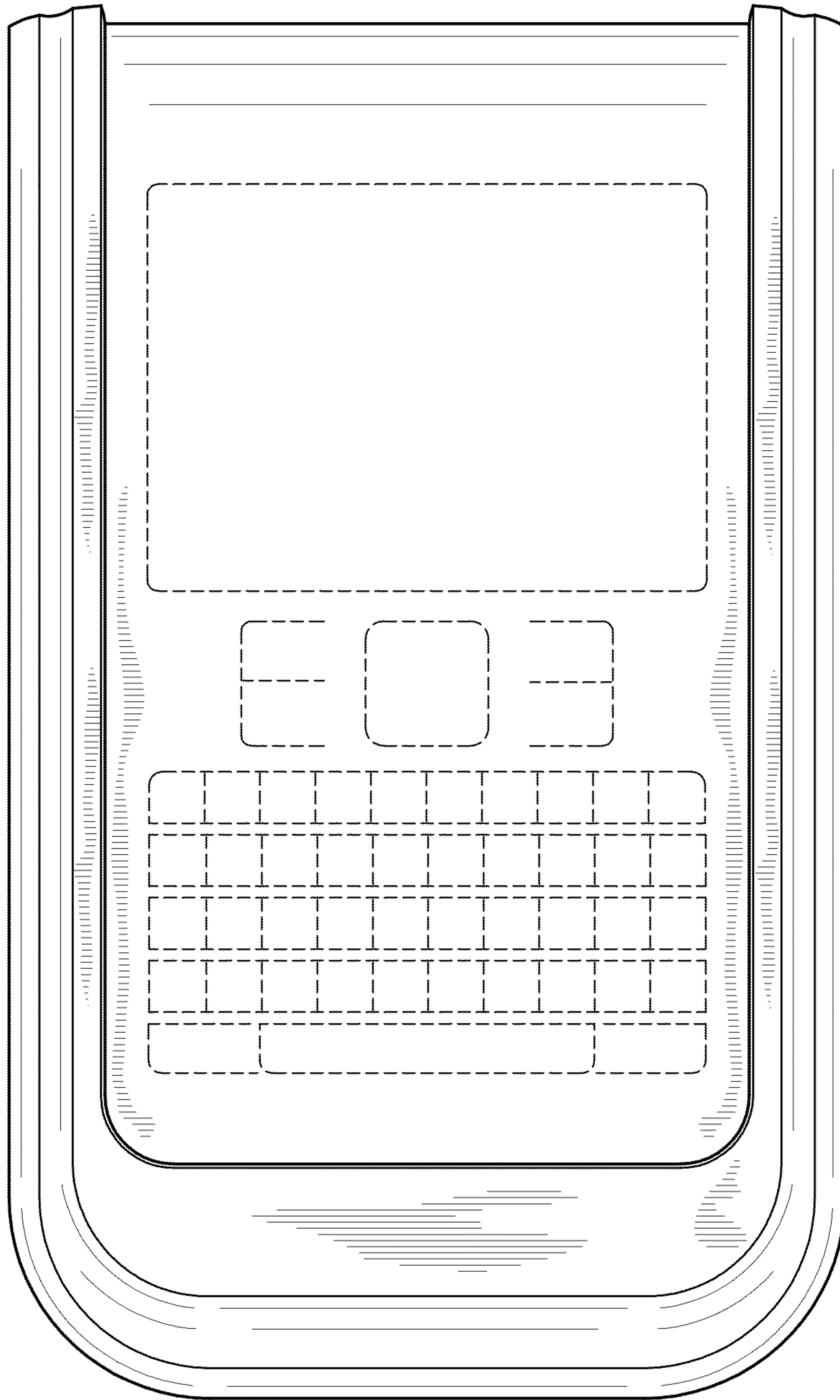


FIG. 3

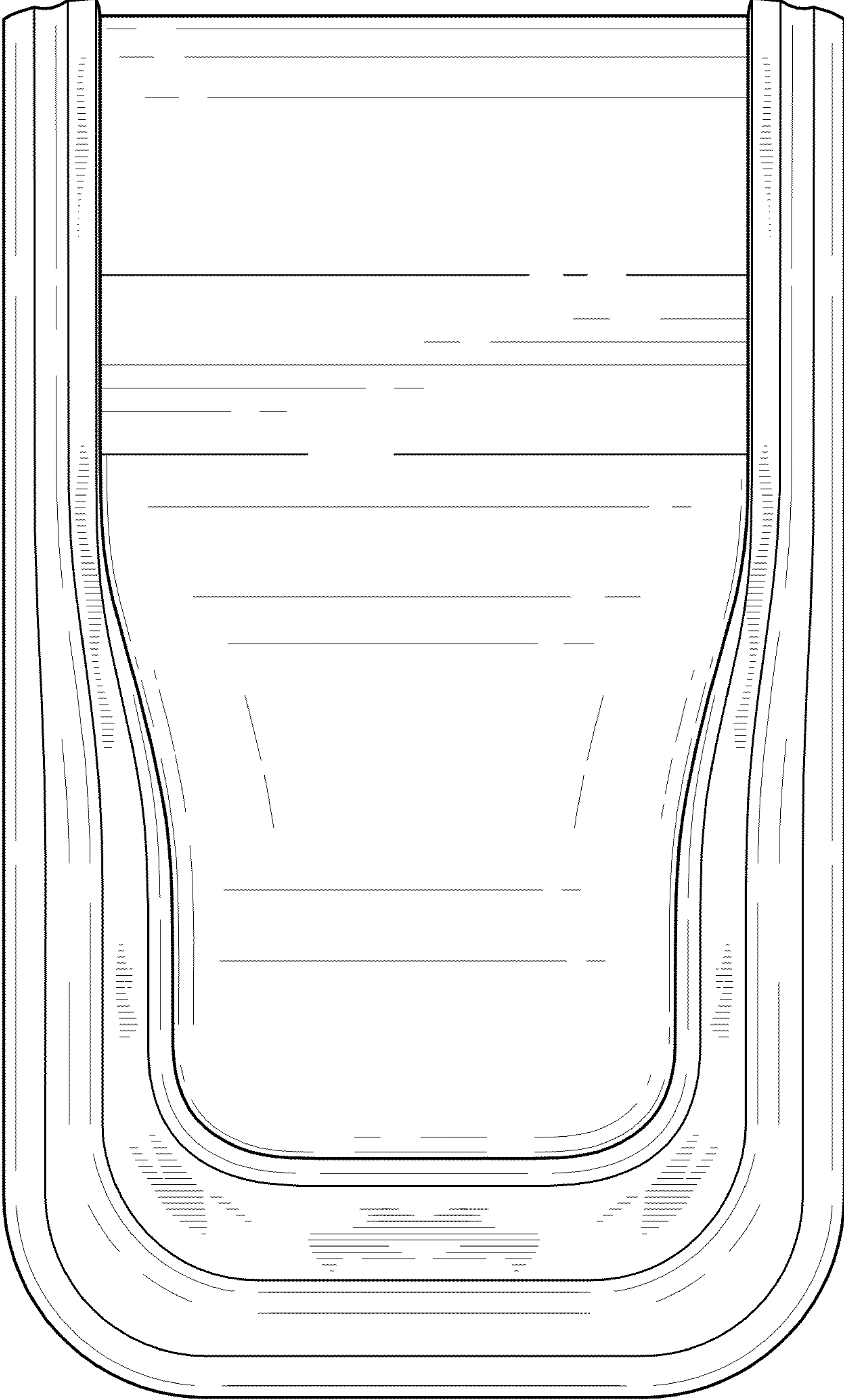


FIG. 4

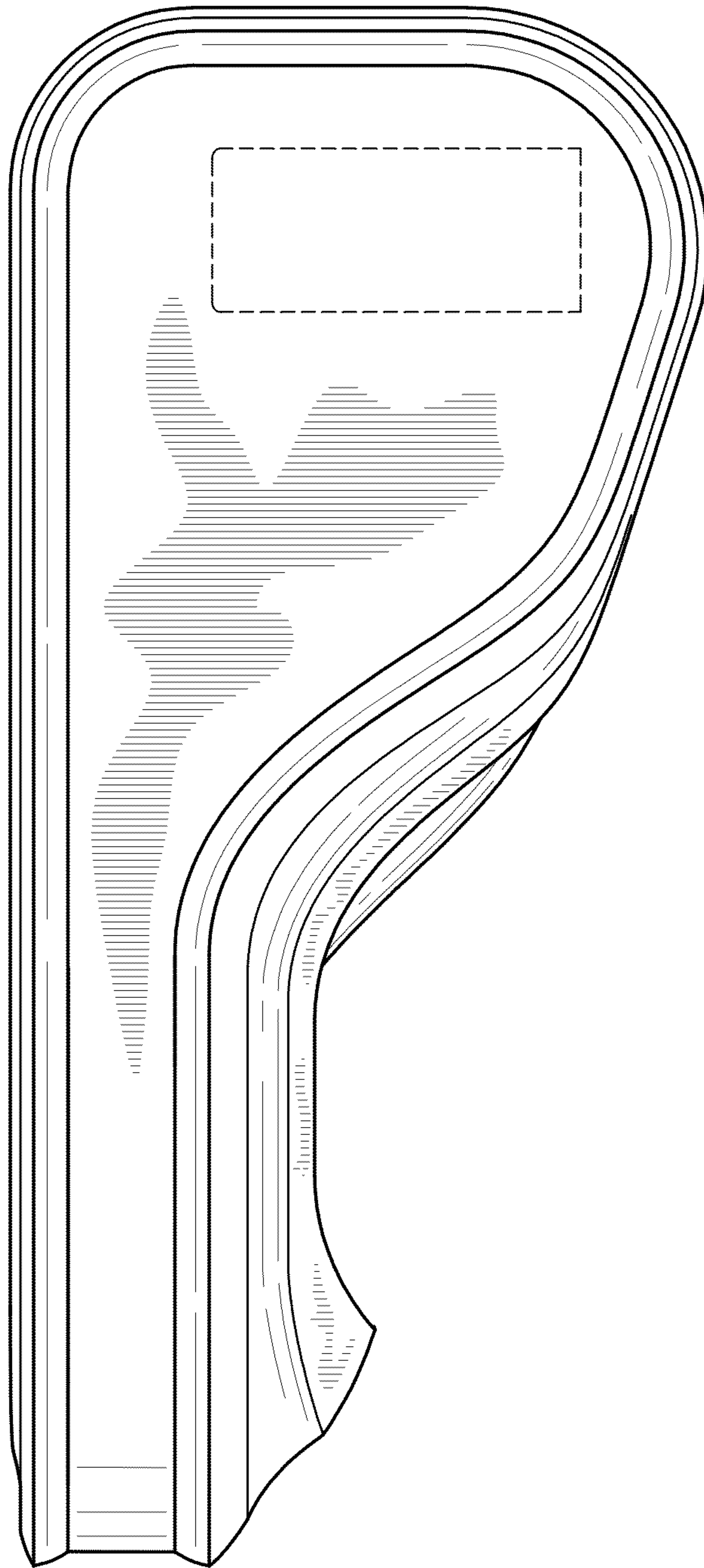


FIG. 5





FIG. 6



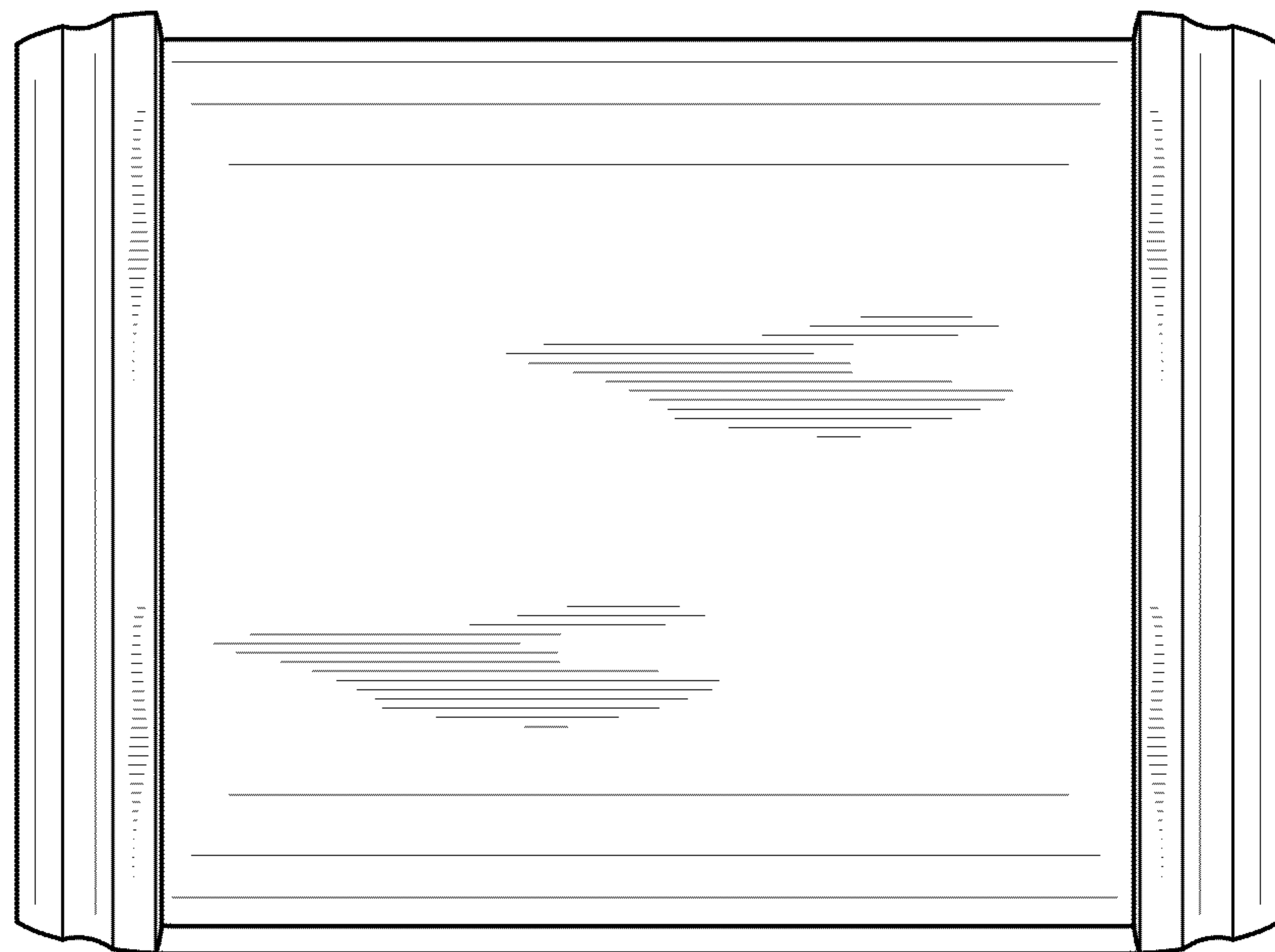


FIG. 7

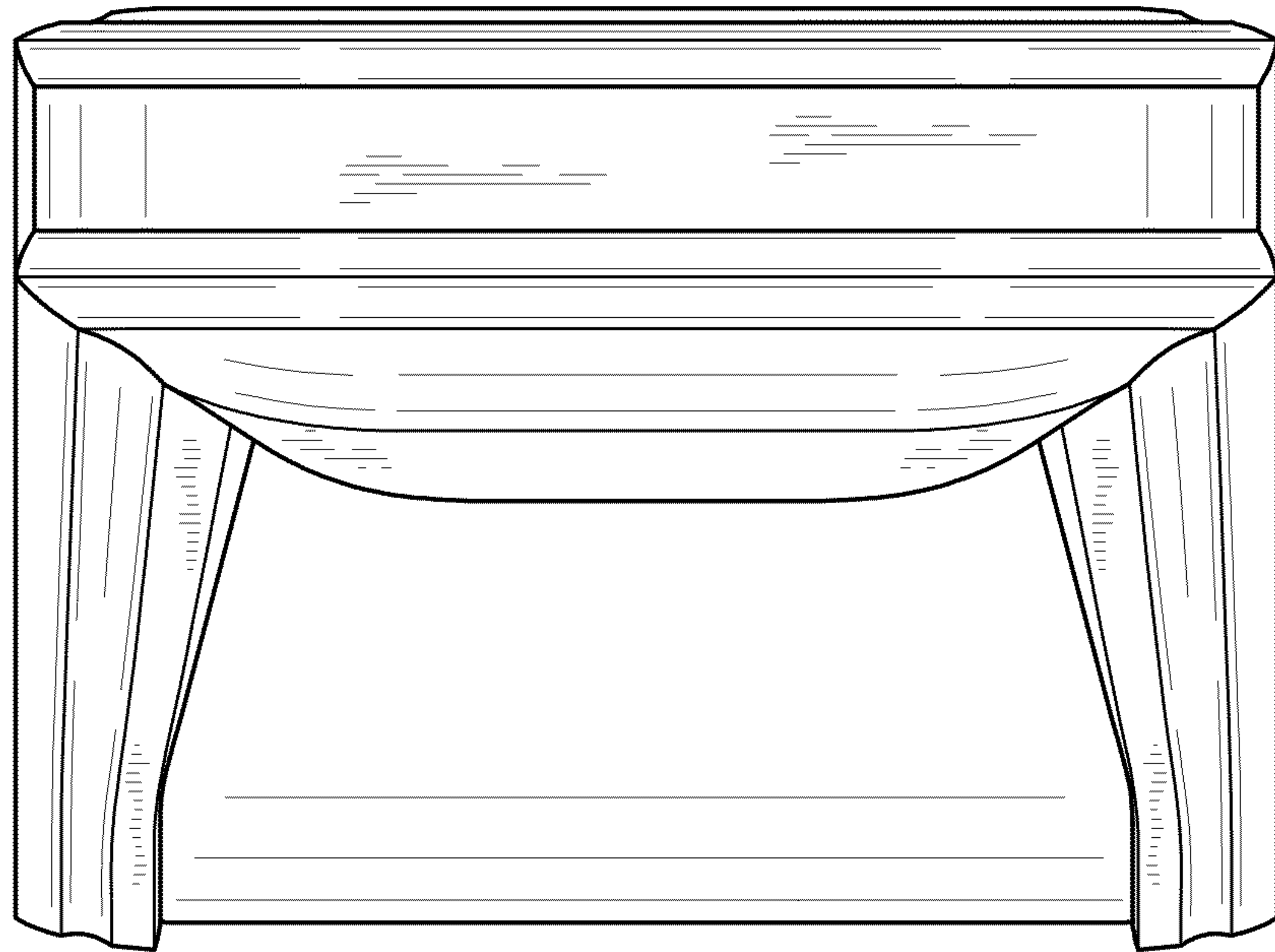


FIG. 8