



US00D705345S

(12) **United States Design Patent**
Squillante

(10) **Patent No.:** **US D705,345 S**

(45) **Date of Patent:** **** May 20, 2014**

(54) **SHEET MUSIC HOLDER**

(71) Applicant: **Charles Edward Squillante**, Wyckoff,
NJ (US)

(72) Inventor: **Charles Edward Squillante**, Wyckoff,
NJ (US)

(**) Term: **14 Years**

(21) Appl. No.: **29/442,414**

(22) Filed: **Feb. 27, 2013**

(51) **LOC (10) Cl.** **17-99**

(52) **U.S. Cl.**
USPC **D17/99**

(58) **Field of Classification Search**
USPC D17/99; 84/421, 453, 472, 486, 489;
D19/86; 248/443, 507, 441.1, 444.1
See application file for complete search history.

(56) **References Cited**

U.S. PATENT DOCUMENTS

817,550	A *	4/1906	Dodge	84/486
4,225,107	A	9/1980	Gleason	
4,360,183	A	11/1982	Biasini	
5,365,825	A *	11/1994	Marin	84/489
5,651,525	A *	7/1997	Yang	248/456
D428,044	S *	7/2000	Cullum, Jr.	D17/99
D448,401	S *	9/2001	Isobe	D17/99
D478,343	S *	8/2003	Heid	D17/99
D603,892	S *	11/2009	Davis	D17/99
D613,962	S *	4/2010	Luebcke	D6/418
7,723,593	B1 *	5/2010	Prentice et al.	84/411 P
7,723,595	B2 *	5/2010	Dunlop	84/421
2004/0187669	A1 *	9/2004	Steffens et al.	84/486
2008/0116337	A1	5/2008	Kaneda	

* cited by examiner

Primary Examiner — Rashida Johnson

(74) *Attorney, Agent, or Firm* — Edward A. Squillante, Jr.

(57) **CLAIM**

The ornamental design for a sheet music holder, as shown and described.

DESCRIPTION

FIG. 1 is a perspective view of a sheet music holder in accordance with my new design.

FIG. 2 is a top plan view thereof;

FIG. 3 is a front view, the rear view being a mirror image thereof;

FIG. 4 is a bottom plan view thereof;

FIG. 5 is a right side view, the left side view being a mirror image thereof;

FIG. 6 is an exploded perspective wherein the broken-line disclosure is for environmental purposes only and does not constitute a part of the claimed design;

FIG. 7 is a perspective view wherein the broken line disclosure is for environmental purposes only and does not constitute a part of the claimed design;

FIG. 8 is a perspective view of a second embodiment of the sheet music holder.

FIG. 9 is a top plan view thereof;

FIG. 10 is a front view, the rear view being a mirror image thereof;

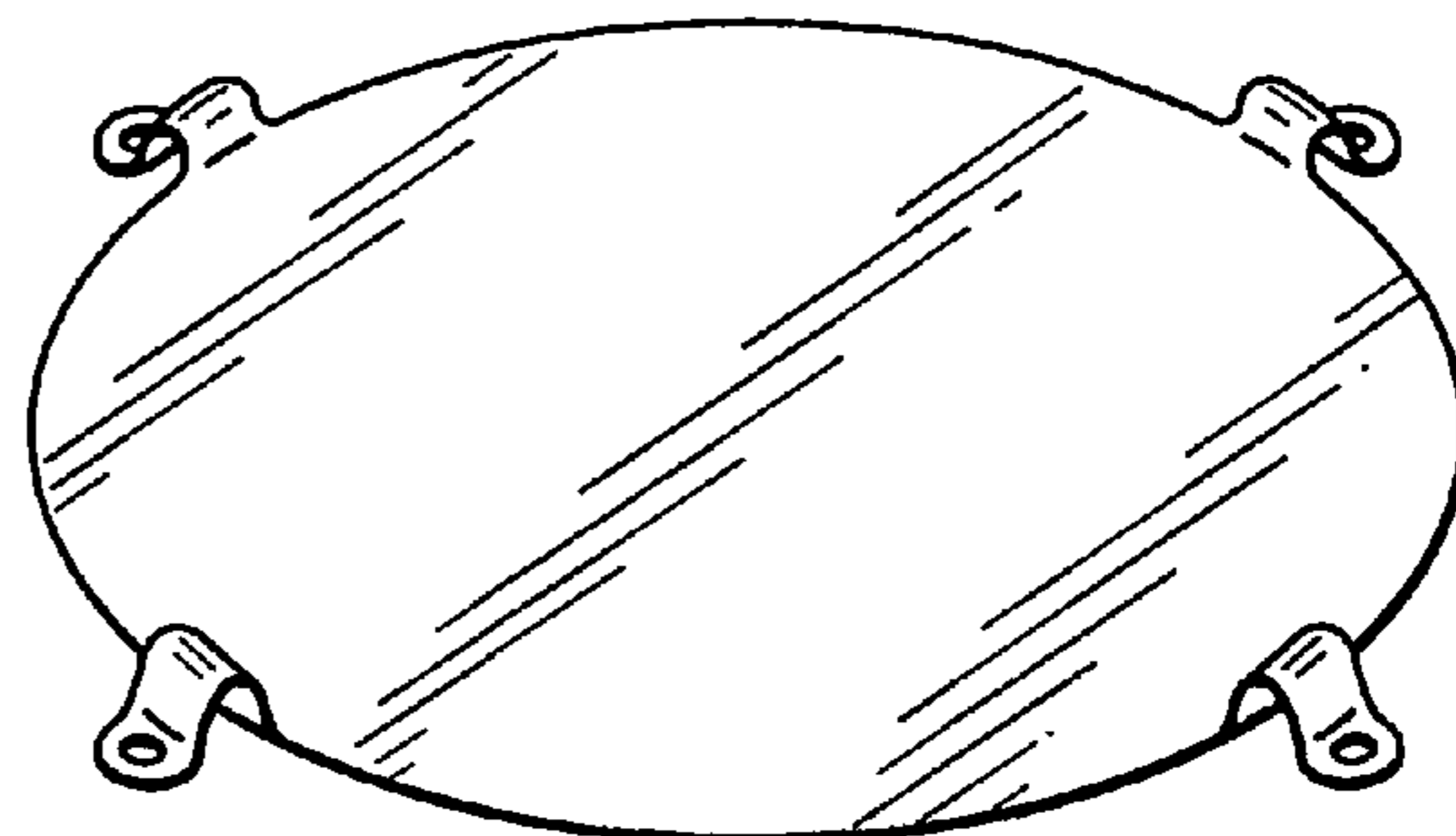
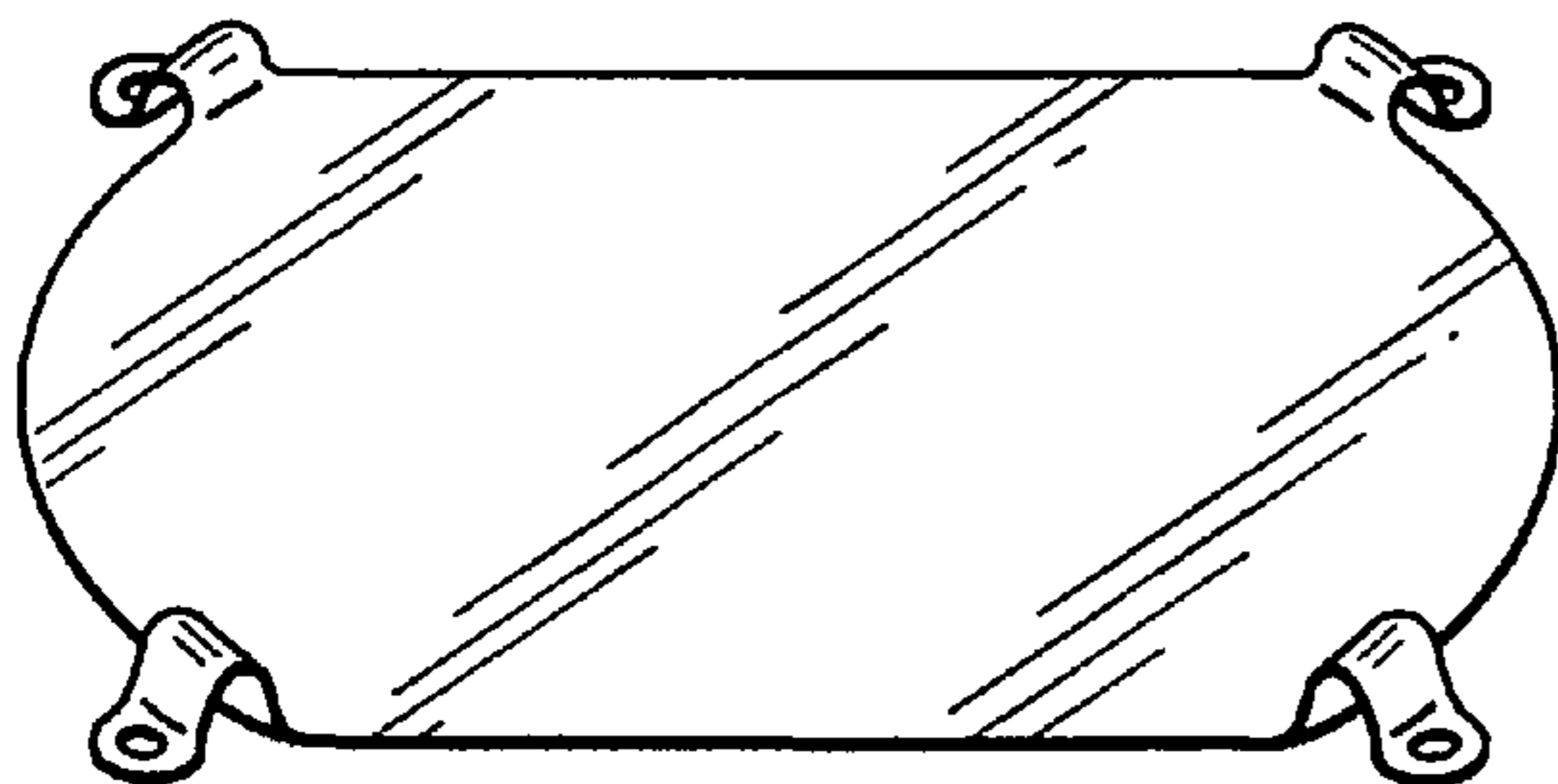
FIG. 11 is a bottom plan view thereof;

FIG. 12 is a right side view, the left side being a mirror image thereof;

FIG. 13 is an exploded perspective view wherein the broken-line disclosure is for environmental purposes only and does not constitute a part of the claimed design; and,

FIG. 14 is a perspective view wherein the broken-line disclosure is for environmental purposes only and does not constitute a part of the claimed design.

1 Claim, 8 Drawing Sheets



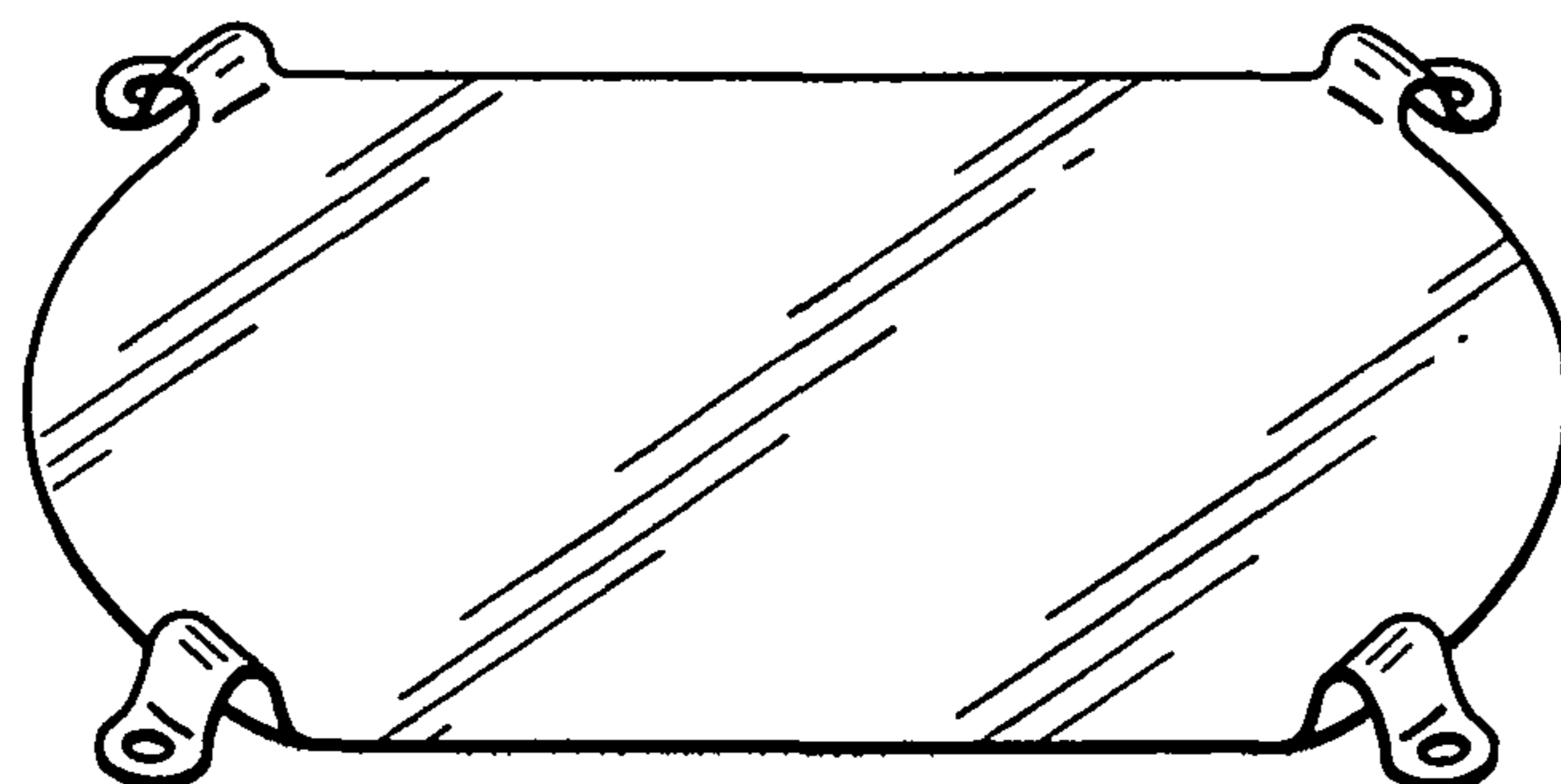


FIG. 1

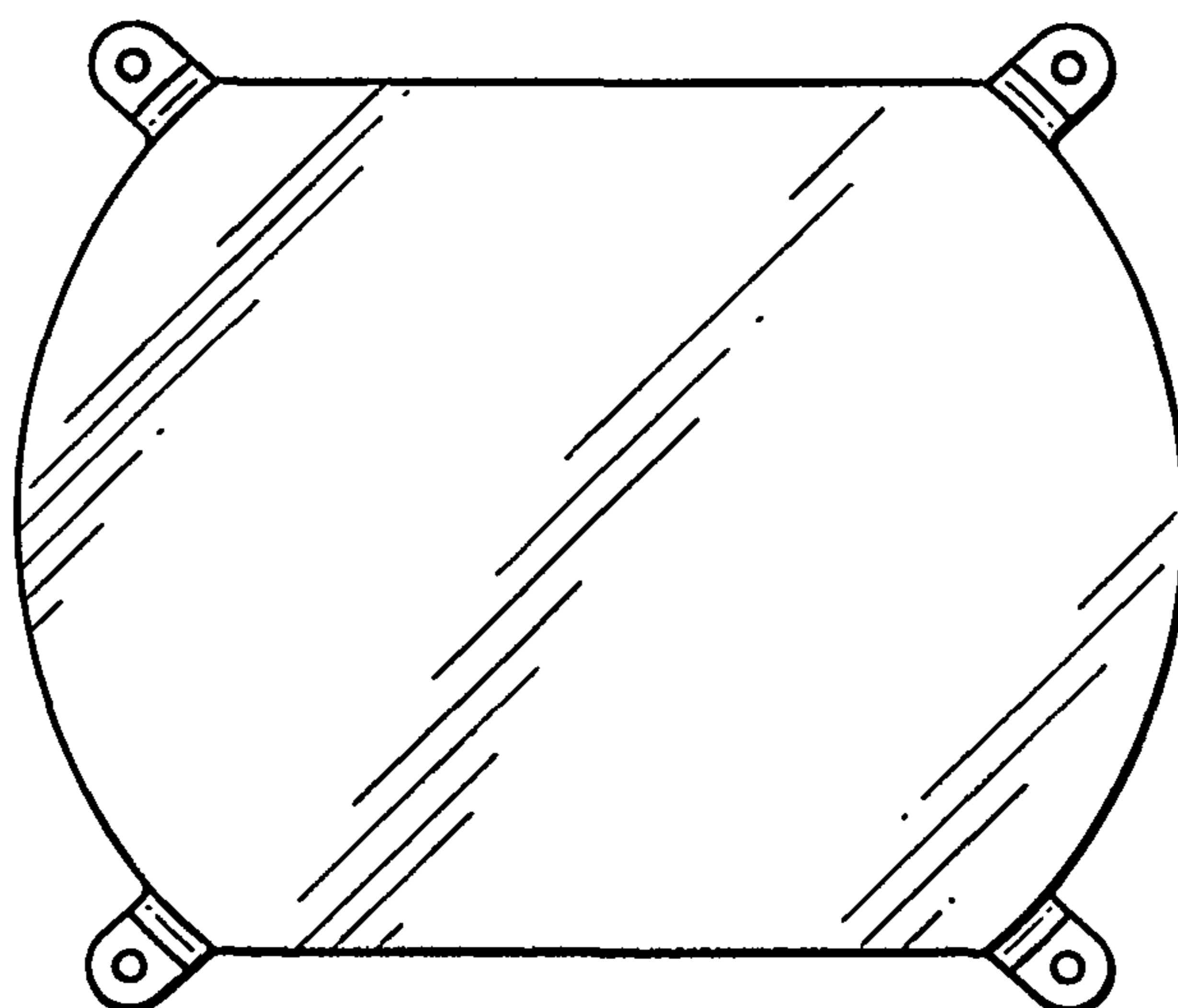


FIG. 2



FIG. 3

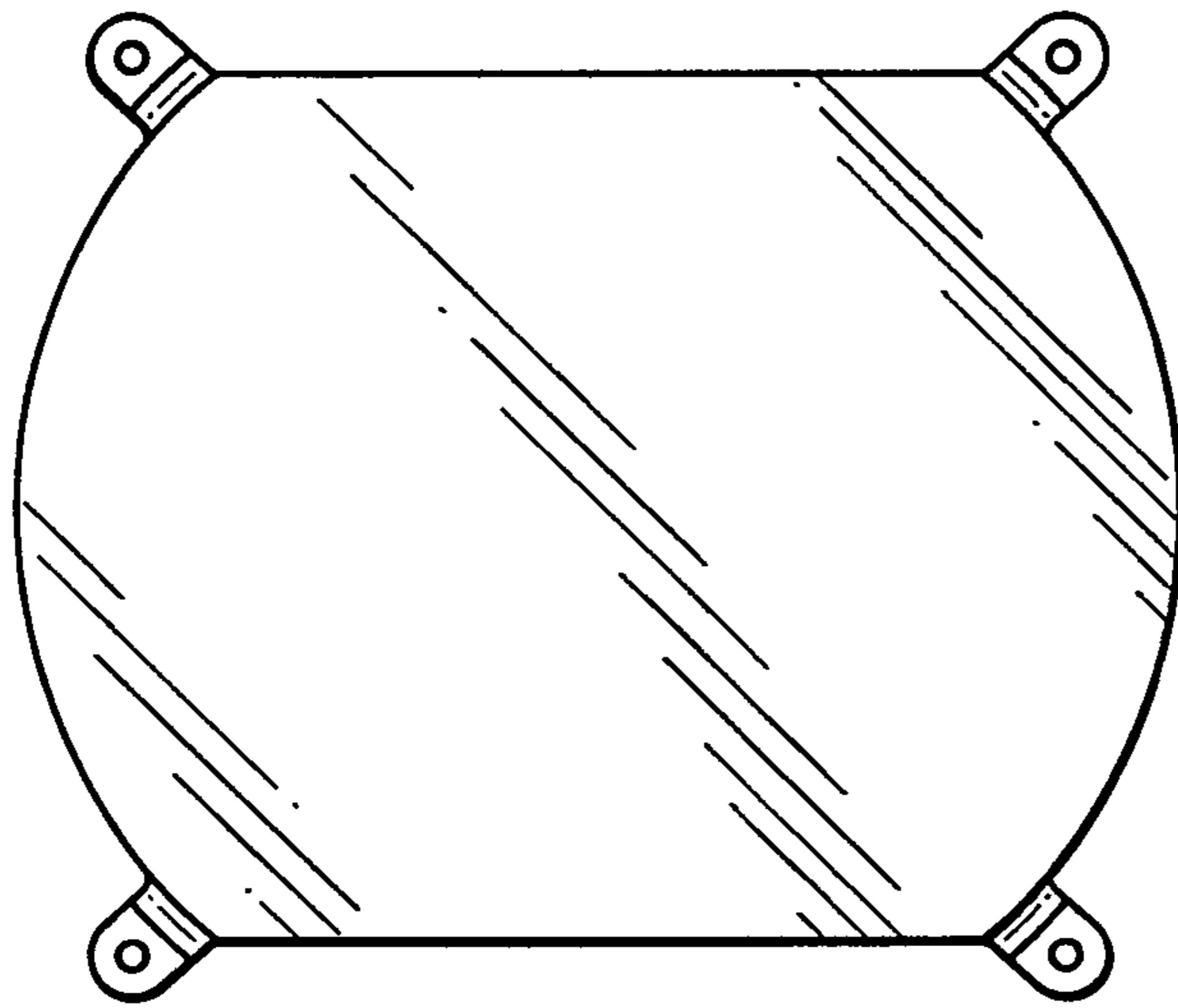


FIG. 4



FIG. 5

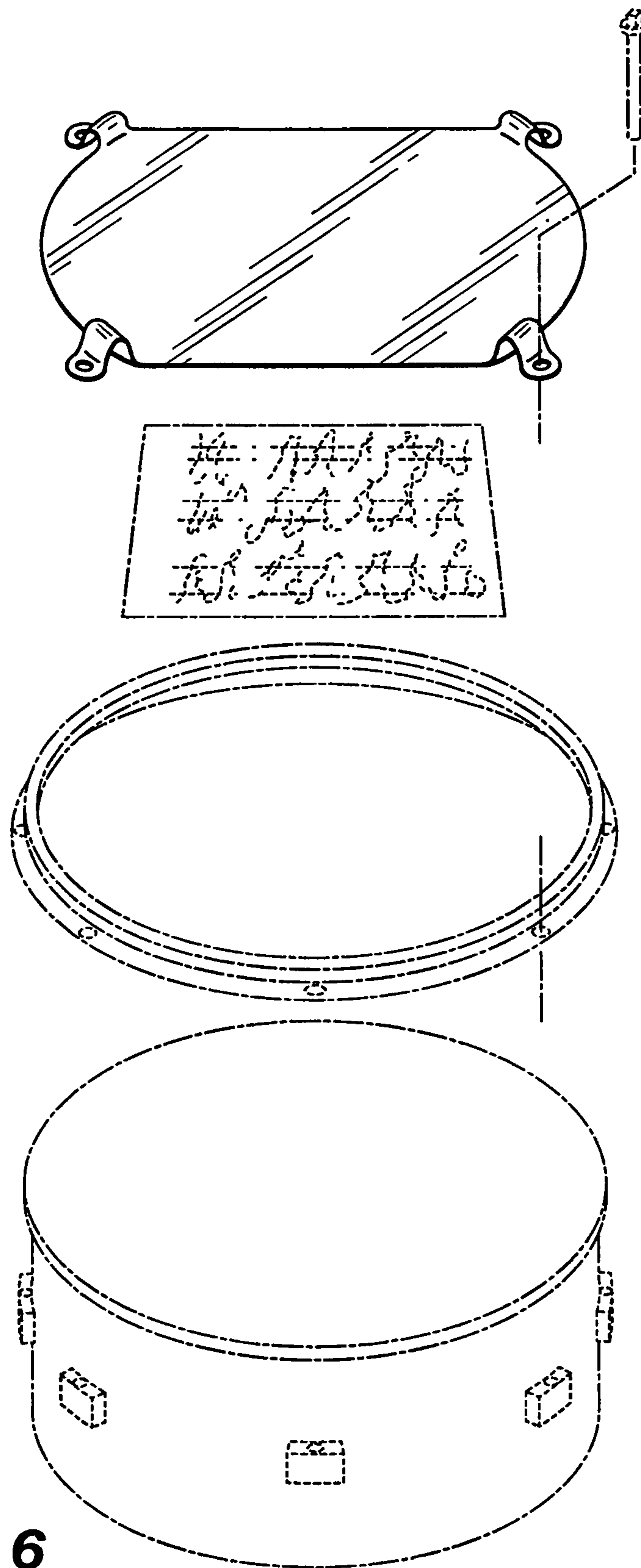


FIG. 6

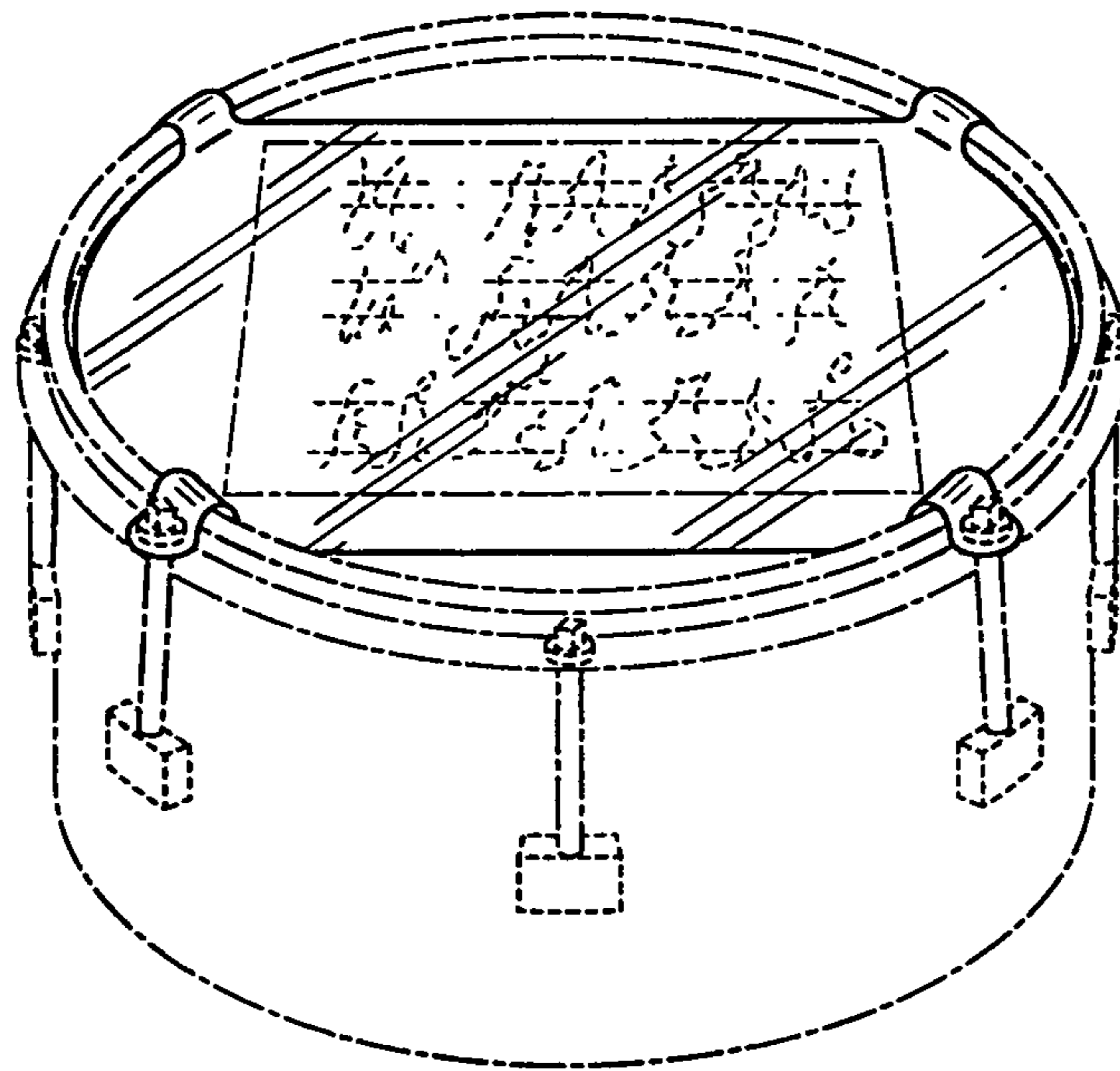


FIG. 7

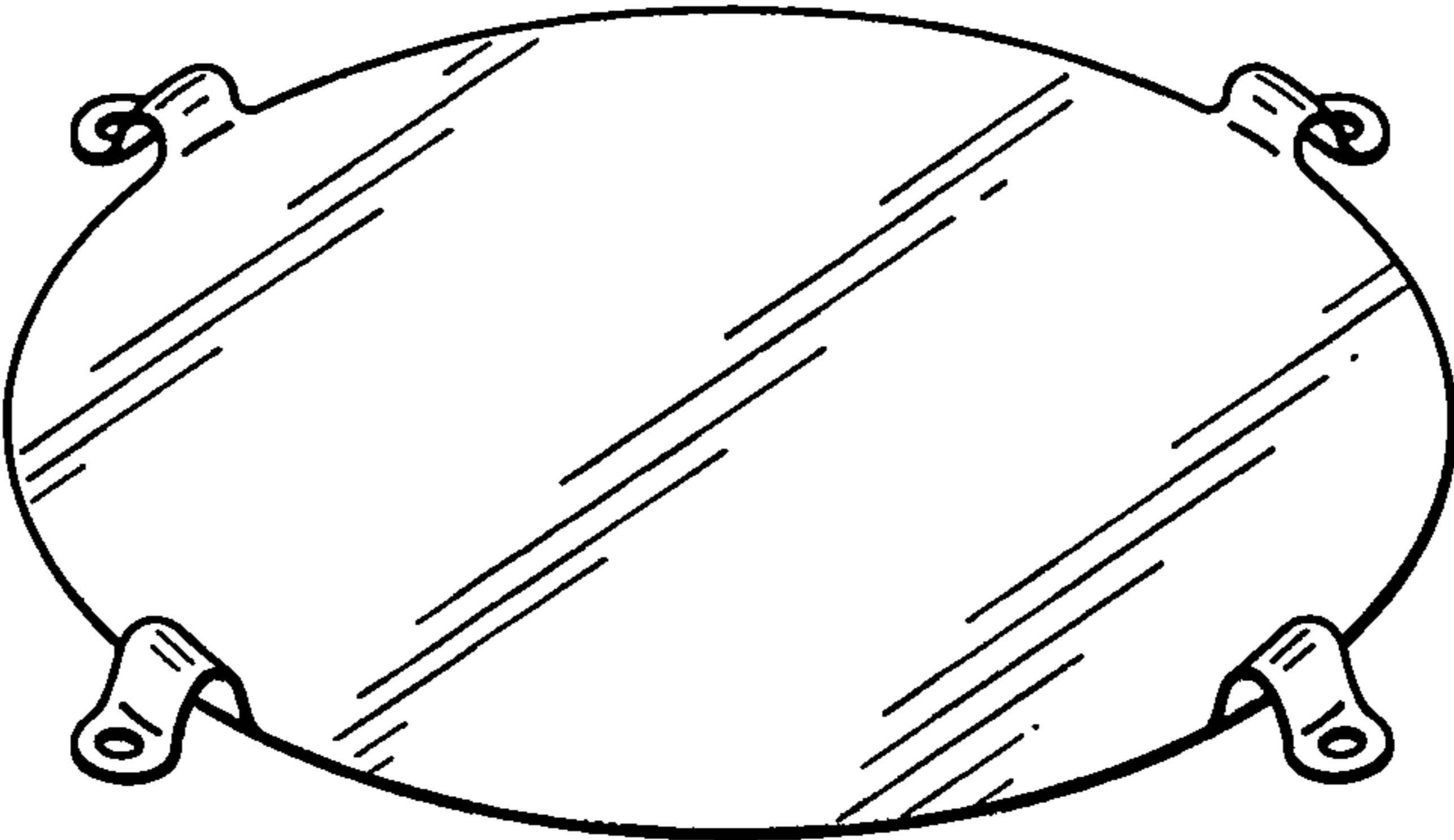


FIG. 8

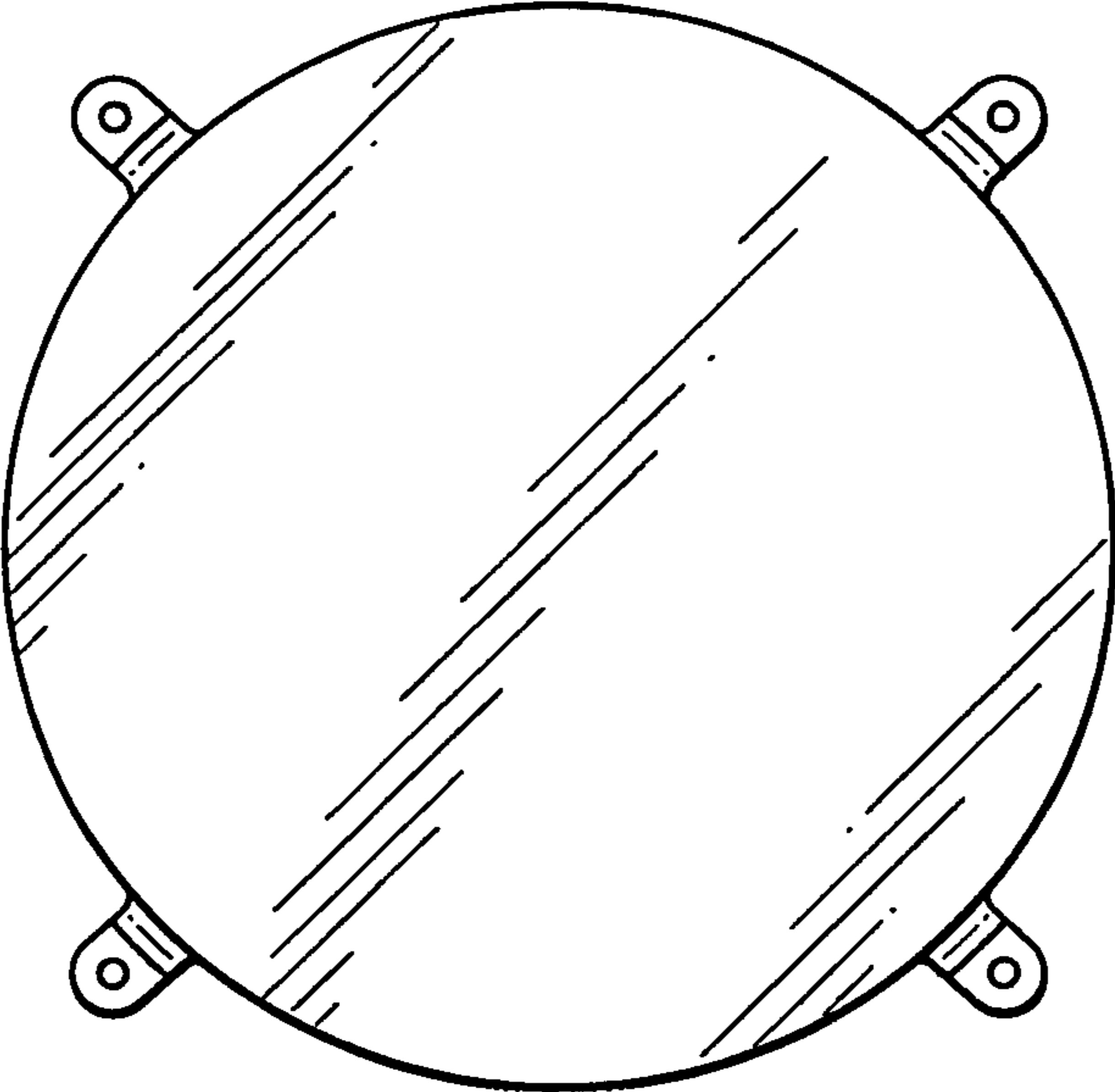


FIG. 9



FIG. 10

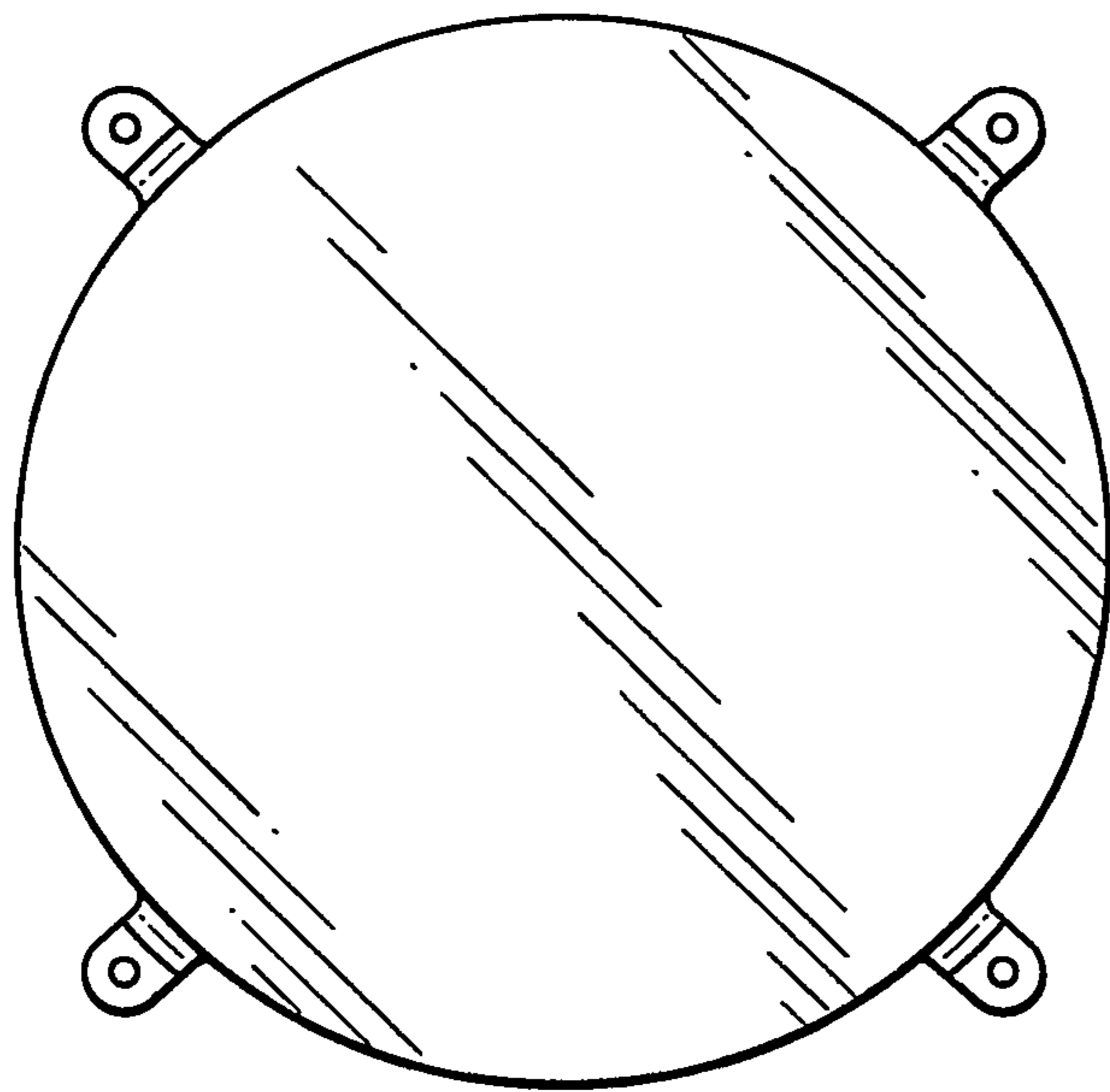


FIG. 11



FIG. 12

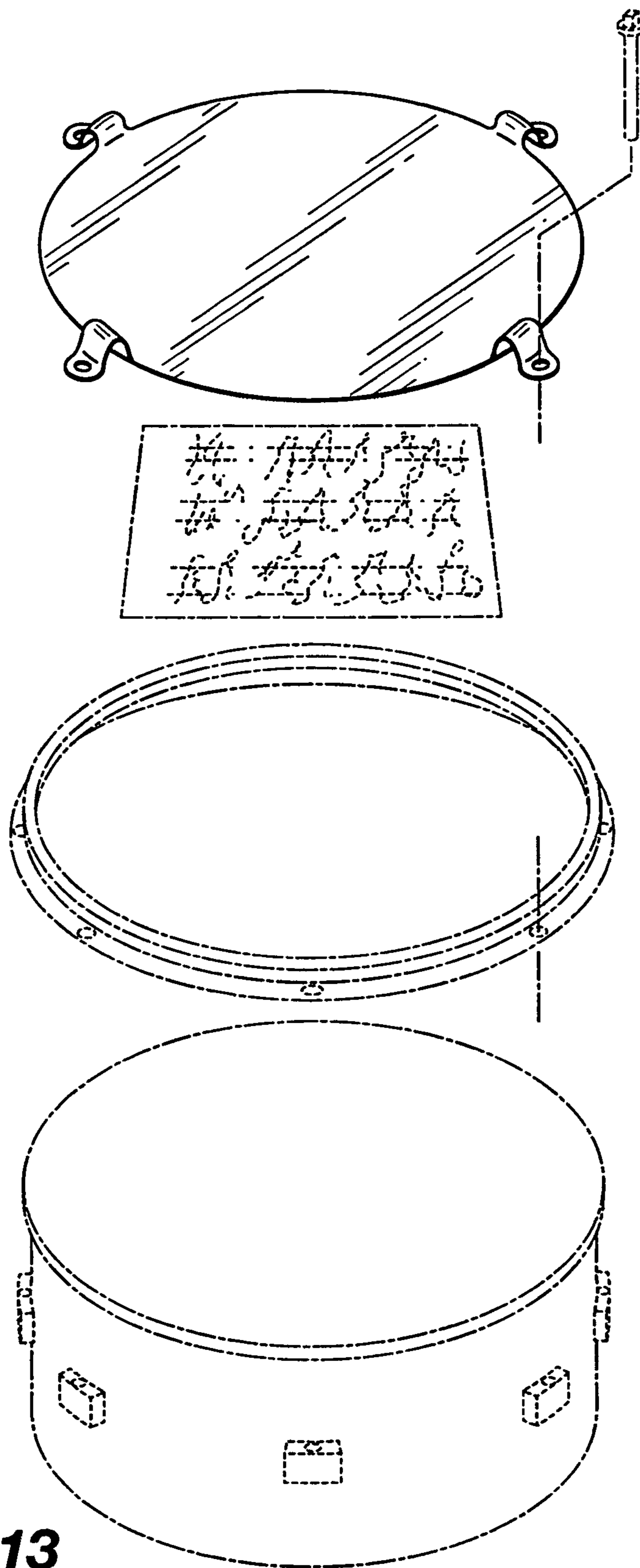


FIG. 13

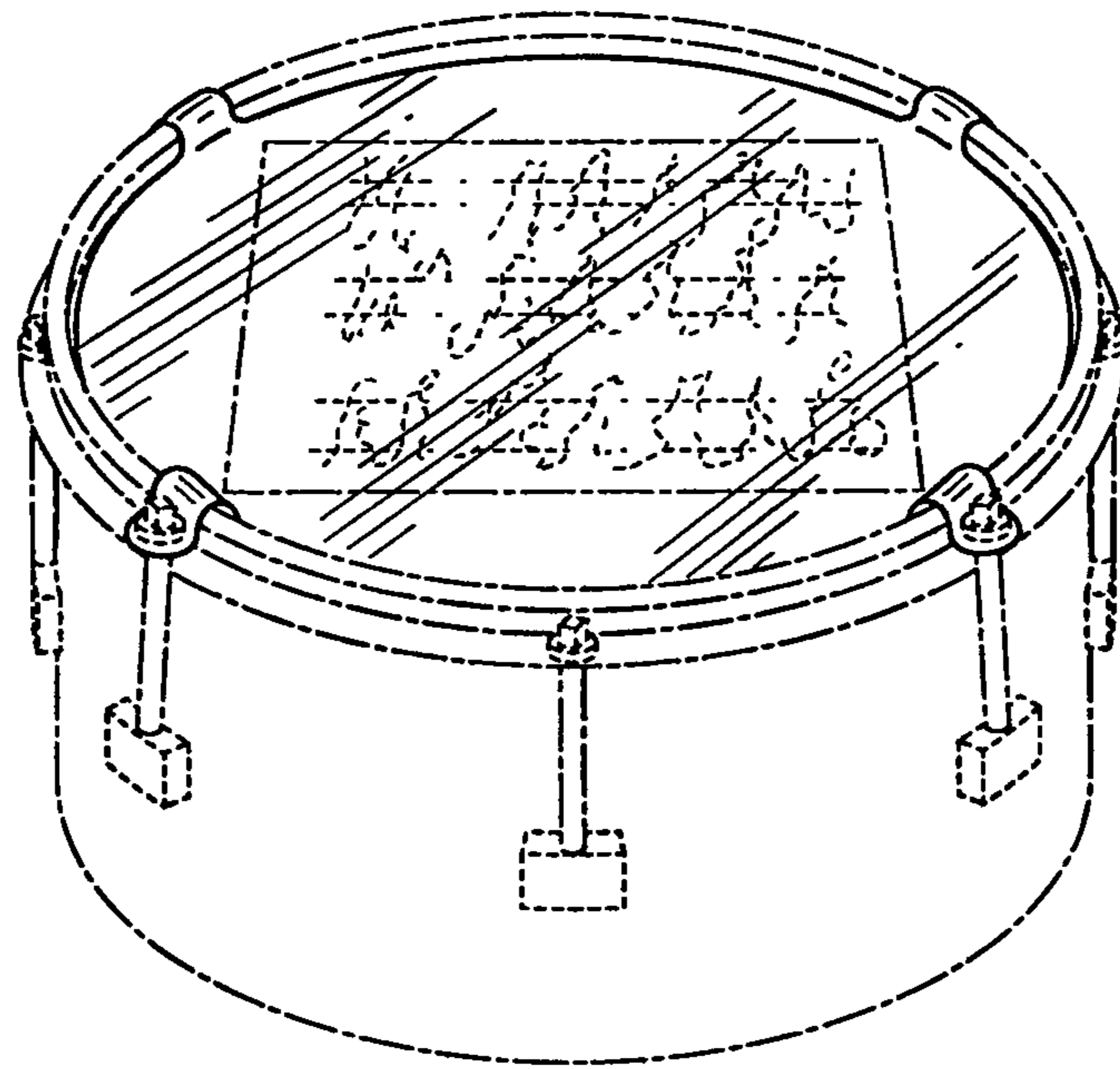


FIG. 14