



US00D705342S

(12) **United States Design Patent**
Mazzola

(10) **Patent No.:** **US D705,342 S**

(45) **Date of Patent:** **** May 20, 2014**

(54) **SIDE SHIELDS WITH ATTACHED
RETRACTABLE ARMS FOR AN EYEGLASS
FRAME**

(71) Applicant: **Jonathan Matthew Mazzola**, East
Hampton, NY (US)

(72) Inventor: **Jonathan Matthew Mazzola**, East
Hampton, NY (US)

(**) Term: **14 Years**

(21) Appl. No.: **29/466,586**

(22) Filed: **Sep. 10, 2013**

(51) **LOC (10) Cl.** **16-06**

(52) **U.S. Cl.**
USPC **D16/335**; D16/337; D16/321; D16/326

(58) **Field of Classification Search**
USPC D16/101, 300–342, 900; D29/109–110;
351/41, 44, 51–52, 62, 158, 92,
351/103–123, 140–153, 45–46; 2/426–432,
2/447–449, 441, 434–437, 13, 15;
D21/483, 659–661; D14/372
See application file for complete search history.

(56) **References Cited**

U.S. PATENT DOCUMENTS

3,705,761	A	12/1972	Fujisawa	
4,306,779	A	12/1981	Rege	
D284,769	S *	7/1986	MacWilliamson	D16/321
4,848,891	A	7/1989	Lee	
D370,931	S *	6/1996	Huang	D16/315
D371,382	S *	7/1996	Berthet-Bondet	D16/326
5,555,037	A *	9/1996	Canavan	351/118
D376,613	S *	12/1996	Stepan et al.	D16/327
D380,003	S *	6/1997	Wiedner	D16/325
D408,840	S *	4/1999	Lane	D16/321
D412,179	S *	7/1999	Hall et al.	D16/335
D423,033	S *	4/2000	Hall et al.	D16/314

D428,040	S *	7/2000	Pedeaussaut	D16/320
D457,552	S *	5/2002	Lee	D16/315
6,575,569	B1	6/2003	Castellano	
D497,933	S *	11/2004	Moody	D16/321
D621,866	S *	8/2010	Yang	D16/315
2005/0078268	A1	4/2005	Froissard	
2011/0075092	A1	3/2011	Nordyke	

* cited by examiner

Primary Examiner — Raphael Barkai

(74) *Attorney, Agent, or Firm* — Barkume & Associates, P.C.

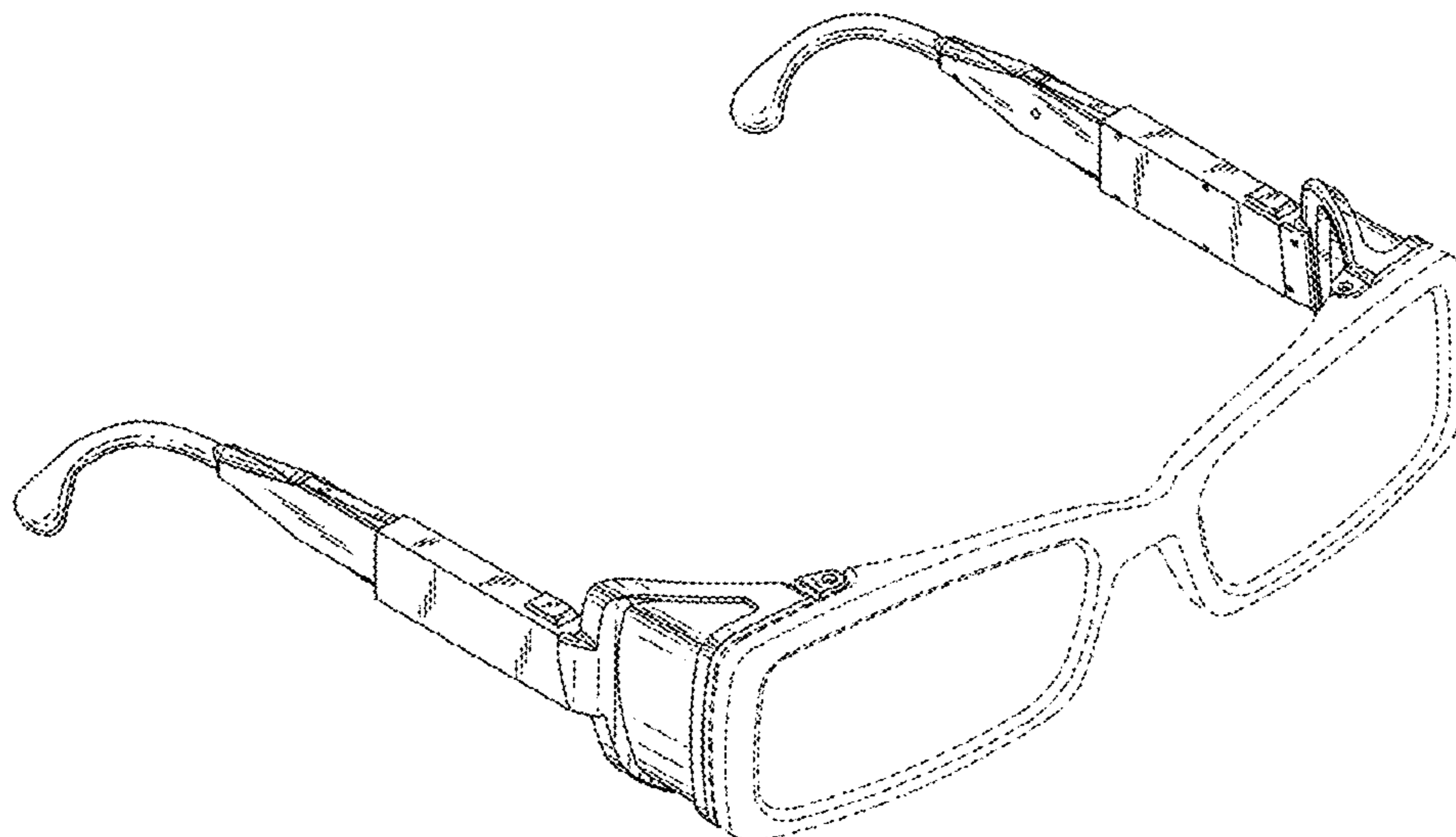
(57) **CLAIM**

The ornamental design for side shields with attached retractable arms for an eyeglass frame, as shown and described.

DESCRIPTION

WHEREIN, FIG. 1 is a perspective view of side shields with attached retractable arms for an eyeglass frame, showing my new design;
 FIG. 2 is a top view thereof;
 FIG. 3 is a front view thereof;
 FIG. 4 is a side view thereof;
 FIG. 5 is a rear view thereof;
 FIG. 6 is a bottom view thereof; and
 FIG. 7 is a perspective view thereof, with the retractable arms in a retracted position and the side shields in an open condition with respect to the eyeglass frame;
 FIG. 8 is a front perspective view thereof, with the retractable arms in a retracted position and the side shields in a closed condition with respect to the eyeglass frame; and,
 FIG. 9 is a rear perspective view thereof, with the retractable arms in a retracted position and the side shields in a closed condition with respect to the eyeglass frame.
 The broken line showing the eyeglass frame in FIGS. 1 through 9 is for illustrative purposes only and forms no part of the claimed design.

1 Claim, 8 Drawing Sheets



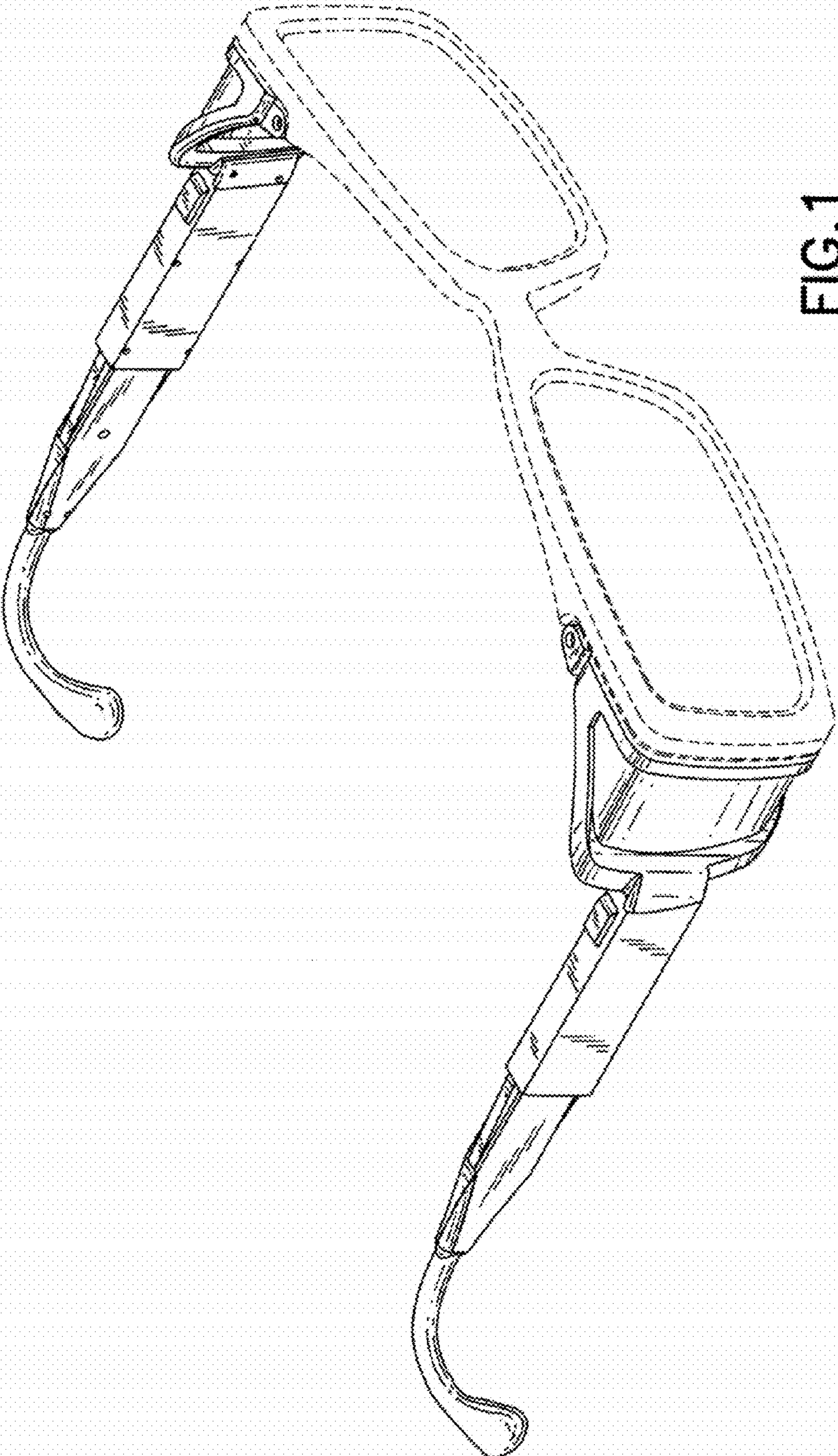


FIG. 1

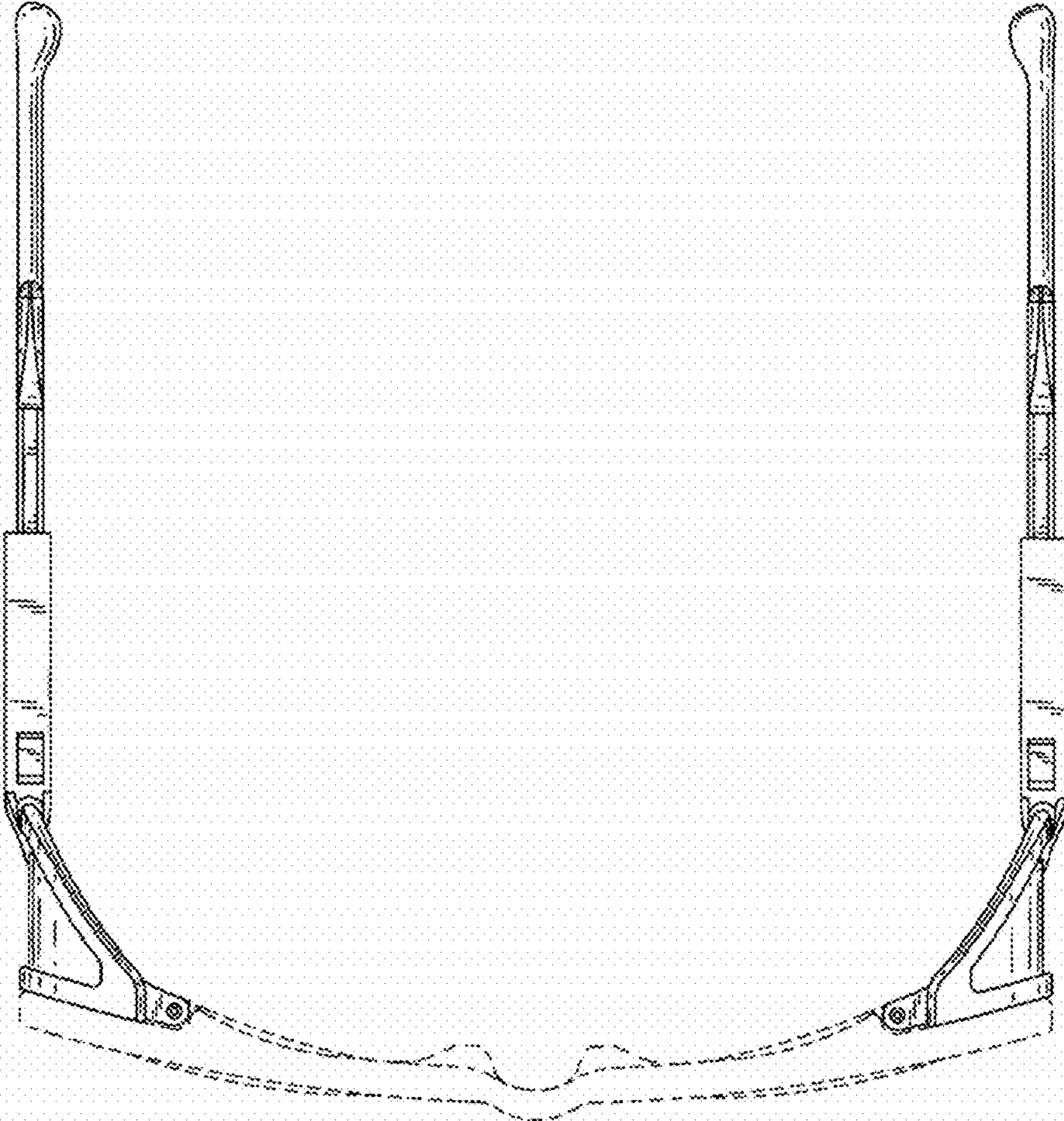


FIG.2

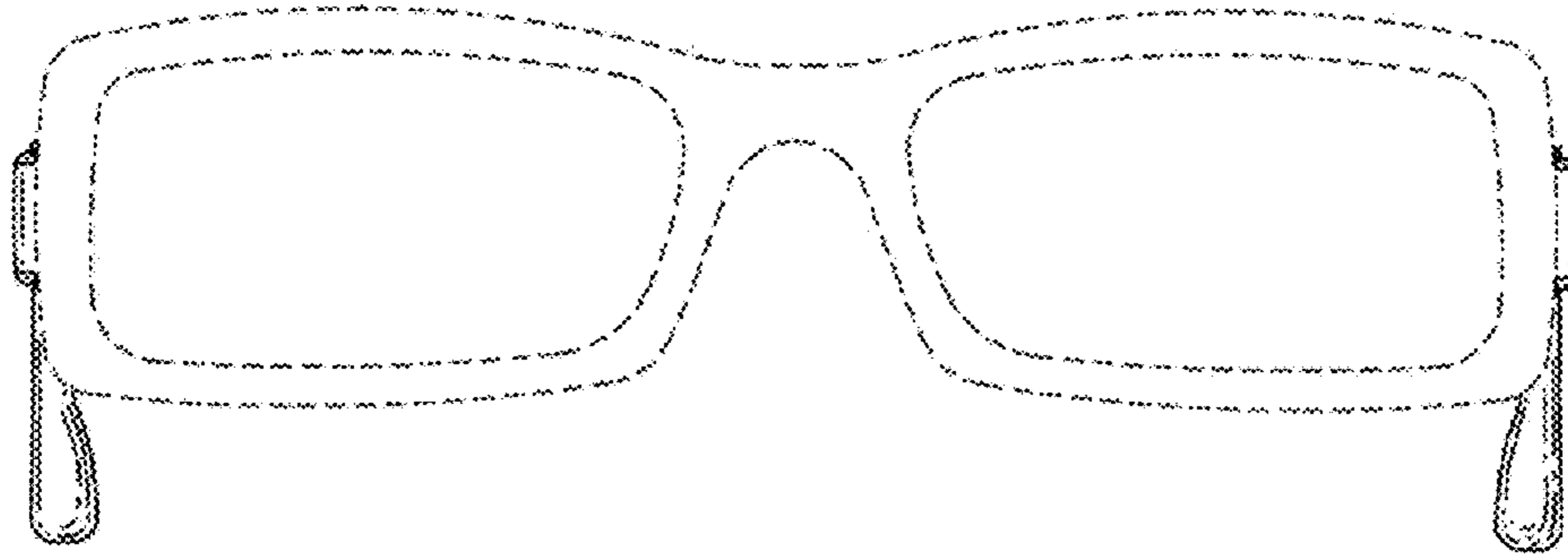


FIG. 3

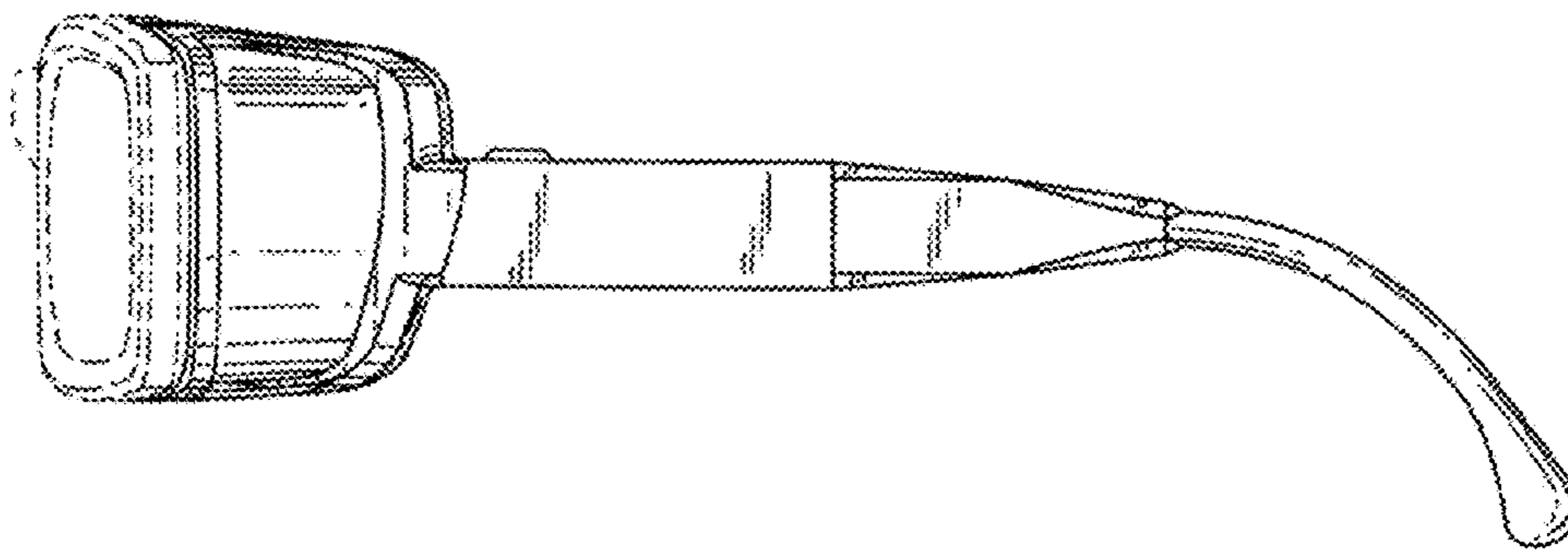
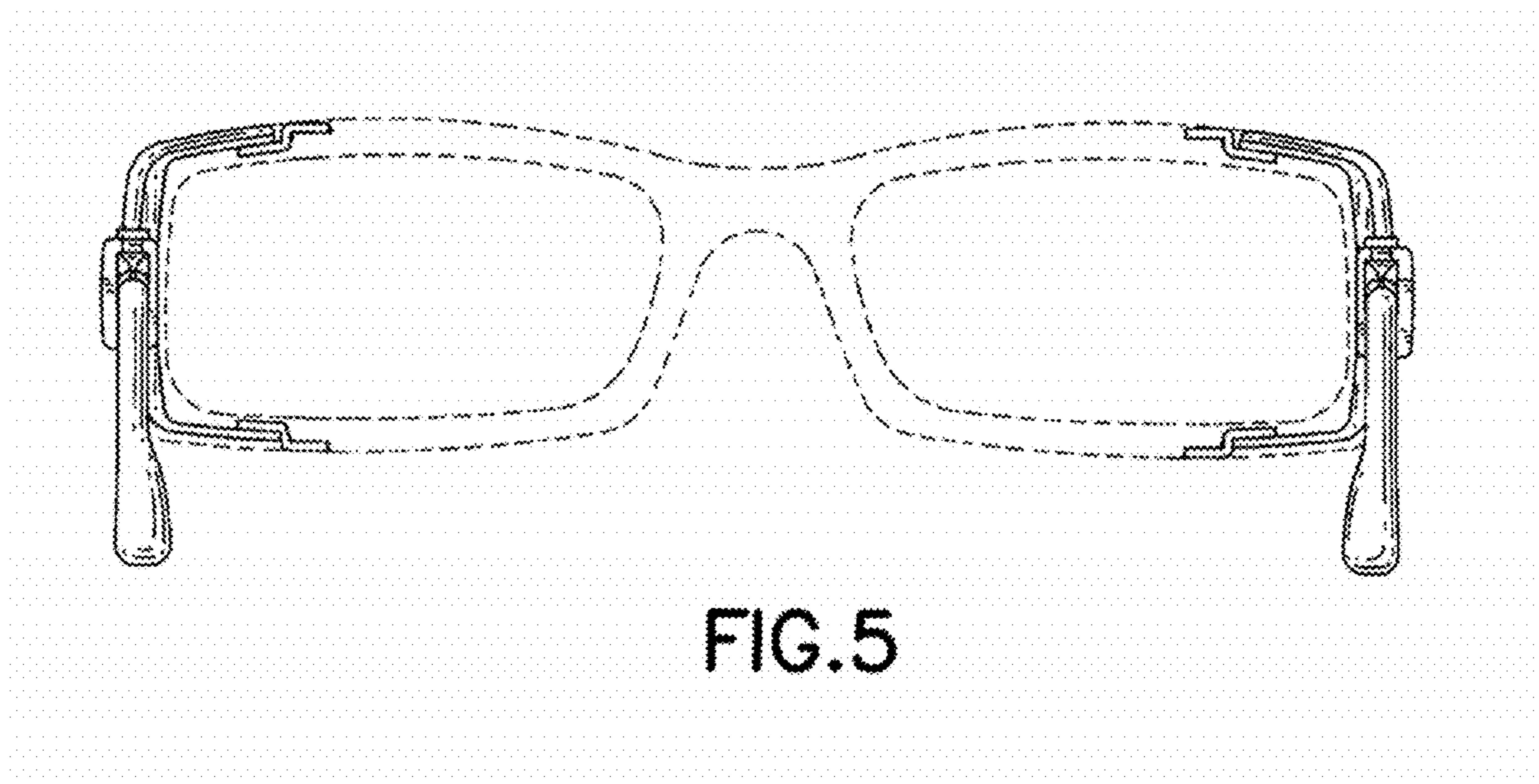


FIG. 4



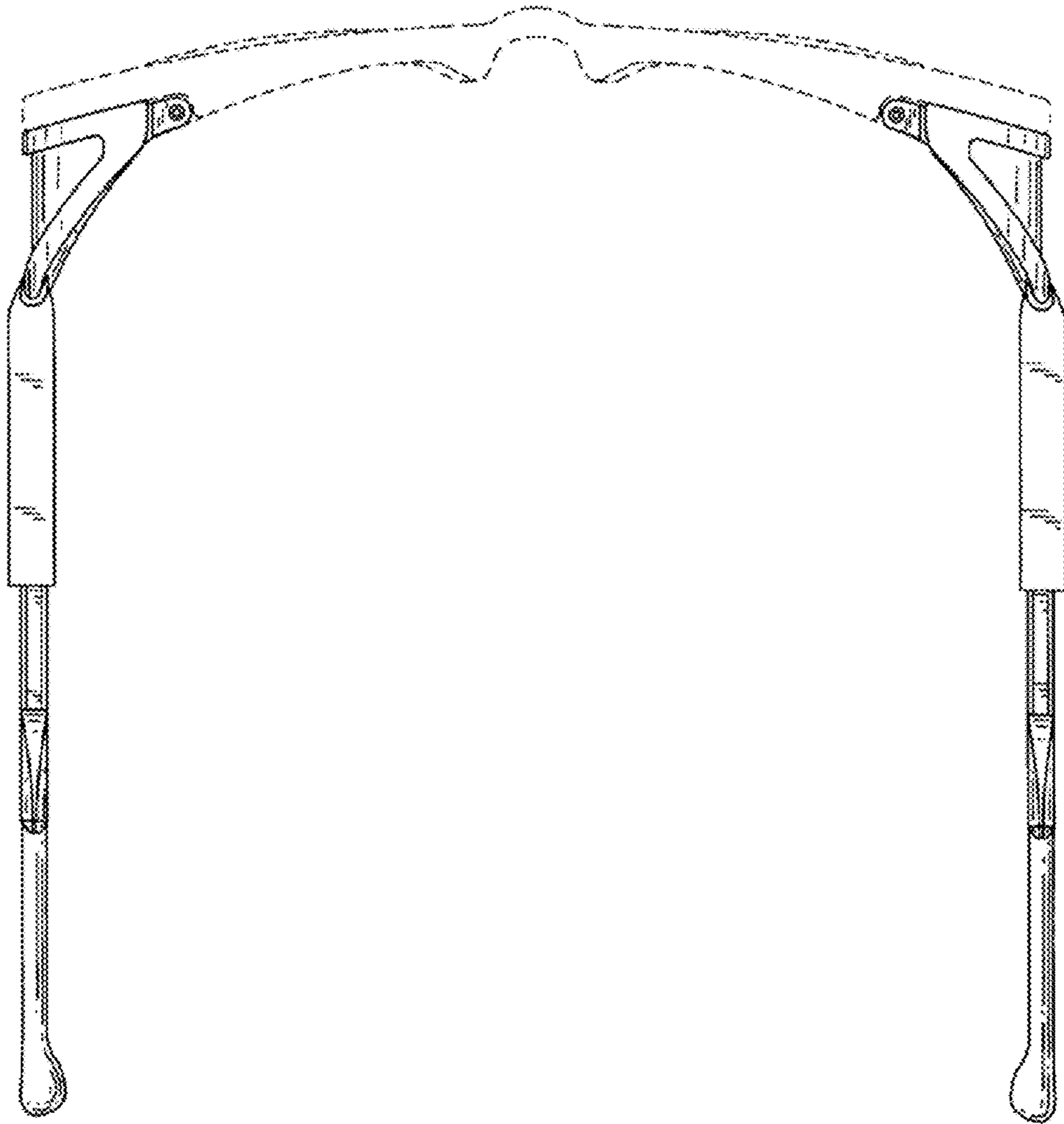


FIG.6

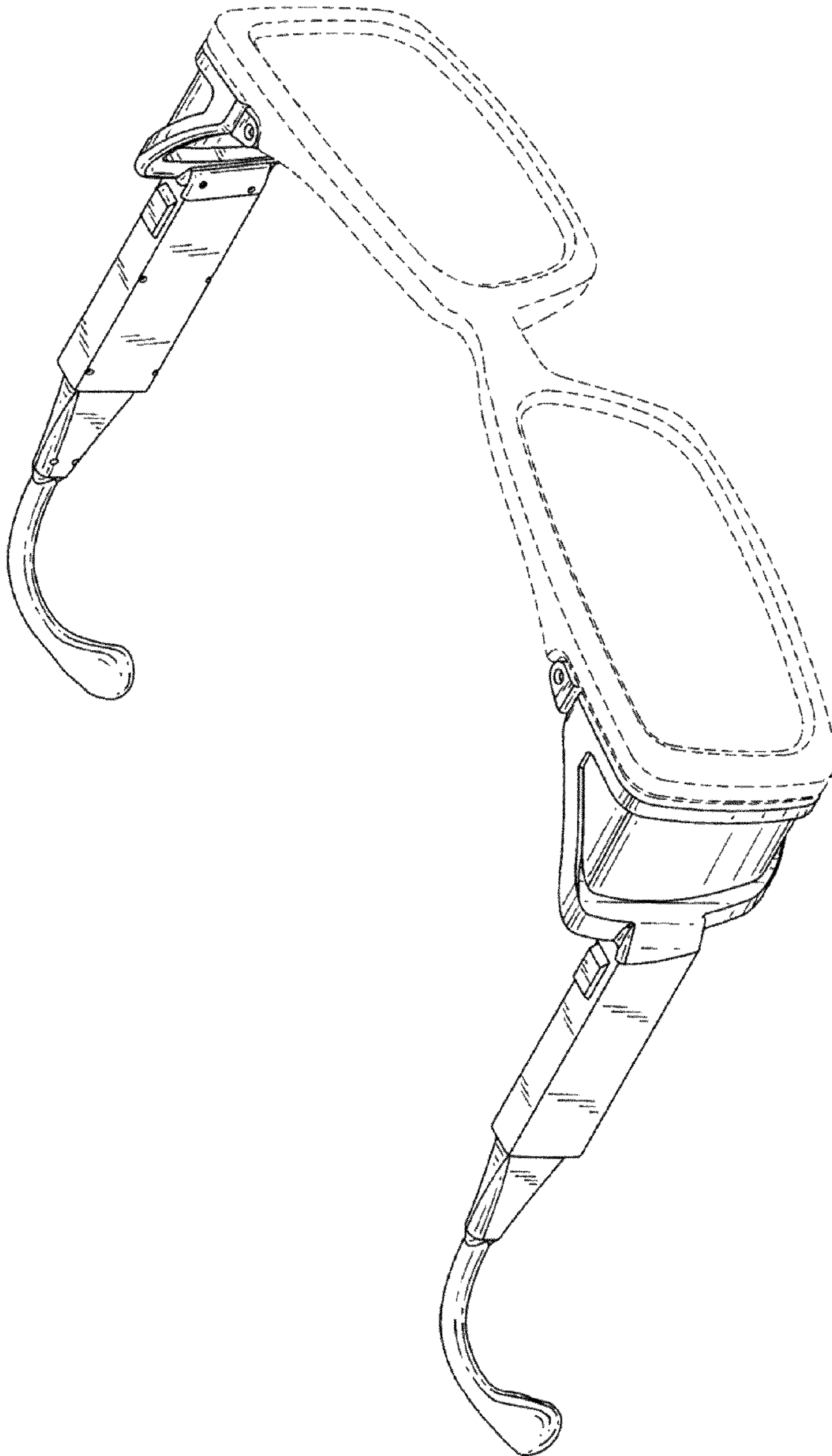


FIG. 7

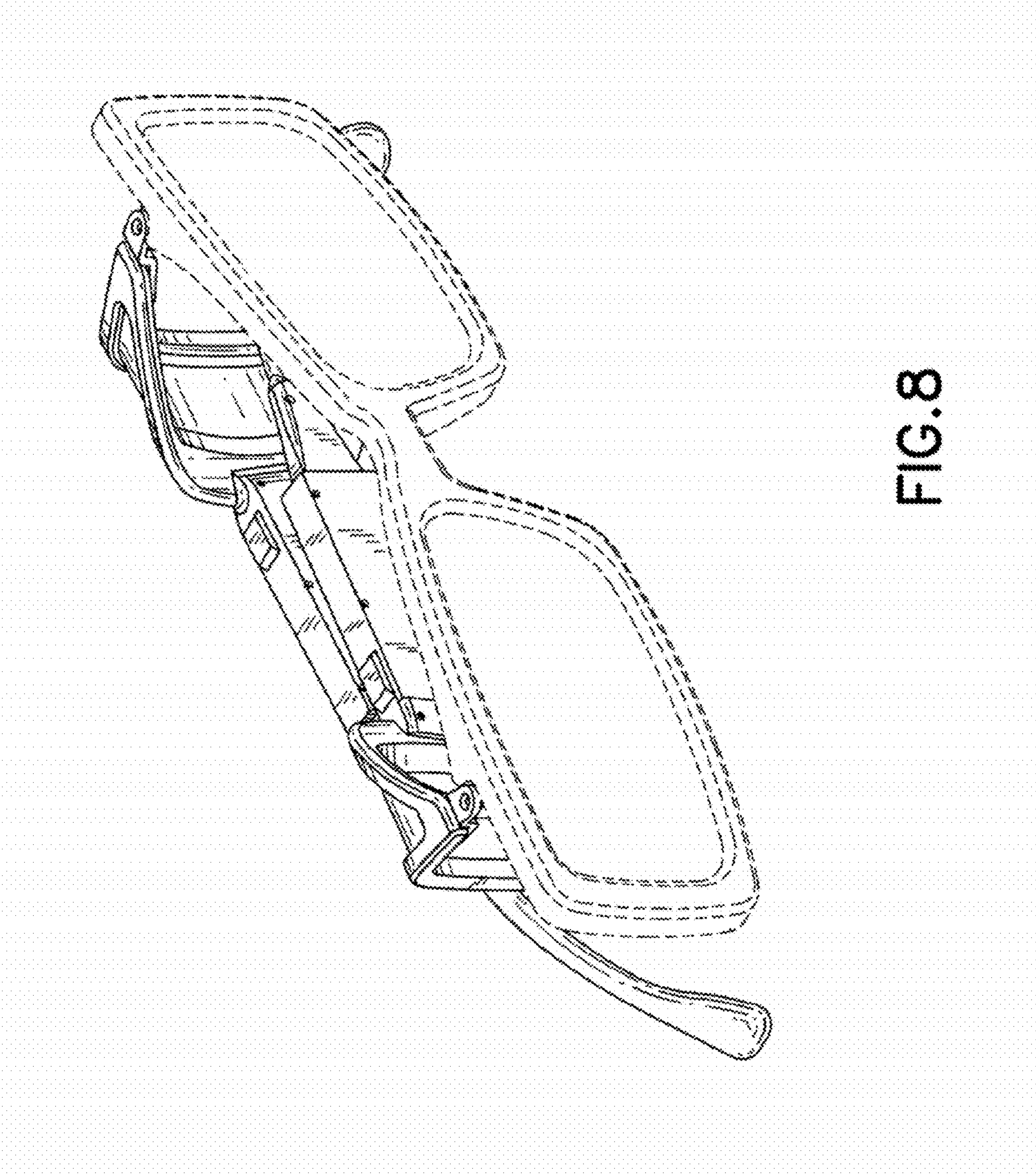


FIG. 8

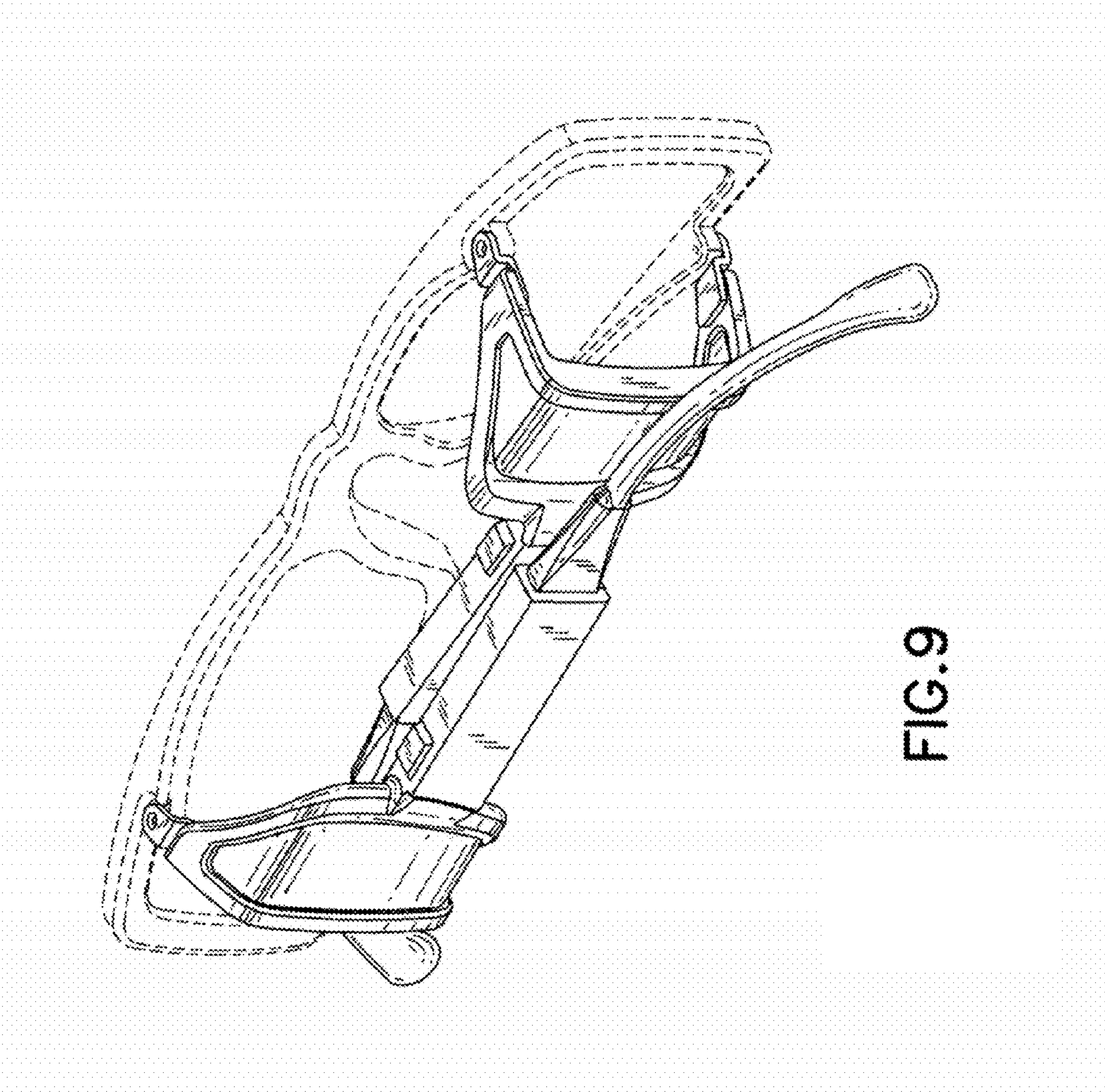


FIG. 9