



US00D705338S

(12) **United States Design Patent**  
**Choltco-Devlin et al.**

(10) **Patent No.:** **US D705,338 S**

(45) **Date of Patent:** **\*\* May 20, 2014**

(54) **CAMERA MOUNT**

(75) Inventors: **Evan Choltco-Devlin**, Seattle, WA (US);  
**Adam L. Smith**, Palm Desert, CA (US);  
**Christopher Alviar**, Seattle, WA (US)

5,966,176 A 10/1999 Chow et al.  
6,028,627 A 2/2000 Helmsderfer  
6,091,831 A 7/2000 Cho  
D430,888 S 9/2000 Adachi et al.  
6,142,437 A 11/2000 Wilkins, Jr.

(Continued)

(73) Assignee: **Contour, LLC**, Provo, UT (US)

(\*\*) Term: **14 Years**

(21) Appl. No.: **29/423,720**

(22) Filed: **Jun. 4, 2012**

(51) **LOC (10) Cl.** ..... **16-05**

(52) **U.S. Cl.**  
USPC ..... **D16/242**

(58) **Field of Classification Search**  
USPC ..... D16/200–204, 208, 214, 219, 235, 237,  
D16/242–245, 250; D14/217, 511;  
248/176.1, 177.1, 178.1, 179.1, 180.1,  
248/183.1, 187.1, 683; 348/373, 375;  
396/419–428; D8/394–396

See application file for complete search history.

(56) **References Cited**

**U.S. PATENT DOCUMENTS**

D246,528 S 11/1977 Miller  
D247,420 S \* 3/1978 Reynolds ..... D8/373  
4,516,157 A 5/1985 Campbell  
4,525,045 A 6/1985 Fazekas  
D292,982 S 12/1987 Nakatani  
D305,608 S \* 1/1990 Hahn ..... D8/72  
5,056,745 A 10/1991 Gelbard  
5,218,439 A 6/1993 Mizoguchi et al.  
D342,953 S \* 1/1994 Yoder ..... D14/238  
5,557,329 A 9/1996 Lim  
5,583,571 A 12/1996 Friedland  
D378,095 S 2/1997 Hasegawa  
D381,113 S \* 7/1997 Safyan ..... D26/140  
D392,300 S 3/1998 Chow et al.  
5,859,666 A 1/1999 Manabe  
D408,727 S \* 4/1999 Sherman ..... D8/396

**FOREIGN PATENT DOCUMENTS**

CA 2 463 117 A1 8/2004  
DE 198 31 819 C1 7/1998

(Continued)

**OTHER PUBLICATIONS**

International Application No. PCT/US2008/71661, filed Jul. 30, 2008.

(Continued)

*Primary Examiner* — Susan Bennett Hattan

*Assistant Examiner* — Vy Koenig

(74) *Attorney, Agent, or Firm* — Knobbe, Martens, Olson & Bear, LLP

(57) **CLAIM**

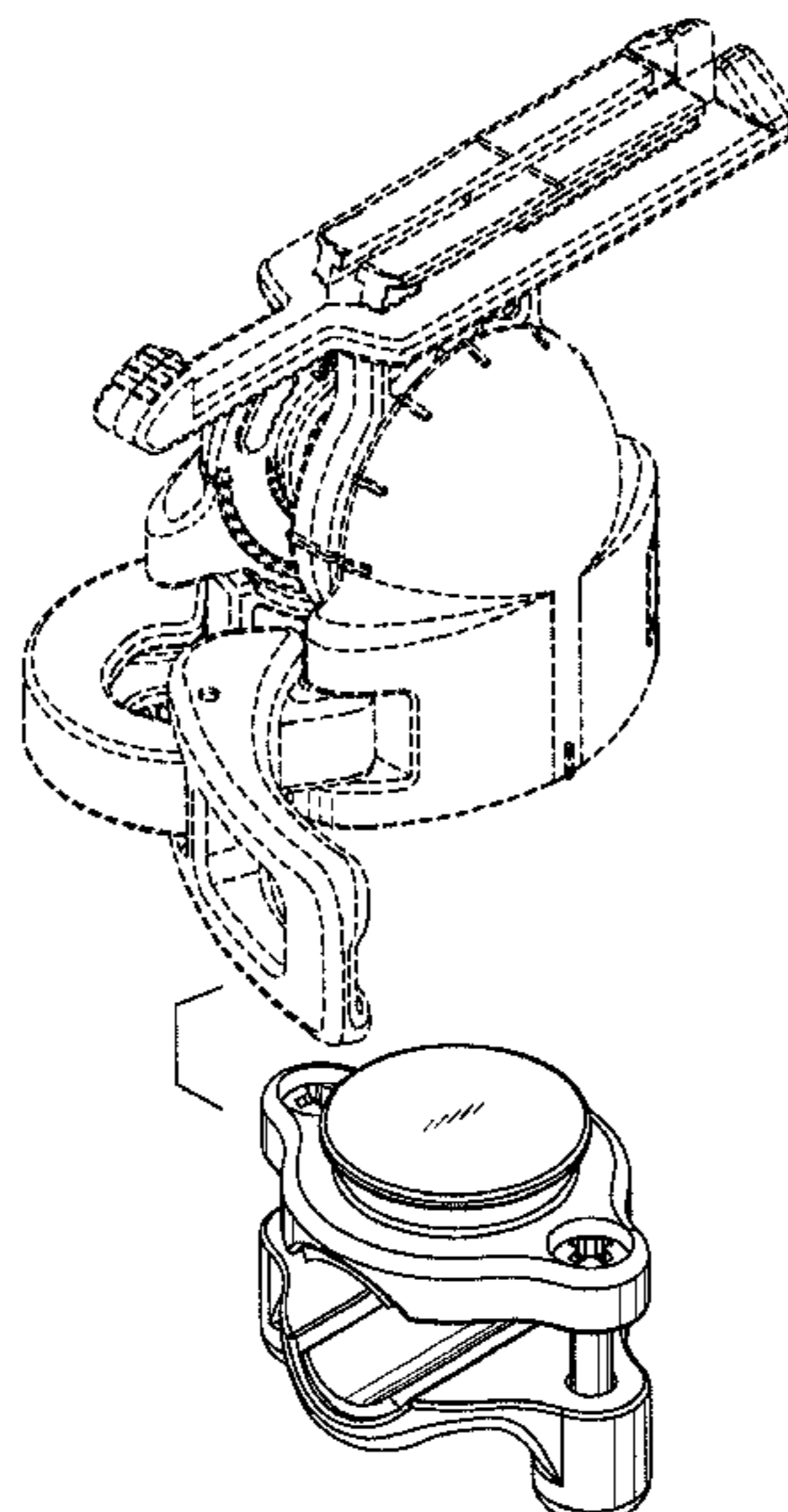
The ornamental design for a camera mount, as shown and described.

**DESCRIPTION**

FIG. 1 is a top, front, and right side perspective view of a camera mount showing our new design;  
FIG. 2 is a top plan view thereof;  
FIG. 3 is a left side elevation view thereof;  
FIG. 4 is a front elevation view thereof;  
FIG. 5 is a right side elevation view thereof;  
FIG. 6 is a rear elevation view thereof; and,  
FIG. 7 is a bottom view thereof.

The broken lines showing in FIGS. 1-7 depict environmental subject matter and form no part of the claimed design.

**1 Claim, 2 Drawing Sheets**



(56)

References Cited

U.S. PATENT DOCUMENTS

D436,028 S \* 1/2001 Wagner et al. .... D8/396  
 6,377,302 B1 4/2002 Ozaki et al.  
 6,421,088 B1 7/2002 Lee  
 D467,605 S \* 12/2002 Dordick ..... D16/242  
 D475,385 S \* 6/2003 Christianson ..... D16/202  
 D483,788 S \* 12/2003 Dordick ..... D16/242  
 D484,168 S \* 12/2003 Dordick ..... D16/242  
 6,704,044 B1 3/2004 Foster et al.  
 6,819,354 B1 11/2004 Foster et al.  
 D506,489 S 6/2005 Owada  
 D510,374 S 10/2005 Greenwood et al.  
 D516,416 S \* 3/2006 Friedline et al. .... D8/380  
 D516,903 S \* 3/2006 Friedline et al. .... D8/380  
 D536,607 S \* 2/2007 Bekkevold ..... D8/396  
 D537,939 S \* 3/2007 Phillips et al. .... D24/135  
 D547,346 S 7/2007 Ollila  
 7,273,321 B2 9/2007 Woodman  
 D558,805 S 1/2008 Sadatsuki  
 7,330,511 B2 2/2008 Maltagliati et al.  
 7,353,086 B2 4/2008 Ennis  
 D576,658 S 9/2008 Speggiorin  
 D581,959 S 12/2008 Chan  
 7,458,736 B2 12/2008 Woodman  
 D584,604 S \* 1/2009 Baldwin ..... D8/396  
 D591,325 S 4/2009 Dordick  
 7,522,834 B2 4/2009 Heaven et al.  
 D592,231 S 5/2009 Schnell  
 D592,235 S 5/2009 Bryant et al.  
 D596,658 S 7/2009 Dordick  
 D599,478 S \* 9/2009 Bizup et al. .... D24/128  
 D600,736 S \* 9/2009 Zen ..... D16/242  
 D603,442 S 11/2009 Dordick  
 7,658,556 B2 2/2010 Johnson  
 7,661,891 B2 2/2010 Heibel  
 D616,006 S 5/2010 Green et al.  
 7,753,599 B2 7/2010 Segawa et al.  
 D621,435 S 8/2010 Green et al.  
 D628,225 S \* 11/2010 Deurwaarder ..... D16/203  
 D629,440 S \* 12/2010 Newman ..... D16/242  
 D630,238 S 1/2011 Fukuma et al.  
 D638,459 S \* 5/2011 Park ..... D16/203  
 D640,304 S 6/2011 Green et al.  
 D640,722 S 6/2011 Green et al.  
 D643,057 S 8/2011 Mendoza et al.  
 8,014,656 B2 9/2011 Woodman  
 D646,315 S 10/2011 Orf  
 D649,175 S \* 11/2011 Willis ..... D16/242  
 8,079,501 B2 12/2011 Woodman  
 D653,692 S 2/2012 Dordick  
 8,120,651 B2 2/2012 Ennis  
 D662,120 S \* 6/2012 Deurwaarder ..... D16/203  
 D665,006 S 8/2012 Green et al.  
 2002/0001469 A1 \* 1/2002 Prather et al. .... 396/419

2002/0067920 A1 6/2002 Weng et al.  
 2003/0063200 A1 4/2003 Isoyama  
 2003/0128975 A1 7/2003 Shevick  
 2004/0004825 A1 1/2004 Malard et al.  
 2005/0206736 A1 9/2005 Ng et al.  
 2006/0055786 A1 3/2006 Ollila  
 2006/0274171 A1 12/2006 Wang  
 2007/0111754 A1 5/2007 Marshall et al.  
 2007/0152116 A1 \* 7/2007 Madsen ..... 248/181.1  
 2009/0109292 A1 4/2009 Ennis  
 2011/0280540 A1 11/2011 Woodman

FOREIGN PATENT DOCUMENTS

DE 20 2004 001 608 U1 6/2004  
 EP 0 917 359 A1 5/1999  
 EP 0980181 2/2000  
 EP 1 944 965 A1 7/2008  
 JP 61-118076 6/1986  
 JP 08-223524 8/1996  
 WO WO 94/26061 11/1994  
 WO WO 96/38004 11/1996  
 WO WO 2007/077759 A1 7/2007

OTHER PUBLICATIONS

Austrian Patent Office, Search and Opinion on Legal Validity, Aug. 3, 2010 (German language version and English translation).  
 Supplemental Search Report from the European Patent Office concerning European Patent Application No. 08782542.8 assigned to assignee of subject application.  
 English language machine translation of JP 08-223524 (Reference BM).  
 Drawing of subject matter of a photograph of a Midlandradio goggle mount for a camera. The photograph was taken at the CES Trade Show, Jan. 2010. This corresponds with reference BT.  
 Drawing of subject matter of a photograph of a Midlandradio goggle mount for a camera with a plug mount inserted into the goggle mount and with a camera showing in the foreground. The photograph was taken at the CES Trade Show, Jan. 2010. This corresponds with reference BU.  
 Drawing of subject matter from a print out from an Internet website: [https://www.midlandradio.com/Resource\\_/Product/1390/Detail/LargeImage/Goggle%20Mou . . .](https://www.midlandradio.com/Resource_/Product/1390/Detail/LargeImage/Goggle%20Mou...), Oct. 18, 2010. This corresponds with reference BV.  
 May 4, 2011 Written Opinion concerning Singapore Patent Application No. 20100010-4 assigned to assignee of the subject application. Office action dated Nov. 24, 2011 issued by the Chinese Patent Office for Chinese Patent Application No. 200880109237.6 assigned to assignee of the subject application.  
 Co-pending U.S. Appl. No. 29/423,856, filed Jun. 5, 2012.  
 Co-pending U.S. Appl. No. 29/422,605, filed May 22, 2012.

\* cited by examiner

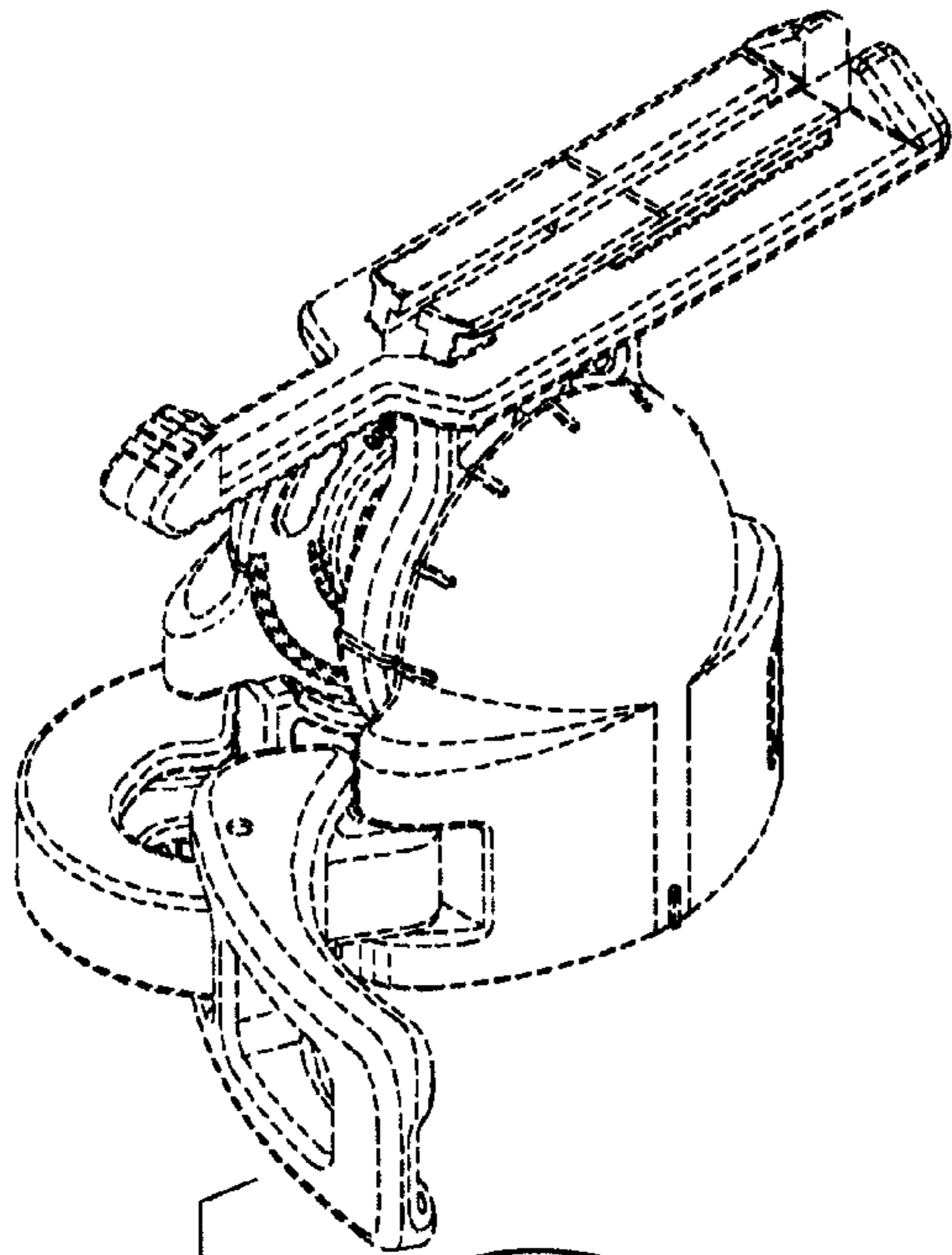


FIG. 1

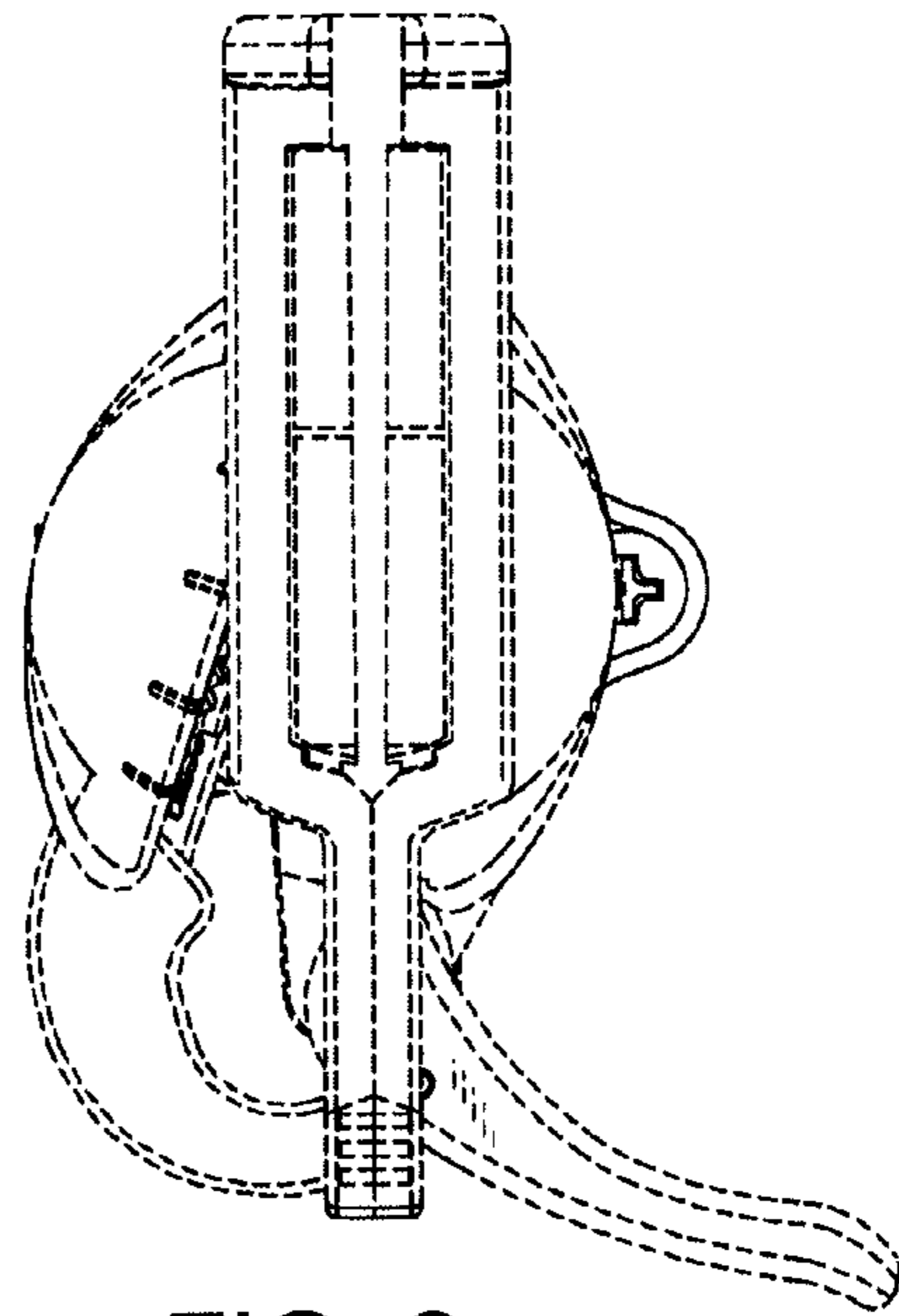


FIG. 2

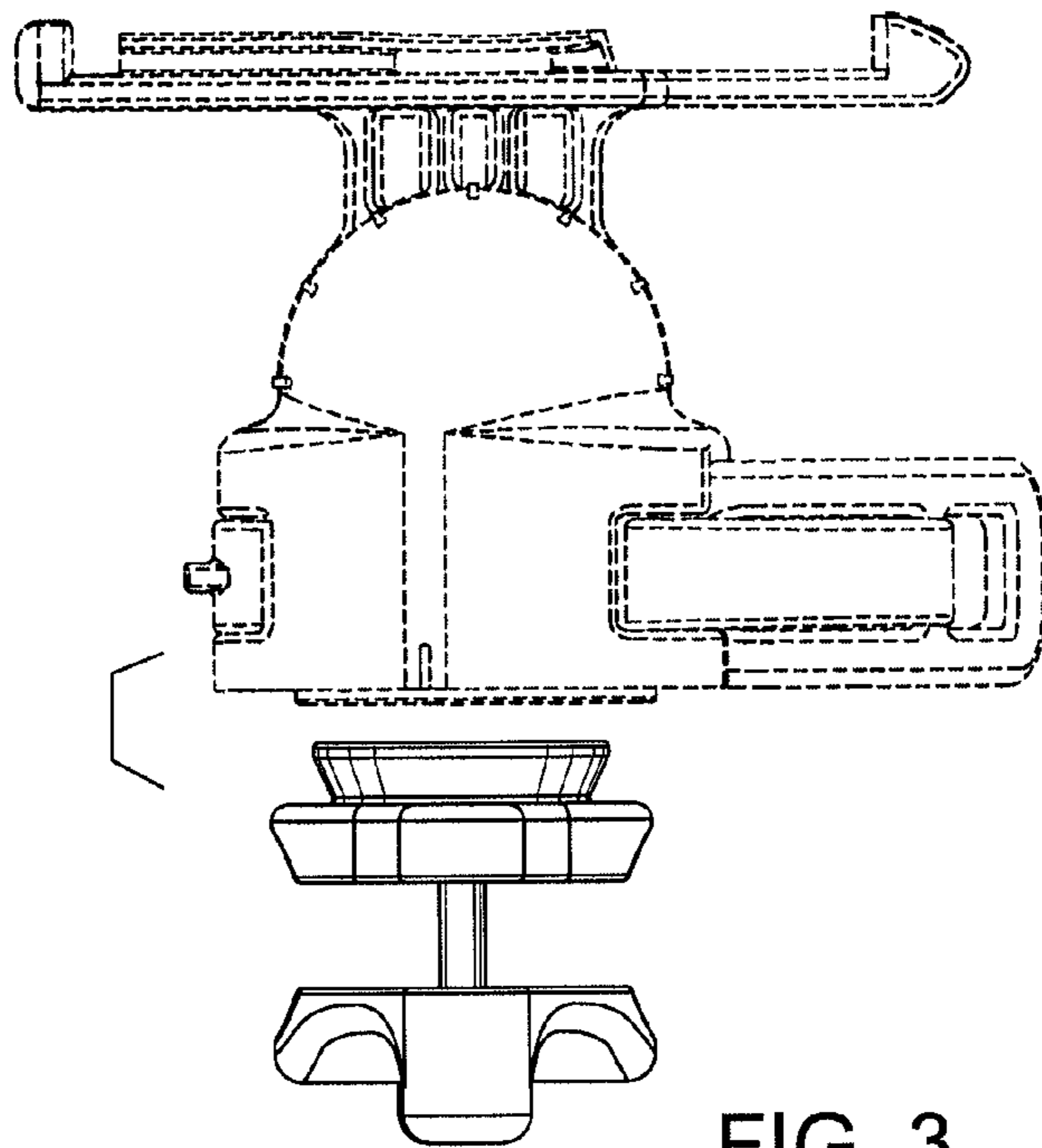
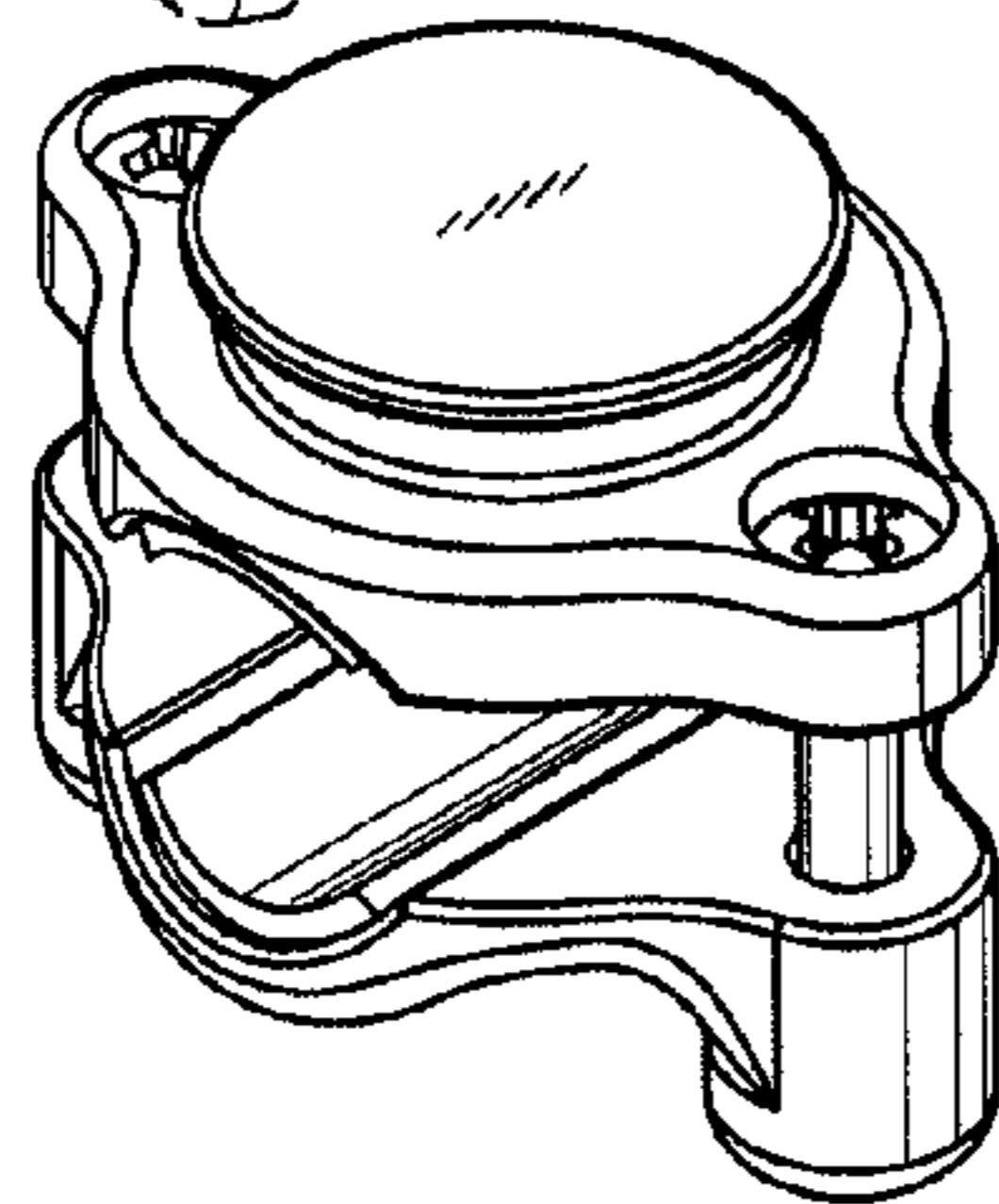


FIG. 3

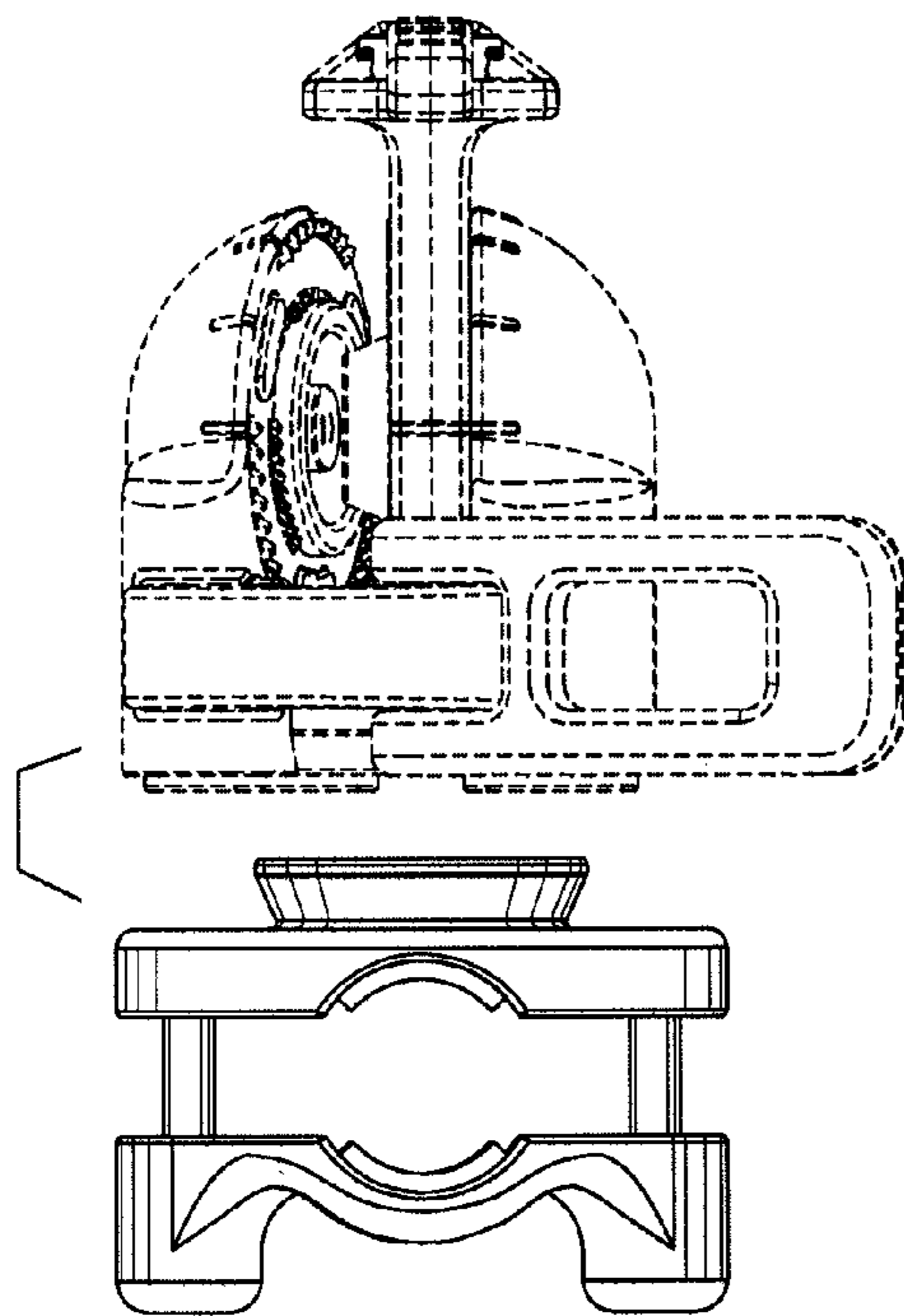


FIG. 4

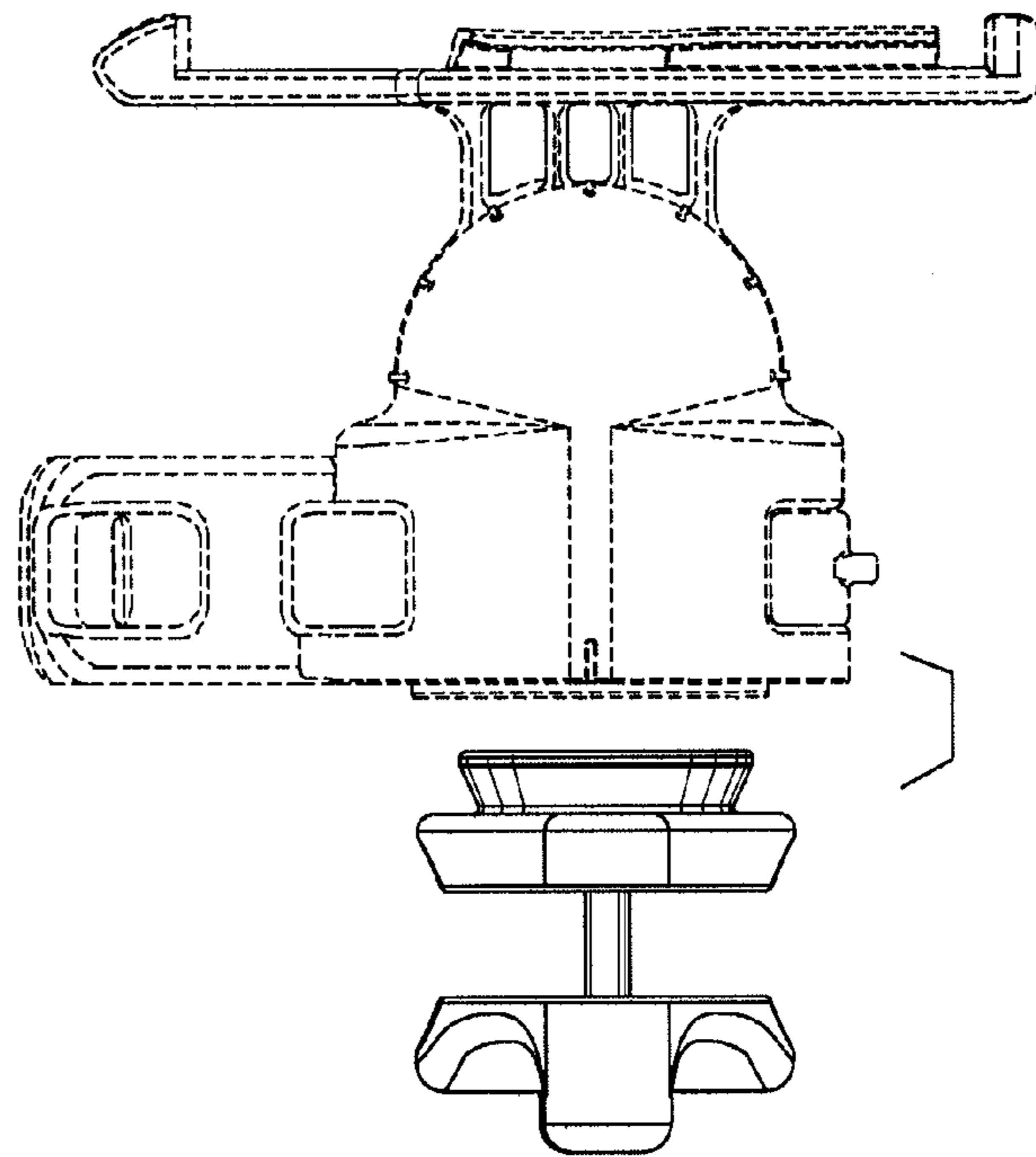


FIG. 5

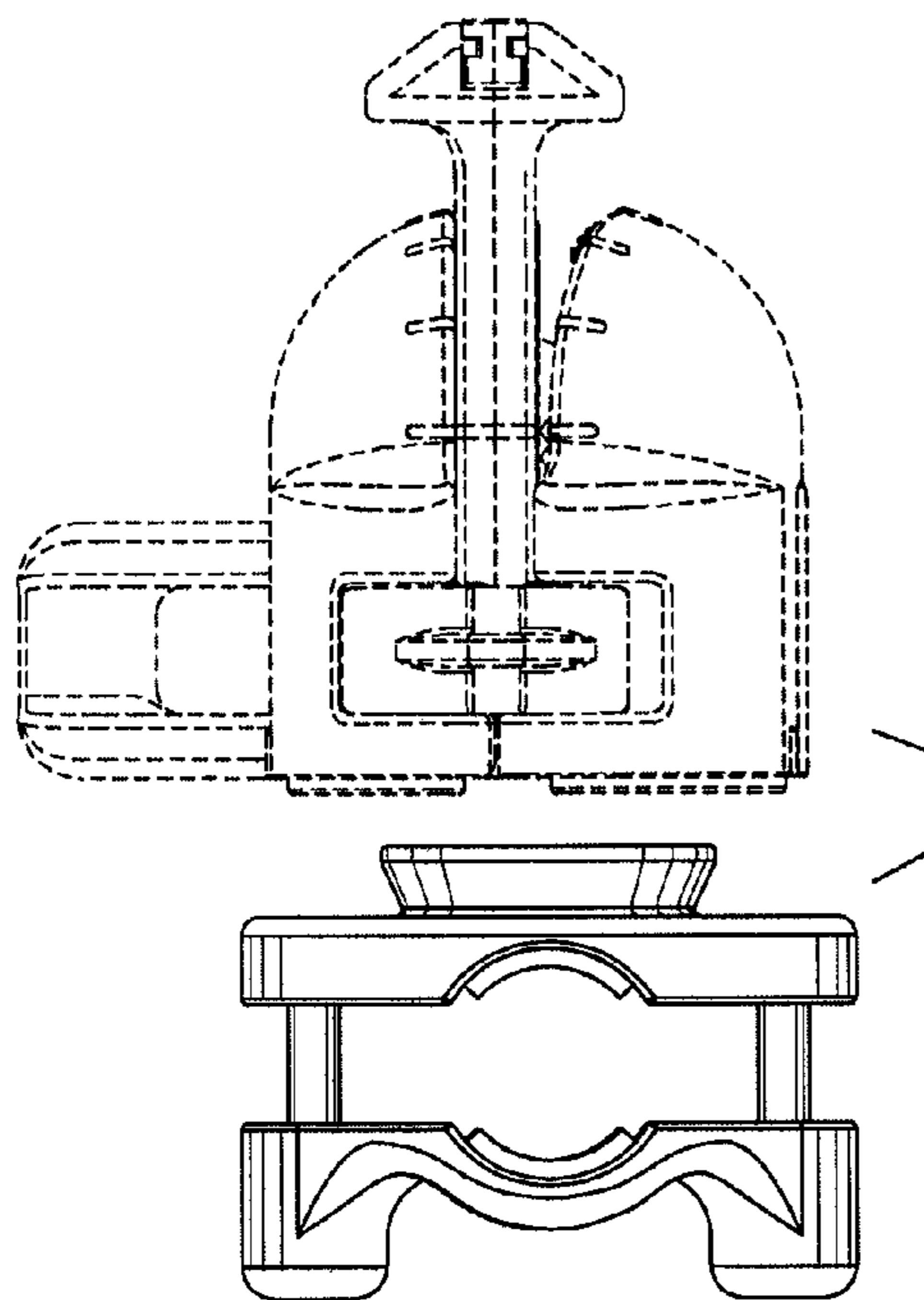


FIG. 6

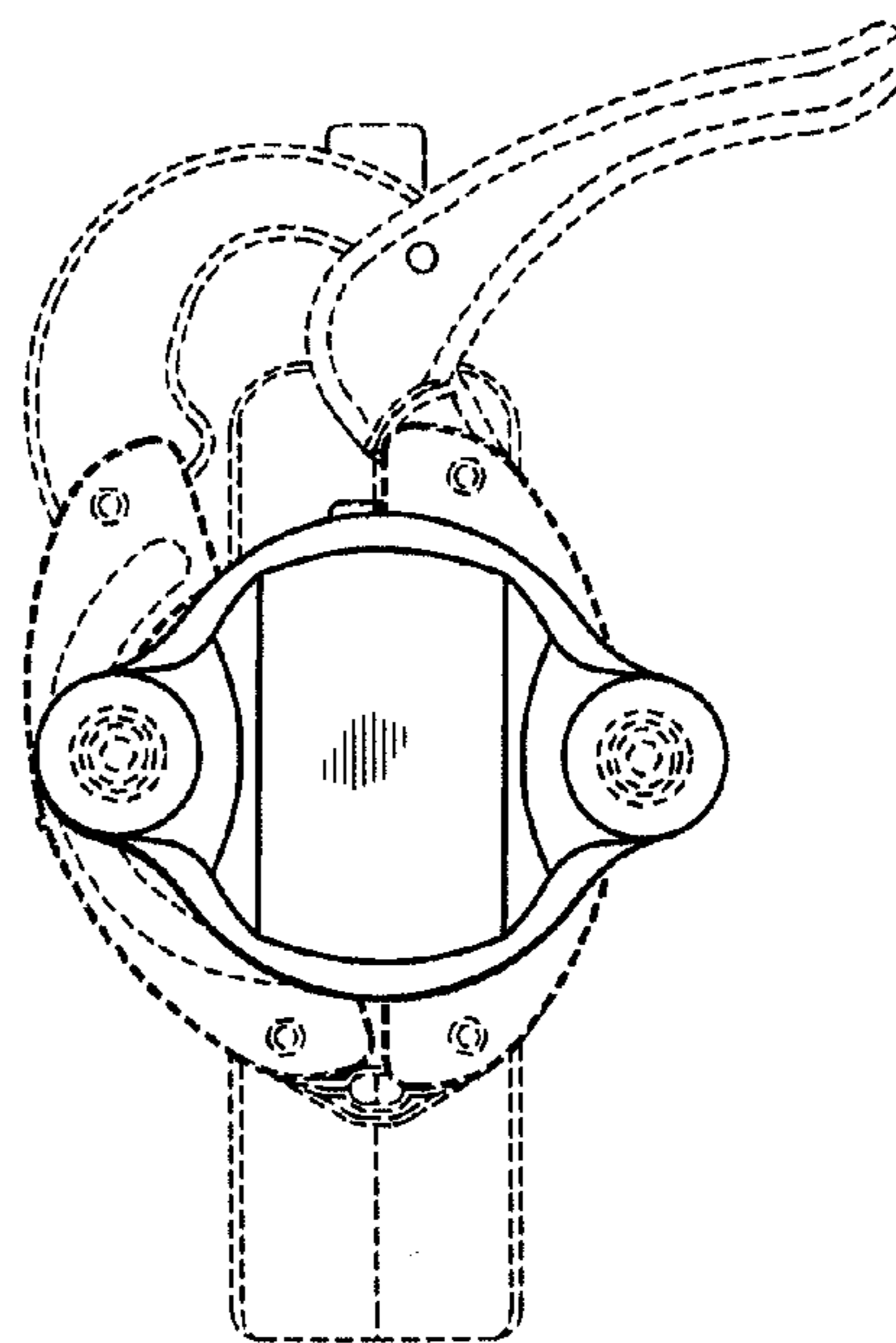


FIG. 7