



US00D705337S

(12) **United States Design Patent**
Tani

(10) **Patent No.:** **US D705,337 S**

(45) **Date of Patent:** **** May 20, 2014**

(54) **CAMERA**

(71) Applicant: **Panasonic Corporation**, Kadoma (JP)

(72) Inventor: **Atsushi Tani**, Fukuoka (JP)

(73) Assignee: **Panasonic Corporation**, Osaka (JP)

(**) Term: **14 Years**

(21) Appl. No.: **29/451,042**

(22) Filed: **Mar. 27, 2013**

(51) **LOC (10) Cl.** **16-05**

(52) **U.S. Cl.**
USPC **D16/219**

(58) **Field of Classification Search**
CPC G03B 17/02; G03B 19/04; G03B 17/56;
G03B 17/04; G03B 15/03; H04N 5/2251;
H04N 5/2252; H04N 5/2253; H04N 5/2254;
H04N 2101/00; H04N 2007/145; H04N 7/141;
H04N 7/142; H04N 7/147; H04N 7/148;
H04N 7/15; H04N 7/152
USPC D16/200, 202–204, 206–208, 218, 219,
D16/242; D12/193, 400; 248/187.1;
348/14.01–14.6, 143, 148, 151,
348/373–376; 396/419, 427, 428, 535,
396/539–541

See application file for complete search history.

(56) **References Cited**

U.S. PATENT DOCUMENTS

D349,907	S	*	8/1994	Allmendinger	D16/202
D390,858	S	*	2/1998	Wen	D16/202
D450,738	S		11/2001	Rak		
D550,739	S		9/2007	Deng		
7,382,412	B2	*	6/2008	Ahn et al.	348/373
D624,106	S		9/2010	Cho et al.		
D629,031	S	*	12/2010	Su et al.	D16/202
D631,497	S	*	1/2011	Han et al.	D16/202
D641,388	S	*	7/2011	Shih et al.	D16/202
8,054,378	B2	*	11/2011	Kao	348/373
8,593,567	B2	*	11/2013	Xiao	348/373
2013/0010053	A1	*	1/2013	Daddi	348/14.08

* cited by examiner

Primary Examiner — Philip S Hyder
Assistant Examiner — Ramzi Almatrahi
(74) *Attorney, Agent, or Firm* — Brinks Gilson & Lione

(57) **CLAIM**

I claim the ornamental design for a camera, as shown and described.

DESCRIPTION

FIG. 1 is a top perspective view of a camera of the present invention;
FIG. 2 is a front view thereof;
FIG. 3 is a rear view thereof;
FIG. 4 is a top view thereof;
FIG. 5 is a bottom view thereof;
FIG. 6 is a left side view thereof; and,
FIG. 7 is a right side view thereof.
The broken lines shown represent unclaimed subject matter and form no part of the claimed design.

1 Claim, 4 Drawing Sheets

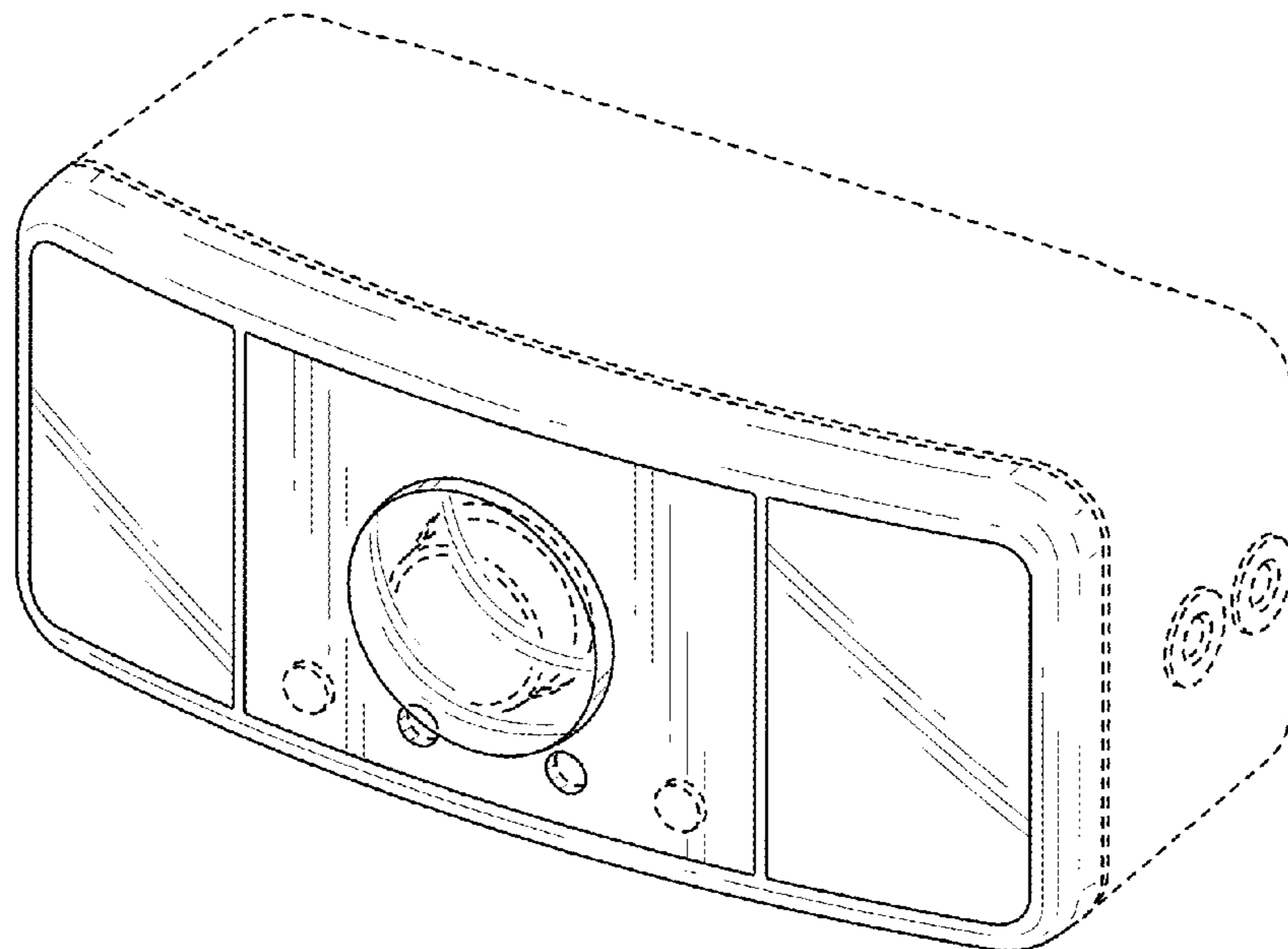


FIG. 1

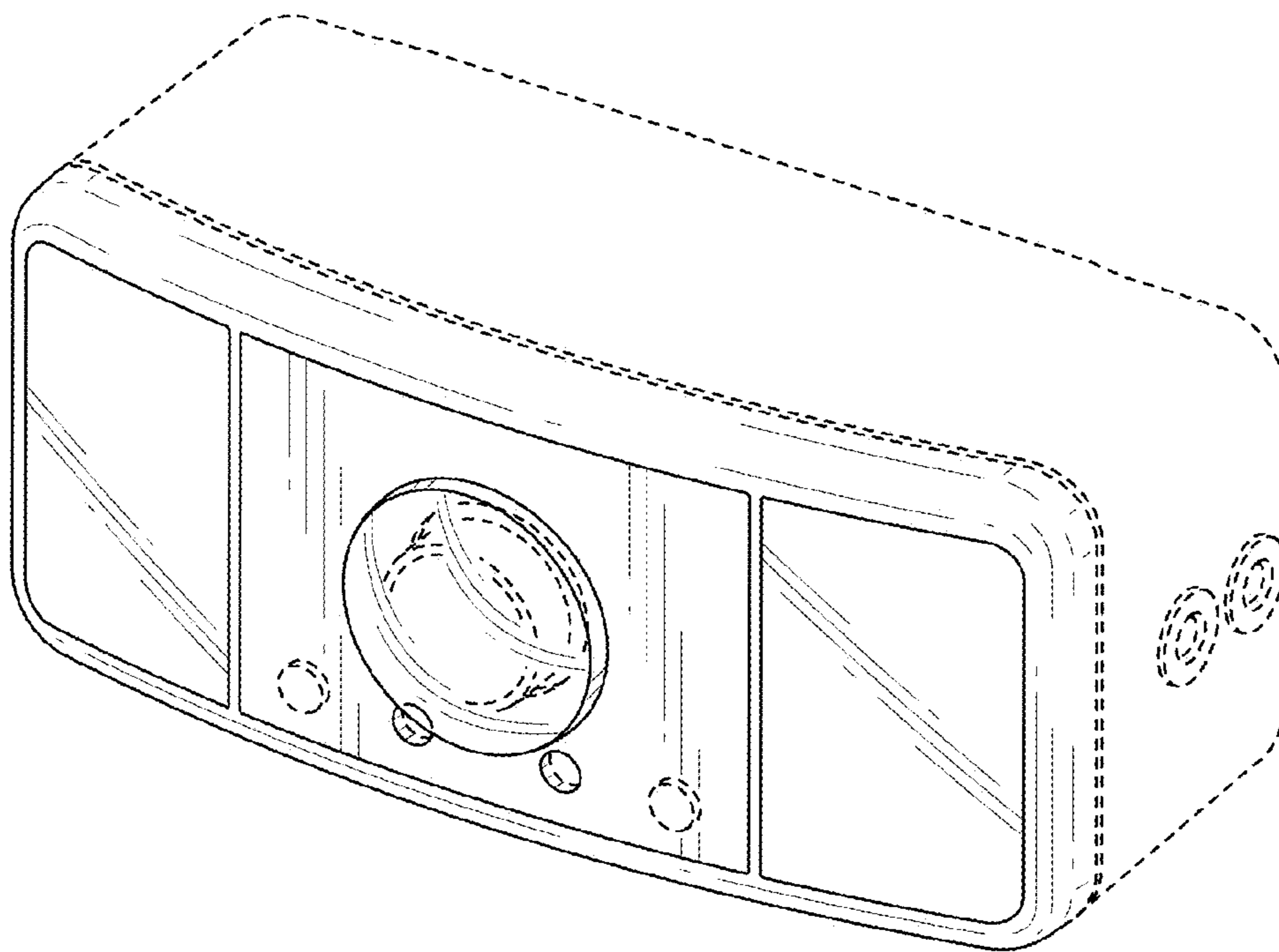


FIG. 2.

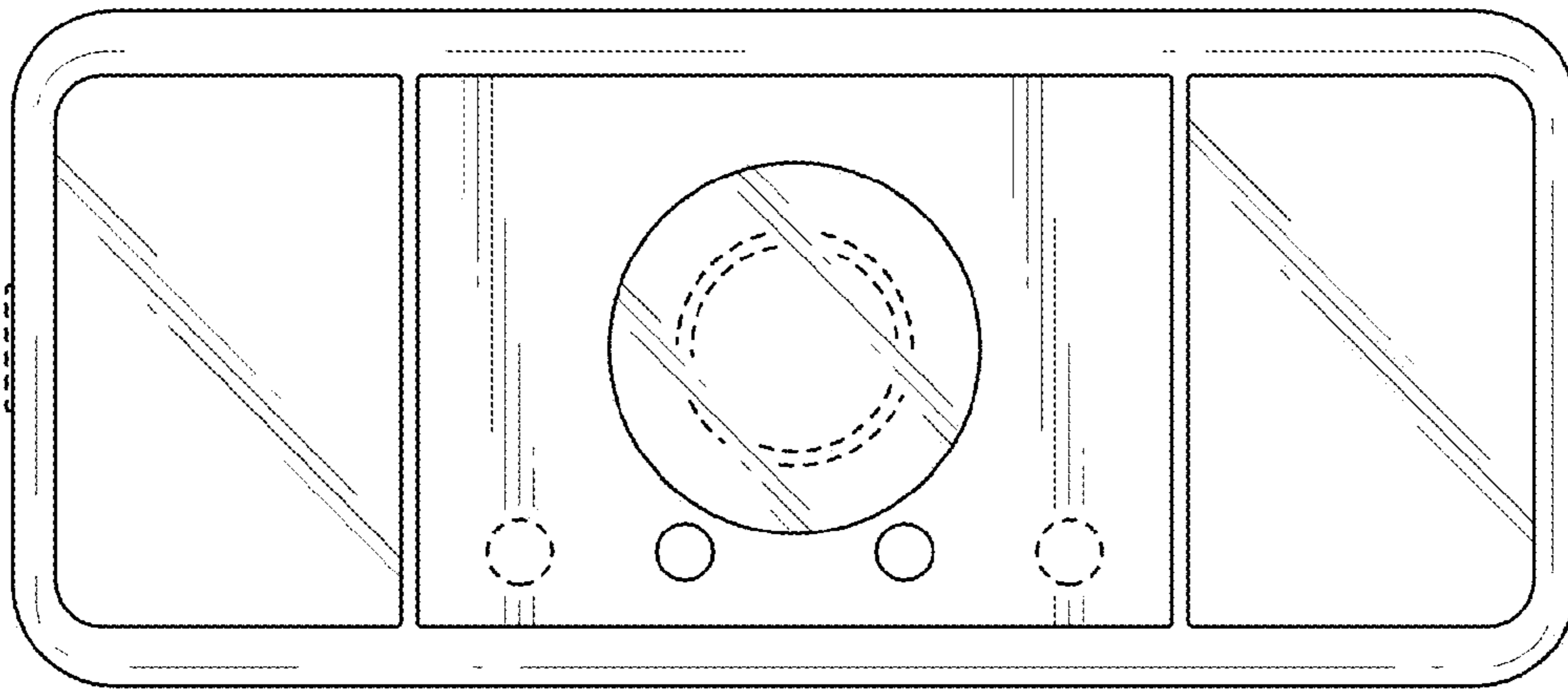


FIG. 3

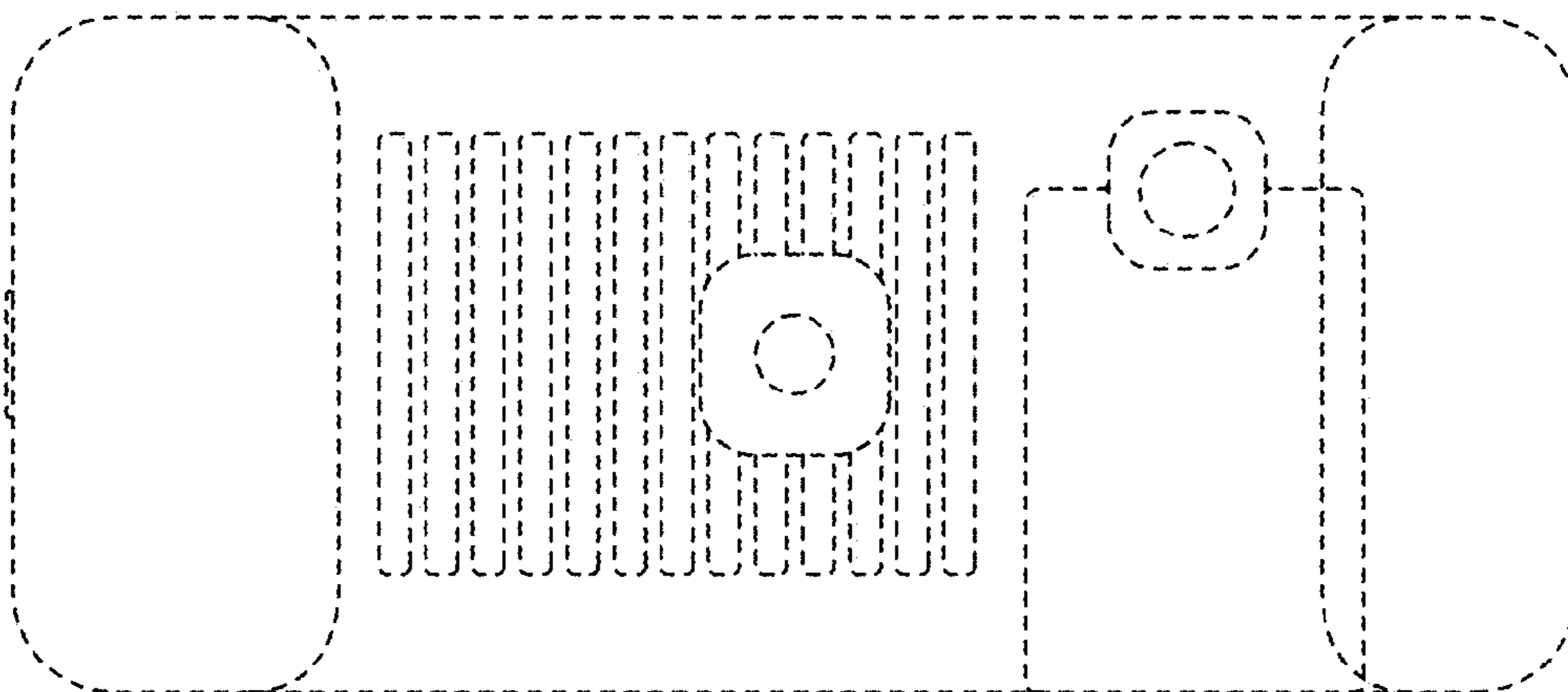


FIG. 4

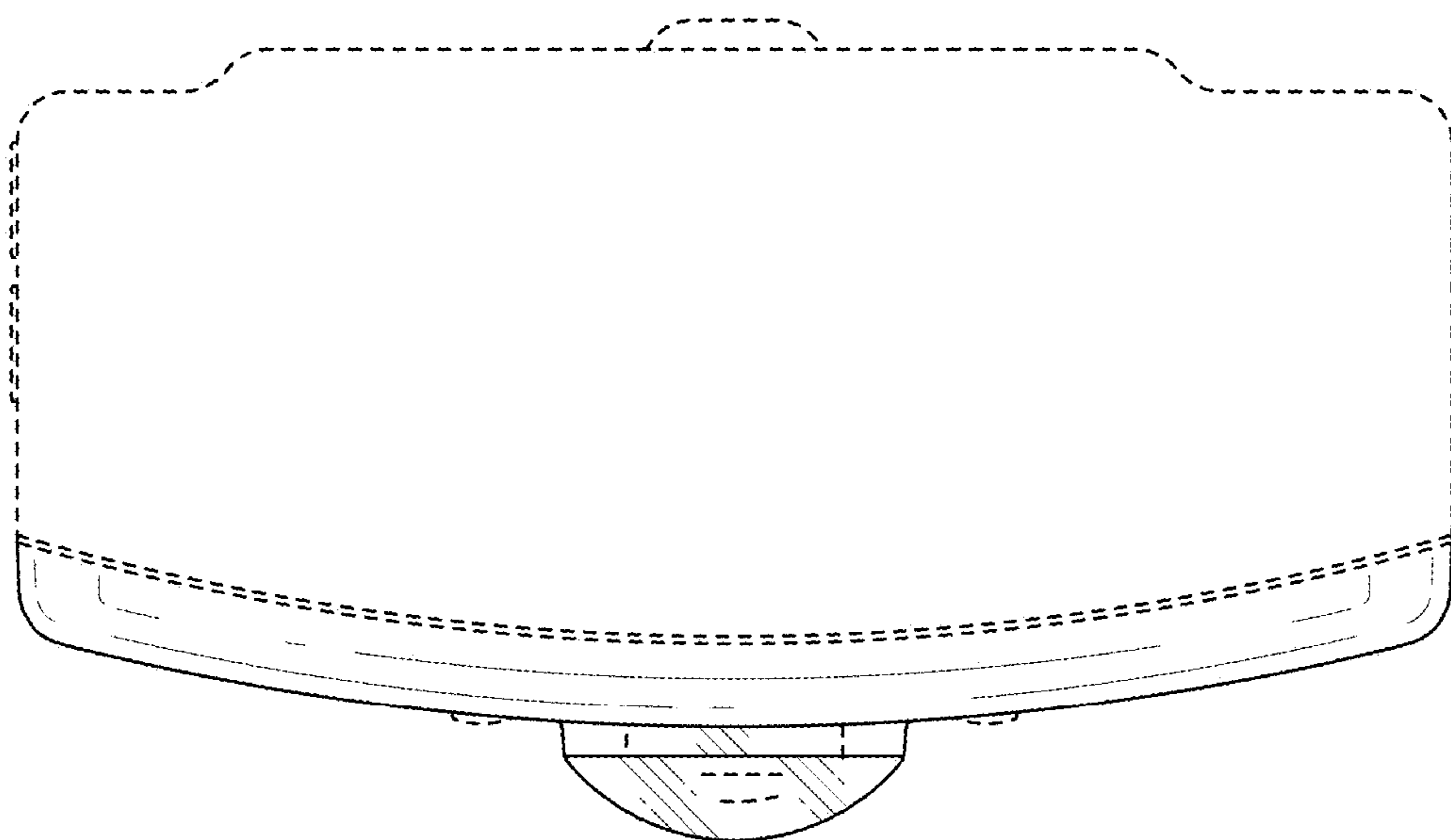


FIG. 5

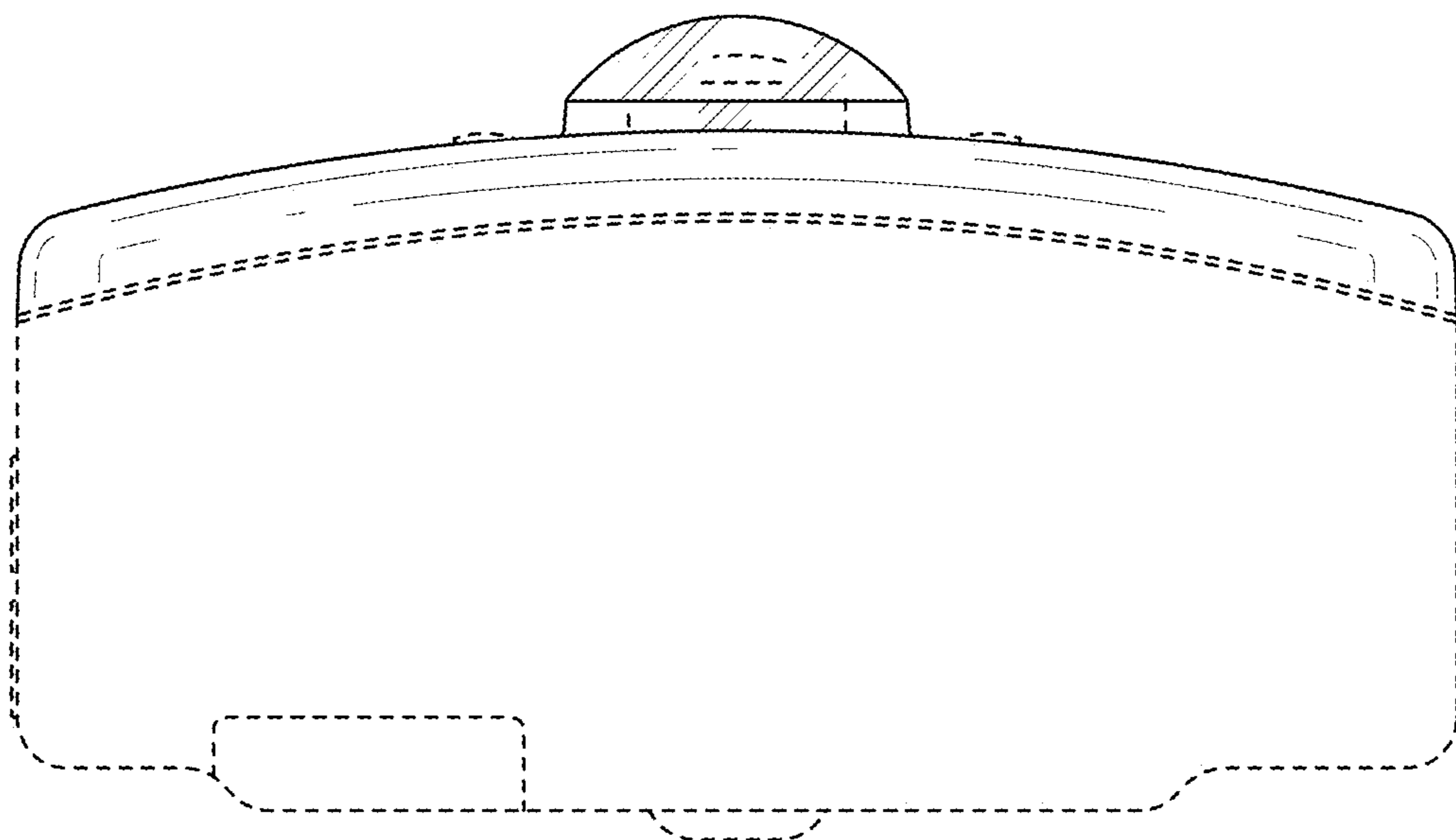


FIG. 6

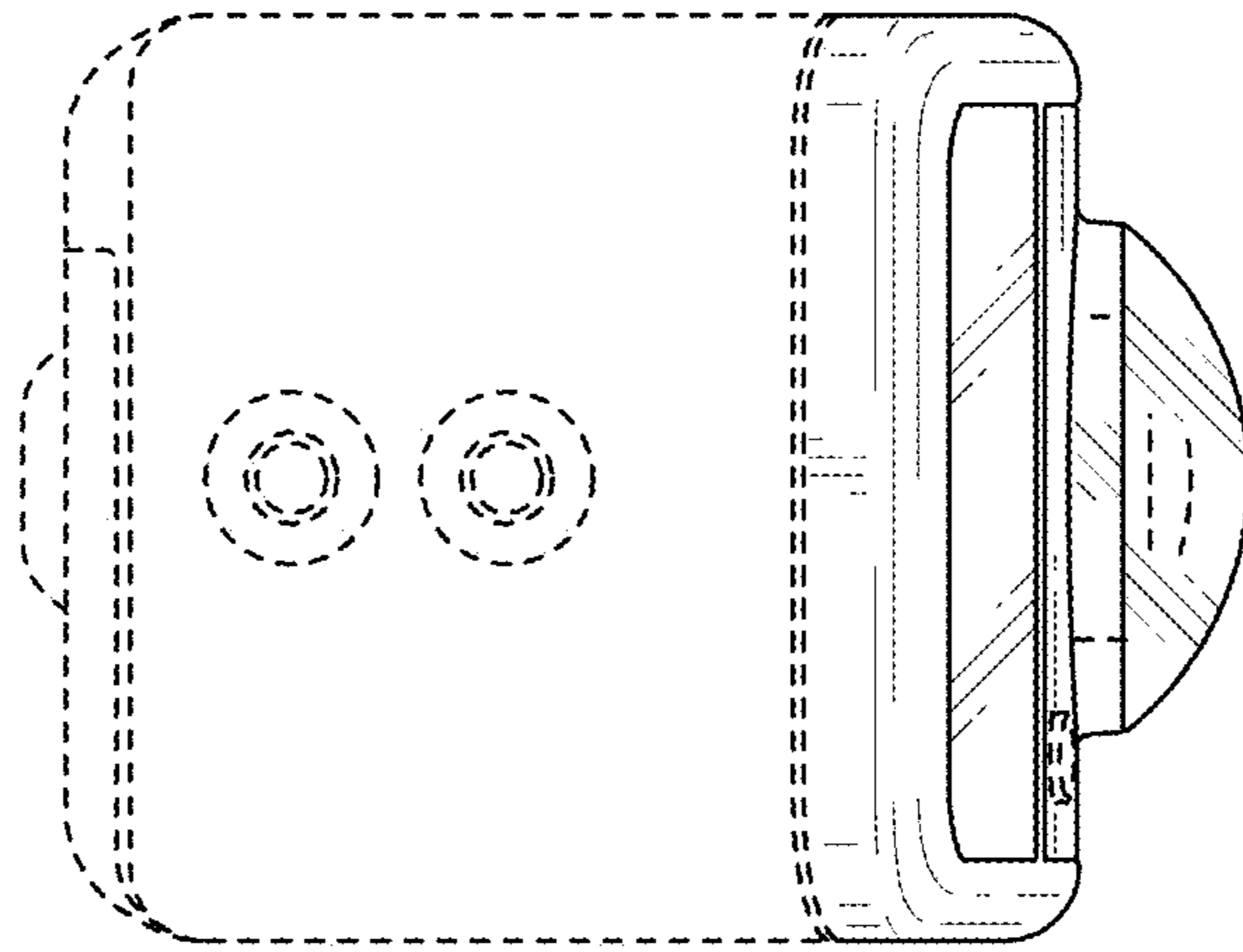


FIG. 7

