



US00D705336S

(12) **United States Design Patent**
Sadatsuki

(10) **Patent No.:** **US D705,336 S**

(45) **Date of Patent:** **** May 20, 2014**

(54) **VIDEO CAMERA**

(75) Inventor: **Koichi Sadatsuki**, Tokyo (JP)

(73) Assignee: **Sony Corporation**, Tokyo (JP)

(**) Term: **14 Years**

(21) Appl. No.: **29/421,296**

(22) Filed: **Jun. 27, 2012**

(30) **Foreign Application Priority Data**

Dec. 28, 2011	(CN)	2011 3 0502732
Dec. 28, 2011	(CN)	2011 3 0502832
Dec. 29, 2011	(CN)	2011 3 0504685
Jan. 4, 2012	(JP)	D2012-000019
Jan. 5, 2012	(JP)	D2012-000043

(51) **LOC (10) Cl.** **16-05**

(52) **U.S. Cl.**
USPC **D16/219**

(58) **Field of Classification Search**

CPC G03B 15/03; G03B 17/02; G03B 17/04;
G03B 17/30; G03B 17/56; G03B 19/04;
H04N 5/2251; H04N 5/2252; H04N 5/2253;
H04N 5/2254; H04N 5/2256; H04N 5/2354;
H04N 5/772

USPC D16/200, 202–206, 209, 218, 219, 220;
348/345, 371, 373–376; 358/906;
396/535–541

See application file for complete search history.

(56) **References Cited**

U.S. PATENT DOCUMENTS

D524,841	S	*	7/2006	Ikenaga	D16/219
D559,878	S	*	1/2008	Sadatsuki	D16/202
D586,374	S	*	2/2009	Kim	D16/202
D620,965	S	*	8/2010	Takagi	D16/219
D669,519	S	*	10/2012	Yoneda	D16/219
8,379,132	B2	*	2/2013	Takamatsu et al.	348/333.09
D687,477	S	*	8/2013	Yasutomi et al.	D16/219
D688,721	S	*	8/2013	Yoneda et al.	D16/219
D689,110	S	*	9/2013	Euihoon et al.	D16/202
D690,758	S	*	10/2013	Yasutomi et al.	D16/219

* cited by examiner

Primary Examiner — Adir Aronovich

Assistant Examiner — Ramzi Almatrahi

(74) *Attorney, Agent, or Firm* — Rader, Fishman & Grauer PLLC

(57) **CLAIM**

The ornamental design for a video camera, as shown and described.

DESCRIPTION

FIG. 1 is a perspective view of a video camera showing my new design; and,
FIG. 2 is a front elevational view thereof.
Portions shown as broken lines are for illustrative purposes only and form no part of the claimed design.

1 Claim, 2 Drawing Sheets

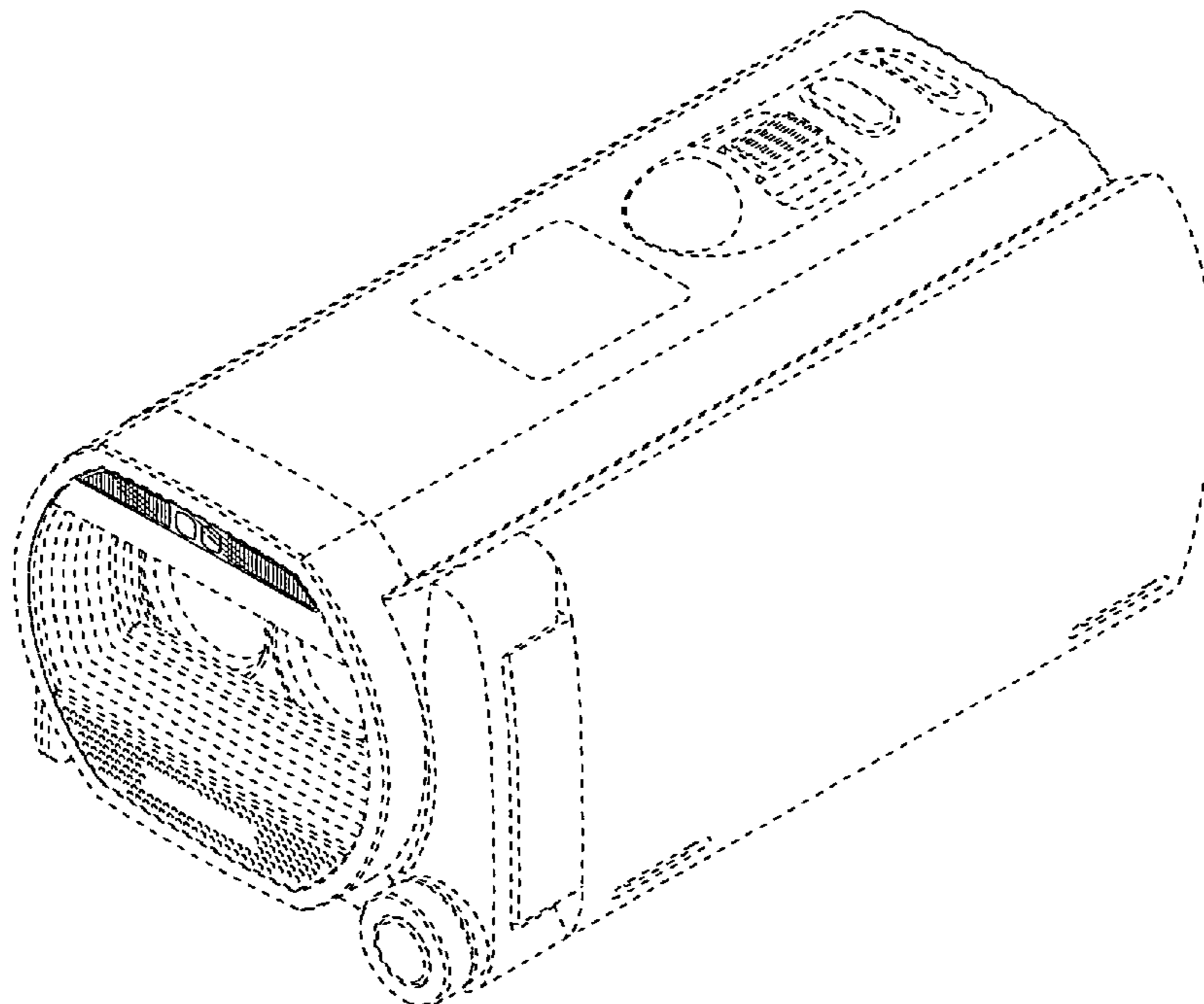


FIG.1

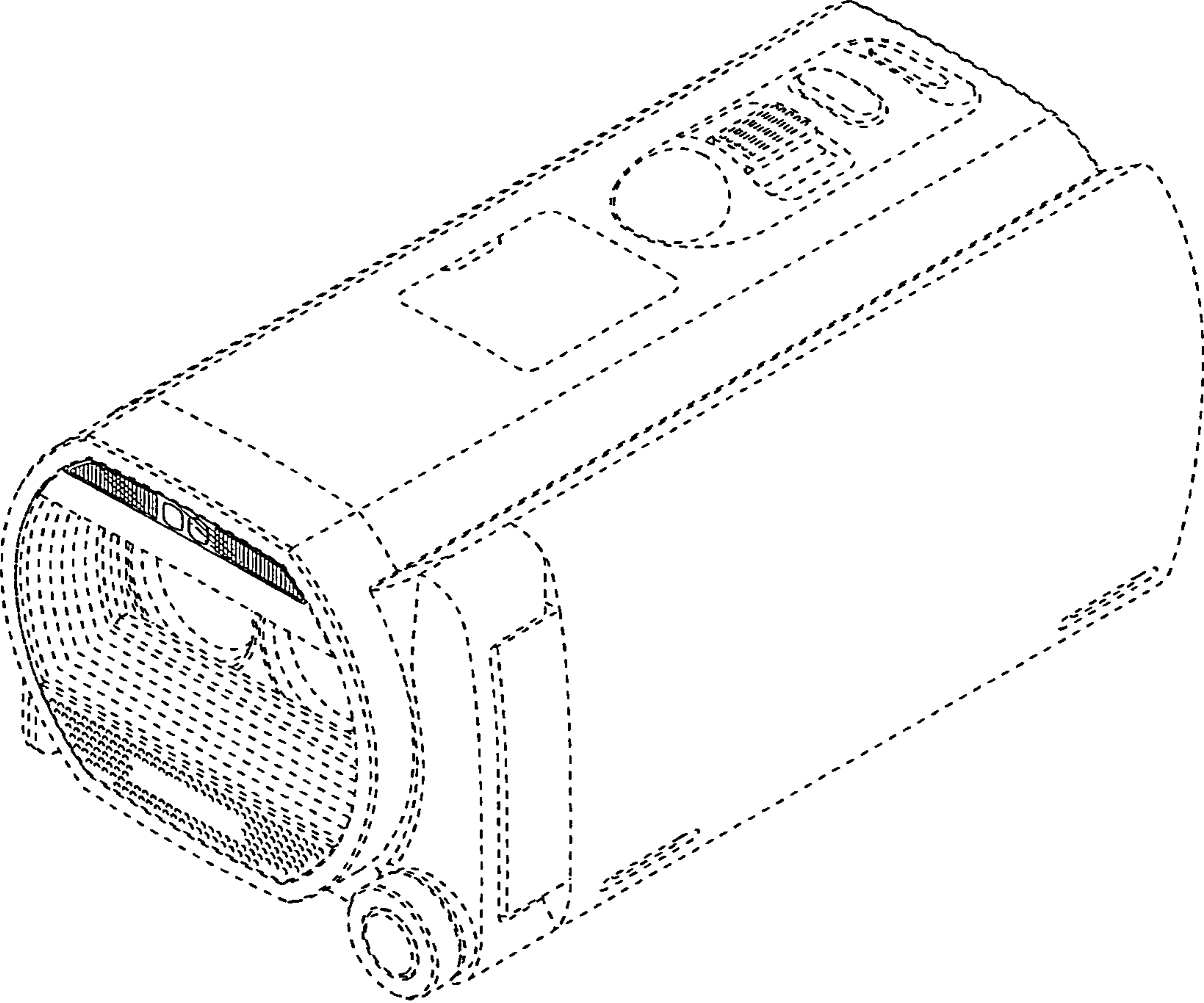


FIG.2

