



US00D705334S

(12) **United States Design Patent**
Fransson et al.

(10) **Patent No.:** **US D705,334 S**
(45) **Date of Patent:** **** May 20, 2014**

(54) **MONITORING CAMERA**

OTHER PUBLICATIONS

(75) Inventors: **Kent Fransson**, Malmo (SE); **Jesper Olavi**, Lund (SE); **Sven Svensson**, Furulund (SE)

Axis P5512/-E PTZ Dome Network Cameras, 2011 Axis Communications AB, www.axis.com.

* cited by examiner

(73) Assignee: **AXIS AB**, Lund (SE)

Primary Examiner — Adir Aronovich

(74) *Attorney, Agent, or Firm* — Volpe and Koenig, P.C.

(**) Term: **14 Years**

(57) **CLAIM**

(21) Appl. No.: **29/413,223**

The ornamental design for a monitoring camera, as shown and described.

(22) Filed: **Feb. 13, 2012**

DESCRIPTION

(51) **LOC (10) Cl.** **16-01**

(52) **U.S. Cl.**

USPC **D16/203**

(58) **Field of Classification Search**

USPC D16/200, 202, 203, 218, 219; 348/143, 348/151, 373-376; 396/427, 535-541

See application file for complete search history.

FIG. 1 is a bottom, front perspective view of a first embodiment of a monitoring camera in accordance with our design; FIG. 2 is a front elevational view thereof; FIG. 3 is a left side elevational view thereof; FIG. 4 is a rear elevational view thereof; FIG. 5 is a right side elevational view thereof; and FIG. 6 is a bottom plan view thereof; FIG. 7 is a top view thereof; FIG. 8 is a bottom, front perspective view of a second embodiment of a monitoring camera in accordance with our design; FIG. 9 is a front elevational view thereof; FIG. 10 is a left side elevational view thereof; FIG. 11 is a rear elevational view thereof; FIG. 12 right side elevational view thereof; and FIG. 13 is a bottom plan view thereof; and FIG. 14 is a top view thereof.

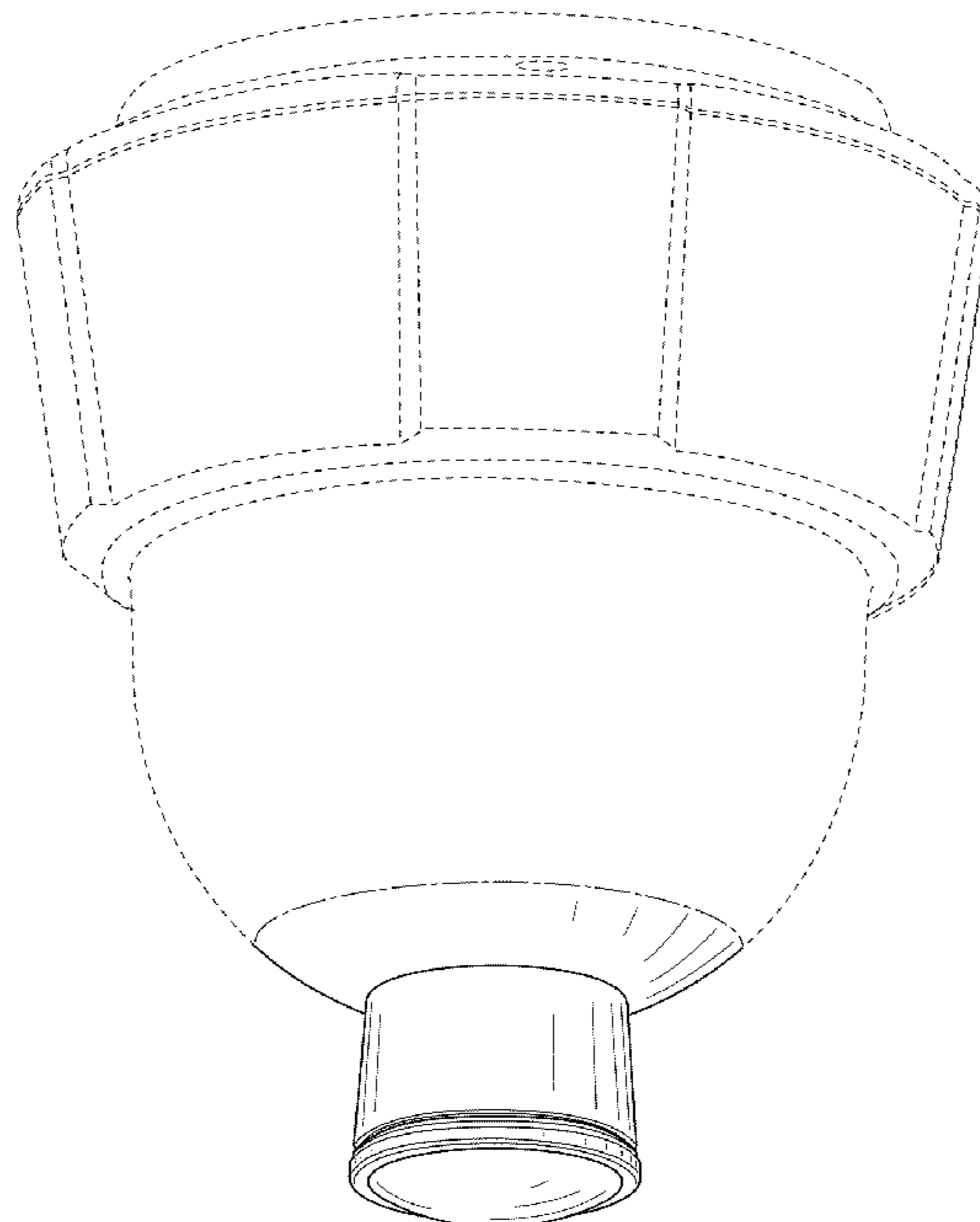
The broken lines shown form no part of the claimed design.

(56) **References Cited**

U.S. PATENT DOCUMENTS

5,649,256	A	*	7/1997	Wen	396/427
D435,576	S	*	12/2000	McBride	D16/203
D435,577	S	*	12/2000	McBride	D16/203
D473,887	S	*	4/2003	Jones et al.	D16/203
D576,195	S	*	9/2008	Grotto	D16/203
D615,115	S	*	5/2010	Arnold et al.	D16/203

1 Claim, 14 Drawing Sheets



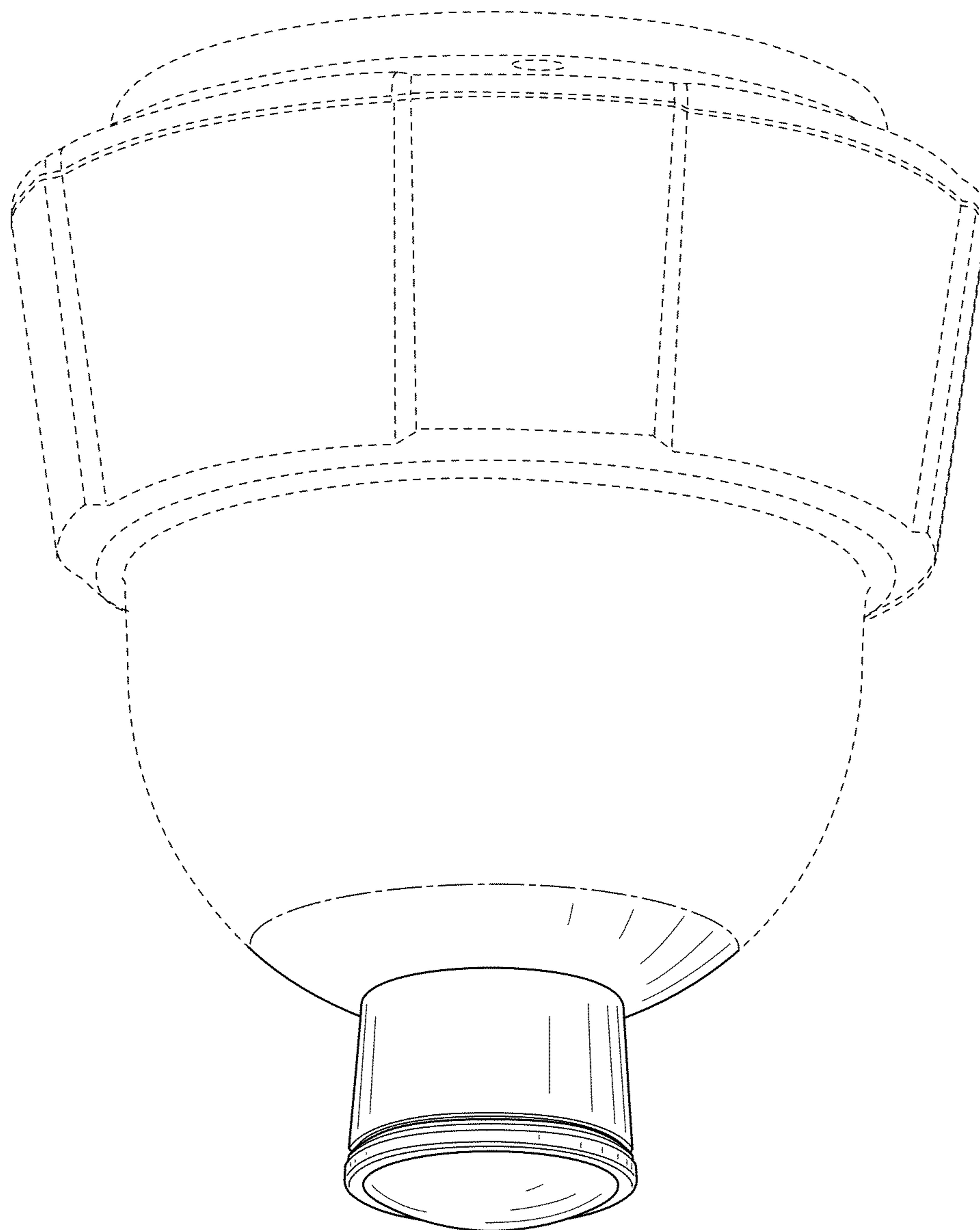


Fig. 1

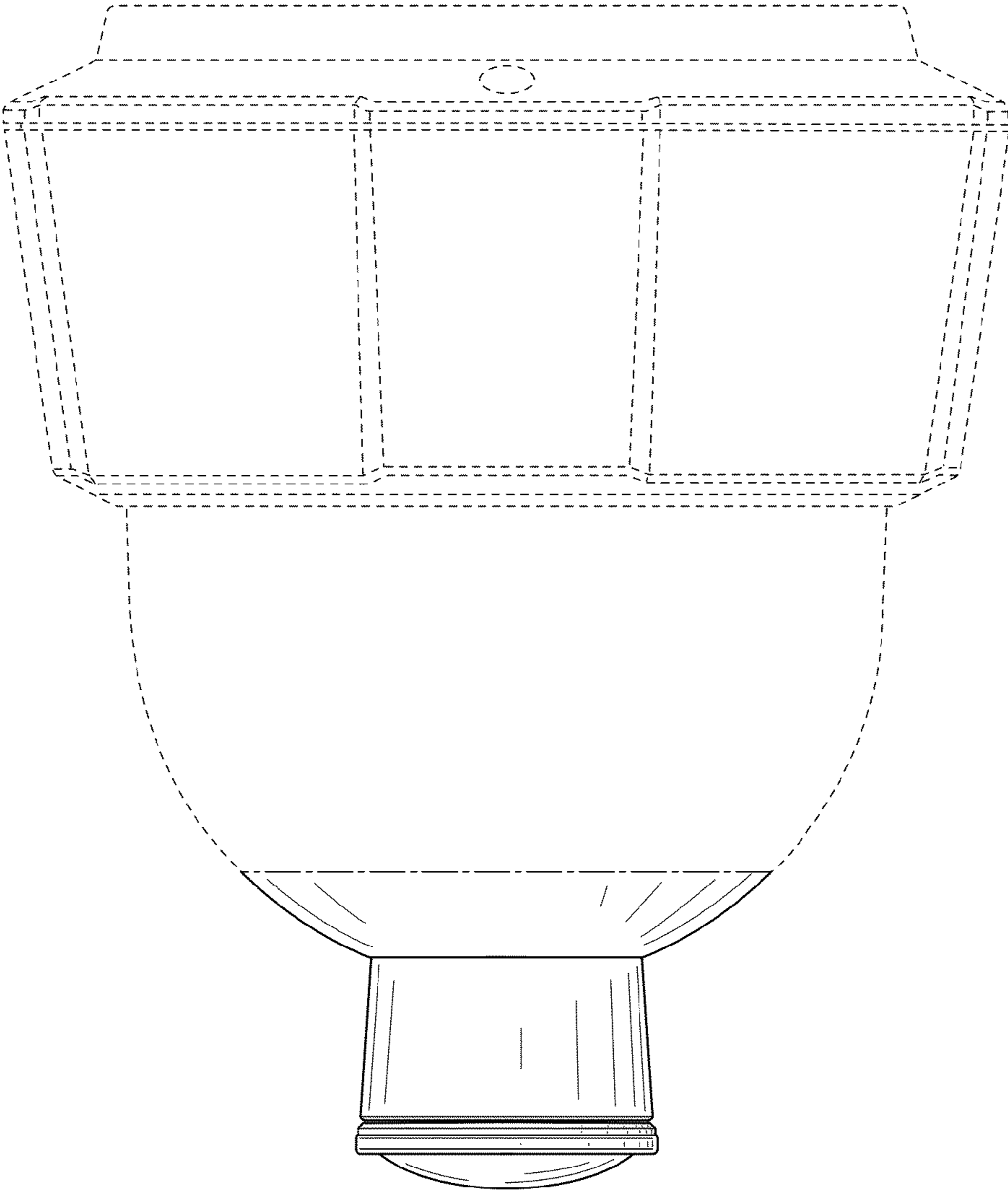


Fig. 2

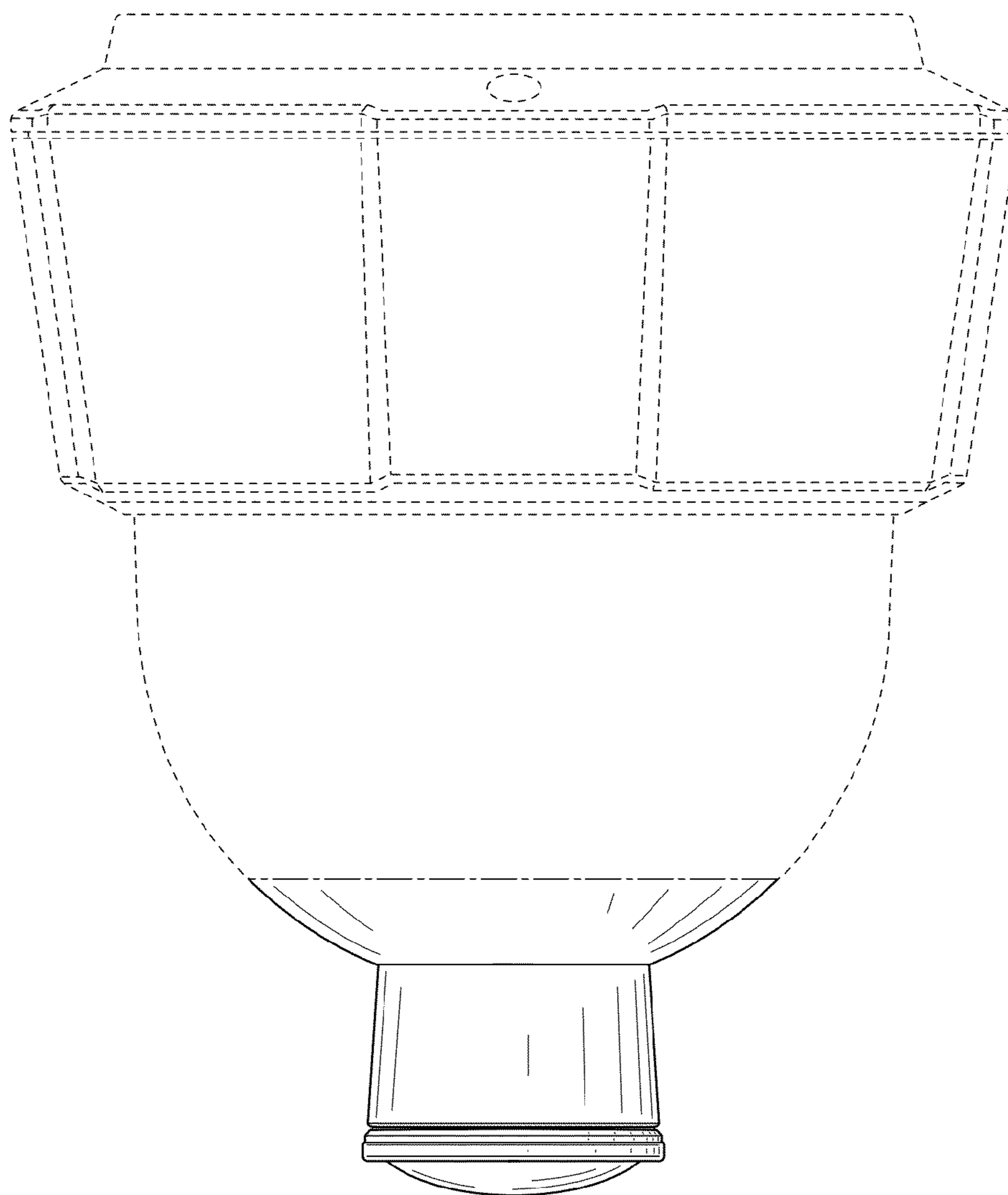


Fig. 3

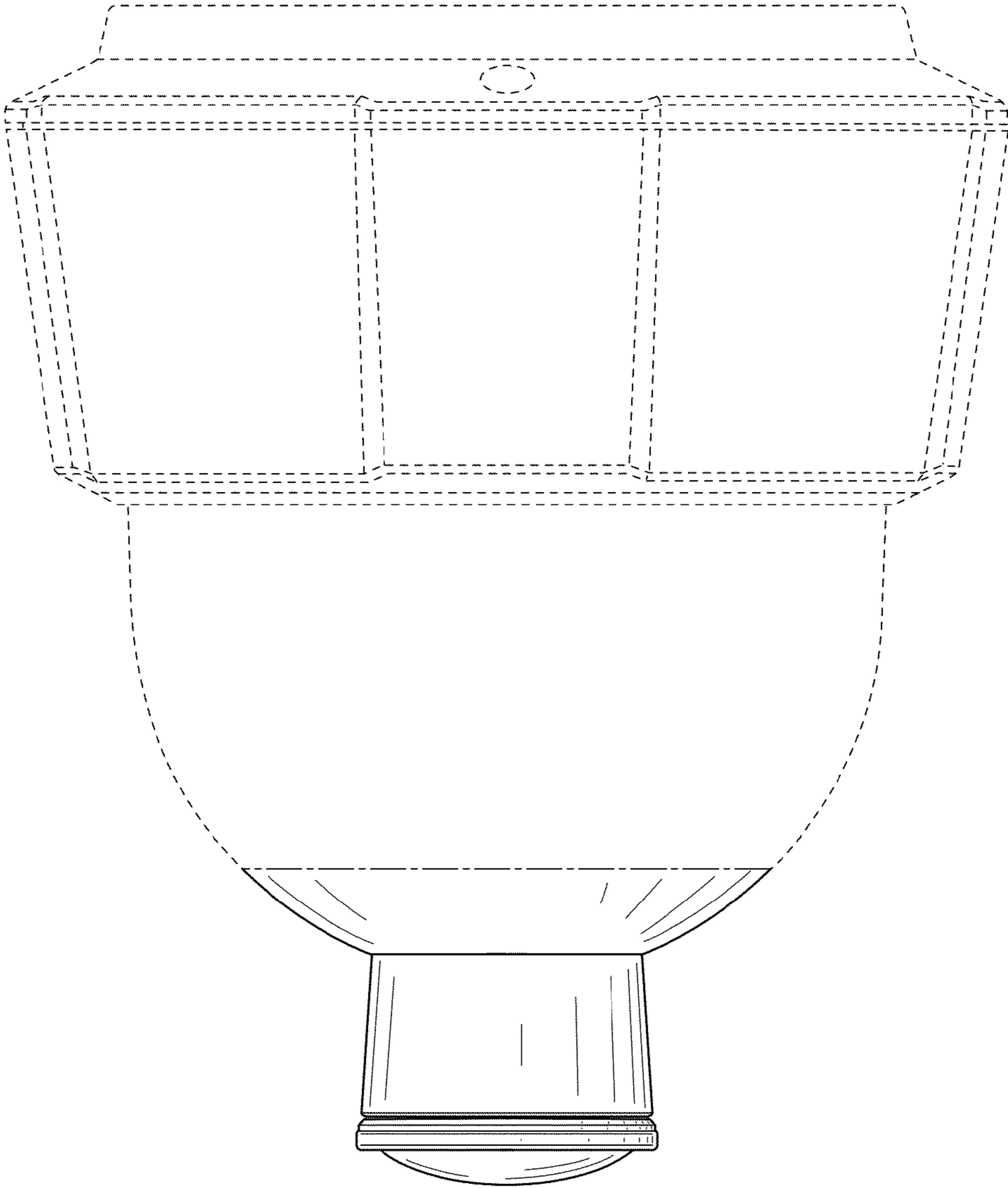


Fig. 4

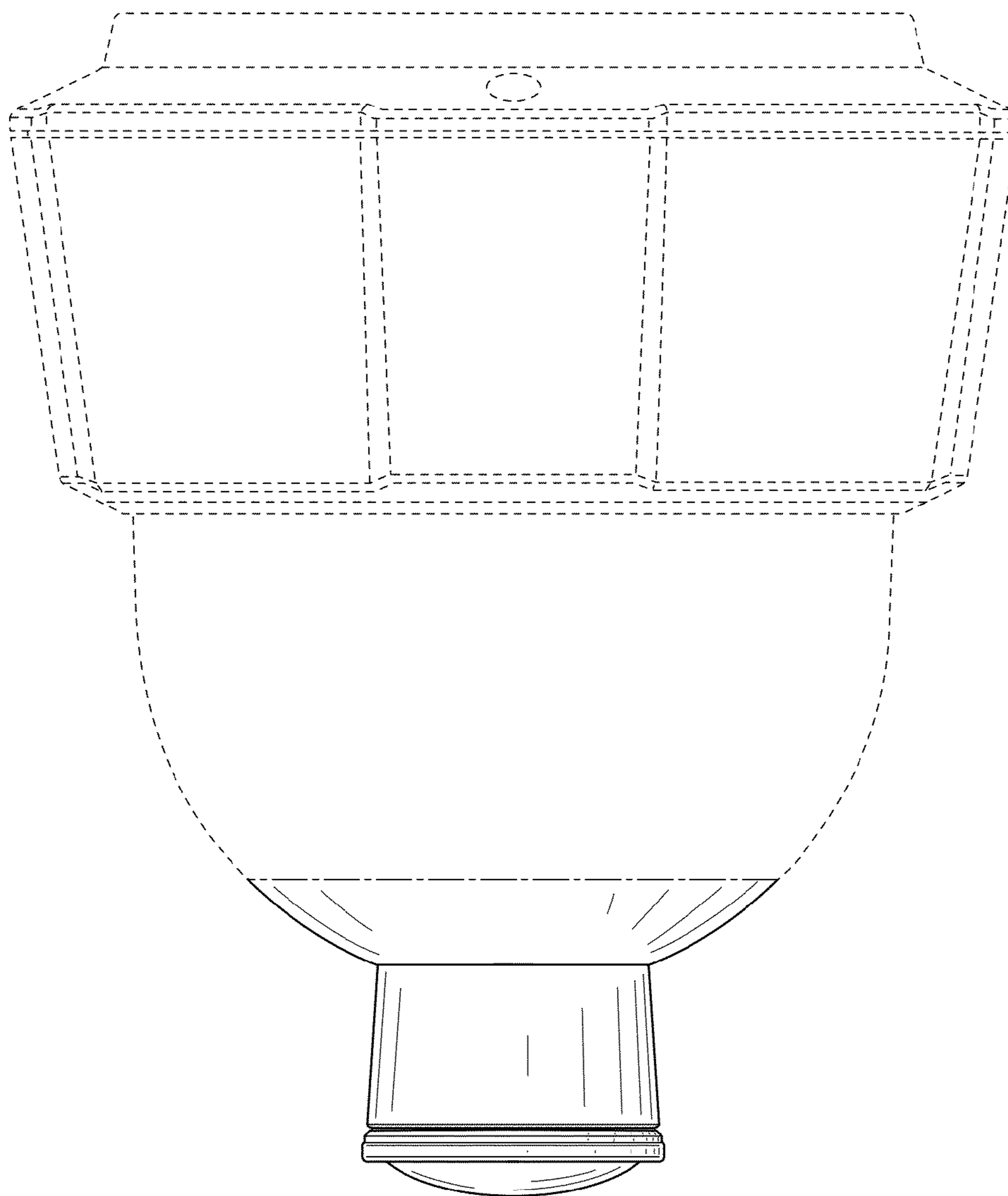


Fig. 5

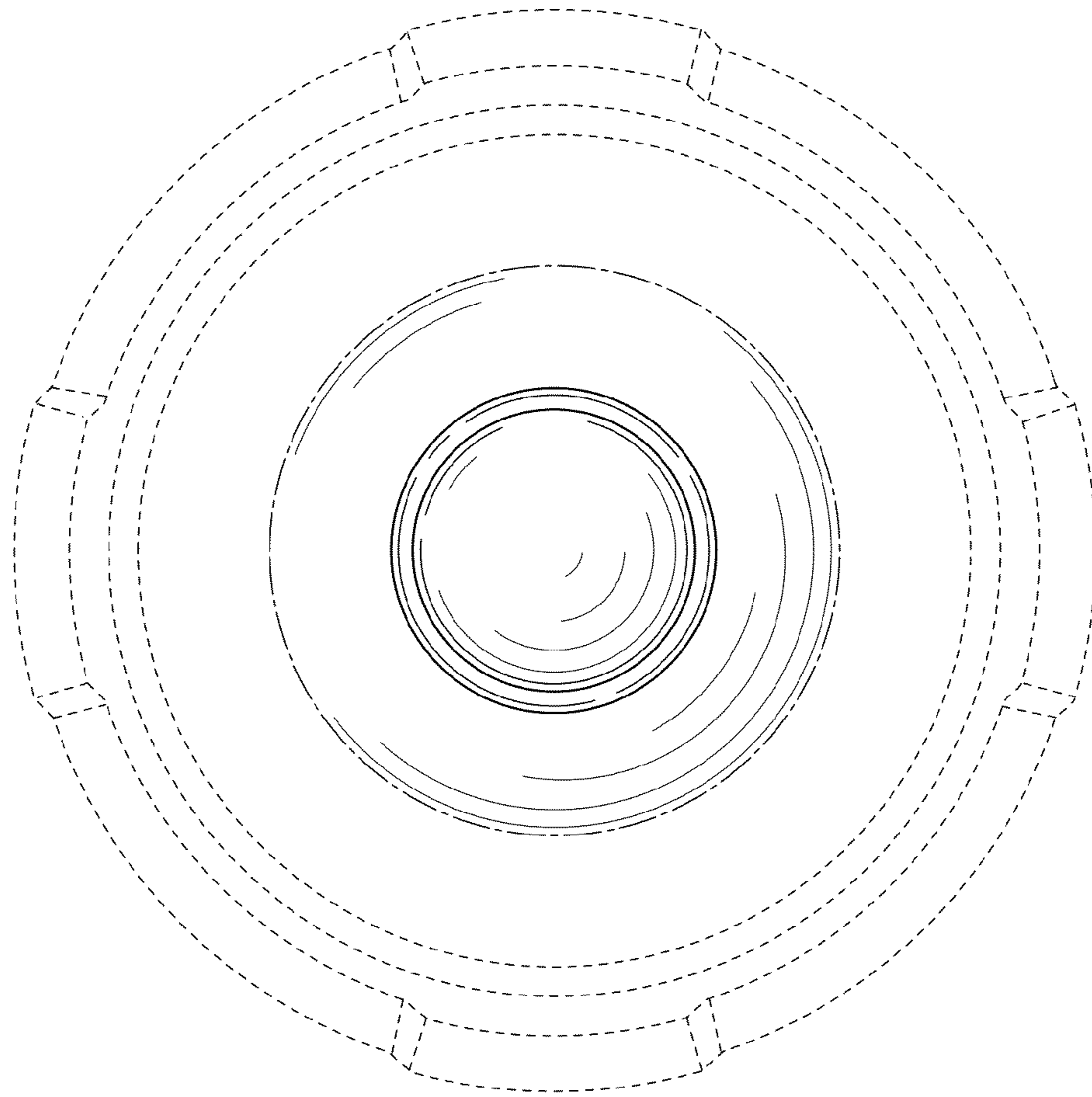


Fig. 6

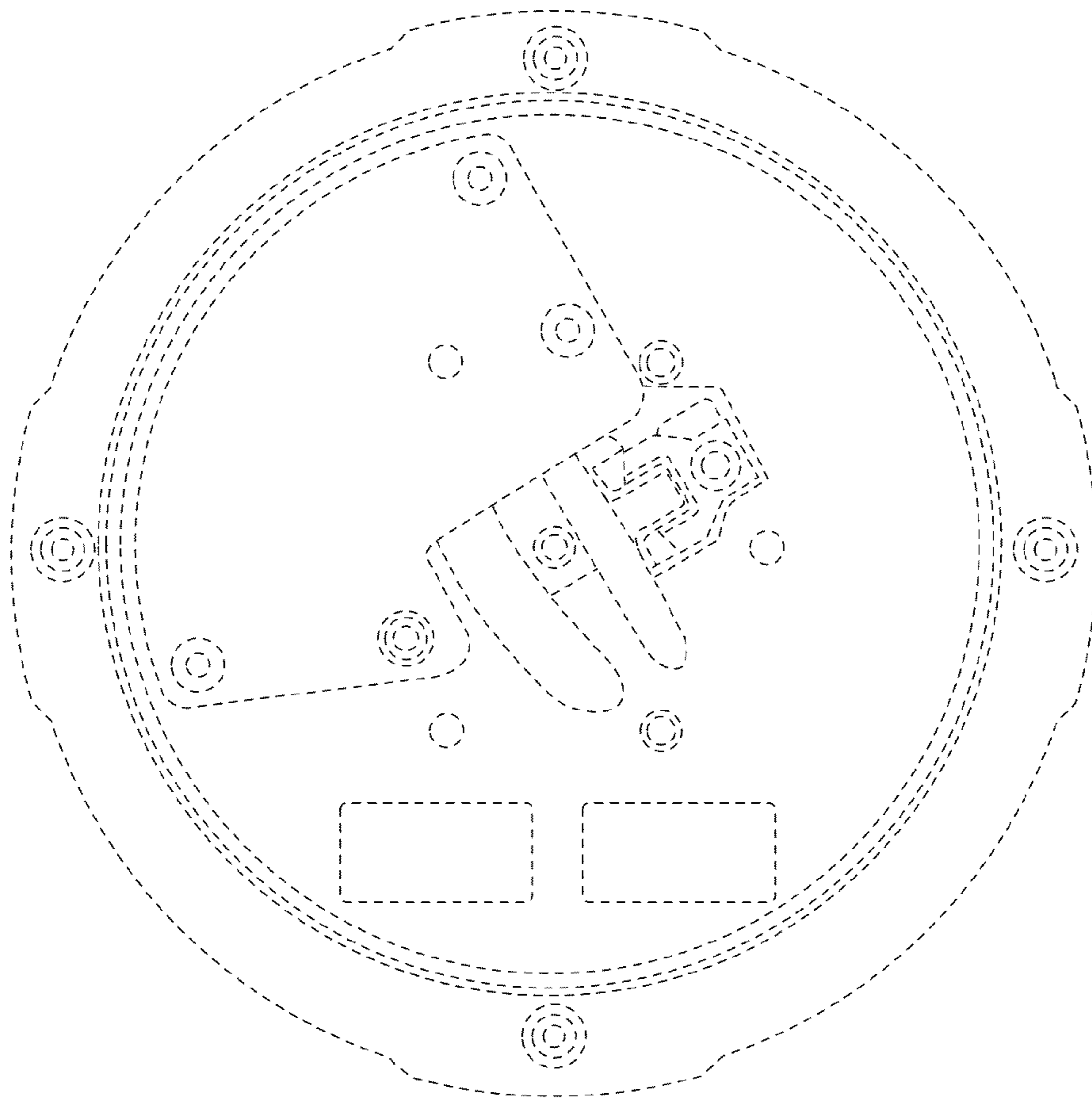


Fig. 7

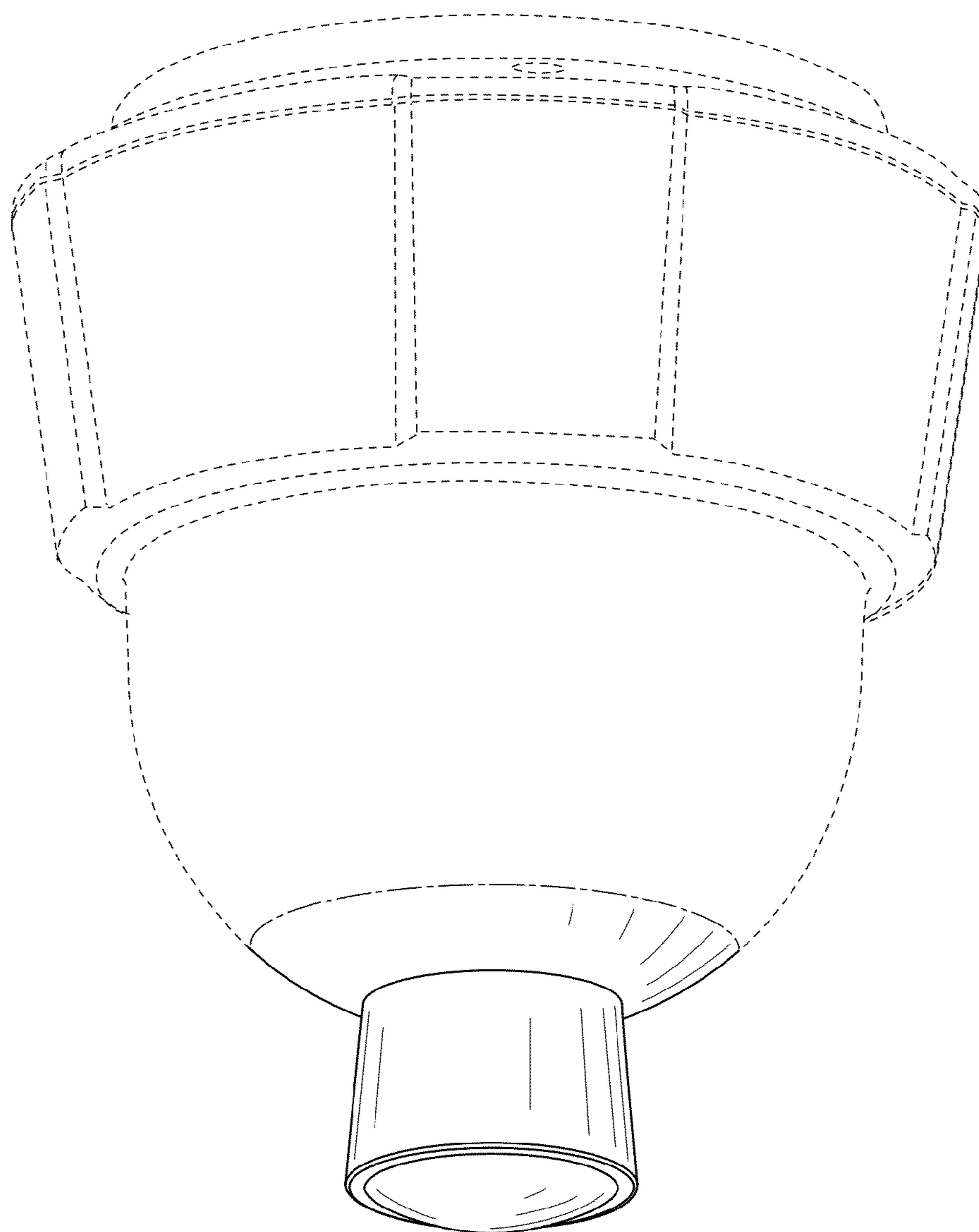


Fig. 8

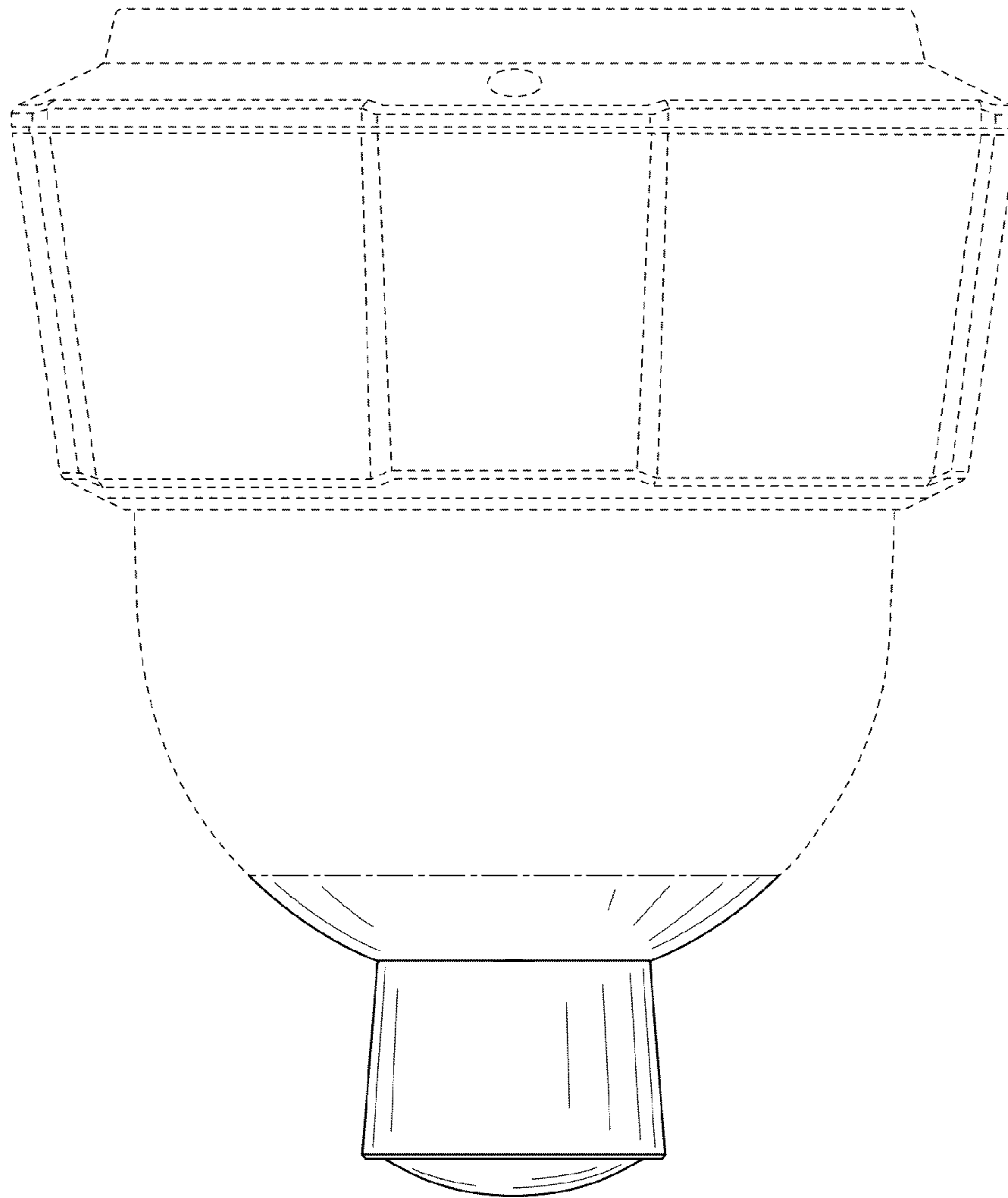


Fig. 9

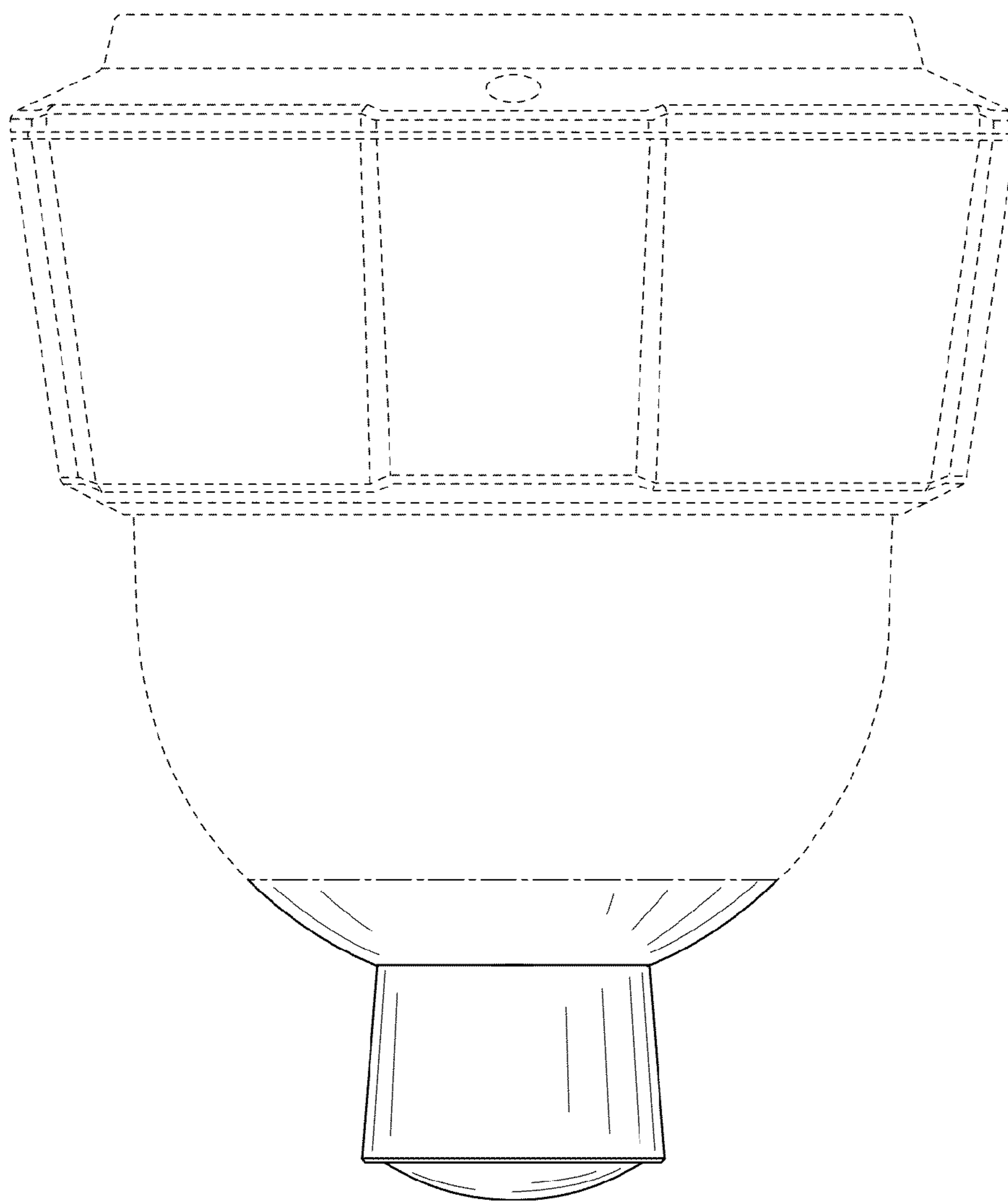


Fig. 10

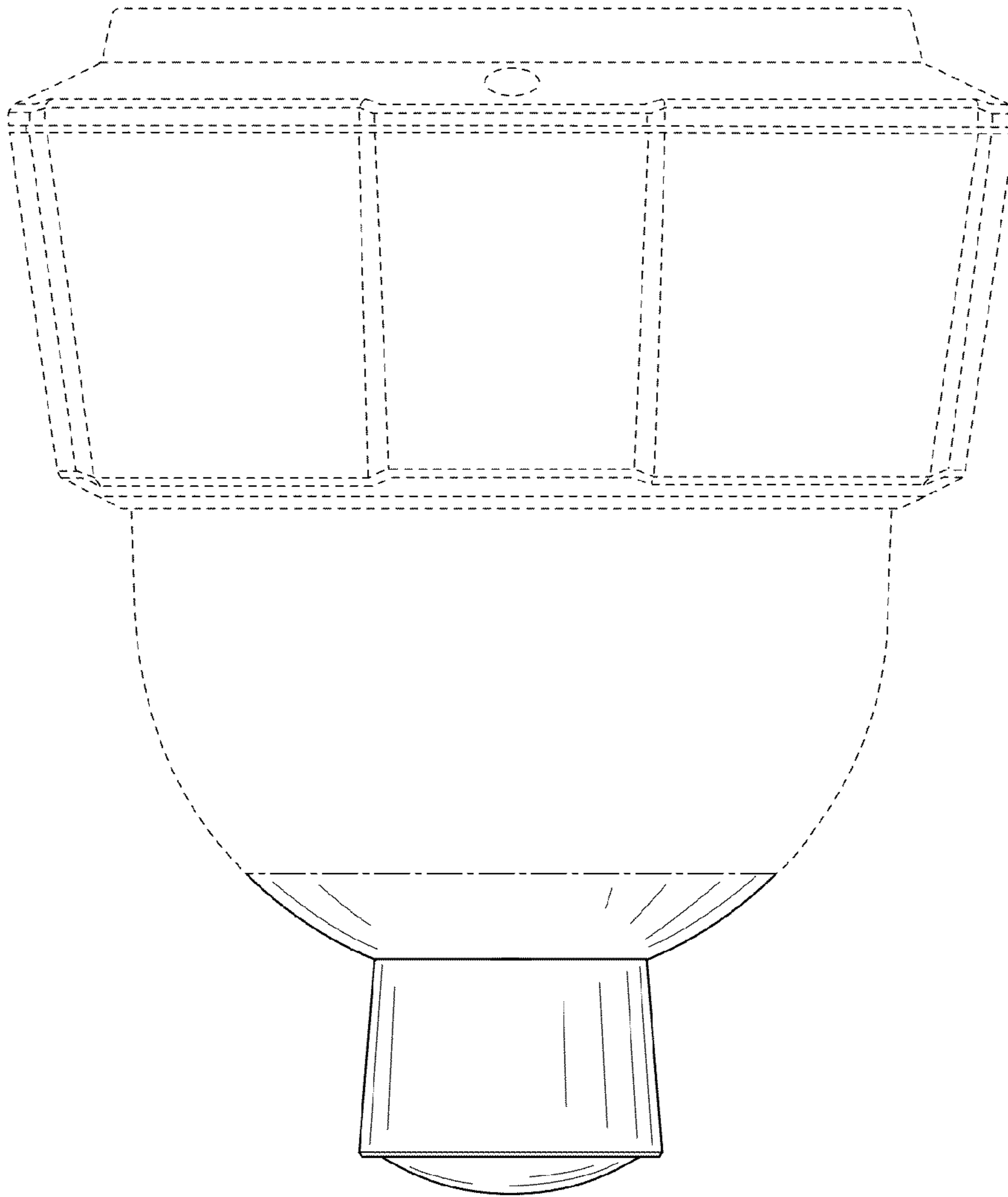


Fig. 11

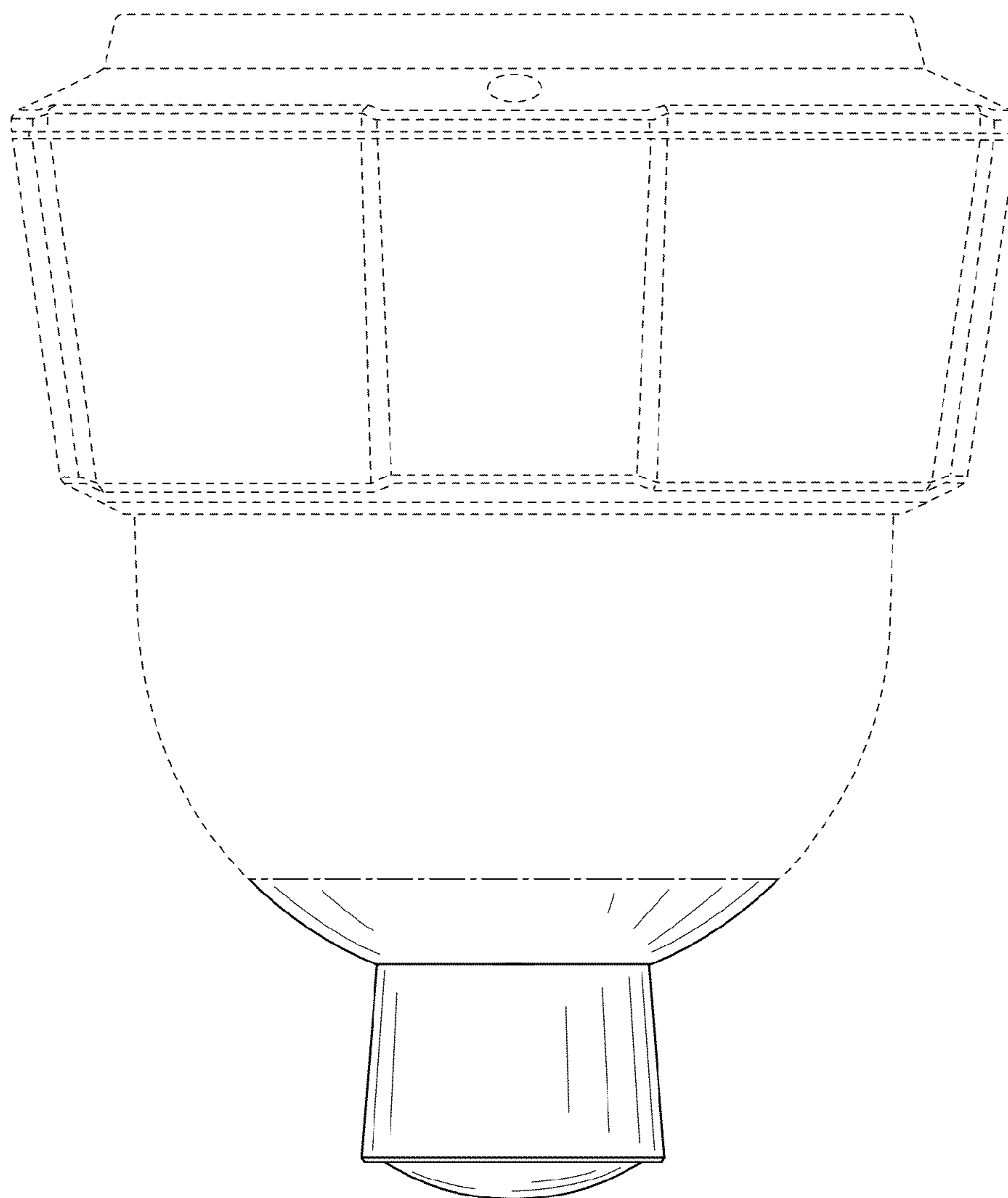


Fig. 12

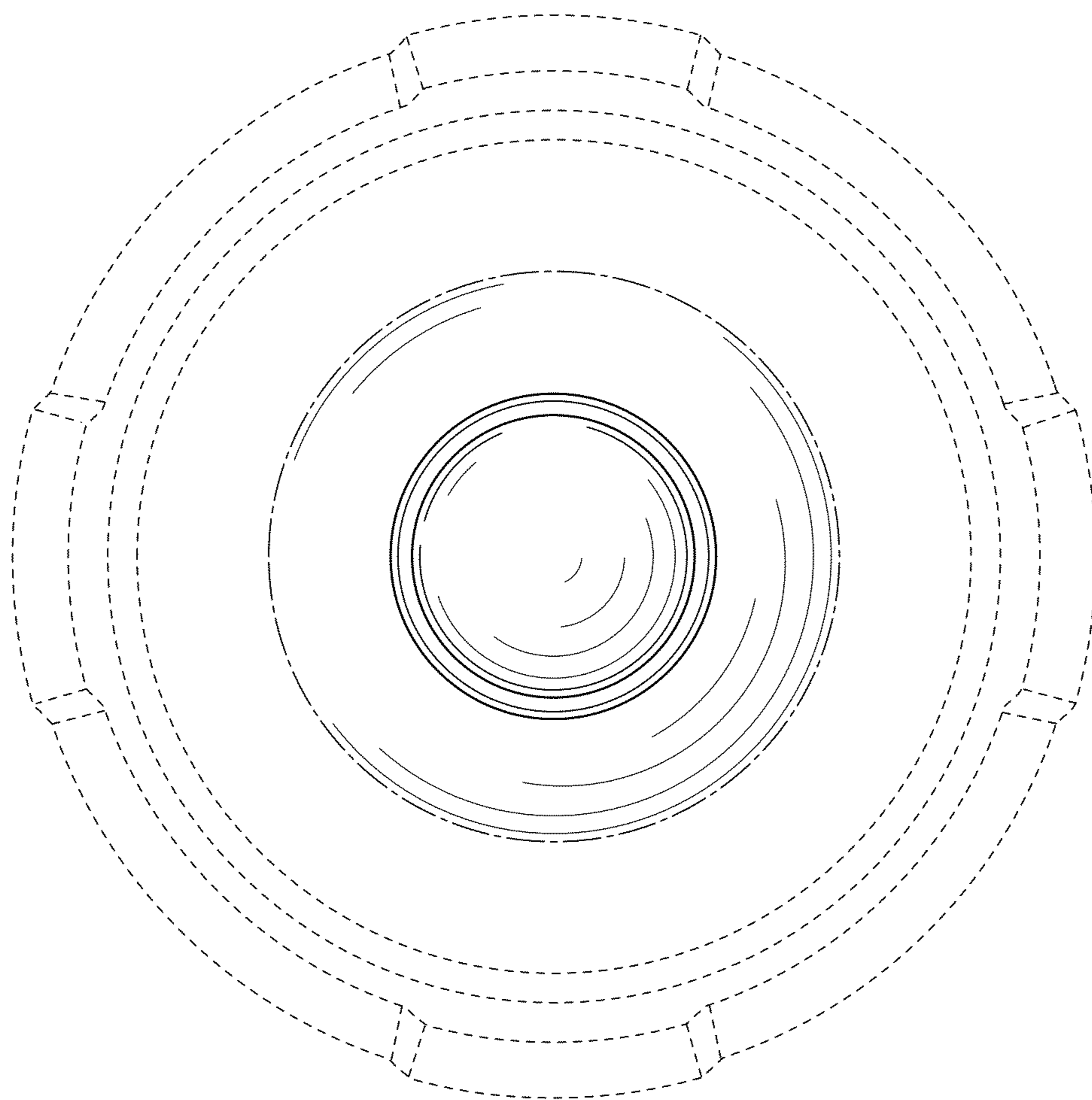


Fig. 13

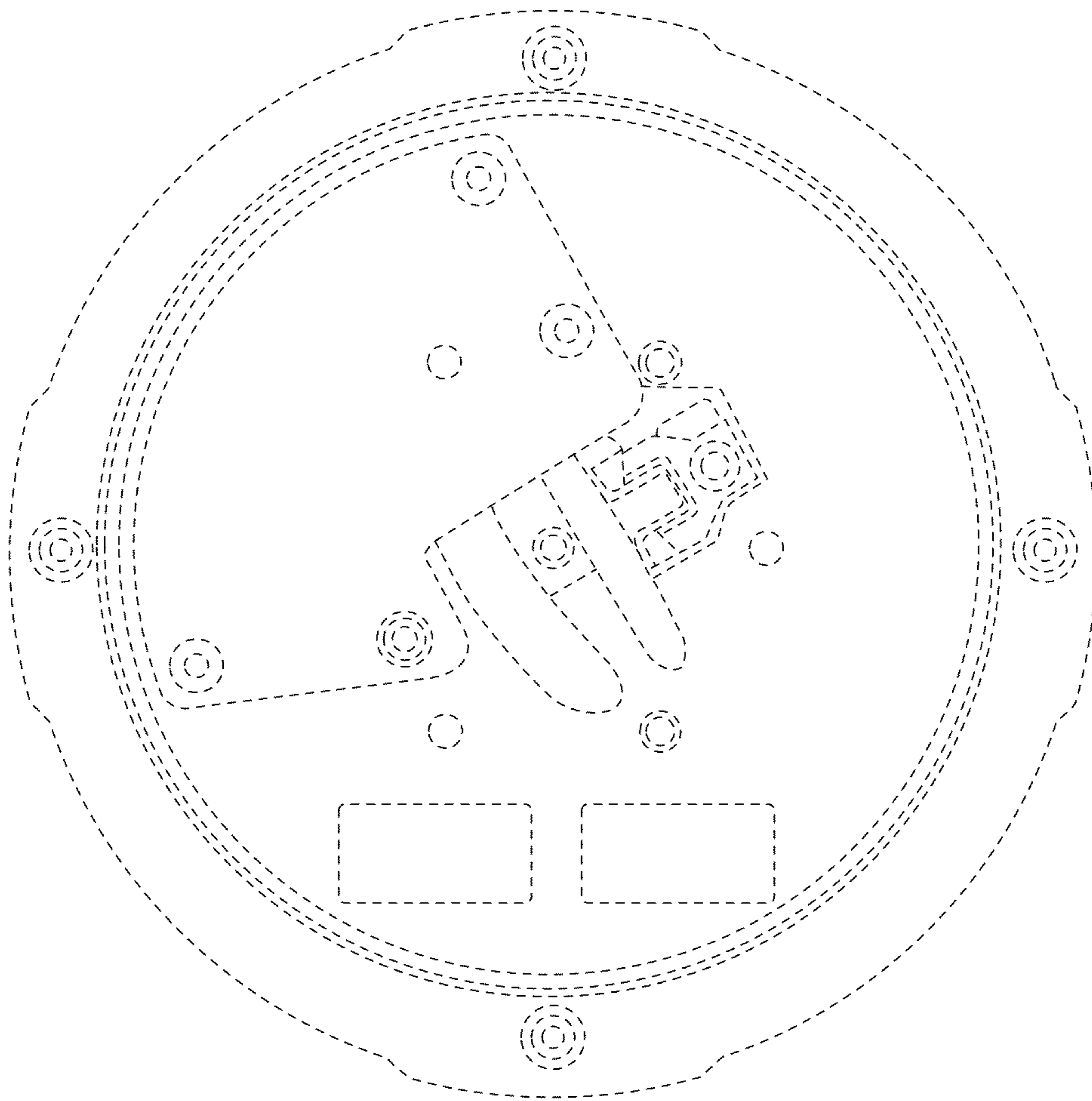


Fig .14