



US00D705287S

(12) **United States Design Patent**
Schmid et al.

(10) **Patent No.:** **US D705,287 S**

(45) **Date of Patent:** **** May 20, 2014**

(54) **CARTRIDGE FOR MIXING MACHINES**

(56) **References Cited**

(71) Applicant: **3M Innovative Properties Company**,
St. Paul, MN (US)

U.S. PATENT DOCUMENTS

(72) Inventors: **Rudolf Schmid**, Eichenau (DE);
Manfred Harre, Landsberg am Lech
(DE); **Emir Jelovac**, München (DE);
Thomas Müller, Gauting (DE); **Özcan**
Dönmez, Landsberg am Lech (DE);
Christian Richter, Feldafing (DE);
Korbinian Schepke-Gerlach, Gauting
(DE); **Stefan Welker**, Geltendörf (DE);
Andreas Bergsträßer, Albaching (DE)

D213,917 S	4/1969	Peterson	
4,198,373 A *	4/1980	Kropp et al.	422/49
D264,218 S	5/1982	Neuner	
D343,003 S	1/1994	Mechler	
D343,458 S	1/1994	Mechler	
D346,223 S	4/1994	Mechler	
D393,476 S	4/1998	Lödige	
D394,072 S	5/1998	McAvinney	
5,906,433 A *	5/1999	Mazzalveri	366/209
D421,616 S	3/2000	Shimizu	
D467,659 S	12/2002	Hörth	
D582,458 S	12/2008	Tognetti et al.	
D583,398 S	12/2008	Seiler	

(73) Assignee: **3M Innovative Properties Company**,
St. Paul, MN (US)

(Continued)

Primary Examiner — Patricia Palasik

(**) Term: **14 Years**

(57) **CLAIM**

(21) Appl. No.: **29/468,908**

The ornamental design for cartridge for mixing machines, as shown and described.

(22) Filed: **Oct. 4, 2013**

DESCRIPTION

(30) **Foreign Application Priority Data**

Apr. 8, 2013 (EM) 1367114 1/8

(51) **LOC (10) Cl.** **15-99**

(52) **U.S. Cl.**
USPC **D15/147**

(58) **Field of Classification Search**
USPC D7/370, 376, 377, 378, 380, 384, 386;
D15/135, 136, 138, 147; 76/107.1;
241/69, 101.8, 180, 181; 250/281, 282,
250/285, 287, 288, 290-292; 277/95;
366/47, 47.31, 48, 48.28, 57, 60, 63,
366/76.7, 143, 149, 168.1, 185, 192, 232,
366/241-260, 288, 309, 326.1, 601, 604,
366/605

FIG. 1 is a perspective view of a cartridge for a mixing machine with the handle in the open position showing the new design for a cartridge for mixing machines;

FIG. 2 is a front view thereof;

FIG. 3 is a rear view thereof;

FIG. 4 is a right side view thereof;

FIG. 5 is a left side view thereof;

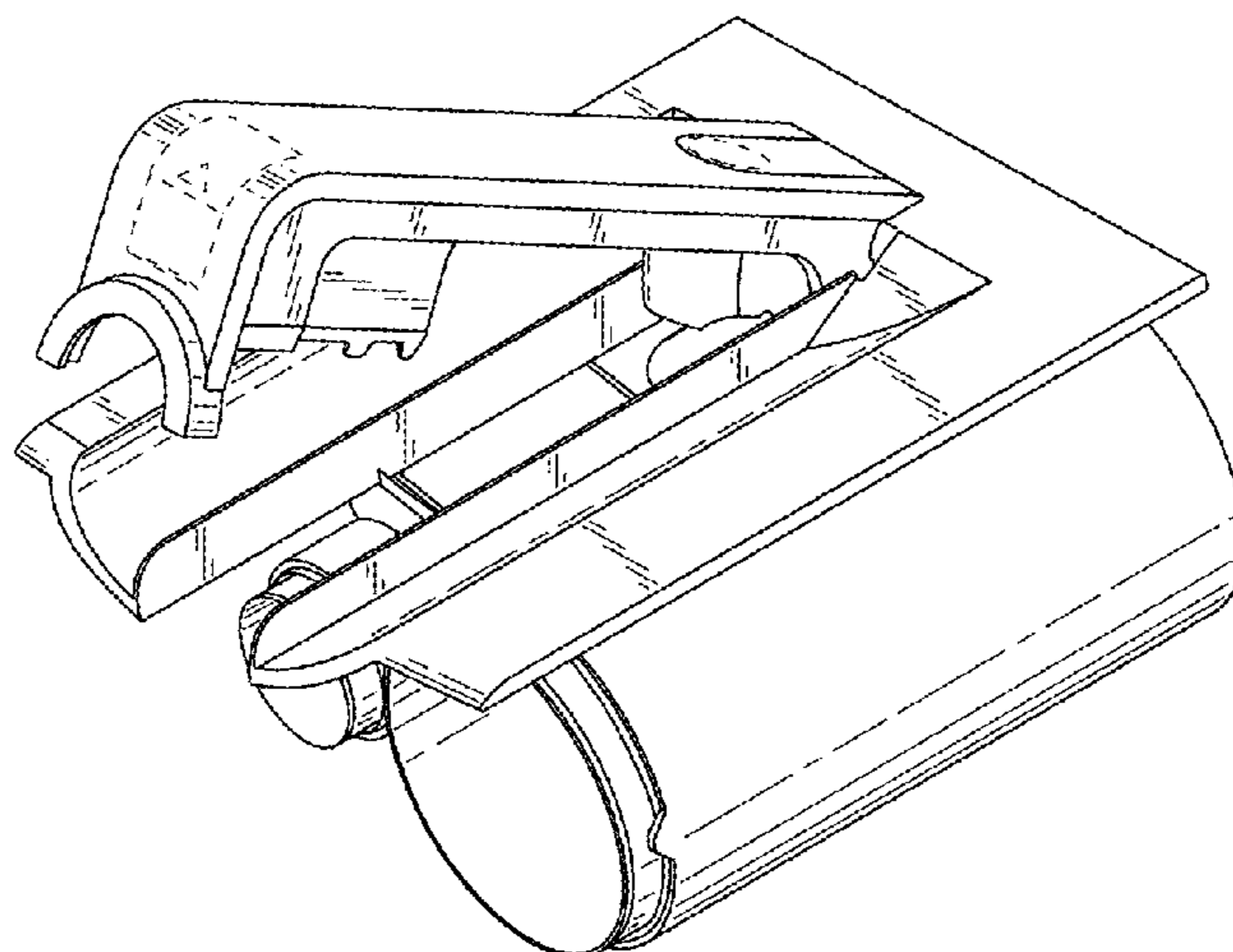
FIG. 6 is a top view thereof; and,

FIG. 7 is a bottom view thereof.

The broken lines in the drawings are shown for illustrative purposes only and form no part of the claimed design. In addition, the surface shading illustrated in the drawings is provided merely to highlight contour of design; it is not intended to be illustrative of texture or gloss.

See application file for complete search history.

1 Claim, 5 Drawing Sheets



(56)

References Cited

U.S. PATENT DOCUMENTS

D594,118 S 6/2009 Bergstraesser
D598,036 S 8/2009 Bergstraesser
D598,479 S 8/2009 Seiler

D625,345 S 10/2010 Bare
D662,117 S 6/2012 Dorbath
D671,986 S 12/2012 Kott
D695,324 S * 12/2013 Ballweg D15/122
2010/0124144 A1 * 5/2010 Thomas et al. 366/149

* cited by examiner

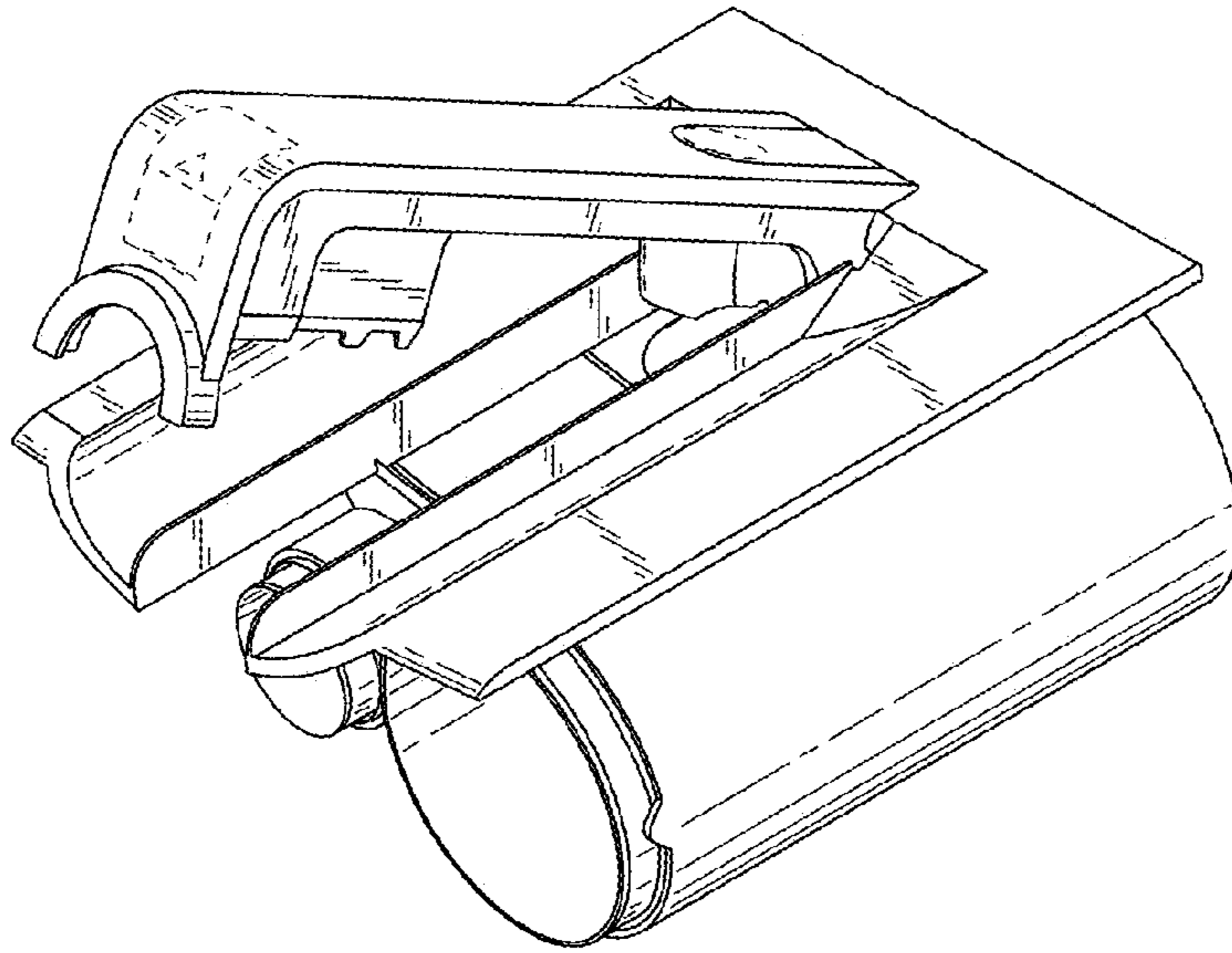


Fig. 1

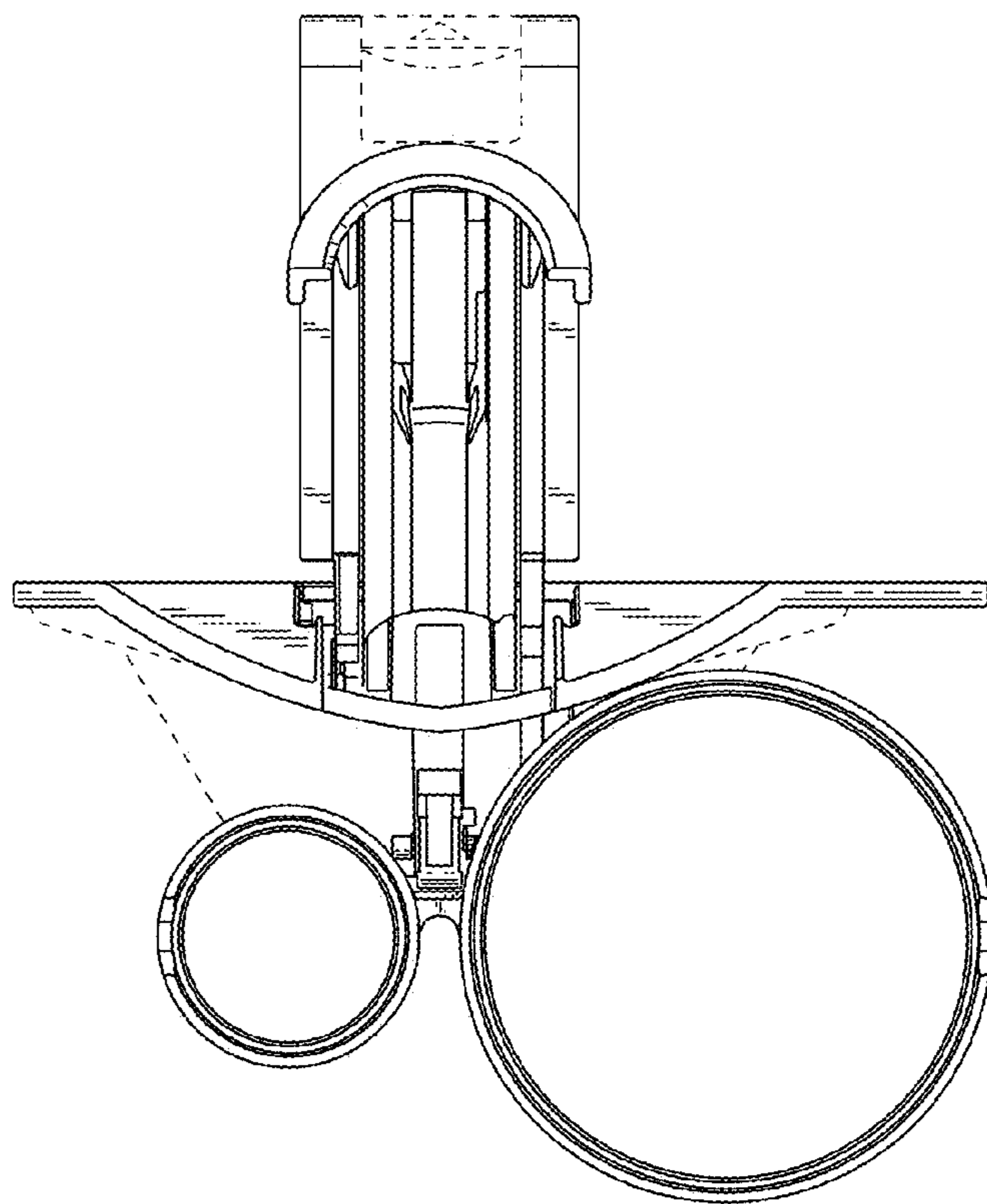


Fig. 2

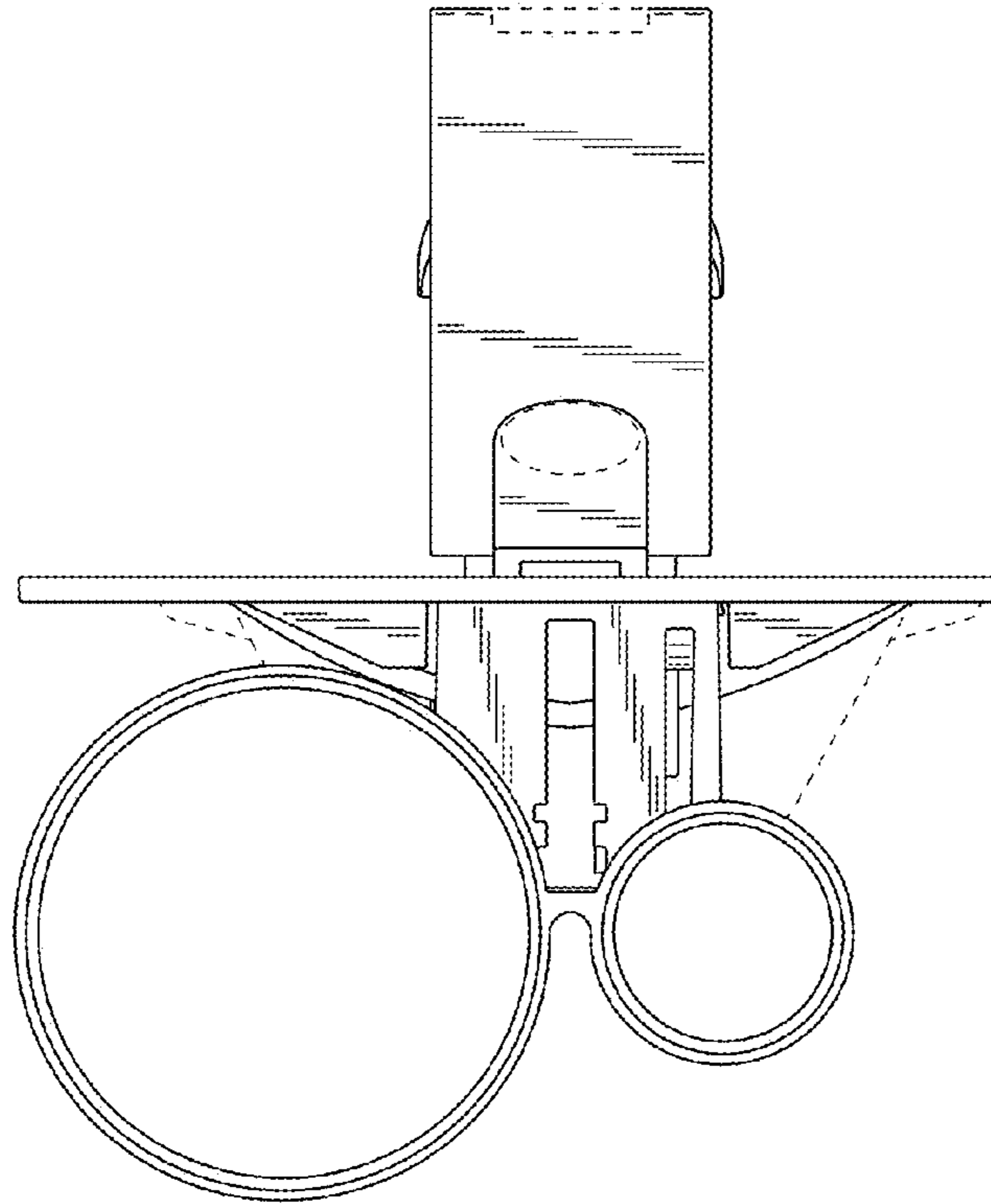


Fig. 3

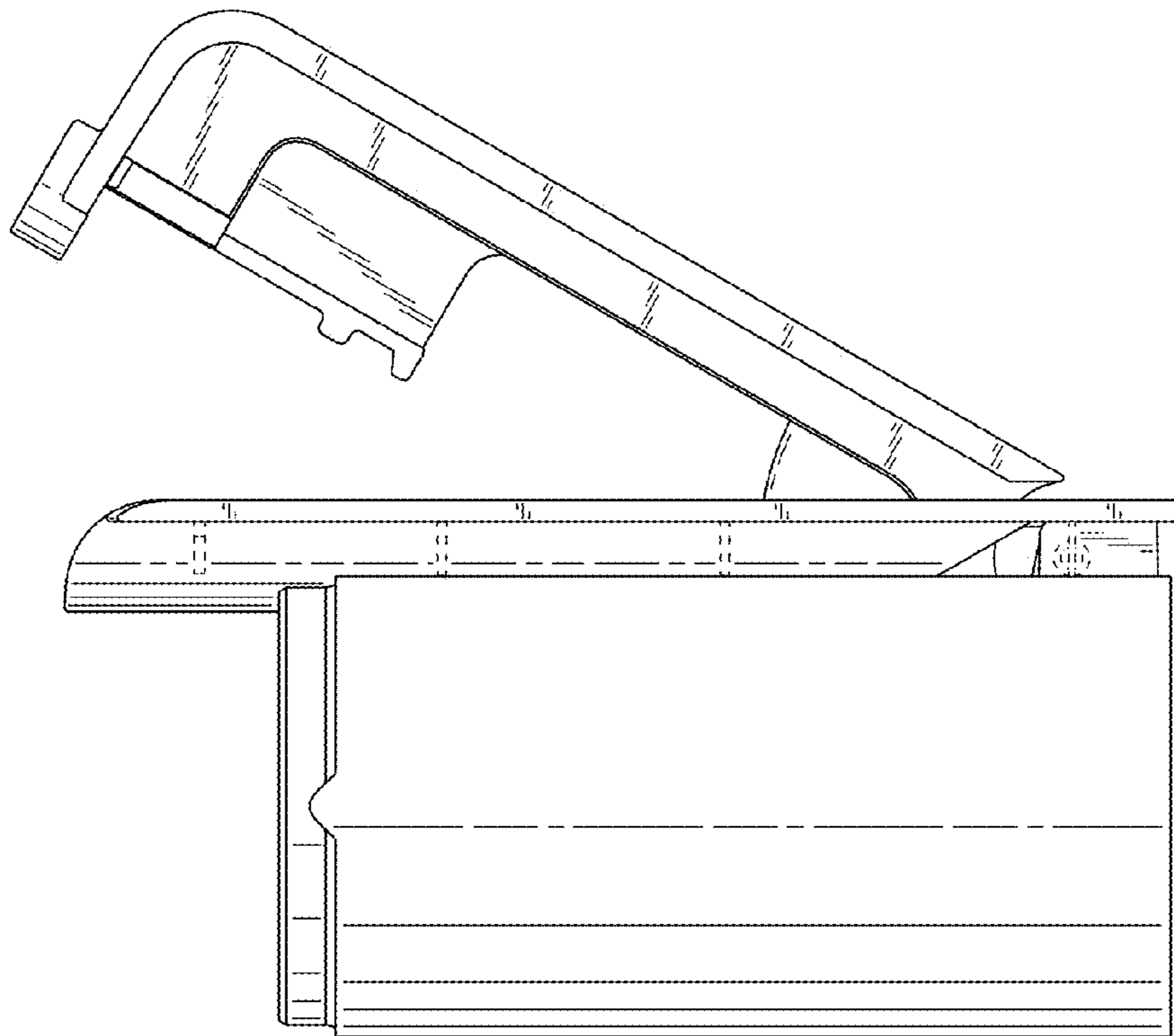


Fig. 4

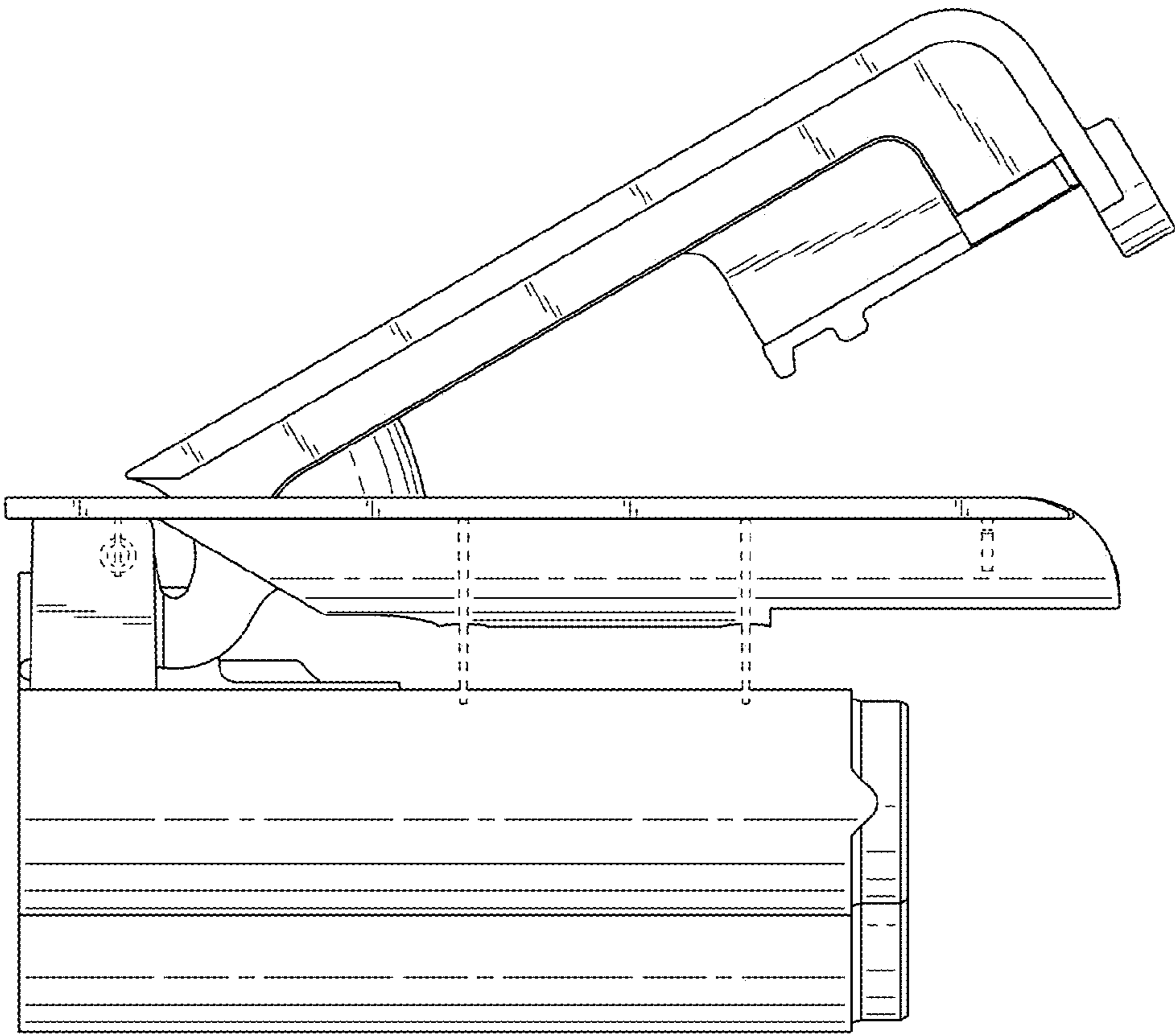


Fig. 5

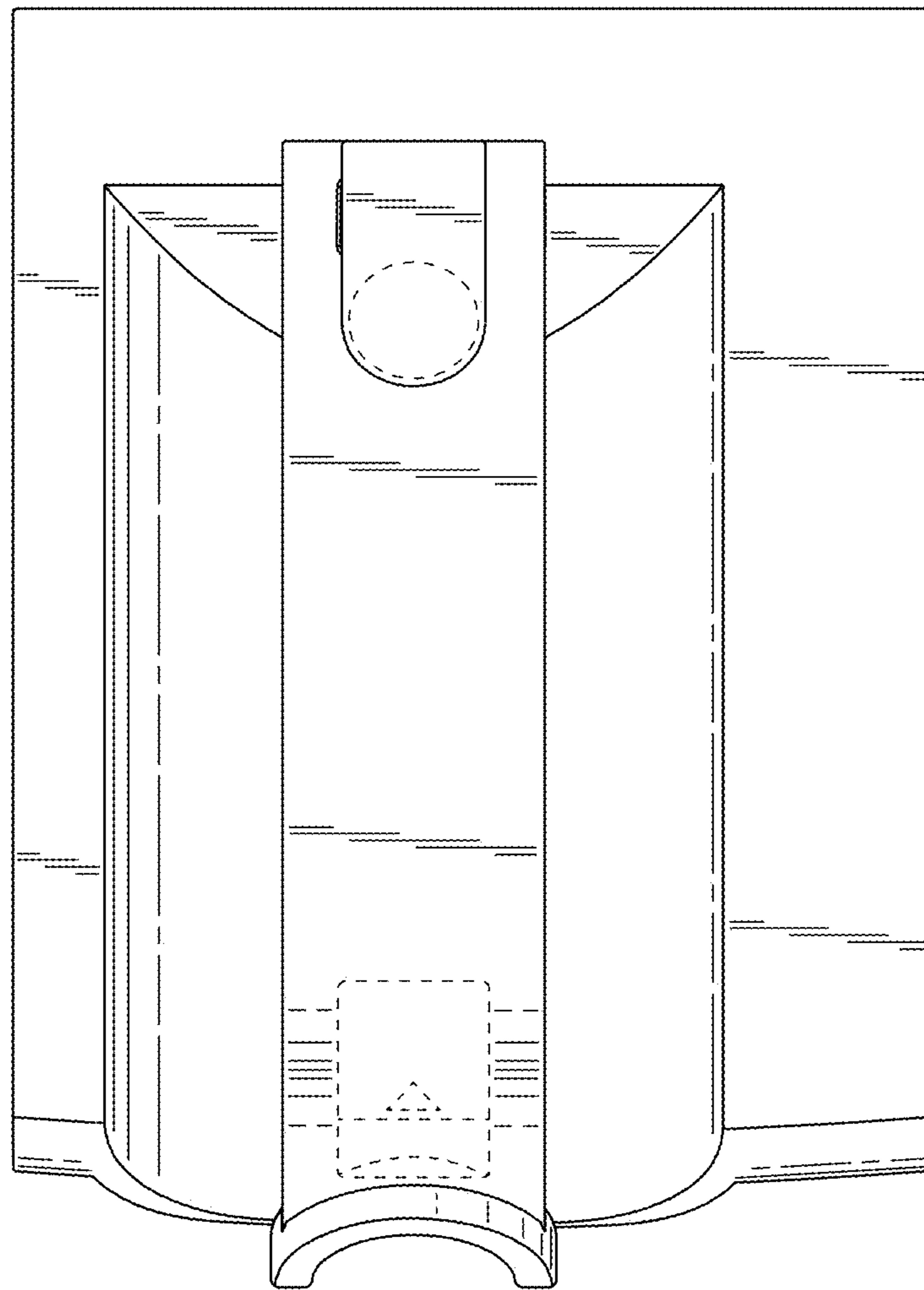


Fig. 6

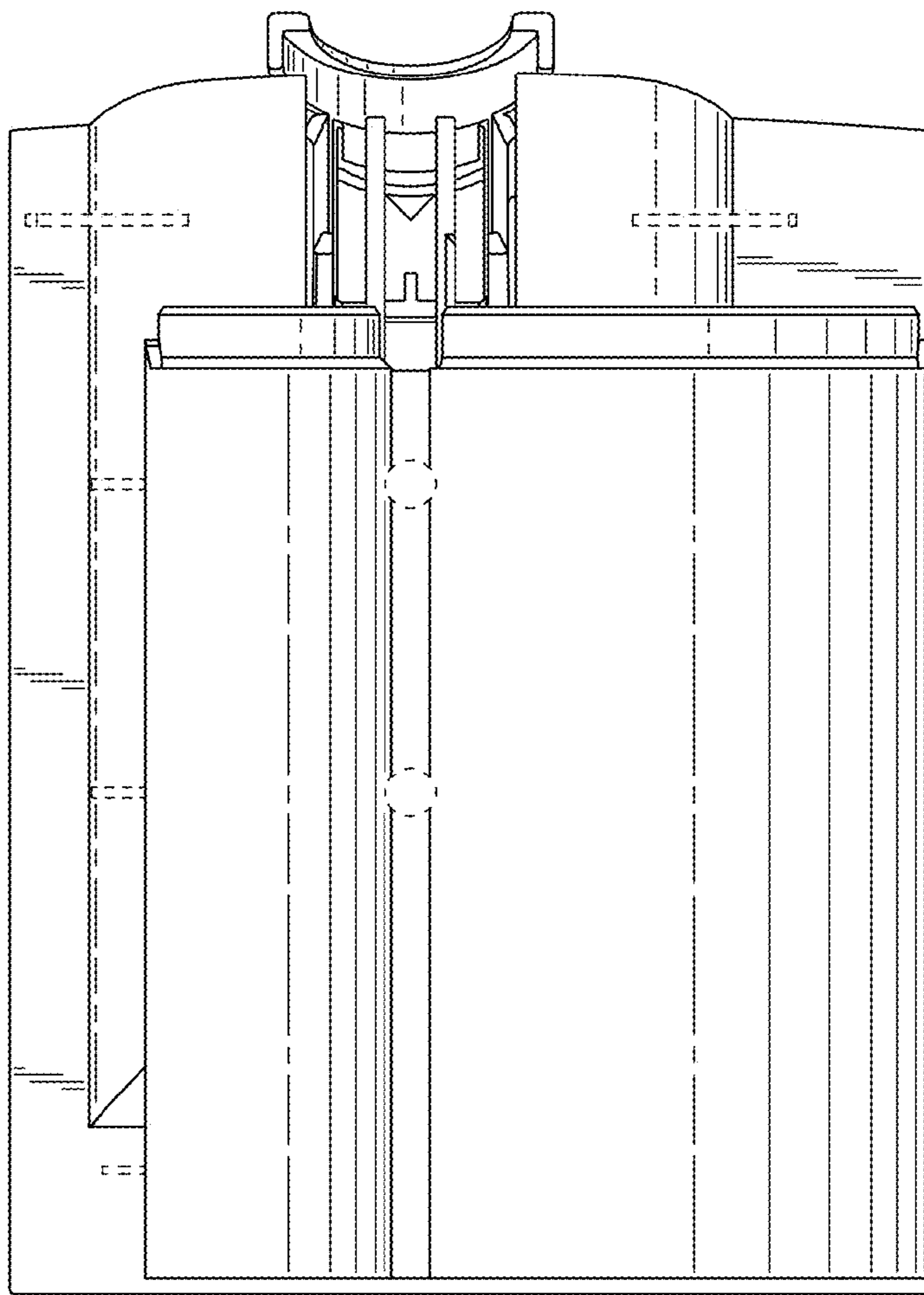


Fig. 7