



US00D705286S

(12) **United States Design Patent**
Kehoe et al.

(10) **Patent No.:** **US D705,286 S**

(45) **Date of Patent:** **** *May 20, 2014**

(54) **SUBMERSIBLE MIXER**

(56)

References Cited

(71) Applicant: **Sulzer Pumpen AG**, Winterthur (CH)

U.S. PATENT DOCUMENTS

(72) Inventors: **Mark Kehoe**, Crossabeg (IE); **Andrejas Vukovic**, Much (DE)

D282,371	S	*	1/1986	Johansson	D15/147
D306,033	S	*	2/1990	Fries et al.	D15/147
D341,608	S	*	11/1993	Fries	D15/147
D432,621	S	*	10/2000	Etschel et al.	D23/200
D576,539	S	*	9/2008	Tymark et al.	D12/214
7,455,497	B2	*	11/2008	Lee	415/72
D677,611	S	*	3/2013	Janecke	D12/214
D677,612	S	*	3/2013	Janecke	D12/214
2009/0110588	A1	*	4/2009	Inoue et al.	420/38
2010/0284241	A1	*	11/2010	Fondelius	366/164.2
2013/0129514	A1	*	5/2013	Lehmann	416/223 R

(73) Assignee: **Sulzer Pumpen AG**, Winterthur (CH)

(*) Notice: This patent is subject to a terminal disclaimer.

(**) Term: **14 Years**

* cited by examiner

(21) Appl. No.: **29/449,255**

Primary Examiner — Patricia Palasik

(22) Filed: **Mar. 14, 2013**

(74) *Attorney, Agent, or Firm* — Kilpatrick Townsend & Stockton LLP

(30) **Foreign Application Priority Data**

Sep. 14, 2012 (CH) 139231

(51) **LOC (10) Cl.** **15-99**

(52) **U.S. Cl.**
USPC **D15/147**

(58) **Field of Classification Search**
USPC D7/376-379, 387; D12/214; D15/122,
D15/138, 147, 199; D23/207; 366/241, 264,
366/265, 317; 416/9 A, 62, 93 R, 223 R;
440/49, 76, 79, 80, 81, 82

See application file for complete search history.

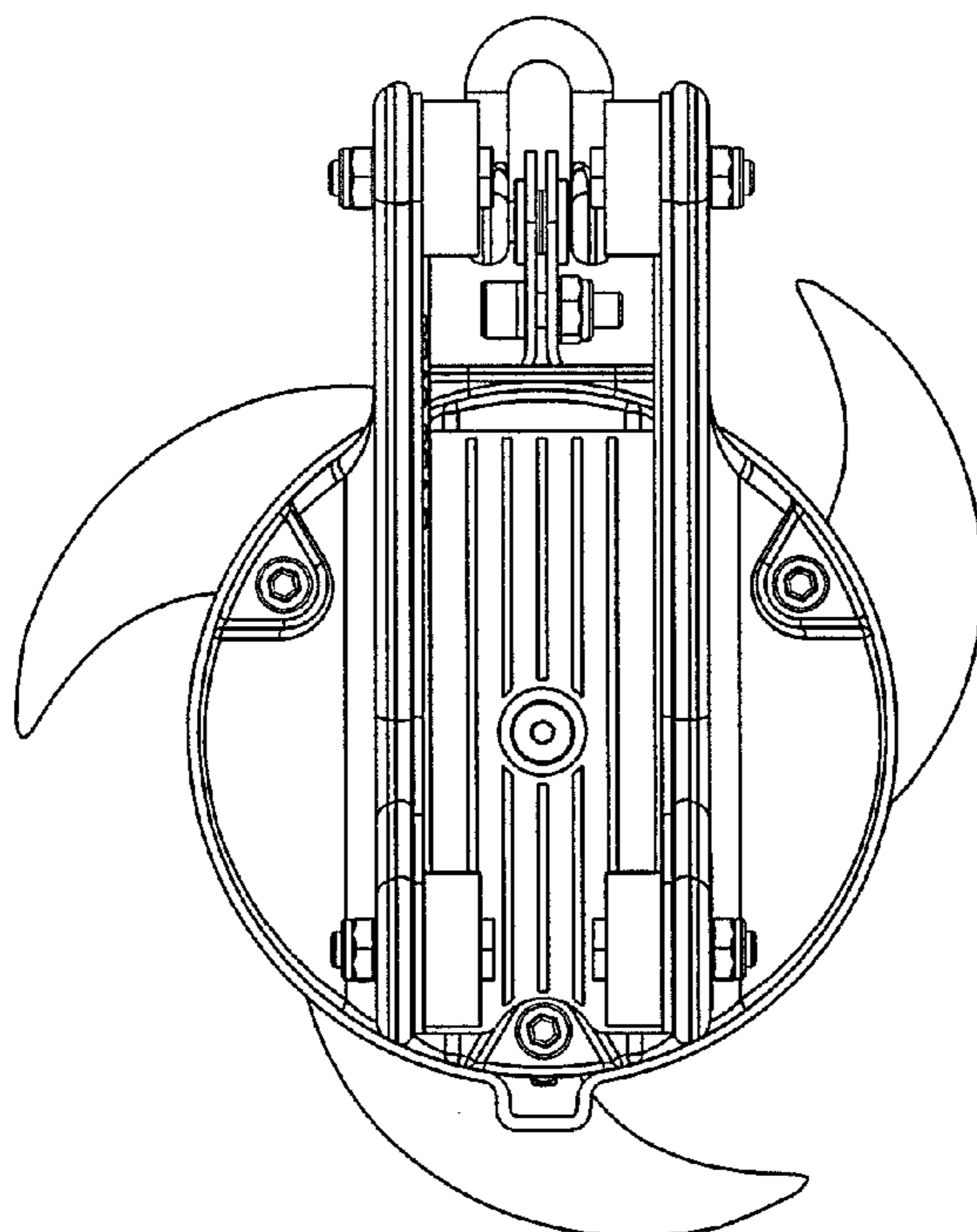
(57) **CLAIM**

The ornamental design for a submersible mixer, as shown and described.

DESCRIPTION

FIG. 1 is a rear view of the submersible mixer showing our new design;
FIG. 2 is a right side elevational view thereof;
FIG. 3 is a rear perspective view thereof;
FIG. 4 is a bottom view thereof;
FIG. 5 is a front elevational view thereof;
FIG. 6 is a top view thereof;
FIG. 7 is a front perspective view thereof; and,
FIG. 8 is a left side elevational view thereof.
The broken lines in the drawings form no part of the claimed design.

1 Claim, 8 Drawing Sheets



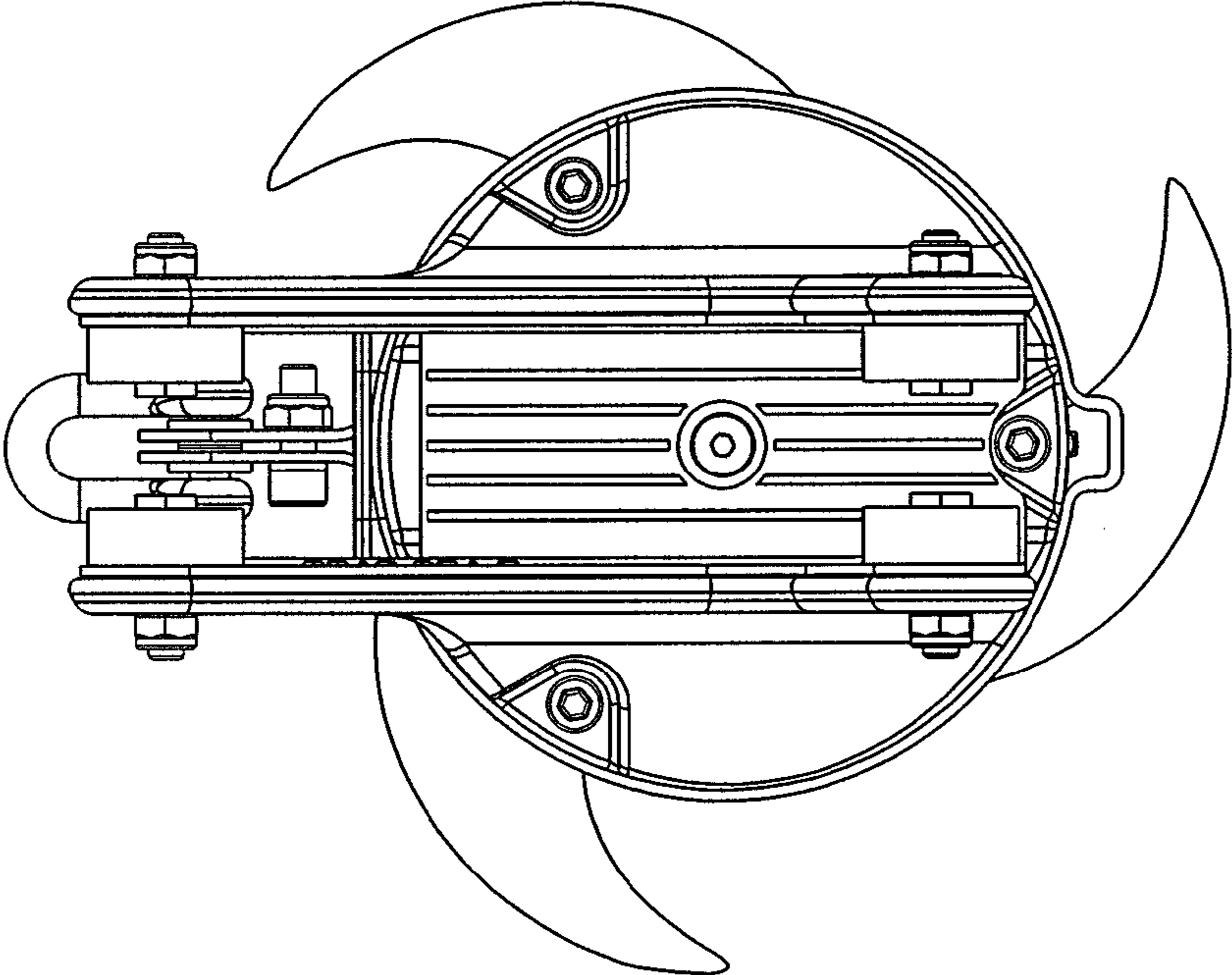


FIG. 1

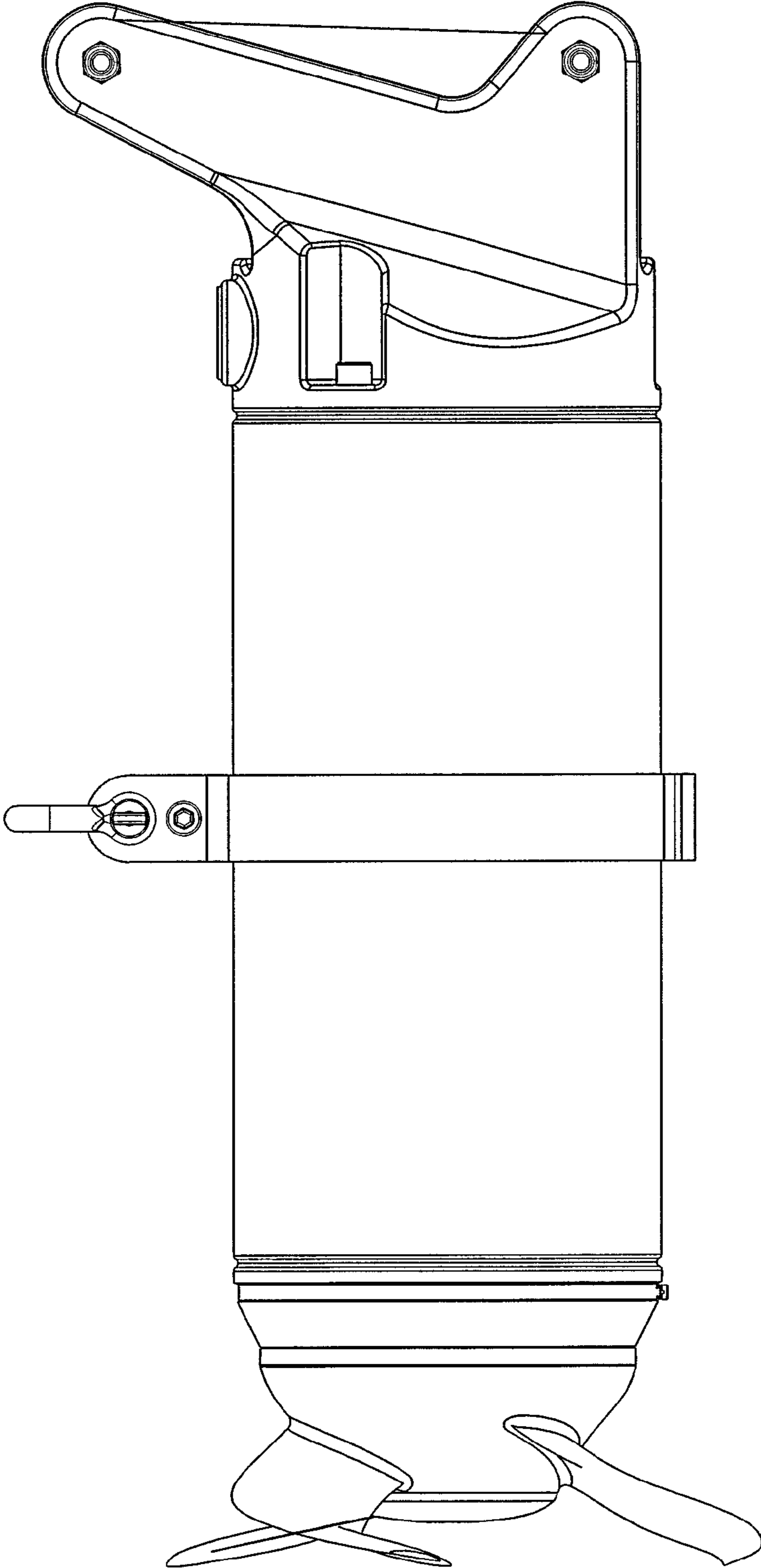


FIG. 2

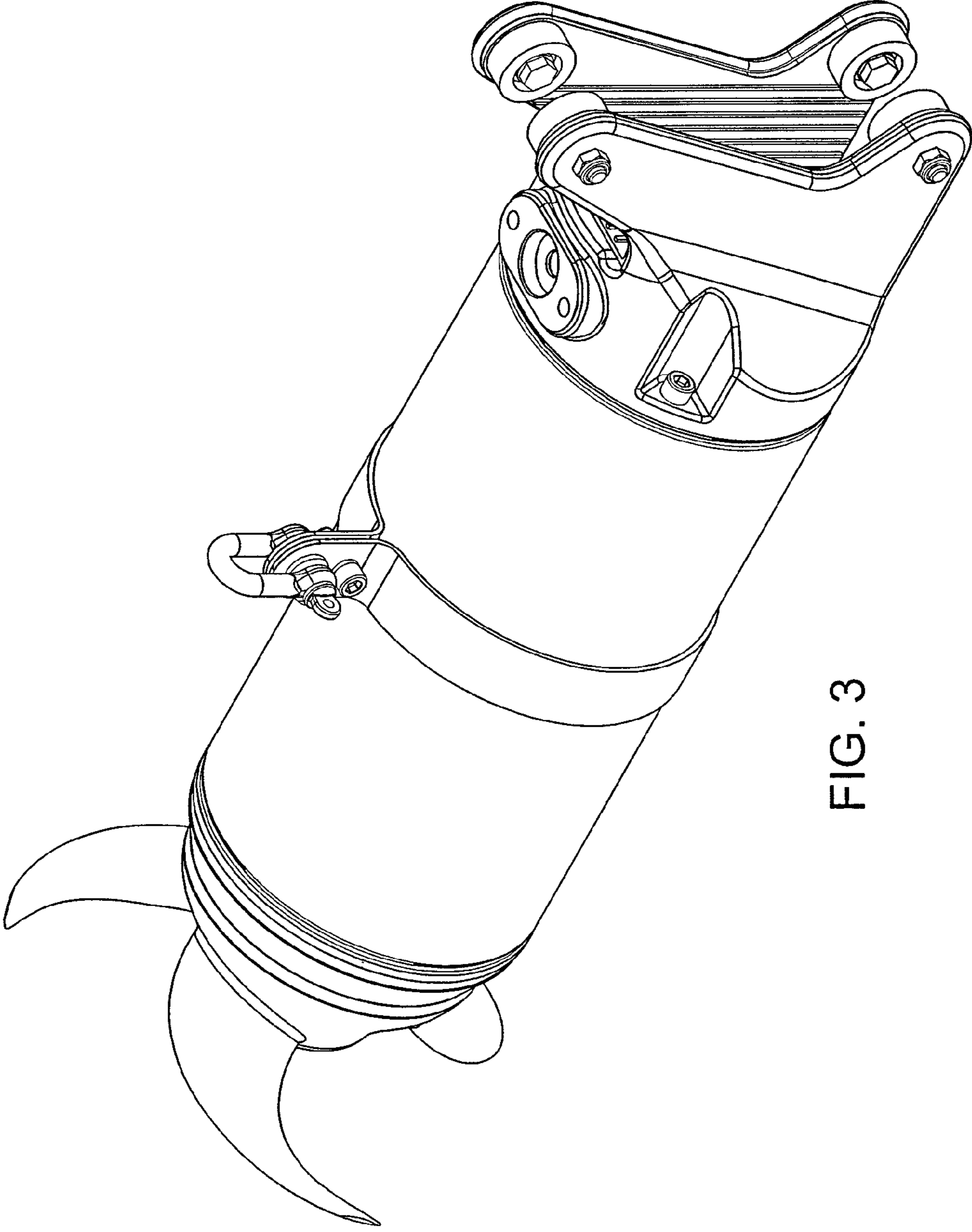


FIG. 3

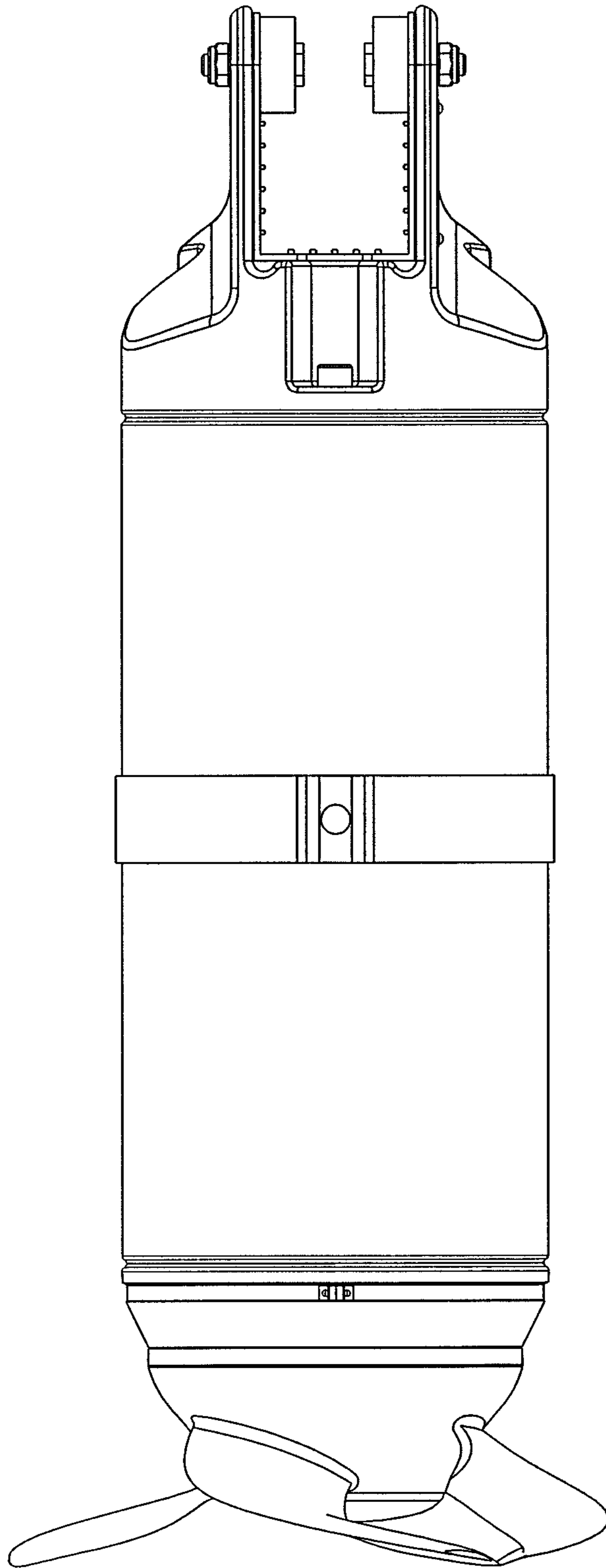


FIG. 4

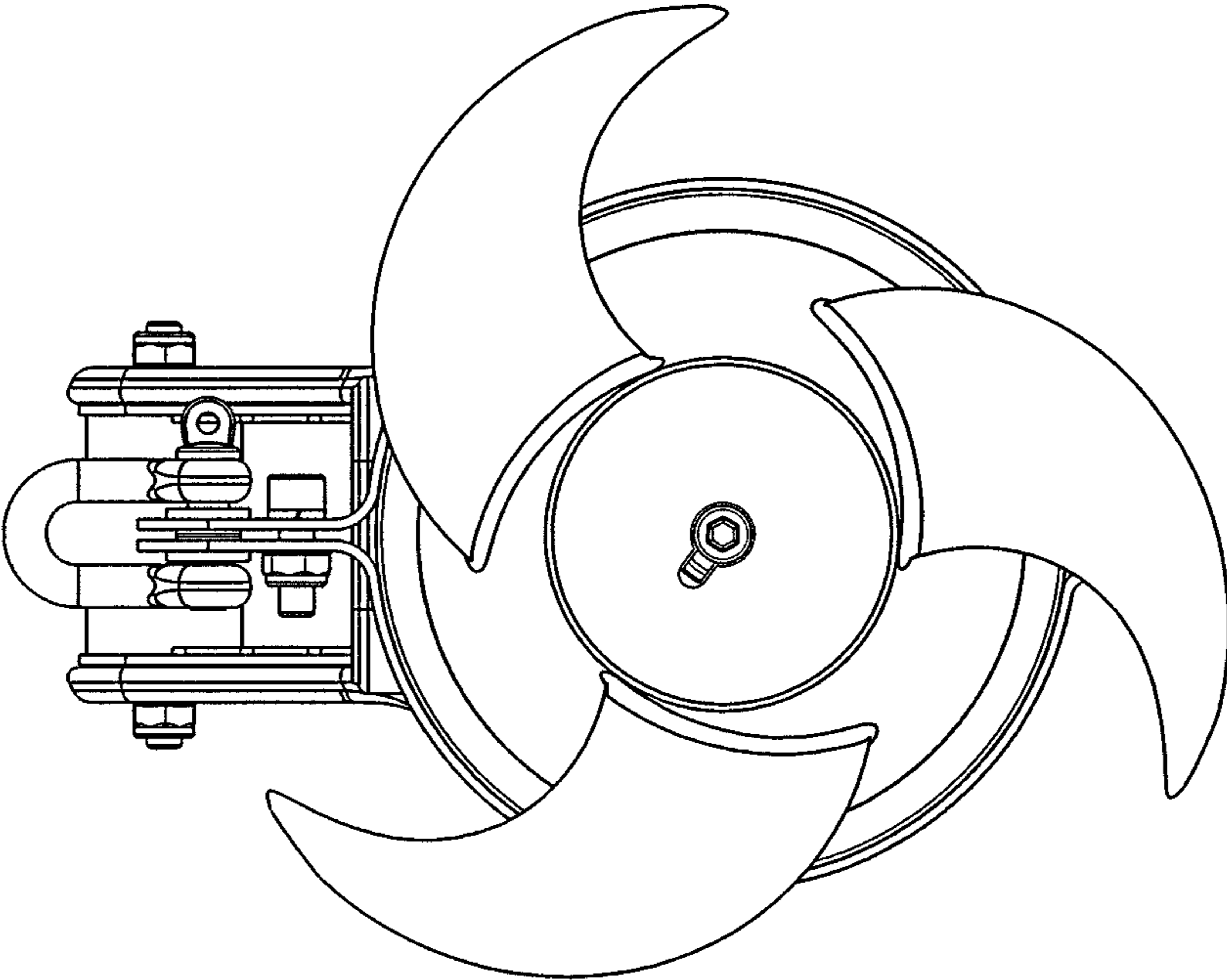


FIG. 5

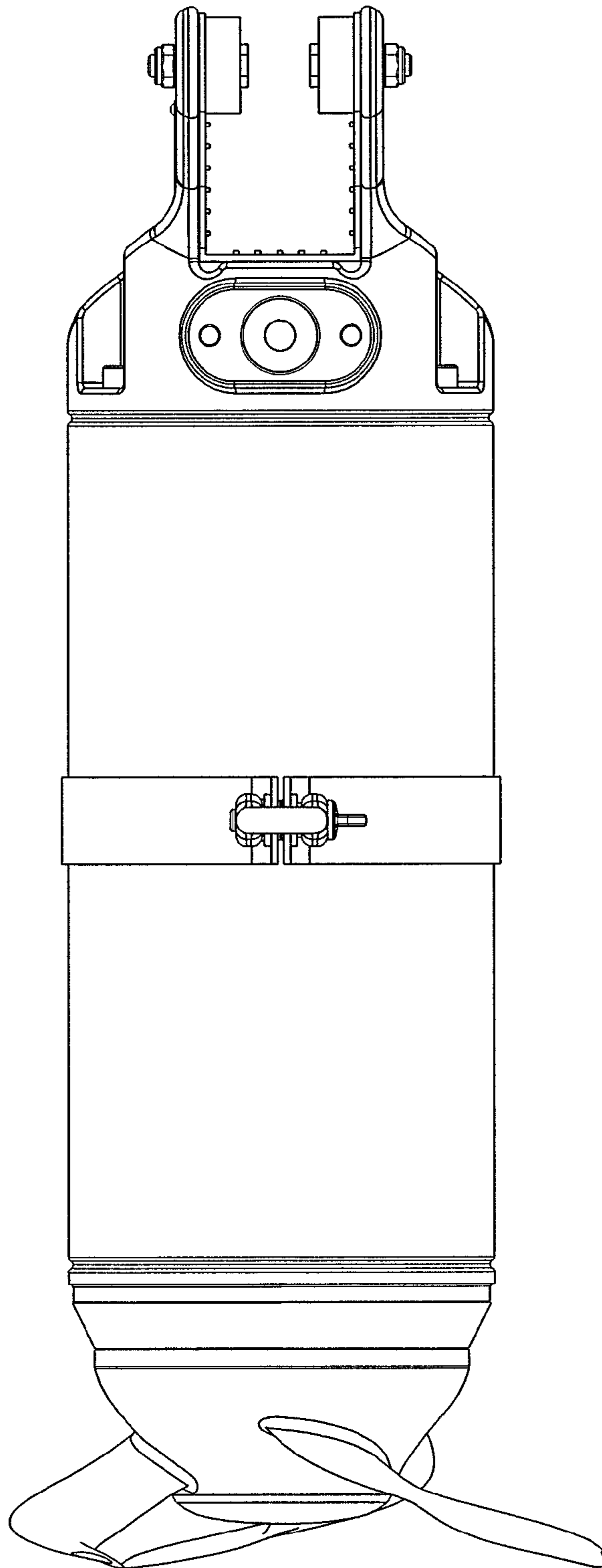


FIG. 6

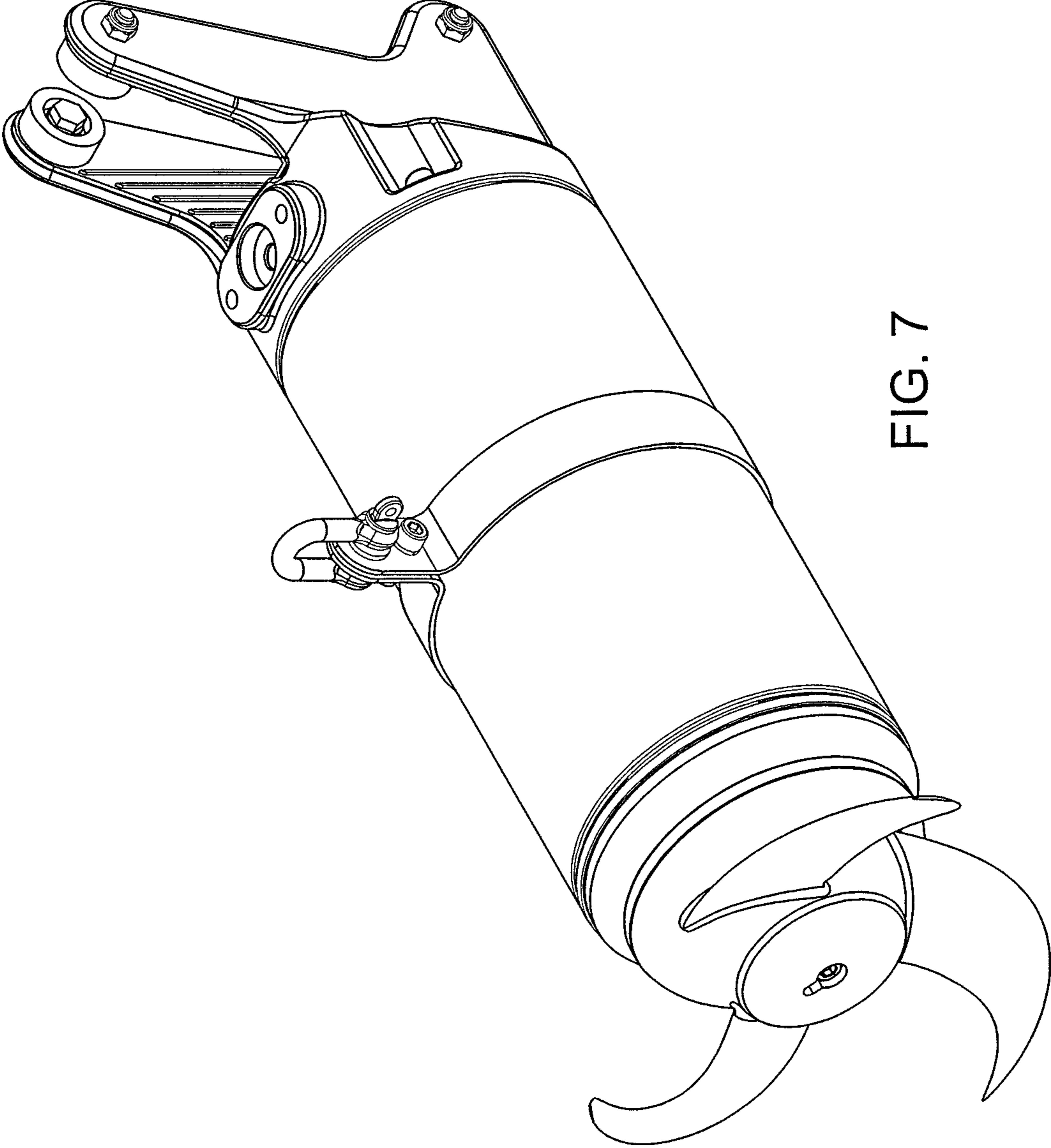


FIG. 7

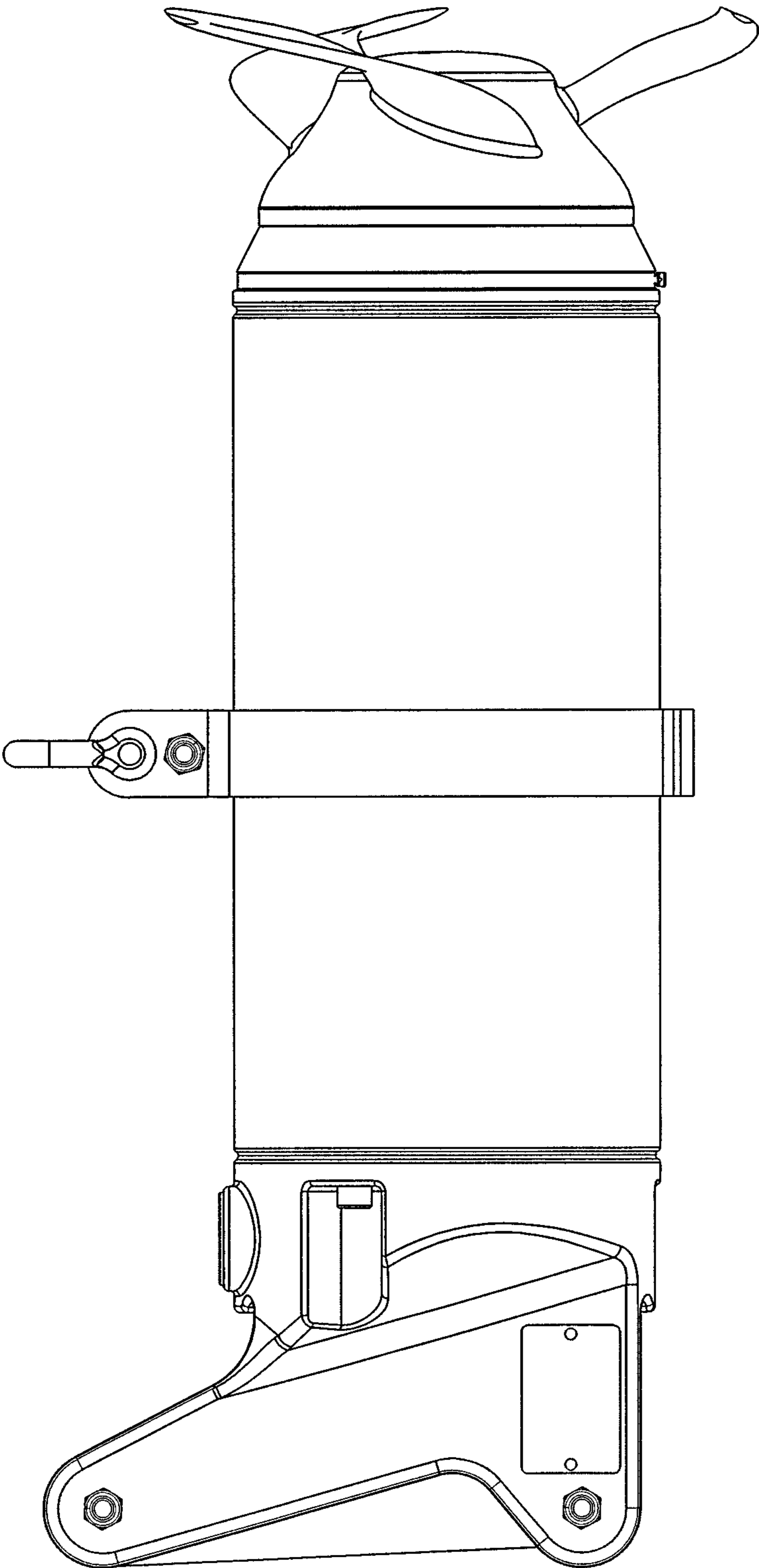


FIG. 8