



US00D705283S

(12) **United States Design Patent**  
**Kenji**

(10) **Patent No.:** **US D705,283 S**

(45) **Date of Patent:** **\*\* \*May 20, 2014**

(54) **COLLET CHUCK**

(75) Inventor: **Tokura Kenji**, Osaka (JP)

(73) Assignee: **Kyoshin Kogyo Co., Ltd.**, Osaka (JP)

(\*) Notice: This patent is subject to a terminal disclaimer.

(\*\*) Term: **14 Years**

(21) Appl. No.: **29/403,394**

(22) Filed: **Oct. 5, 2011**

(51) **LOC (10) Cl.** ..... **15-09**

(52) **U.S. Cl.**  
USPC ..... **D15/140**

(58) **Field of Classification Search**  
USPC ..... D8/61-71; D15/140; 81/429; 175/320,  
175/324, 393, 415; 279/4, 46, 60-64, 145,  
279/157, 901-902; 299/33; 409/182,  
409/231-233

See application file for complete search history.

(56) **References Cited**

**U.S. PATENT DOCUMENTS**

2,234,603	A *	3/1941	O'Connell	279/46.6
2,728,579	A *	12/1955	Djidich	279/43
3,152,810	A *	10/1964	Brinkman	279/46.3
3,168,325	A *	2/1965	Chittenden	279/51
3,512,792	A *	5/1970	Nickel et al.	279/51
4,249,748	A *	2/1981	Andrews	279/46.3
D326,102	S *	5/1992	Mizoguchi	D15/140
5,398,947	A *	3/1995	Cook	279/46.3
D437,865	S *	2/2001	Kladich	D15/140
D455,162	S *	4/2002	Lisowski	D15/140

6,568,889	B2 *	5/2003	Rohm	409/233
7,455,303	B2 *	11/2008	Draudt et al.	279/63
2002/0053770	A1 *	5/2002	Hangleiter	279/2.02
2005/0180831	A1 *	8/2005	Miller	409/232
2006/0061048	A1 *	3/2006	Puzio et al.	279/60
2013/0089385	A1 *	4/2013	Bozkurt	408/147

**OTHER PUBLICATIONS**

<http://profitablehobbies.com>.\*

\* cited by examiner

*Primary Examiner* — Patricia Palasik

(74) *Attorney, Agent, or Firm* — Konomi Takeshita

(57) **CLAIM**

The ornamental design for a collet chuck, as shown and described.

**DESCRIPTION**

FIG. 1 is a perspective view of a collet chuck, showing my new design;

FIG. 2 is a front view, the rear view being a mirror image thereof;

FIG. 3 is a left side view thereof;

FIG. 4 is a right side view thereof;

FIG. 5 is a plan view thereof;

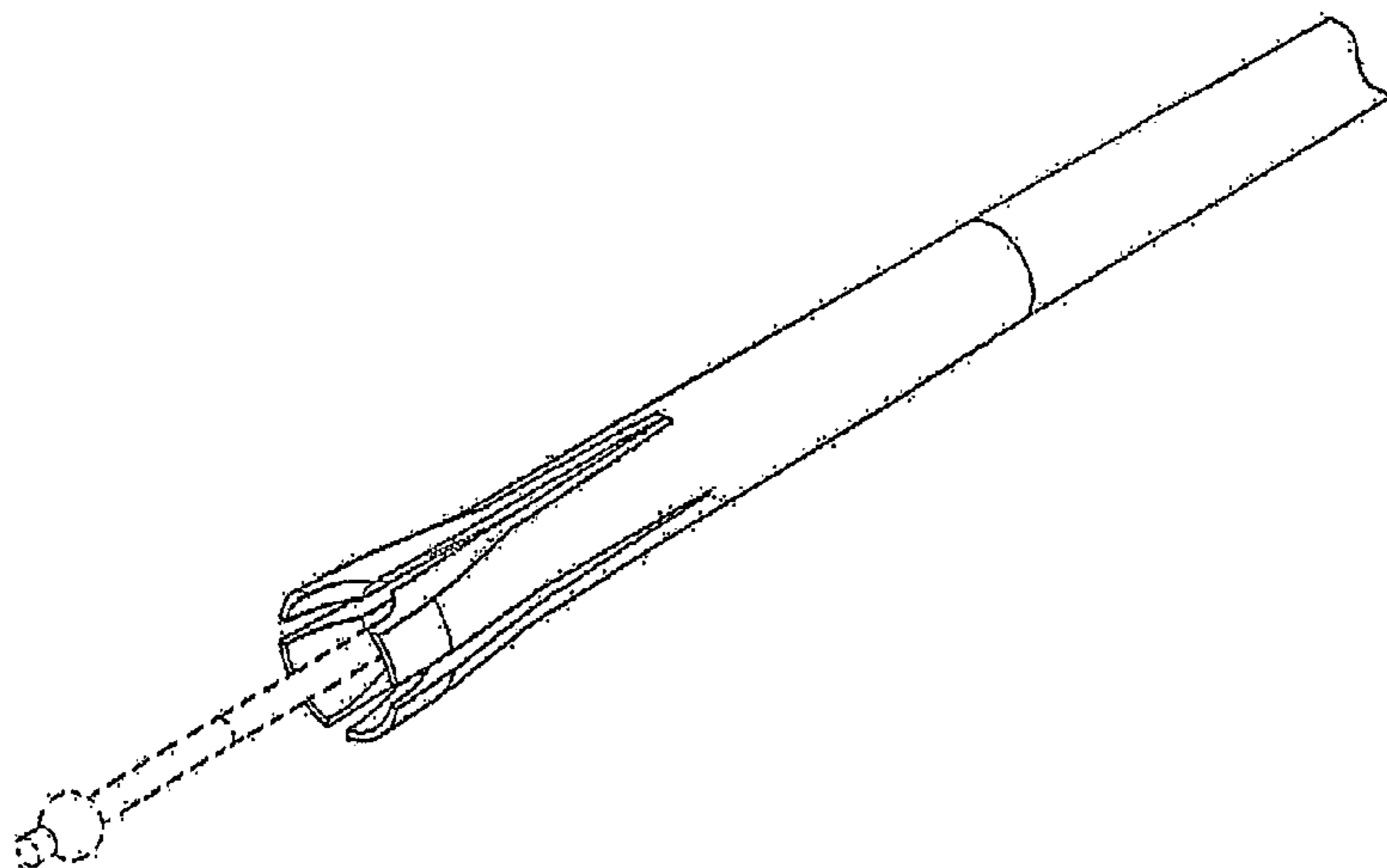
FIG. 6 is a bottom view thereof;

FIG. 7 is a cross-sectional view thereof, taken along line 7-7 of FIG. 3; and,

FIG. 8 is a view illustrating a use of the collet chuck; the broken line showing of the billet for enlarging forms no part of the claimed design.

The claimed collet chuck has a structure in which a fore-end of a cylinder is divided into four parts and slits are formed between the divided parts. The collet chuck clamps and supports a product to be processed on the outside thereof.

**1 Claim, 3 Drawing Sheets**



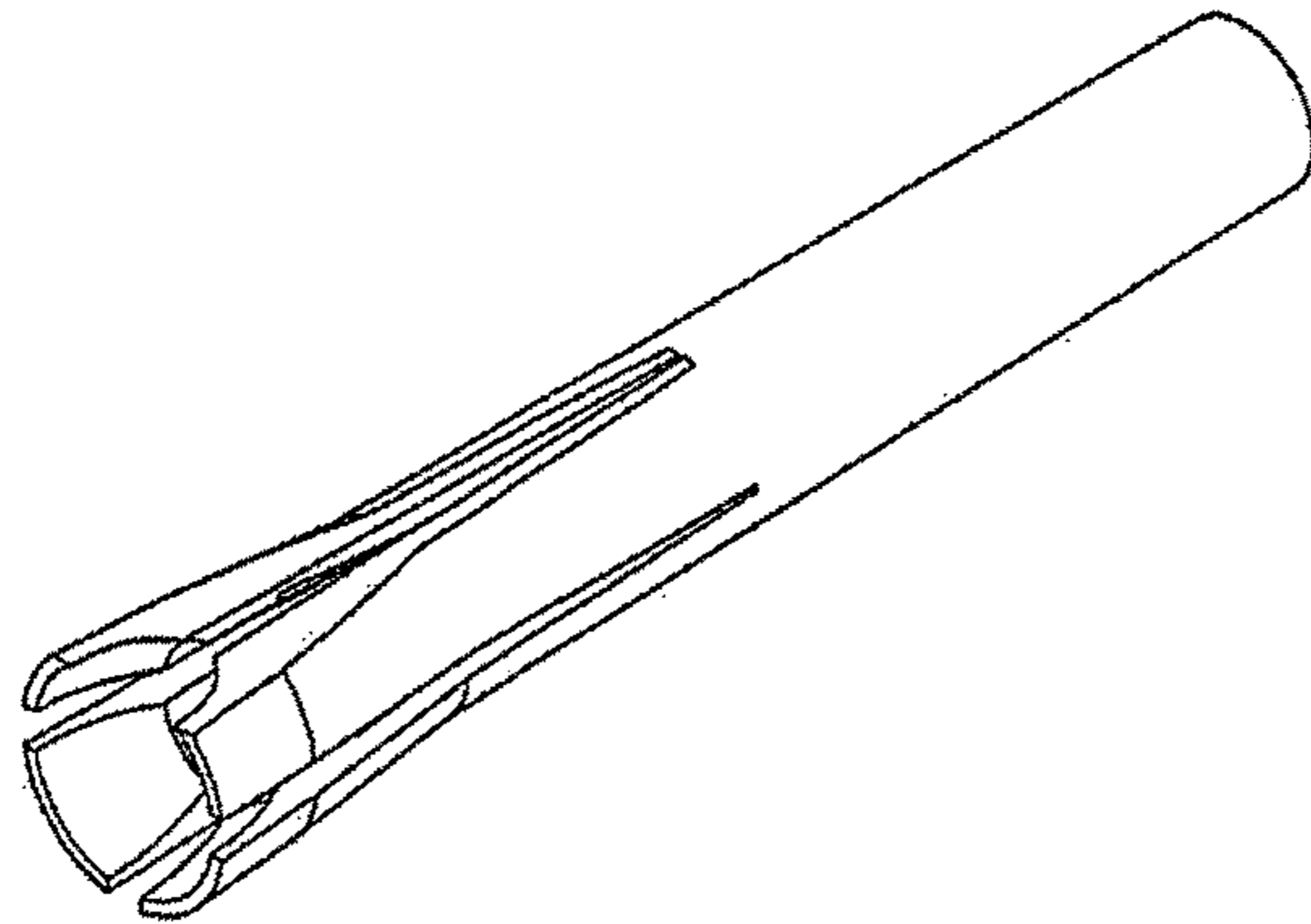


FIG. 1

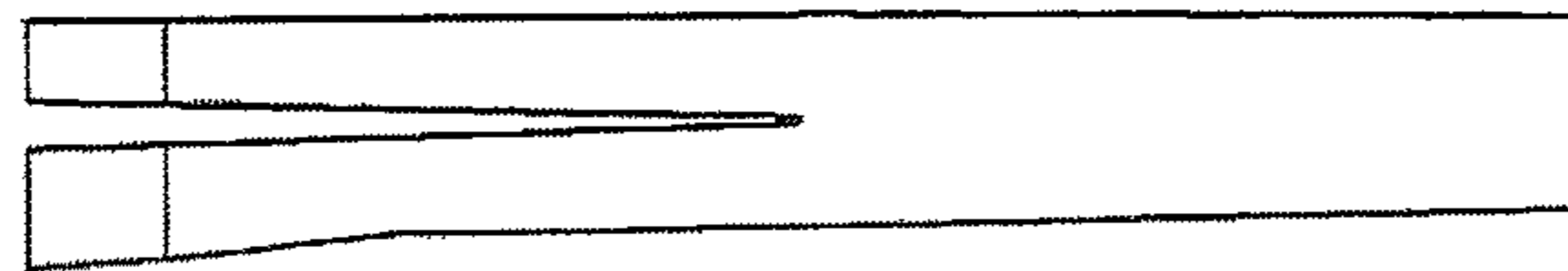


FIG. 2

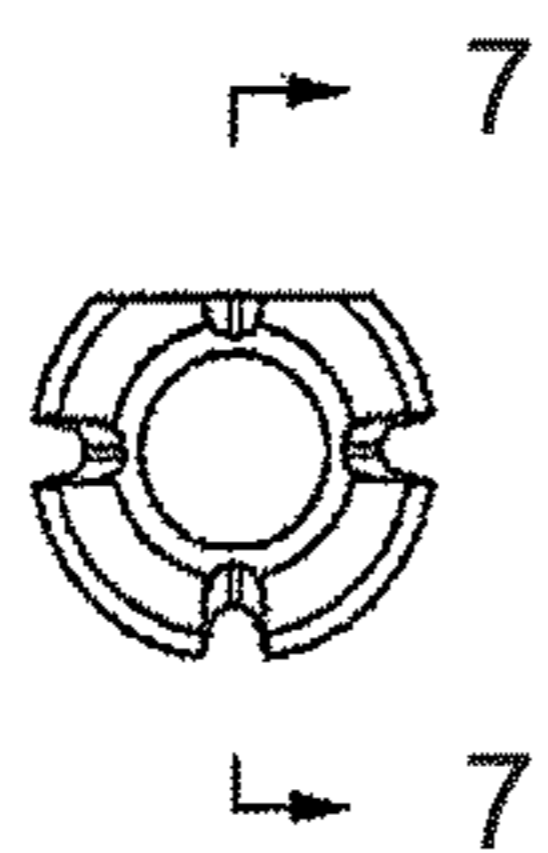


FIG. 3

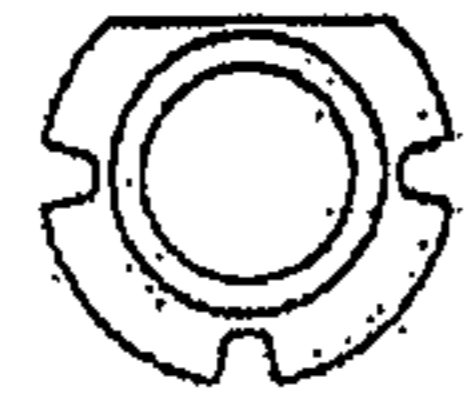


FIG. 4

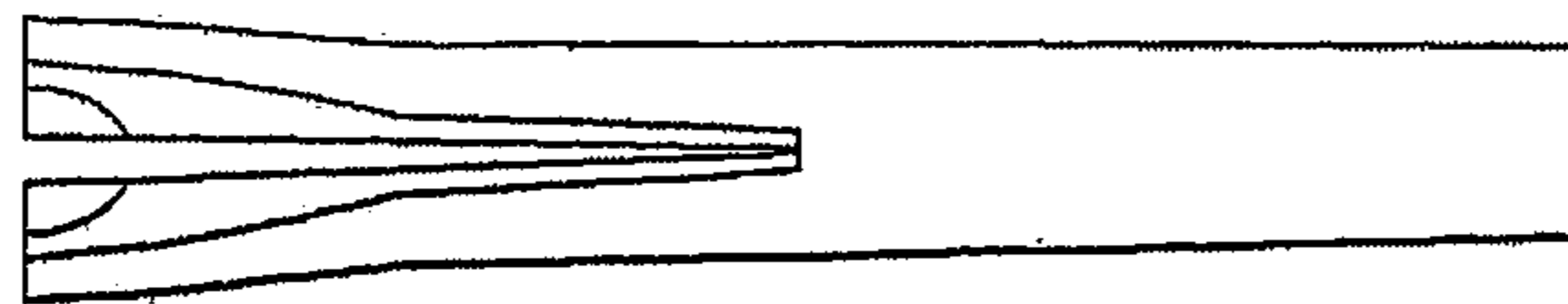


FIG. 5

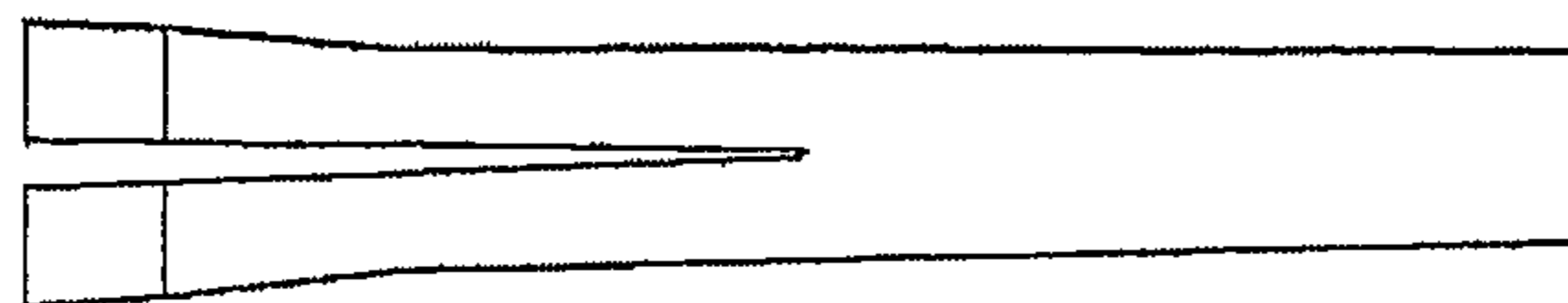


FIG. 6

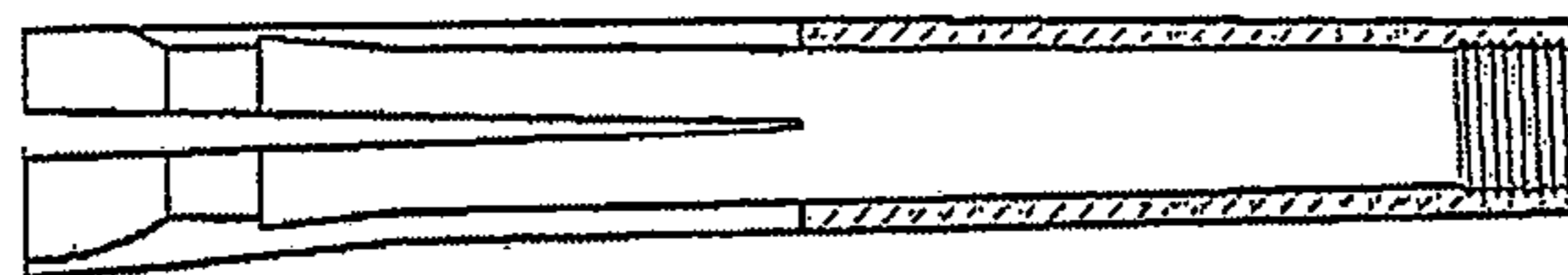


FIG. 7

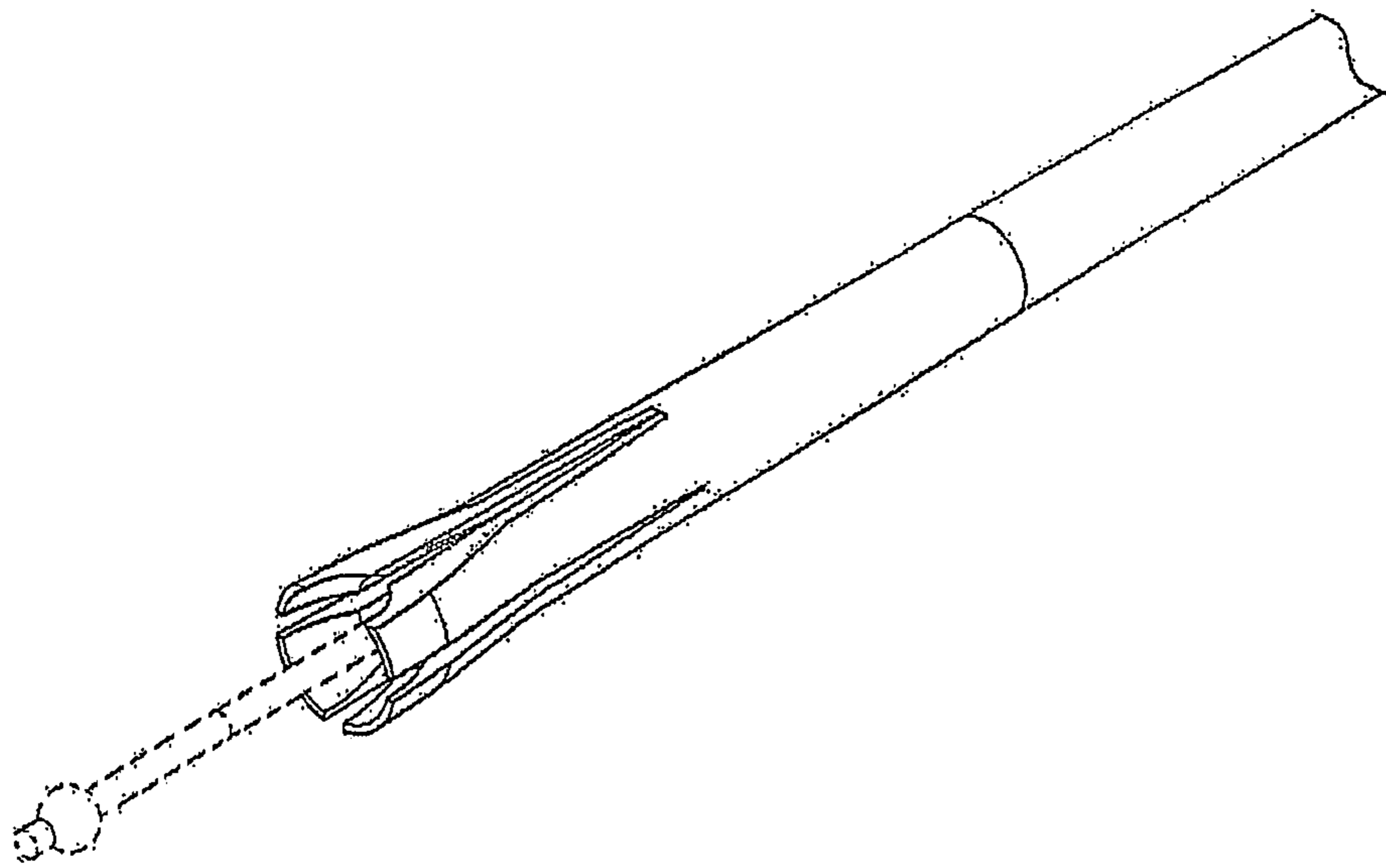


FIG.8

UNITED STATES PATENT AND TRADEMARK OFFICE

**CERTIFICATE OF CORRECTION**

PATENT NO. : D705,283 S  
APPLICATION NO. : 29/403394  
DATED : May 20, 2014  
INVENTOR(S) : Tokura Kenji

Page 1 of 1

It is certified that error appears in the above-identified patent and that said Letters Patent is hereby corrected as shown below:

On the Title Page

Item (30), "Foreign Application Priority Data" should be added. Such foreign application priority data should read:

--(30) Foreign Application Priority Data  
April 6, 2011 (KR) -----30-2011-0013842--

Signed and Sealed this  
Thirteenth Day of June, 2017



Joseph Matal  
*Performing the Functions and Duties of the  
Under Secretary of Commerce for Intellectual Property and  
Director of the United States Patent and Trademark Office*