



US00D705282S

(12) **United States Design Patent**  
**Jones, Jr.**

(10) **Patent No.:** **US D705,282 S**  
(45) **Date of Patent:** **\*\* May 20, 2014**

(54) **DRILL BIT FOR ENGAGING A JACK CRANK**

(71) Applicant: **Farrell B. Jones, Jr.**, Kearns, UT (US)

(72) Inventor: **Farrell B. Jones, Jr.**, Kearns, UT (US)

(\*\*) Term: **14 Years**

(21) Appl. No.: **29/443,336**

(22) Filed: **Jan. 16, 2013**

(51) **LOC (10) Cl.** ..... **15-09**

(52) **U.S. Cl.**  
USPC ..... **D15/139**

(58) **Field of Classification Search**  
USPC ..... D8/29, 70; D15/138, 139; 279/46.6,  
279/152; 408/17, 71, 112, 115 B  
See application file for complete search history.

(56) **References Cited**

U.S. PATENT DOCUMENTS

3,490,547	A	1/1970	Stewart	
4,749,169	A	6/1988	Pickles	
5,048,378	A	9/1991	Nikolas	
D358,082	S	5/1995	Trezza	
5,638,577	A	6/1997	Gooding et al.	
5,897,121	A	4/1999	Case	
6,010,154	A	1/2000	Payne et al.	
D459,961	S	7/2002	Carroll	
6,526,850	B1	3/2003	Miller	
6,715,384	B1 *	4/2004	Kozak	81/124.2

6,901,825	B1	6/2005	Lebron	
7,752,946	B2 *	7/2010	Wang	81/125
D646,939	S *	10/2011	Johnson	D8/29

\* cited by examiner

*Primary Examiner* — Patricia Palasik

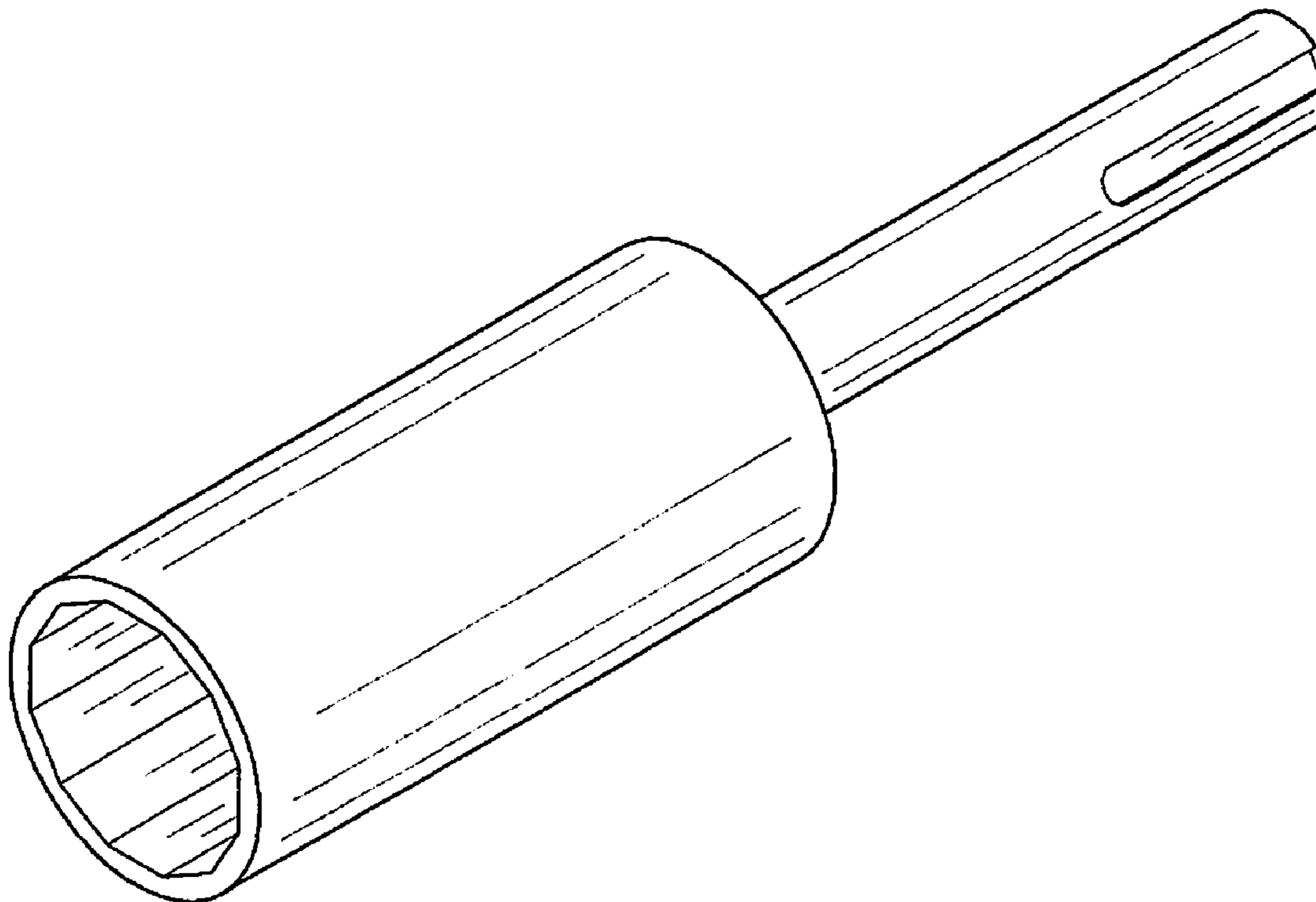
(57) **CLAIM**

The ornamental design for a drill bit for engaging a jack crank, as shown and described.

**DESCRIPTION**

FIG. 1 is a top plan view showing my new design of a drill bit for engaging a jack crank;  
 FIG. 2 is a bottom plan view of the drill bit for engaging a jack crank;  
 FIG. 3 is a right side view of the drill bit for engaging a jack crank;  
 FIG. 4 is a left side view of the drill bit for engaging a jack crank;  
 FIG. 5 is a front side elevation view of the drill bit for engaging a jack crank, wherein the lines in phantom are for environment only and form no portion of the claimed invention;  
 FIG. 6 is a right side perspective view of the drill bit for engaging a jack crank;  
 FIG. 7 is a left side perspective view of the drill bit for engaging a jack crank; and,  
 FIG. 8 is a cross-sectional view of the drill bit for engaging a jack crank taken along line 8-8 of FIG. 3 to illustrate a depth of a well extending therein.

**1 Claim, 3 Drawing Sheets**



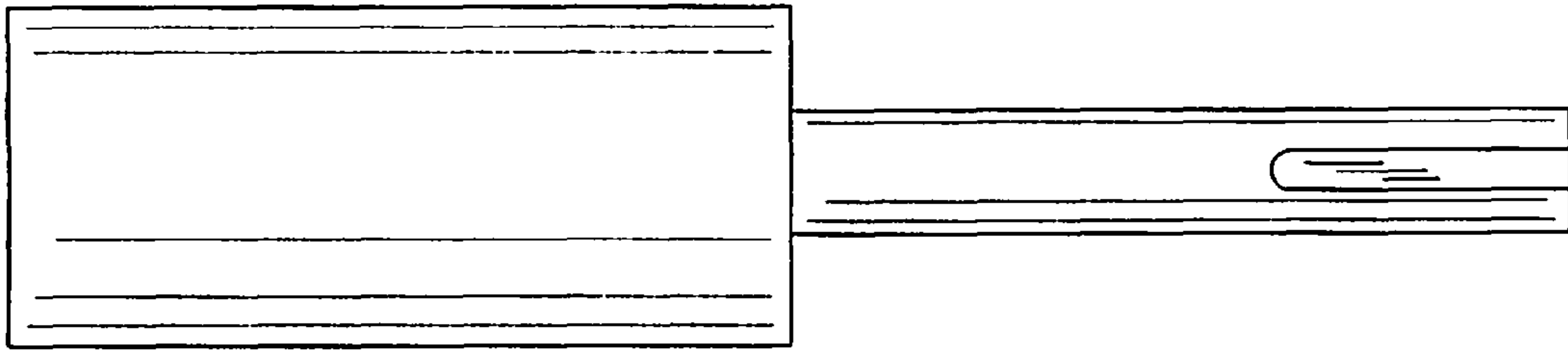


FIG. 1

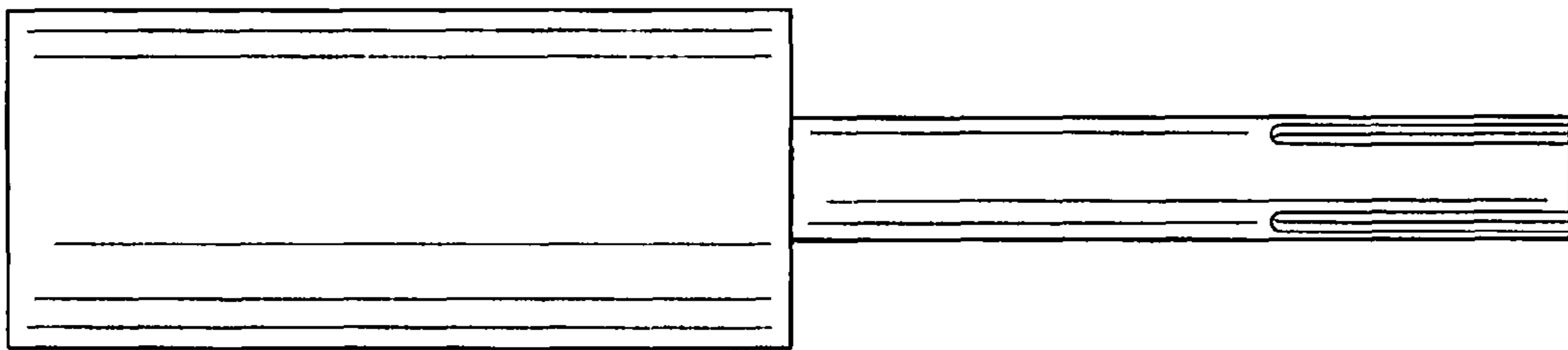


FIG. 2

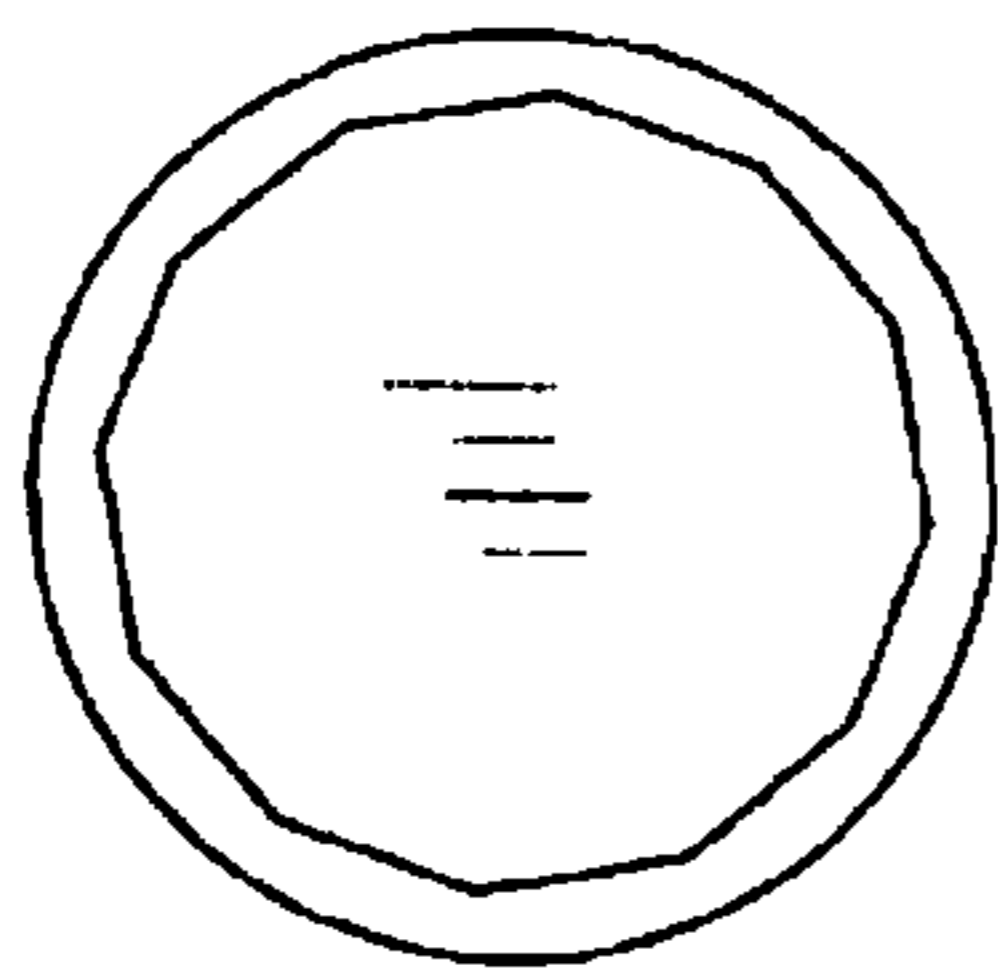


FIG. 3

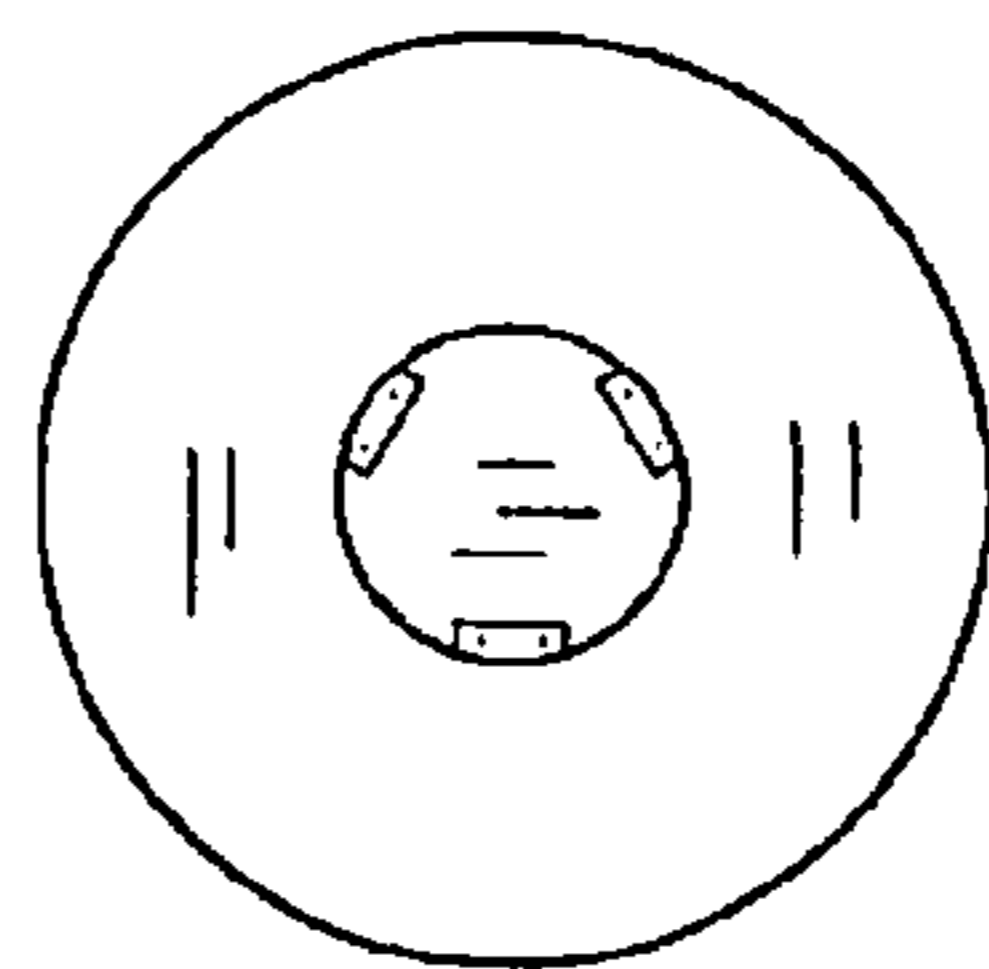


FIG. 4

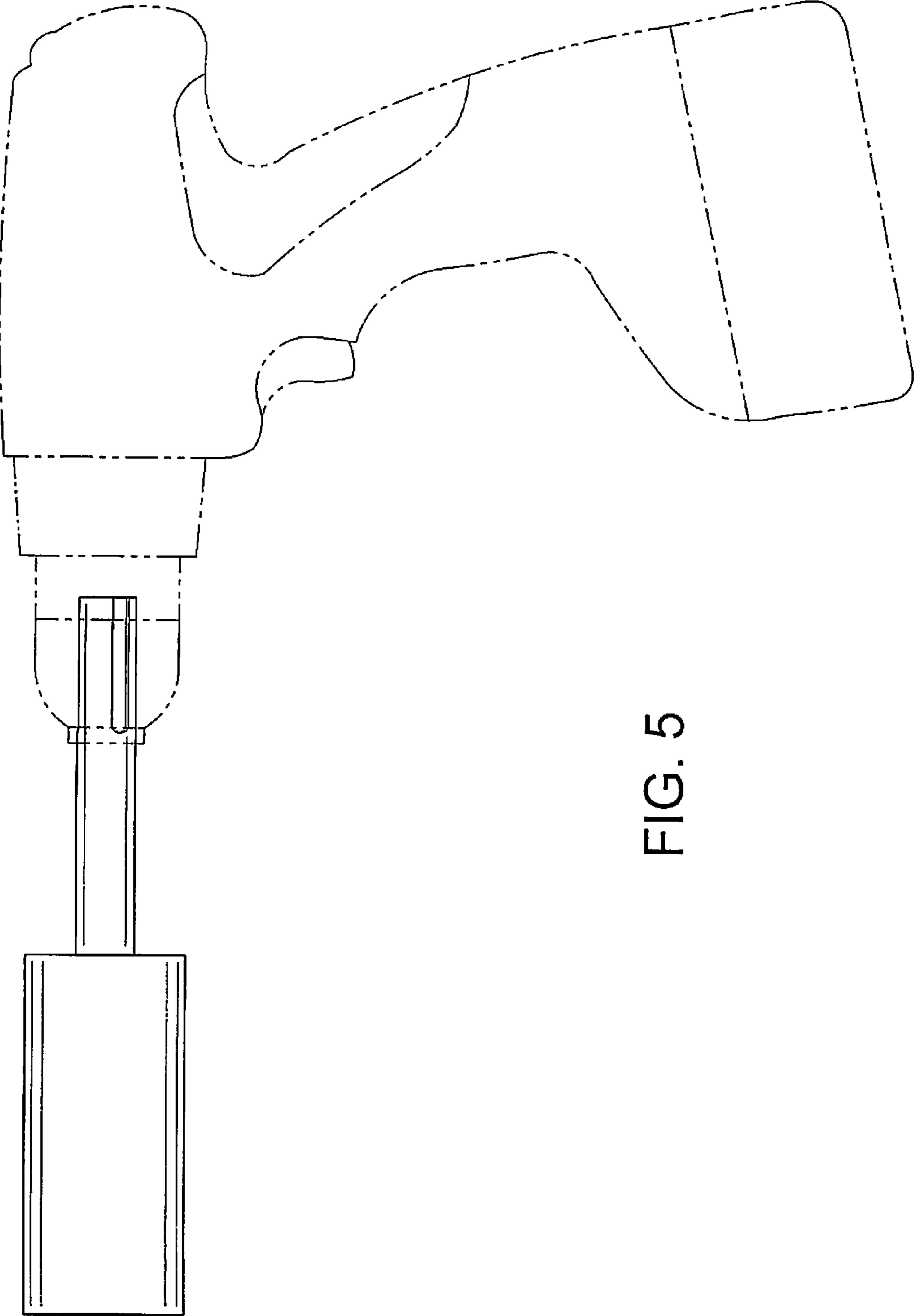


FIG. 5

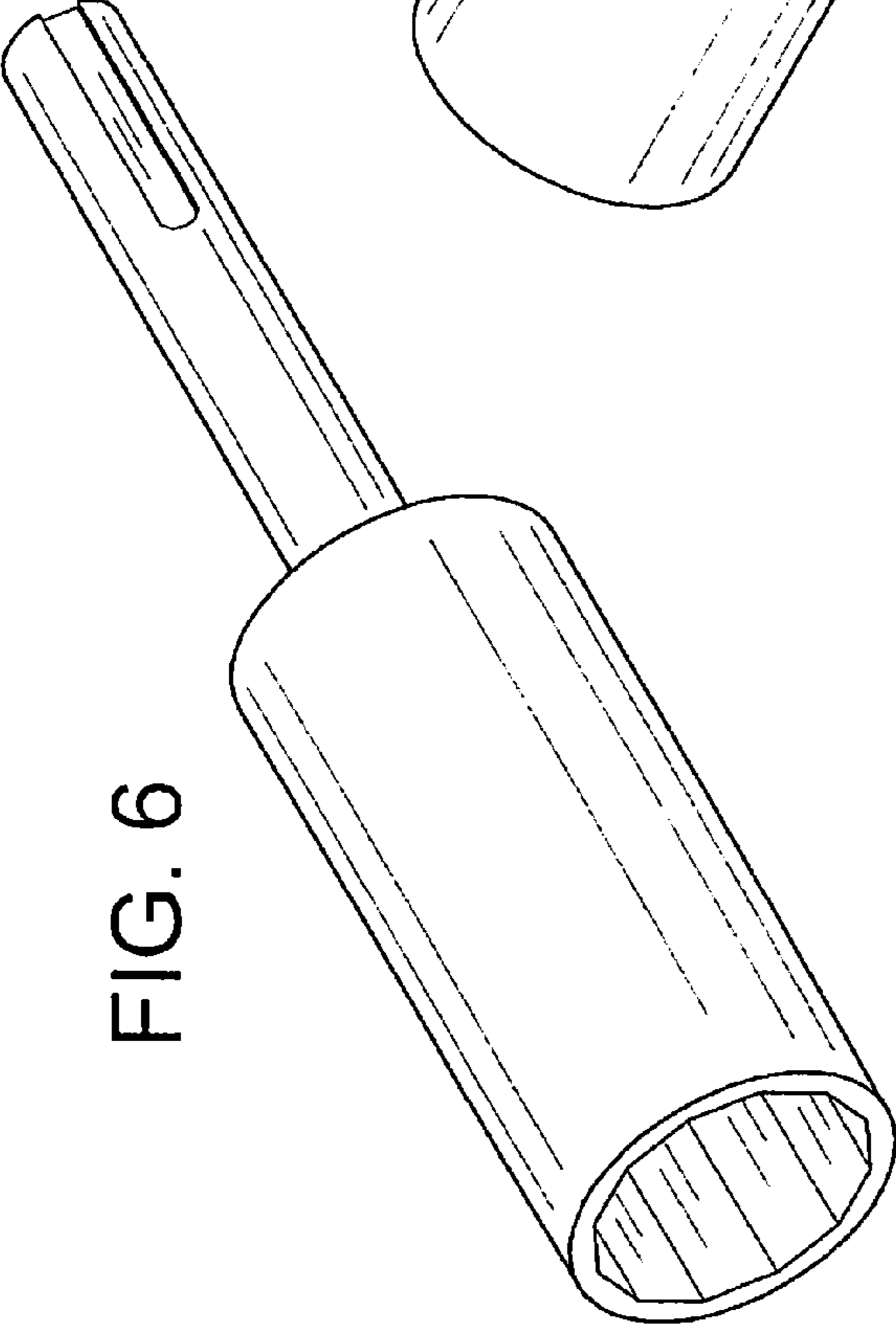


FIG. 6

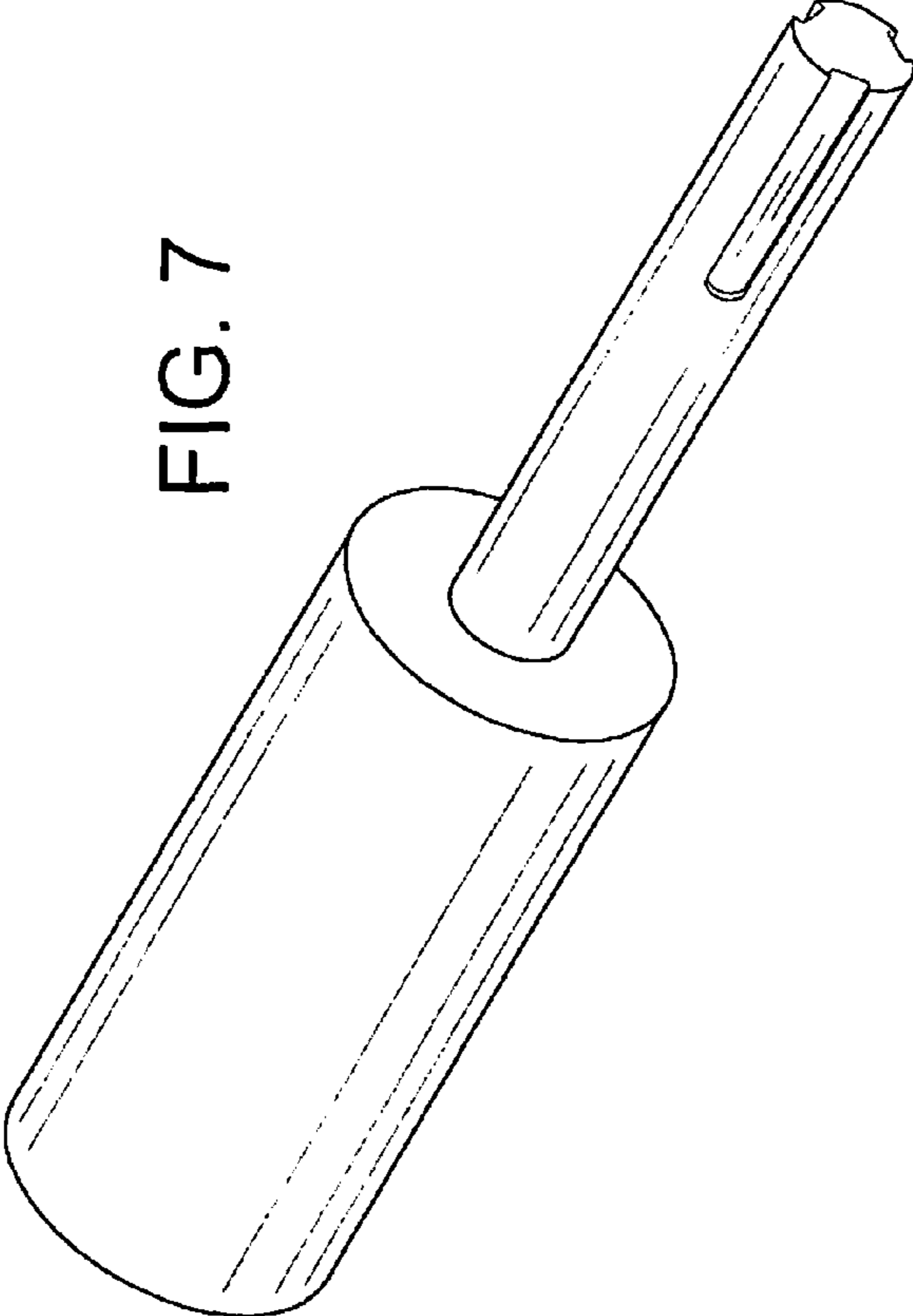


FIG. 7

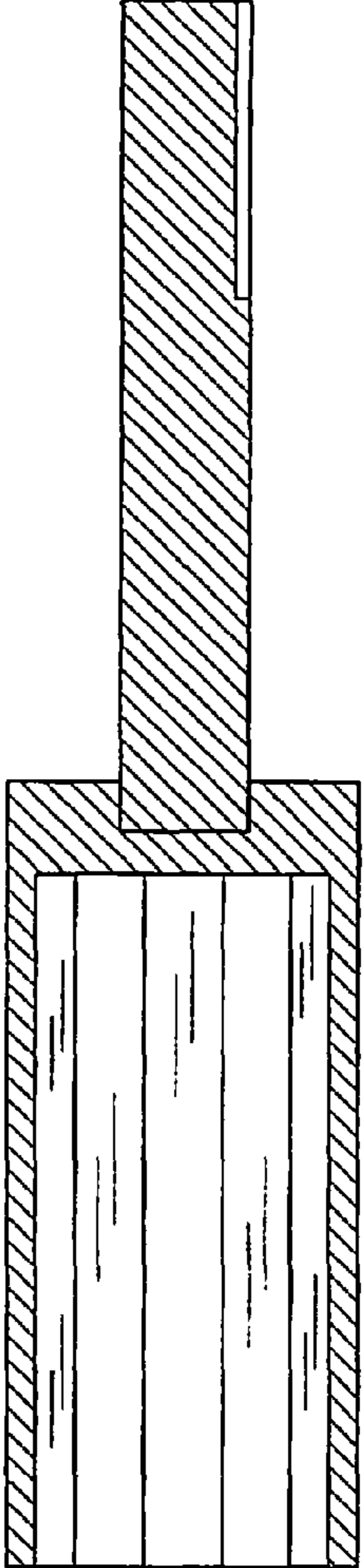


FIG. 8