



US00D705280S

(12) **United States Design Patent**  
**Kimura et al.**

(10) **Patent No.:** **US D705,280 S**

(45) **Date of Patent:** **\*\* May 20, 2014**

(54) **SEALING RING**

(71) Applicant: **Ebara Corporation**, Tokyo (JP)

(72) Inventors: **Masaaki Kimura**, Tokyo (JP);  
**Mitsutoshi Yahagi**, Tokyo (JP); **Jumpei Fujikata**, Tokyo (JP)

(73) Assignee: **Ebara Corporation**, Tokyo (JP)

(\*\*) Term: **14 Years**

(21) Appl. No.: **29/460,477**

(22) Filed: **Jul. 11, 2013**

(51) **LOC (10) Cl.** ..... **15-09**

(52) **U.S. Cl.**

USPC ..... **D15/138**; D15/143

(58) **Field of Classification Search**

USPC ..... D15/138, 139, 143; D23/262, 269;  
277/351-359, 504, 563, 572;  
384/484-488

See application file for complete search history.

(56) **References Cited**

**U.S. PATENT DOCUMENTS**

D243,406 S \* 2/1977 Mooney et al. .... D13/154  
D347,885 S \* 6/1994 Gustafsson ..... D23/269  
D649,986 S \* 12/2011 Fujikata et al. .... D15/138

**FOREIGN PATENT DOCUMENTS**

JP D1362608 S 6/2009  
JP D1362609 S 6/2009

\* cited by examiner

*Primary Examiner* — Patricia Palasik

(74) *Attorney, Agent, or Firm* — Pearne & Gordon LLP

(57) **CLAIM**

The ornamental design for a sealing ring, shown and described.

**DESCRIPTION**

FIG. 1 is a perspective view of a first sealing ring showing our new design;

FIG. 2 is a top plan view thereof;

FIG. 3 is a bottom plan view thereof;

FIG. 4 is a front view thereof;

FIG. 5 is a rear view thereof;

FIG. 6 is a right side view of thereof, a left side view being identical thereto;

FIG. 7 is an enlarged perspective view, observed from above thereof;

FIG. 8 is an enlarged plane view, observed from above thereof;

FIG. 9 is an enlarged cross-section view taken along the line 9-9 of FIG. 8 thereof;

FIG. 10 is a perspective view of a second sealing ring showing our new design;

FIG. 11 is a top plan view thereof;

FIG. 12 is a bottom plan view thereof;

FIG. 13 is a front view thereof;

FIG. 14 is a rear view thereof;

FIG. 15 is a right side view thereof, a left side view being identical thereto;

FIG. 16 is an enlarged perspective view, observed from above thereof;

FIG. 17 is an enlarged plane view, observed from above thereof; and,

FIG. 18 is an enlarged cross-section view taken along the line 18-18 of FIG. 17 thereof.

The particular cross-hatching patterns in FIGS. 9 and 18 do not represent any particular materials.

The environmental structures shown in FIGS. 1-6 and 10-15 depict unclaimed environmental subject matter.

**1 Claim, 6 Drawing Sheets**

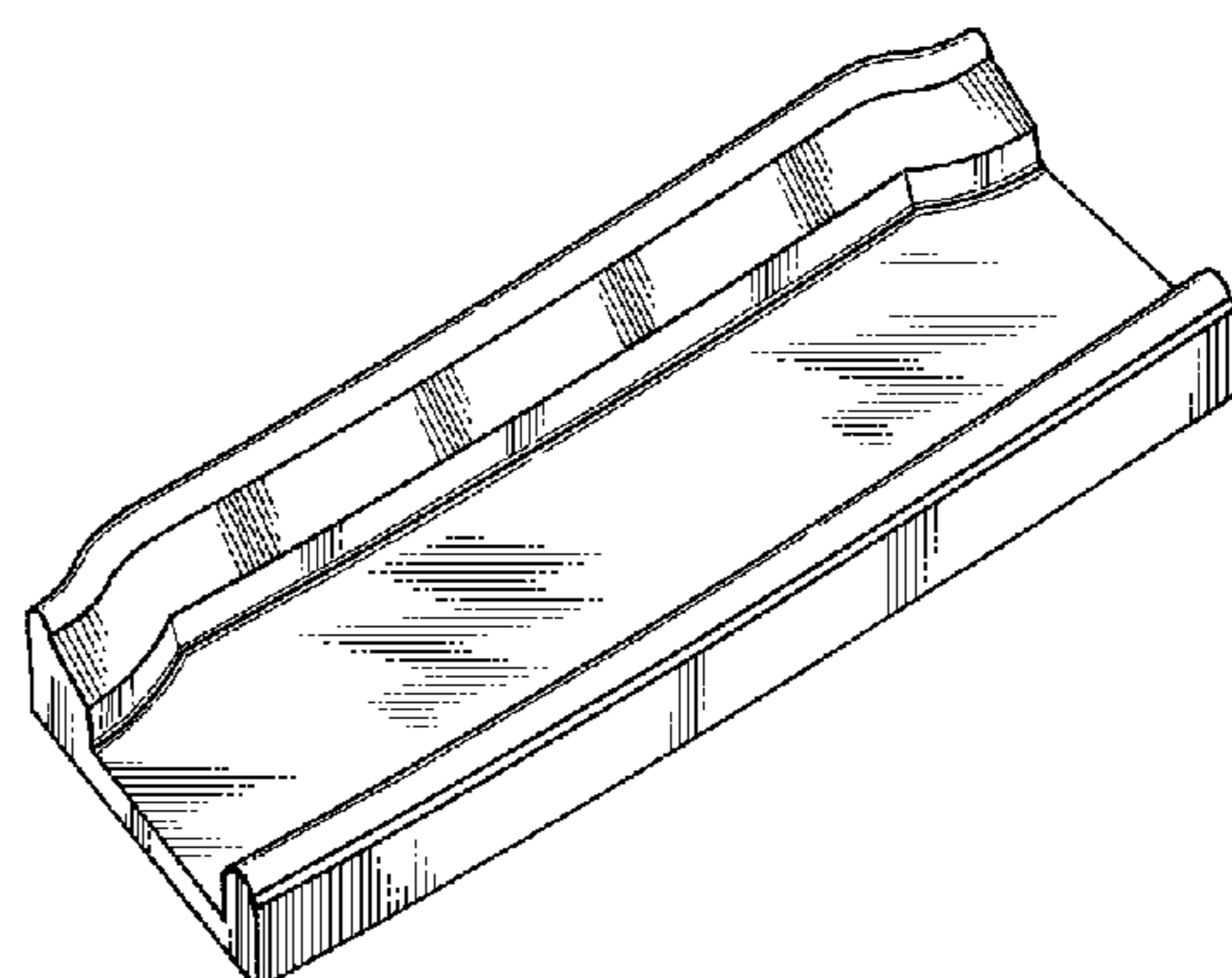
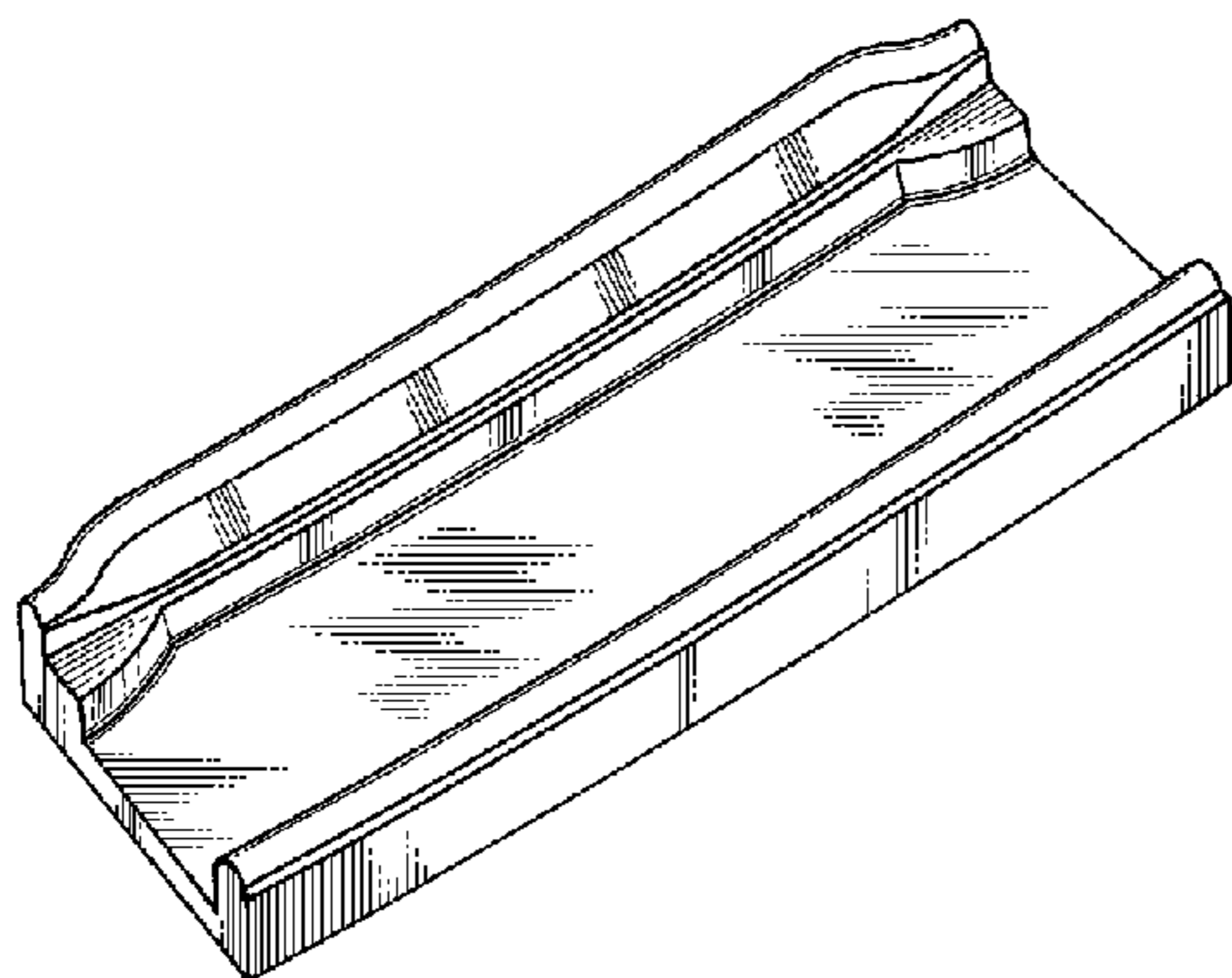


FIG. 1



FIG. 2

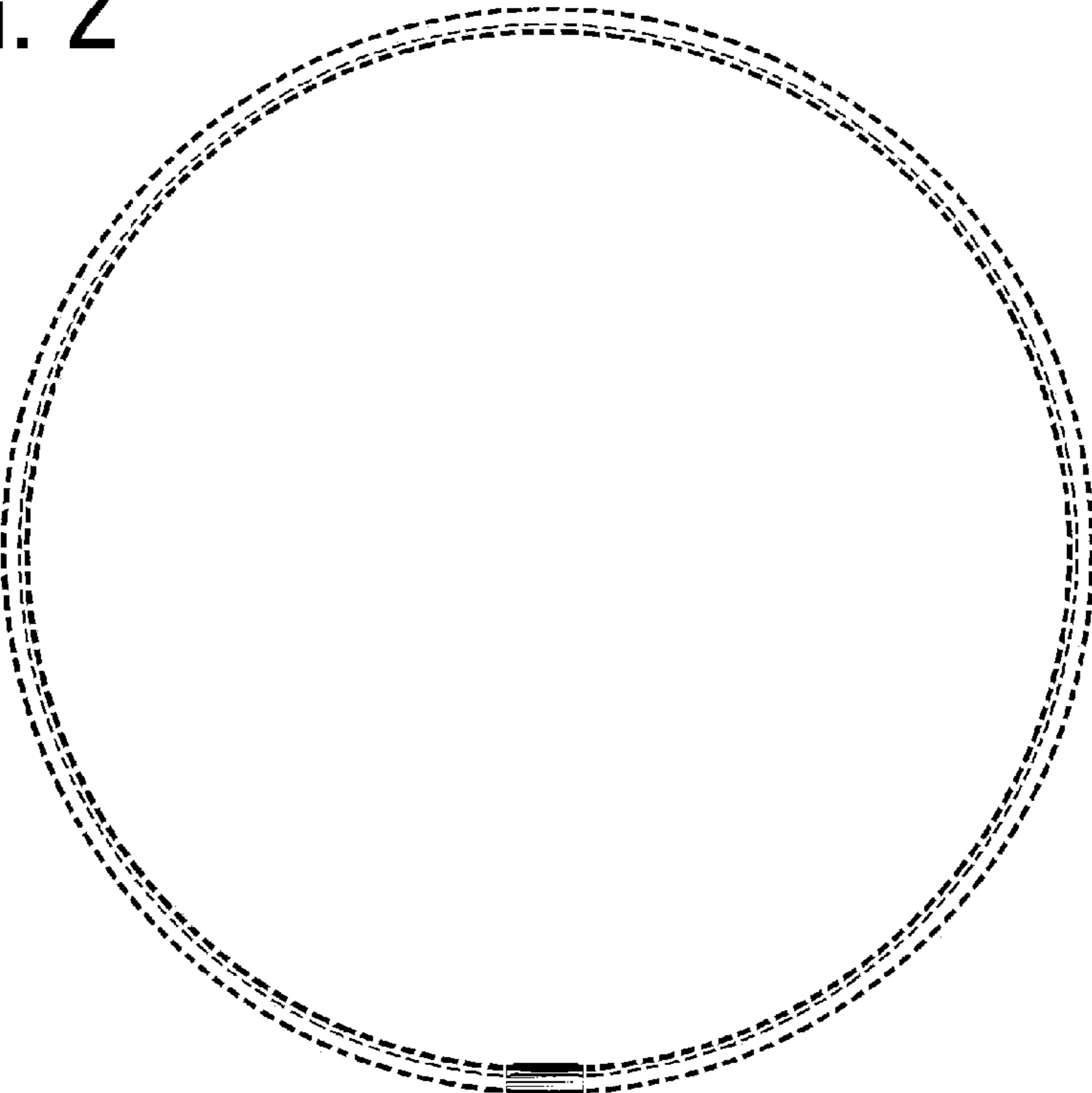


FIG. 3

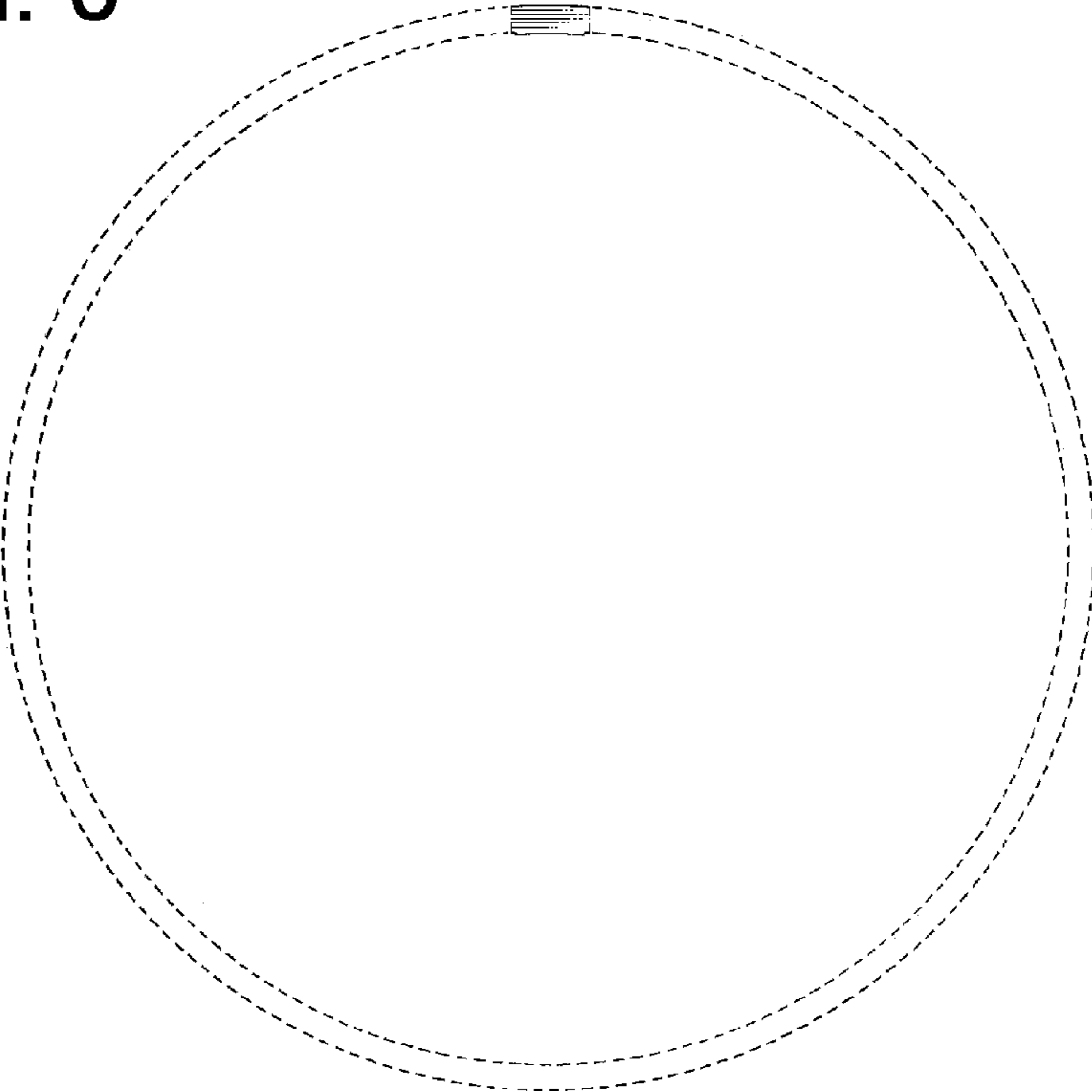


FIG. 4

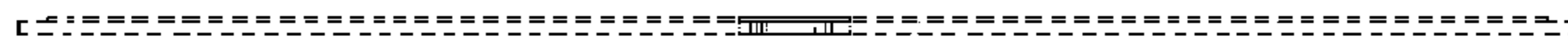


FIG. 5

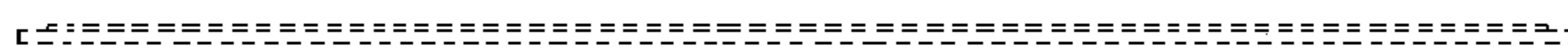


FIG. 6

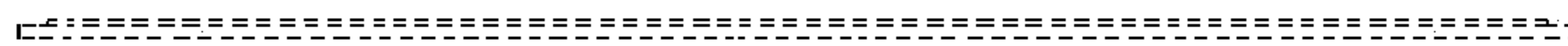


FIG. 7

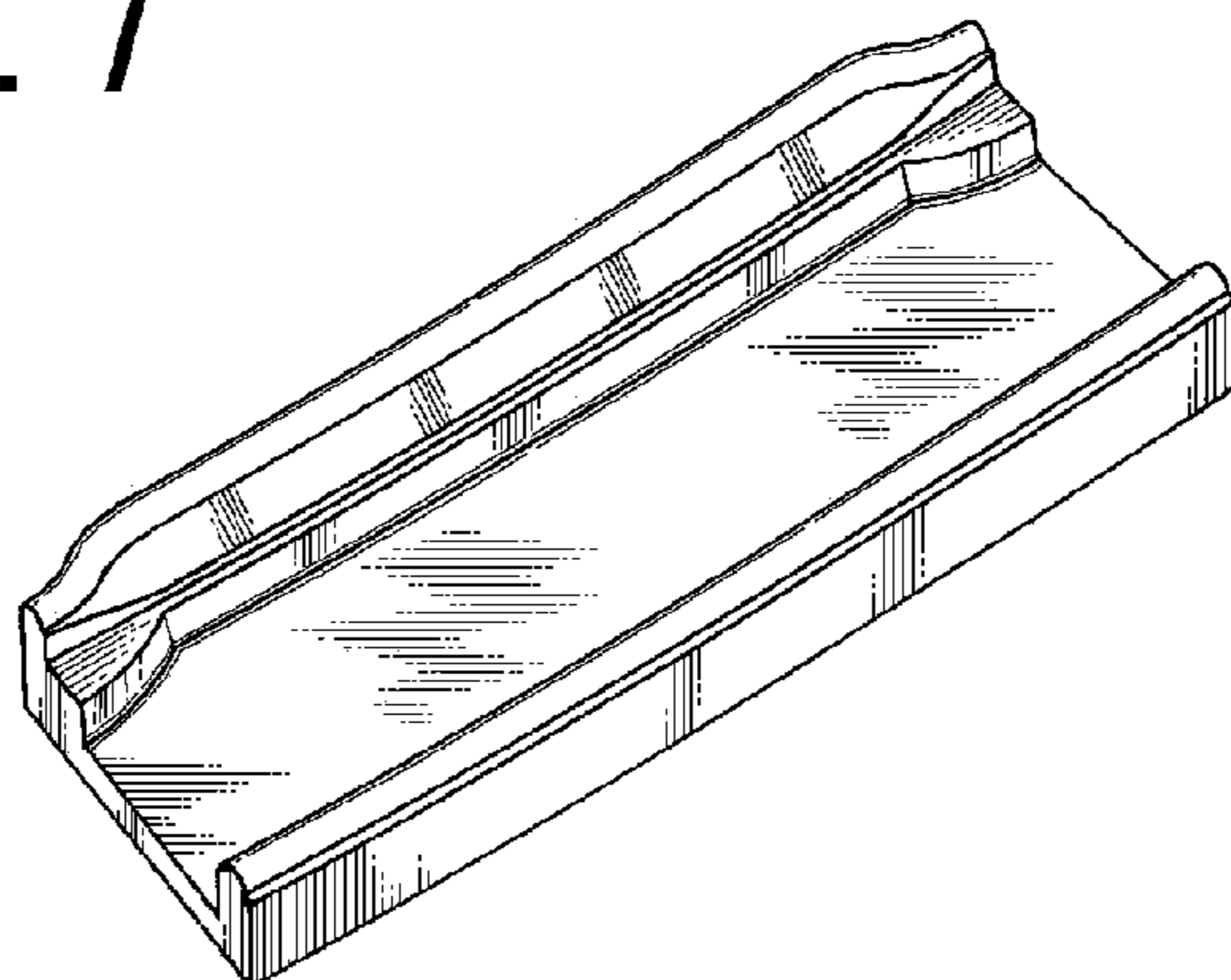


FIG. 8

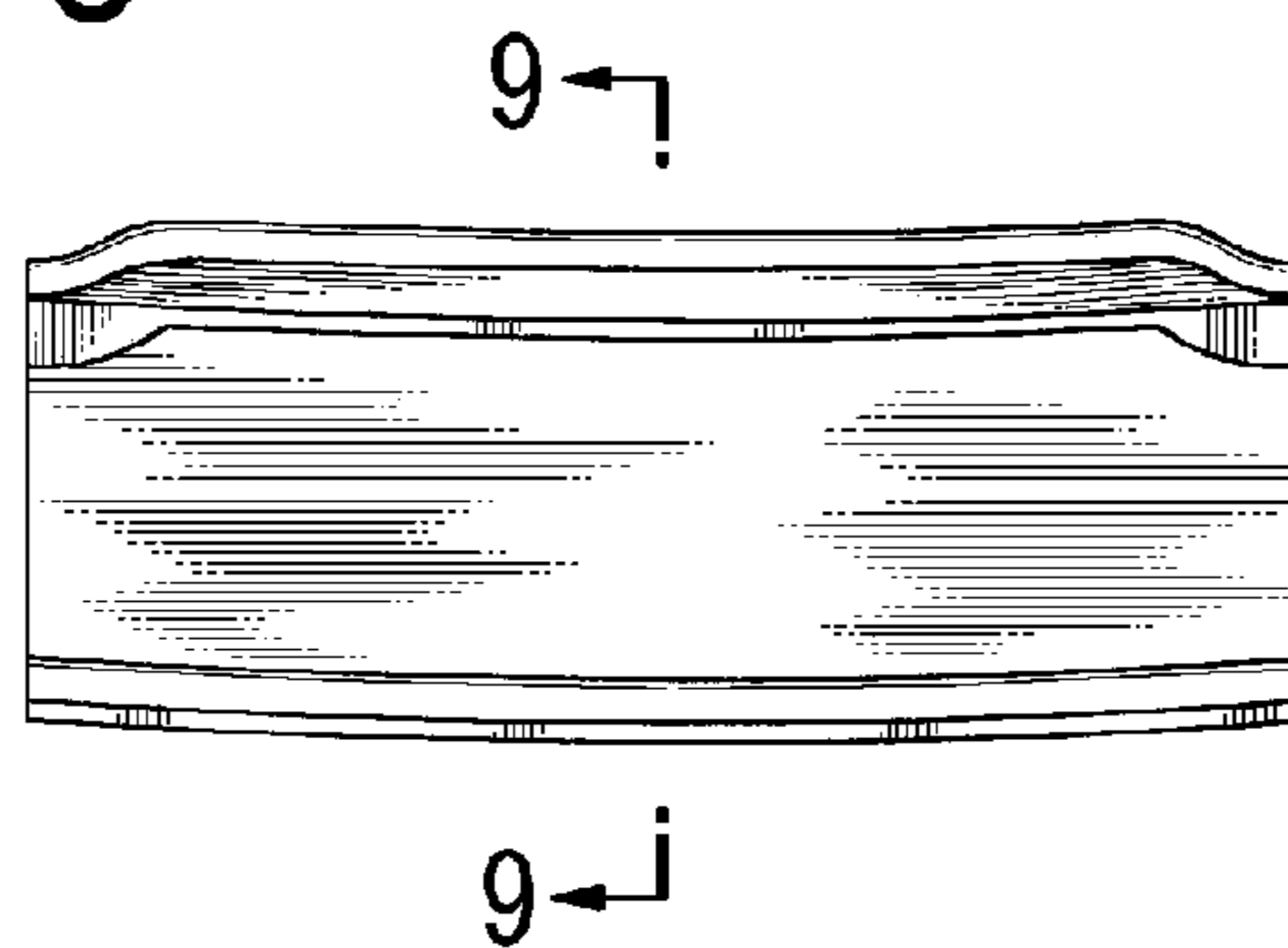


FIG. 9

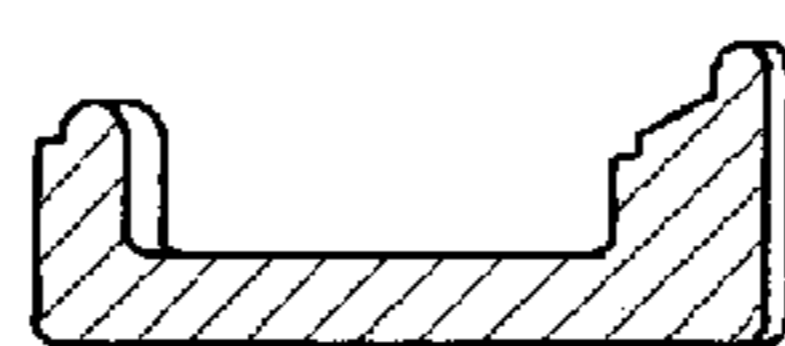


FIG. 10

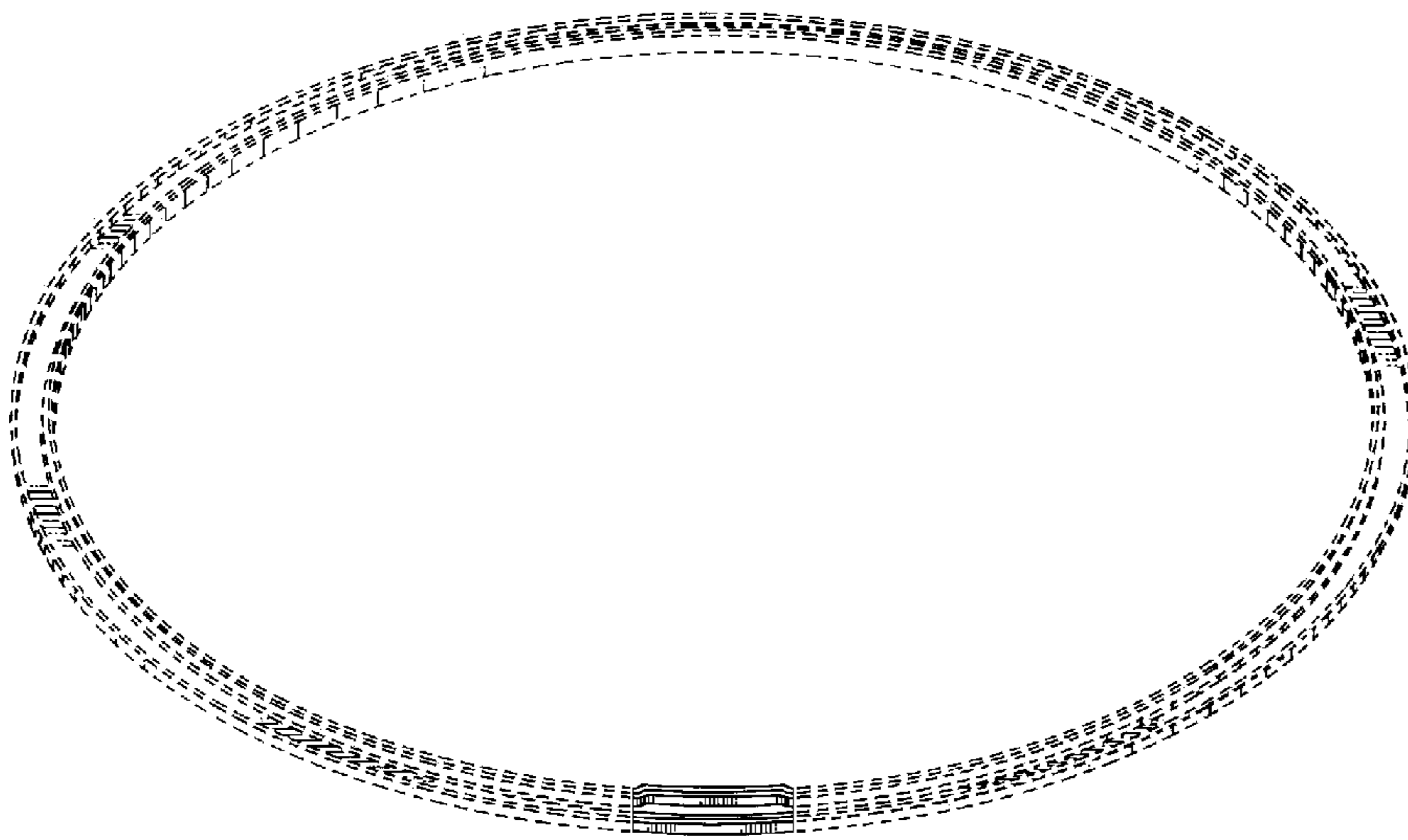


FIG. 11

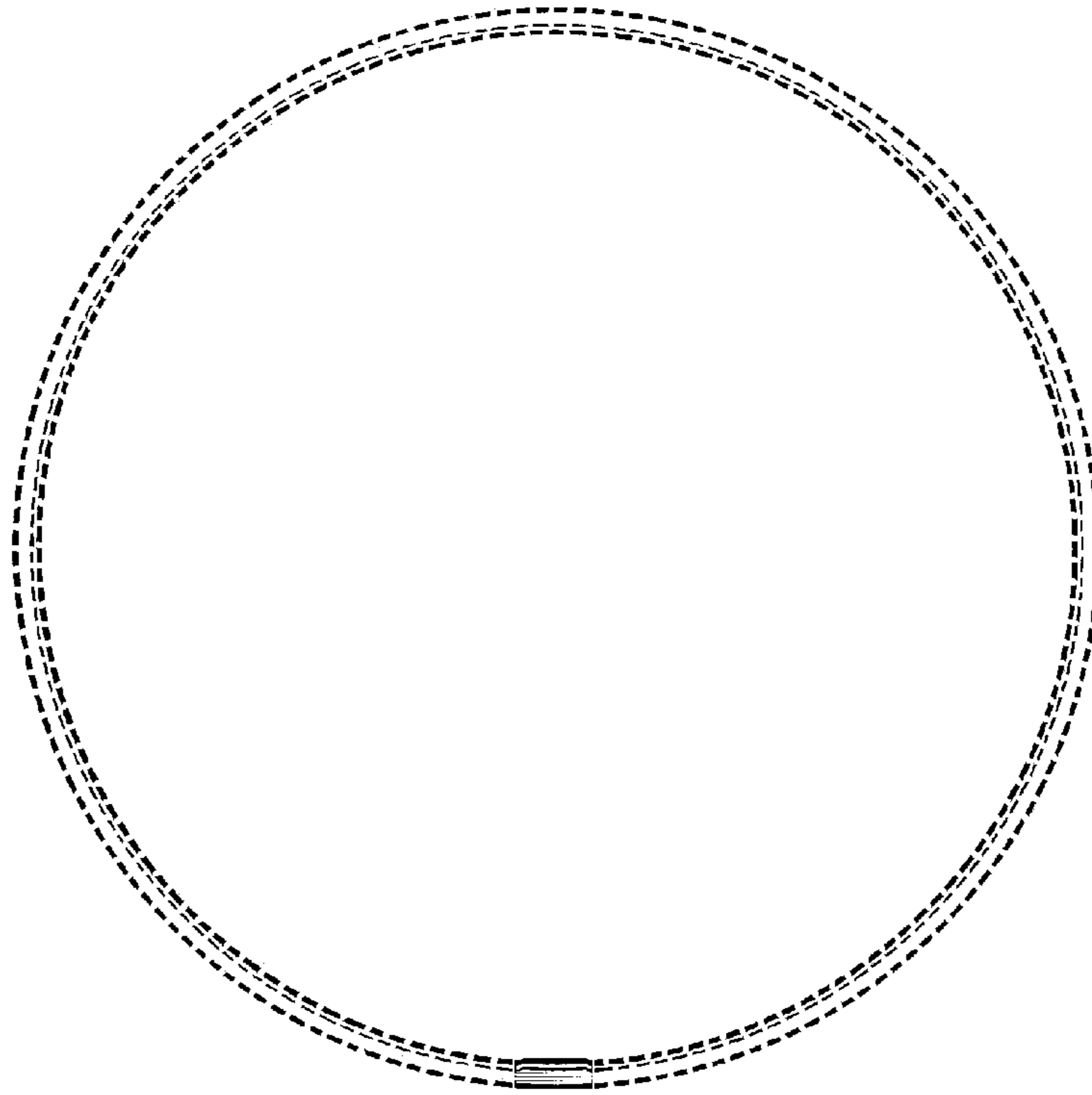


FIG. 12

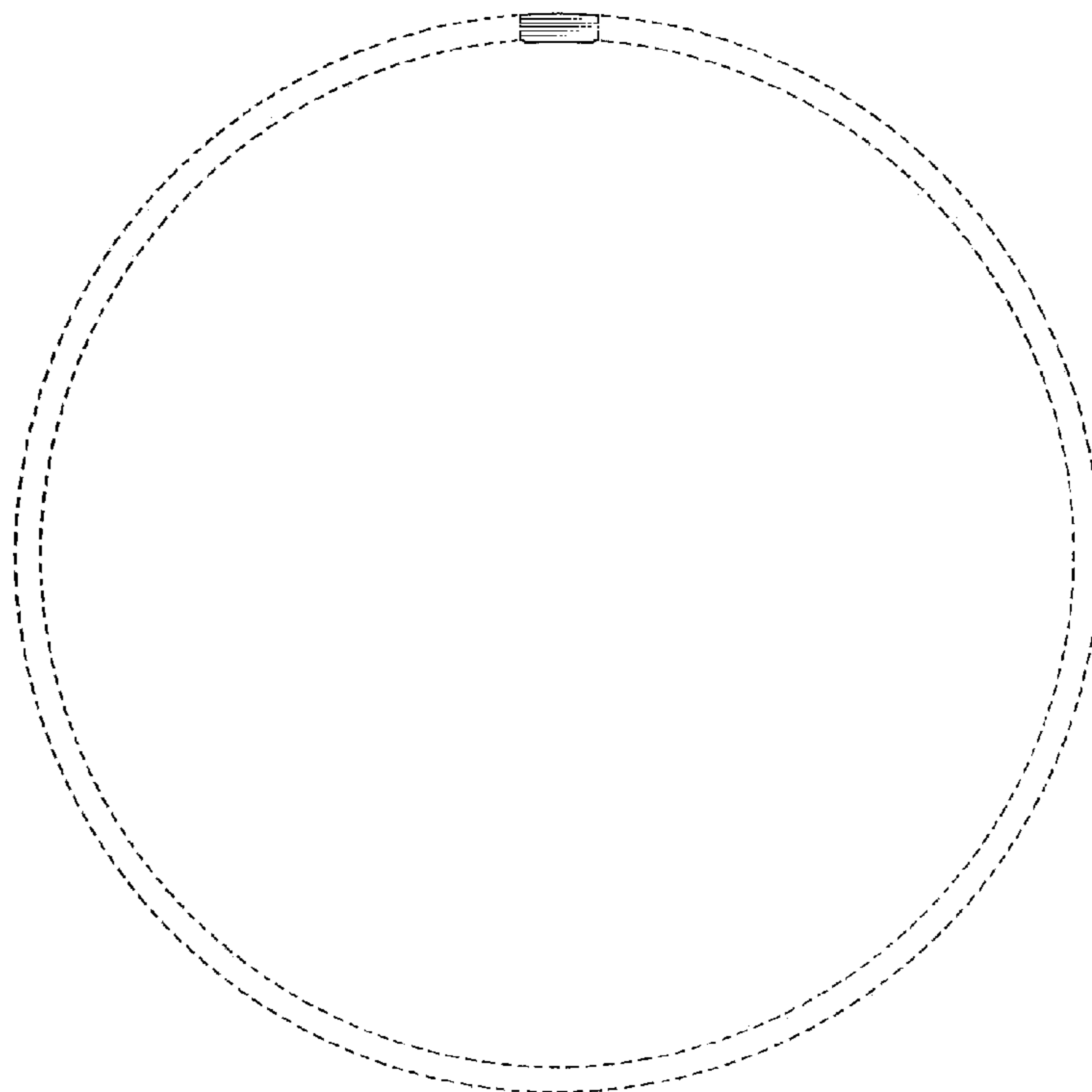




FIG. 13

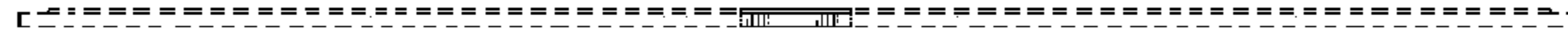


FIG. 14

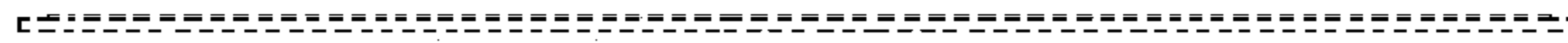


FIG. 15

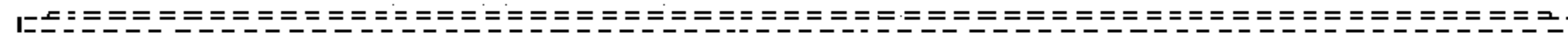


FIG. 16

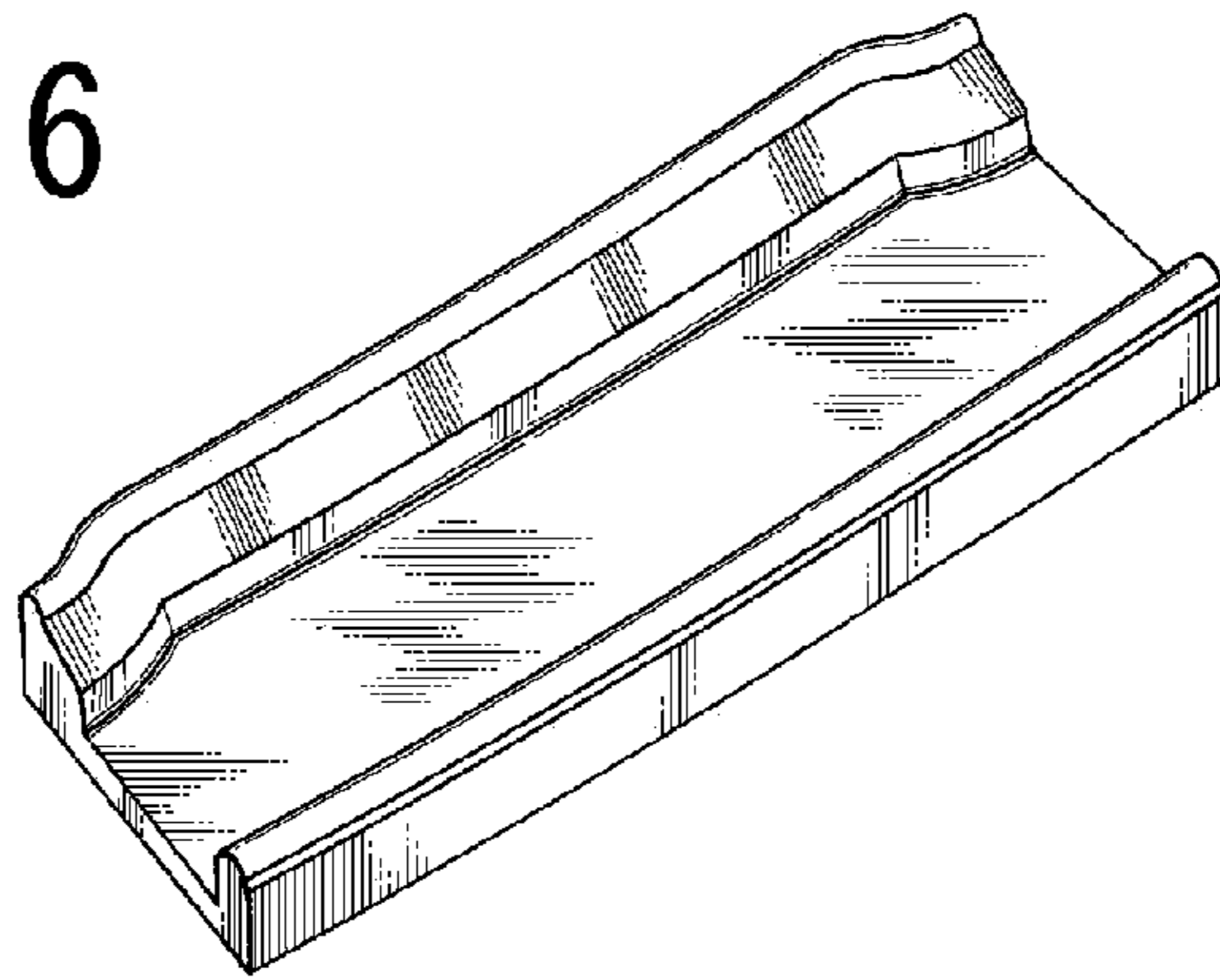


FIG. 17

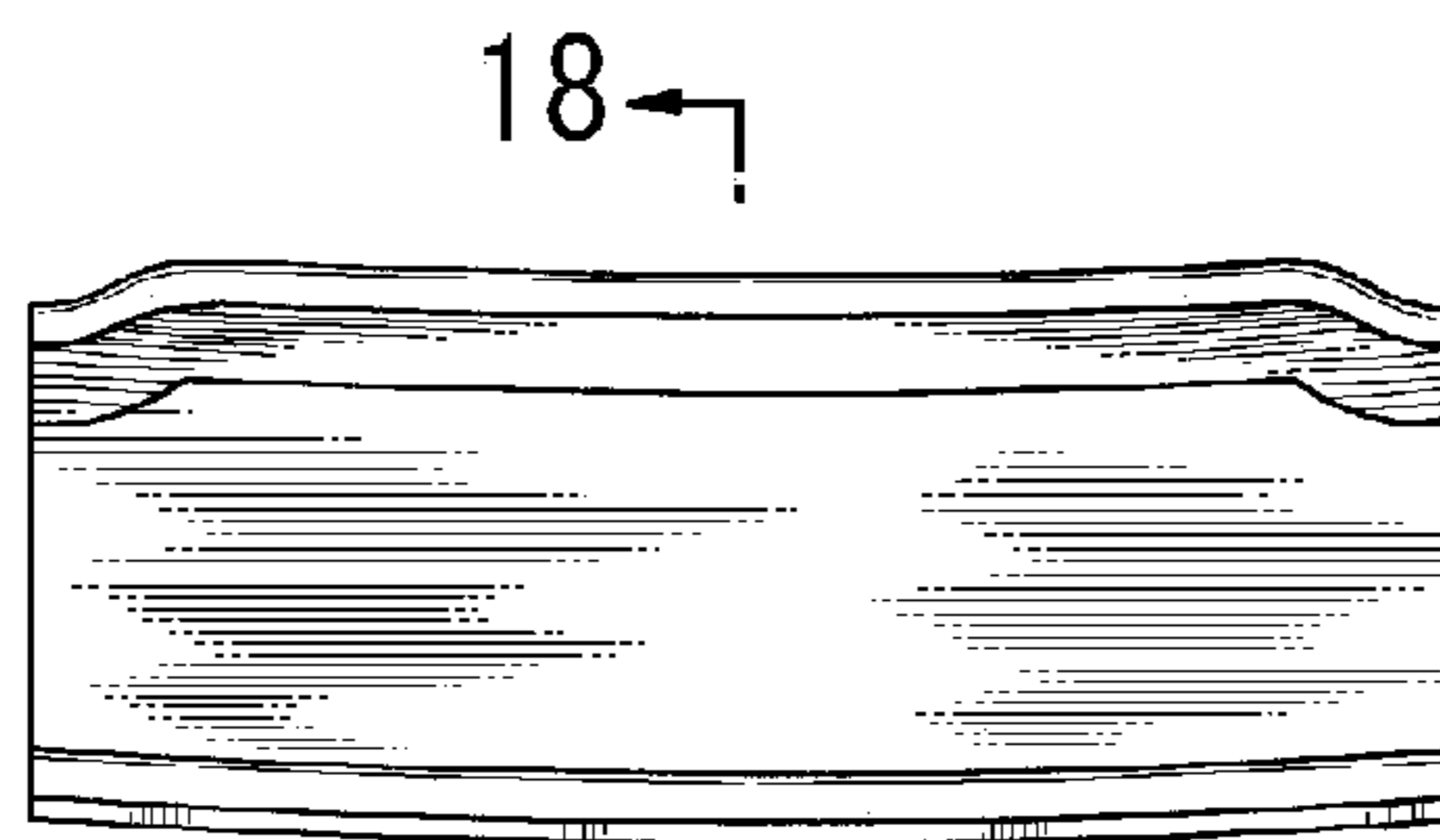


FIG. 18

