



US00D705276S

(12) **United States Design Patent**
Furuki et al.

(10) **Patent No.:** **US D705,276 S**
(45) **Date of Patent:** **** May 20, 2014**

- (54) **CABIN FOR WORK MACHINE**
- (71) Applicant: **Kubota Corporation**, Osaka (JP)
- (72) Inventors: **Taiki Furuki**, Sakai (JP); **Teruhiko Iwamoto**, Sakai (JP); **Izumi Tsukamoto**, Sakai (JP)
- (73) Assignee: **Kubota Corporation**, Osaka (JP)
- (**) Term: **14 Years**
- (21) Appl. No.: **29/465,382**
- (22) Filed: **Aug. 27, 2013**
- (30) **Foreign Application Priority Data**
Feb. 28, 2013 (JP) 2013-004312
- (51) **LOC (10) Cl.** **15-03**
- (52) **U.S. Cl.**
USPC **D15/30**
- (58) **Field of Classification Search**
USPC D15/10, 22-26, 28, 30, 31; 180/89.11,
180/89.12, 89.13, 89.19, 900; 296/190.01,
296/190.08, 210, 190, 202
See application file for complete search history.

- (56) **References Cited**
U.S. PATENT DOCUMENTS
D321,517 S * 11/1991 Katoh et al. D15/30
D389,984 S * 1/1998 Johansson D34/37
D394,069 S * 5/1998 Muranen D15/30
D427,612 S * 7/2000 Shim D15/23
D463,807 S * 10/2002 Tamaru et al. D15/30
D523,875 S * 6/2006 Kim D15/30

- D531,647 S * 11/2006 Stender et al. D15/30
- D535,310 S * 1/2007 Kuwae et al. D15/30
- D537,089 S * 2/2007 Fenzl D15/30
- D541,826 S * 5/2007 Brush et al. D15/30
- D548,753 S * 8/2007 Kim D15/30
- D555,677 S * 11/2007 Kuwae et al. D15/30
- D571,378 S * 6/2008 Bernard et al. D15/30
- D577,040 S * 9/2008 Kim D15/30
- D594,037 S * 6/2009 Uemura D15/30
- D596,204 S * 7/2009 Kuwae et al. D15/30
- D650,816 S * 12/2011 Koponen et al. D15/30
- D660,881 S * 5/2012 Bohme et al. D15/30
- D663,327 S * 7/2012 Namura et al. D15/30

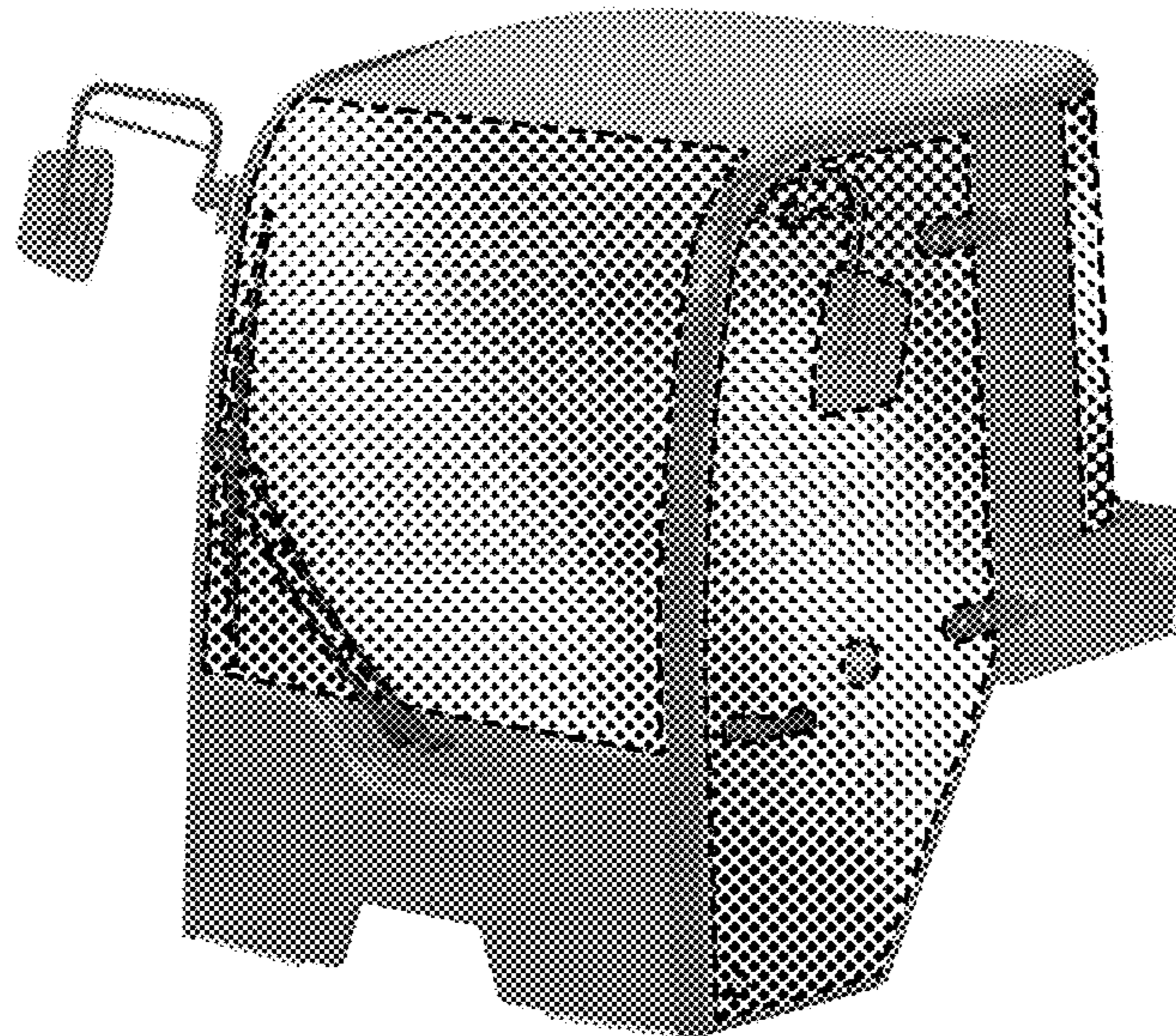
* cited by examiner

Primary Examiner — Mark Goodwin
(74) *Attorney, Agent, or Firm* — The Webb Law Firm

(57) **CLAIM**
The ornamental design for a cabin for work machine, as shown and described.

DESCRIPTION
FIG. 1 is a right side view of a cabin for work machine showing our new design;
FIG. 2 is a left side view thereof;
FIG. 3 is a front view thereof;
FIG. 4 is rear view thereof;
FIG. 5 is a top view thereof; and
FIG. 6 is a bottom view thereof;
FIG. 7 is an upper right front perspective view thereof;
FIG. 8 is an upper left front perspective view thereof;
FIG. 9 is an upper left rear perspective view thereof; and,
FIG. 10 is an upper right rear perspective view thereof.
The portions of FIGS. 1-10 shown in coarse dot pattern and outlined in dashed lines form no part of the claimed design.

1 Claim, 10 Drawing Sheets



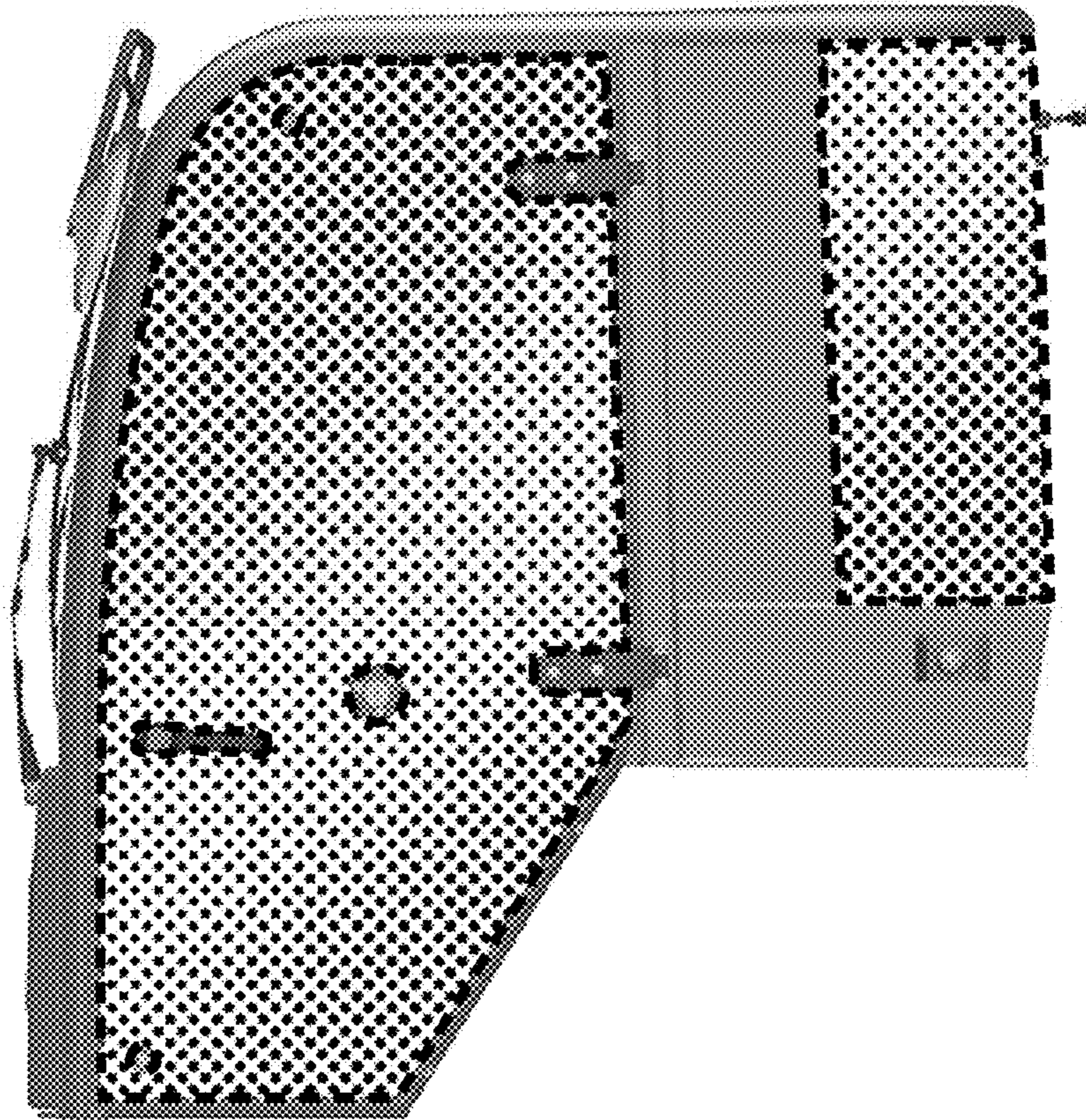


FIG. 1

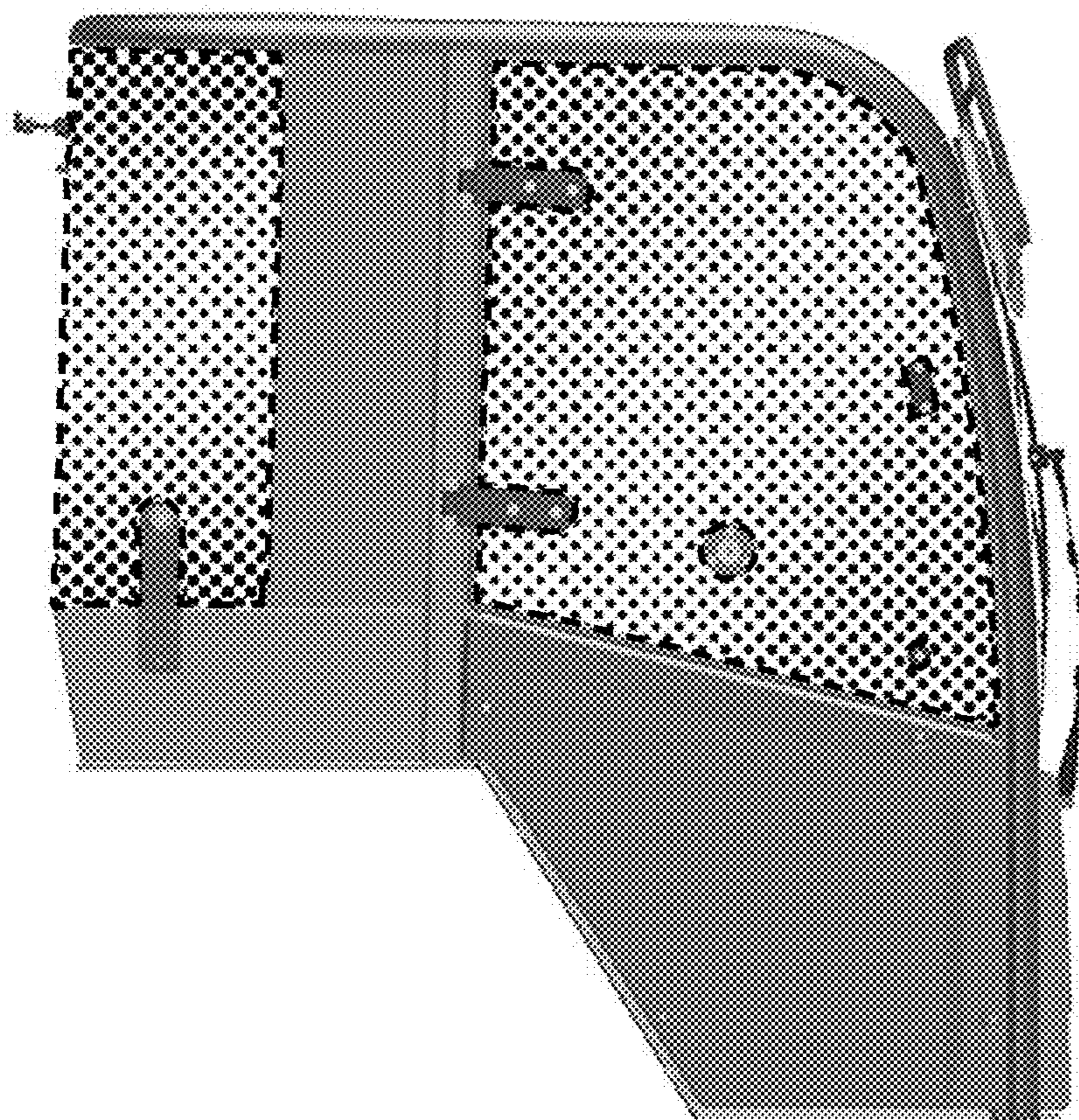


FIG. 2

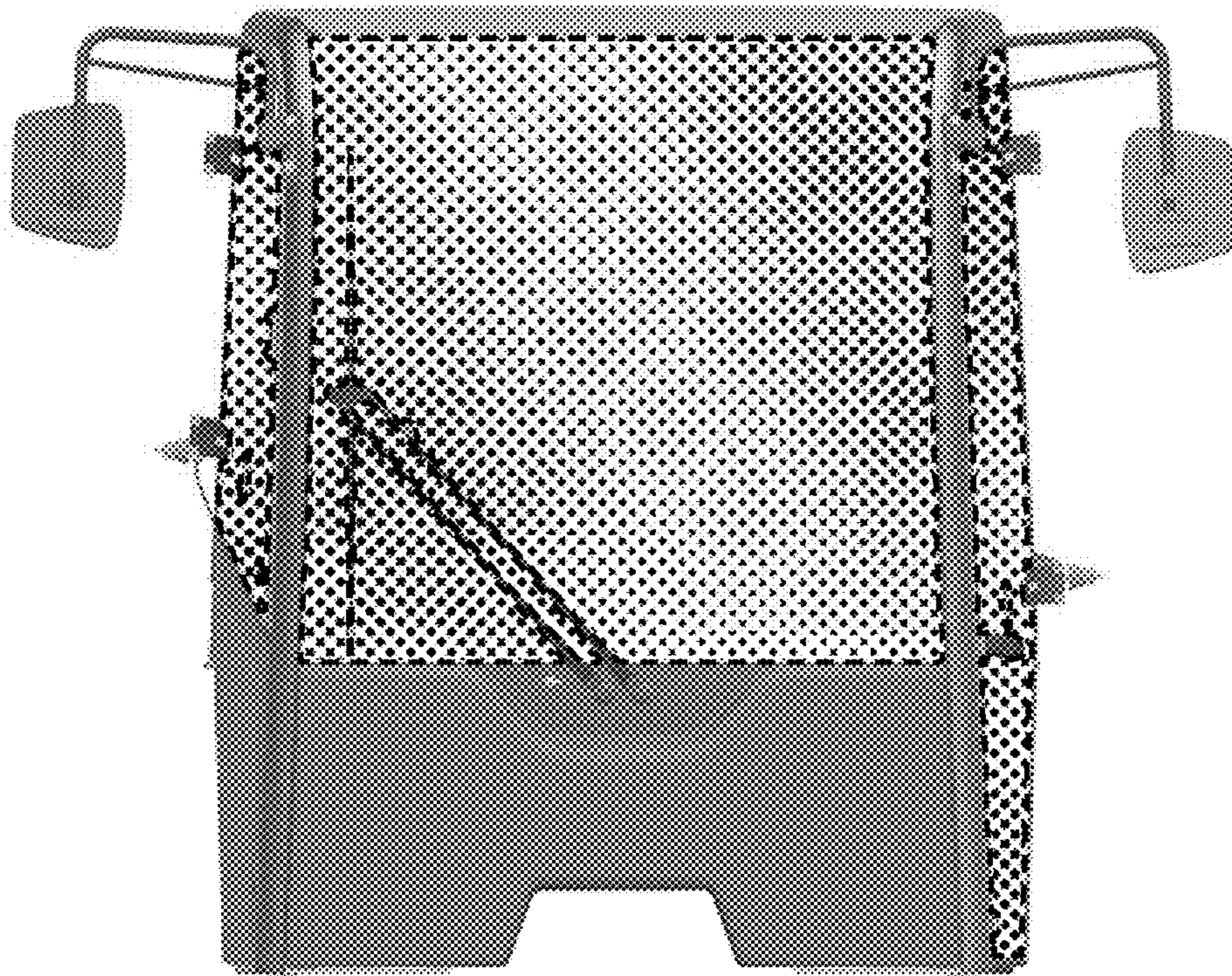


FIG. 3

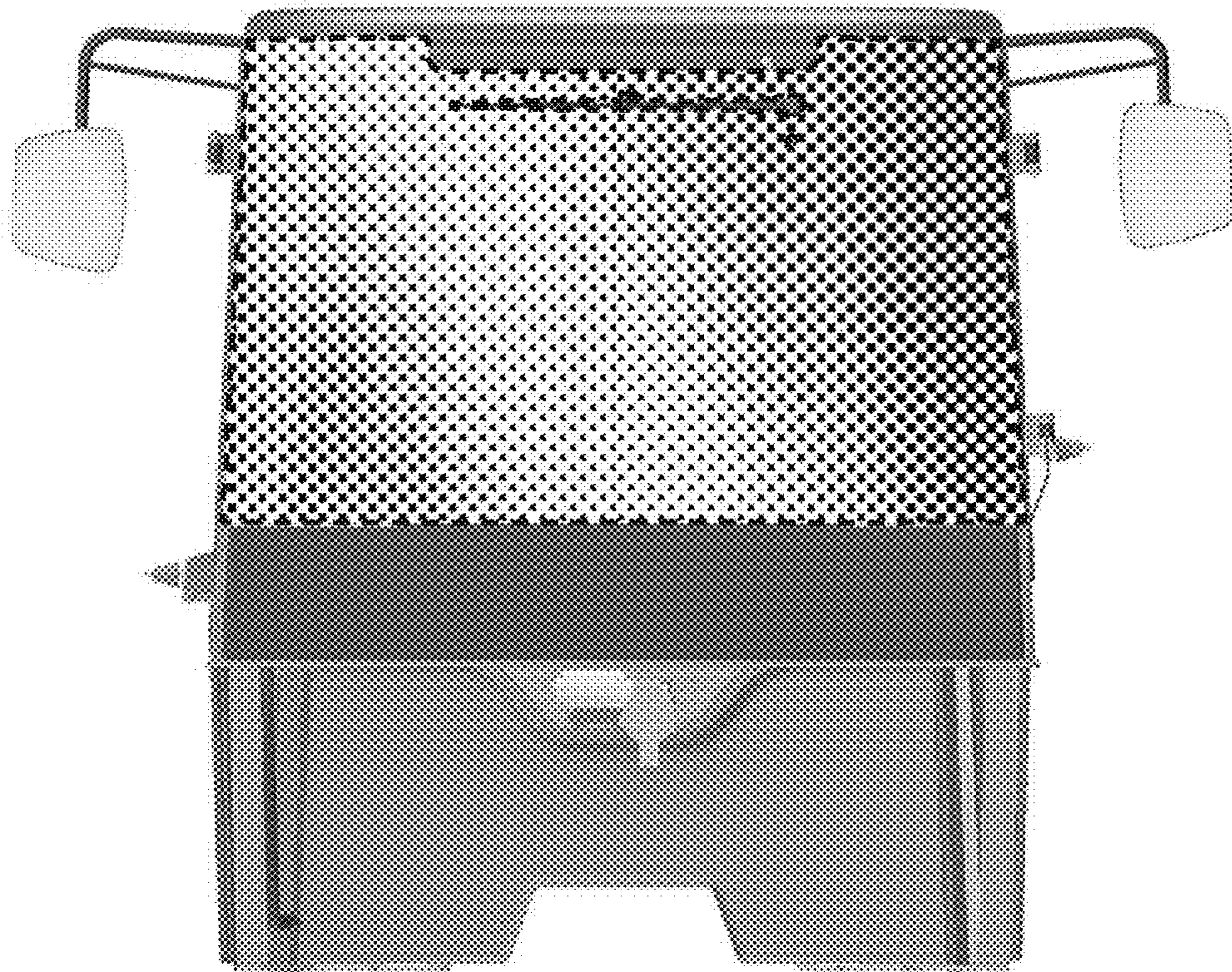


FIG. 4

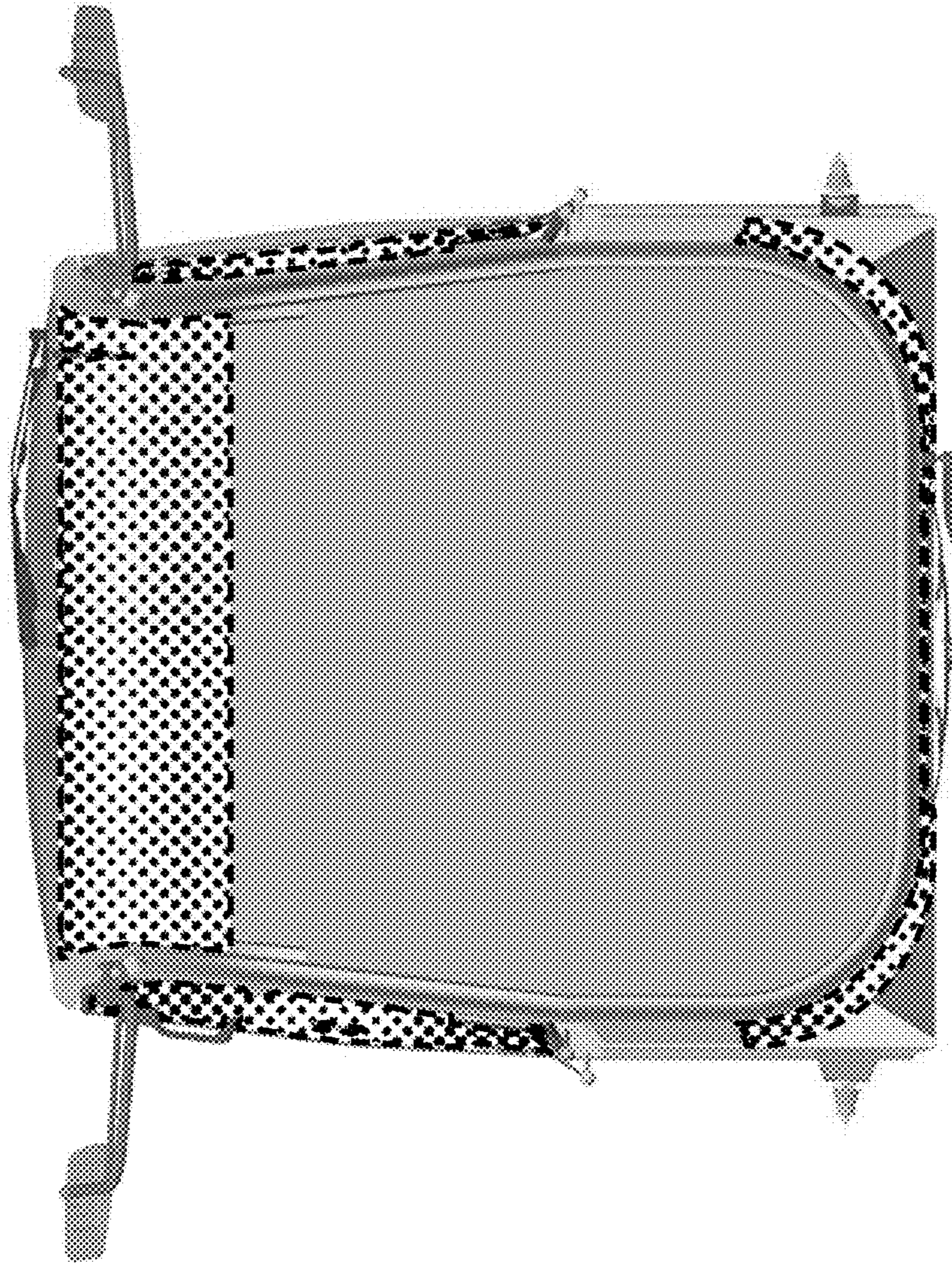


FIG. 5

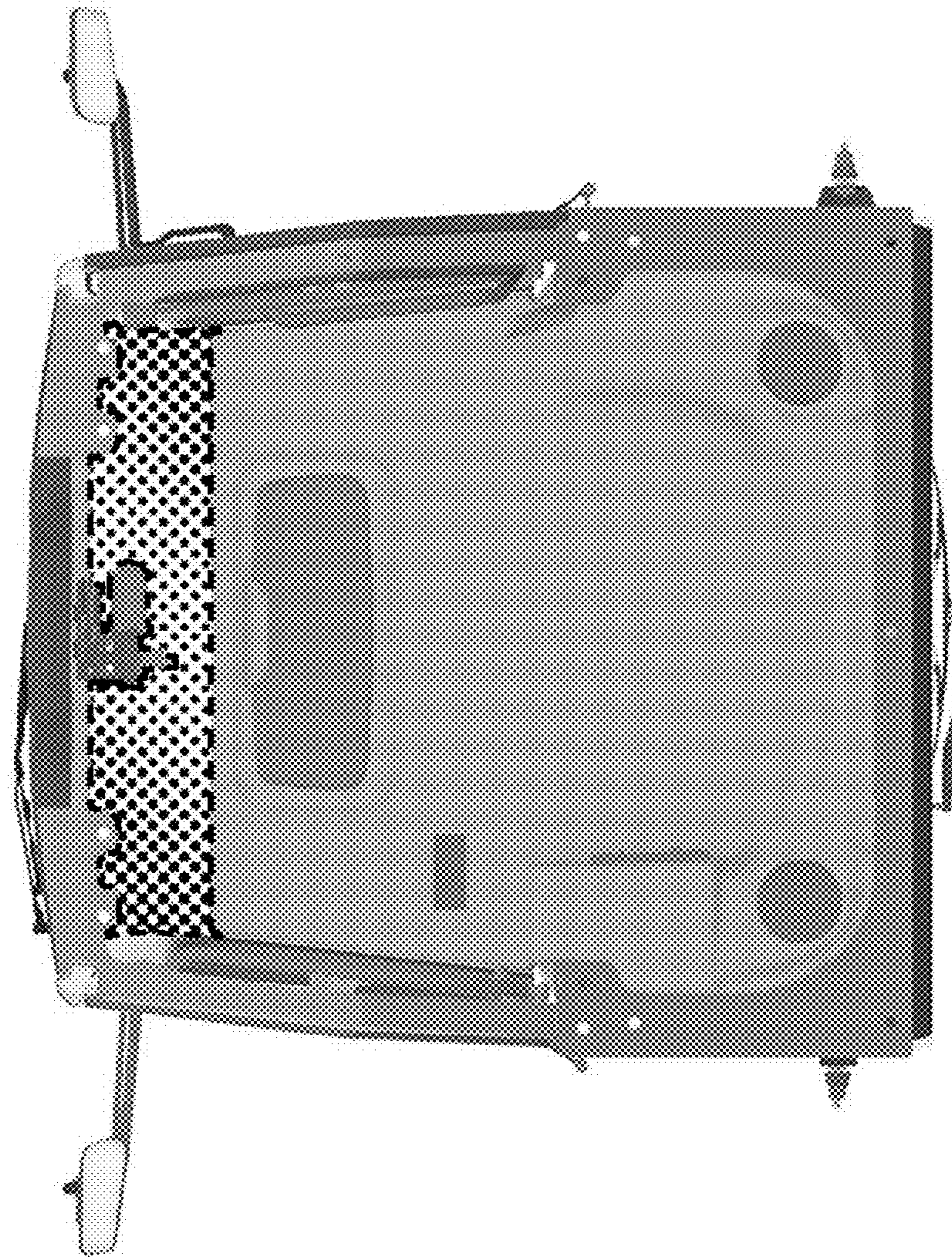


FIG. 6

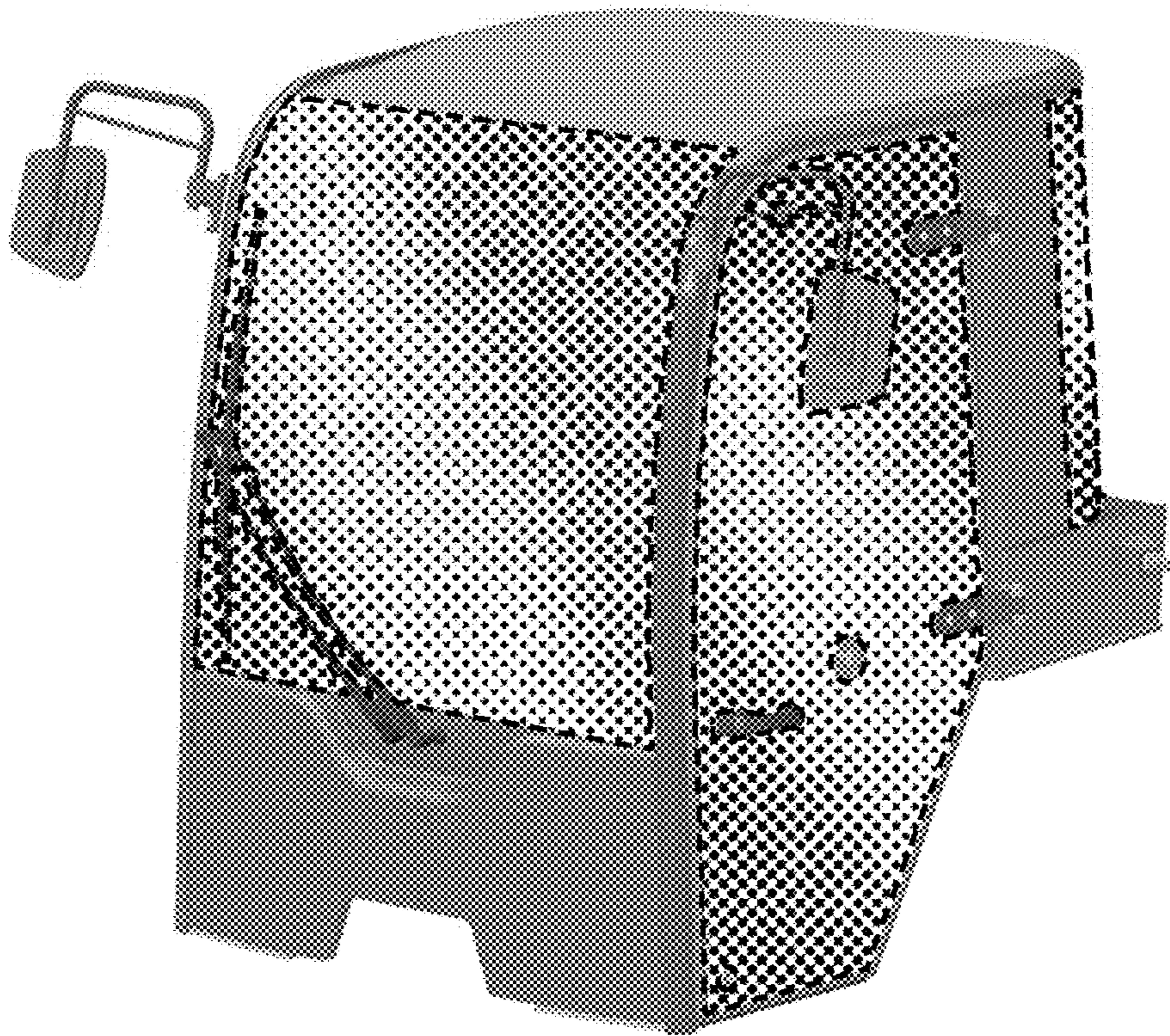


FIG. 7

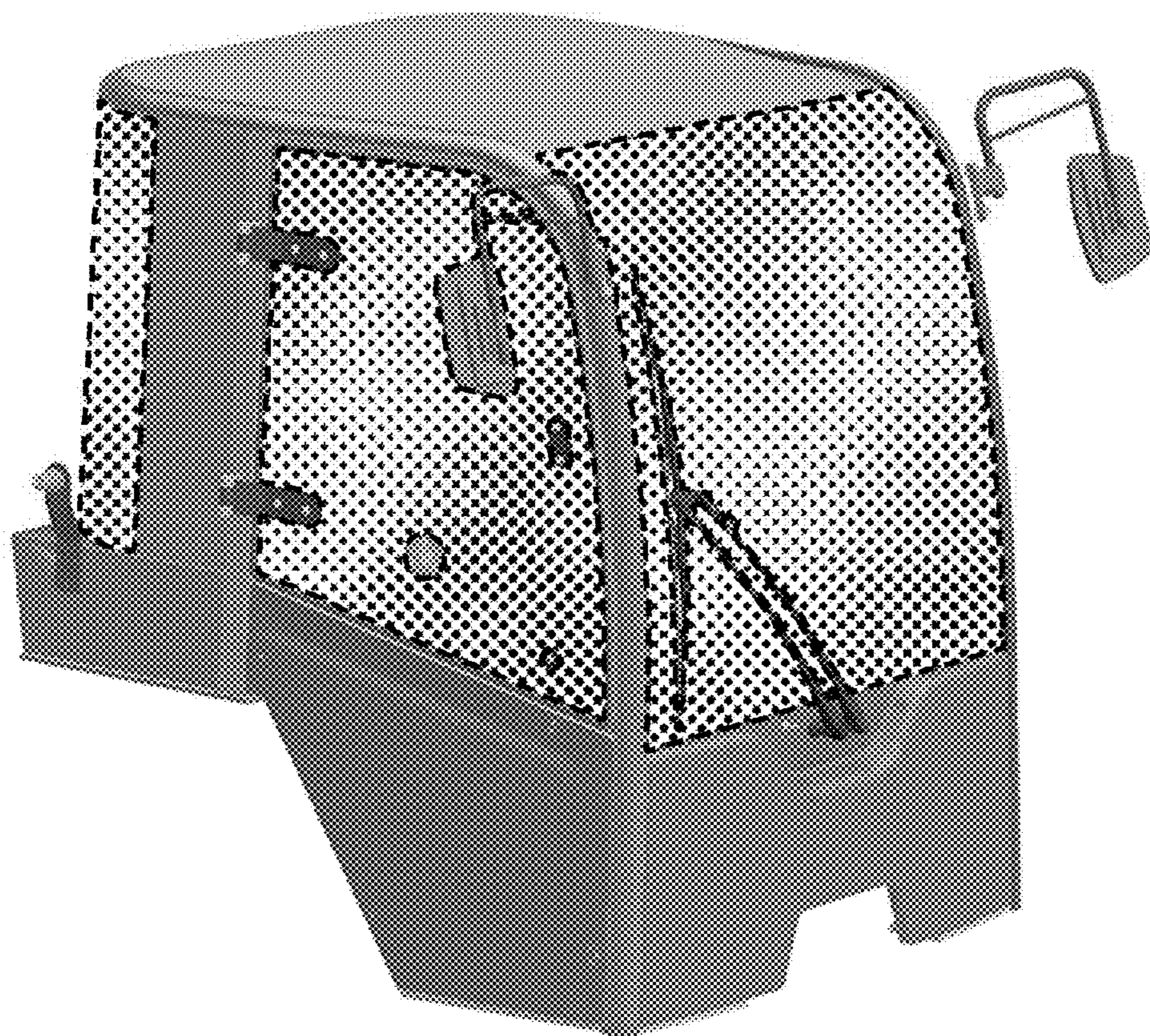


FIG. 8

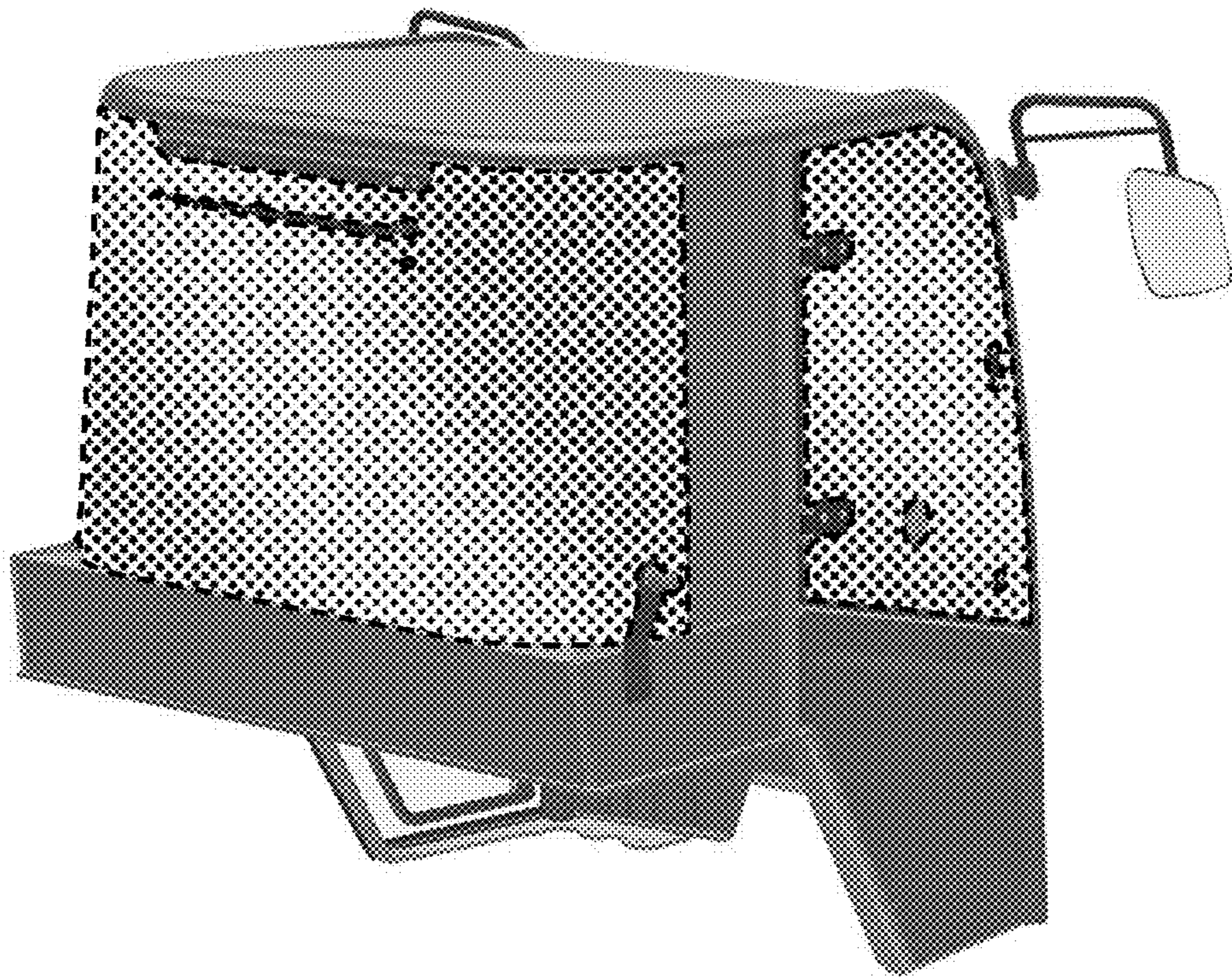


FIG. 9

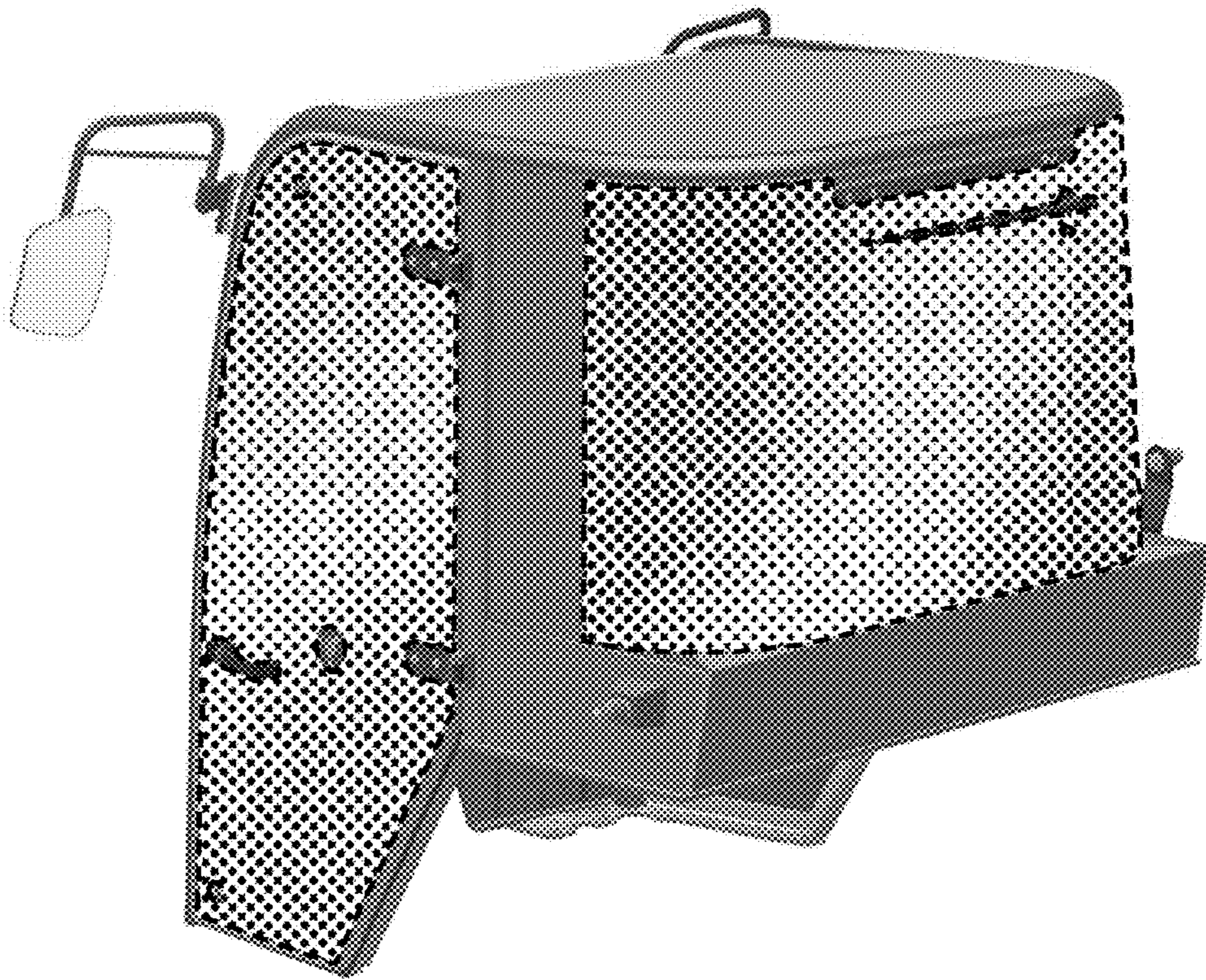


FIG. 10