



US00D705273S

(12) **United States Design Patent**
Furuki et al.

(10) **Patent No.:** **US D705,273 S**

(45) **Date of Patent:** **** May 20, 2014**

(54) **WHEEL LOADER**

(71) Applicant: **Kubota Corporation**, Osaka (JP)

(72) Inventors: **Taiki Furuki**, Sakai (JP); **Teruhiko Iwamoto**, Sakai (JP); **Masahiko Kobayashi**, Sakai (JP)

(73) Assignee: **Kubota Corporation**, Osaka (JP)

(**) Term: **14 Years**

(21) Appl. No.: **29/465,396**

(22) Filed: **Aug. 27, 2013**

(30) **Foreign Application Priority Data**

Feb. 28, 2013 (JP) 2013-004307

(51) **LOC (10) Cl.** **12-09**

(52) **U.S. Cl.**
USPC **D15/25**

(58) **Field of Classification Search**
USPC D15/10, 22-26; 37/403, 411, 443, 379,
37/442, 444-446, 310, 304, 341, 301;
414/685, 686, 688, 722-724, 694, 812;
180/89.13, 89.1, 89.2, 900, 89.19;
296/190, 202

See application file for complete search history.

(56) **References Cited**

U.S. PATENT DOCUMENTS

4,705,449	A *	11/1987	Christianson et al.	414/685
D294,032	S *	2/1988	Whiffin	D15/25
D322,792	S *	12/1991	Park	D15/25
D326,858	S *	6/1992	Skeel et al.	D15/25
5,273,375	A *	12/1993	Plourde	404/118
D358,157	S *	5/1995	Kusunoki et al.	D15/25

D359,497	S *	6/1995	Rayner	D15/25
D364,408	S *	11/1995	Bryant et al.	D15/25
5,778,569	A *	7/1998	Schaeff	37/410
D405,807	S *	2/1999	Amy et al.	D15/25
D410,930	S *	6/1999	Kim et al.	D15/25
D431,574	S *	10/2000	Porter	D15/25
D540,352	S *	4/2007	Sato et al.	D15/25
D549,738	S *	8/2007	Hiraoka et al.	D15/25
D573,160	S *	7/2008	Kato	D15/25
D579,027	S *	10/2008	Kato	D15/25
D590,846	S *	4/2009	Kinsinger et al.	D15/25
D636,000	S *	4/2011	Kim et al.	D15/25
D652,061	S *	1/2012	Hiraoka et al.	D15/23
D652,062	S *	1/2012	Hiraoka et al.	D15/23

* cited by examiner

Primary Examiner — Mark Goodwin

(74) *Attorney, Agent, or Firm* — The Webb Law Firm

(57) **CLAIM**

The ornamental design for a wheel loader, as shown and described.

DESCRIPTION

FIG. 1 is a right side view of a wheel loader showing our new design;

FIG. 2 is a left side view thereof;

FIG. 3 is a front view thereof;

FIG. 4 is a rear view thereof;

FIG. 5 is a top view thereof;

FIG. 6 is an upper right front perspective view thereof;

FIG. 7 is an upper right rear perspective view thereof;

FIG. 8 is an upper left front perspective view thereof; and,

FIG. 9 is an upper left rear perspective view thereof.

A bottom view is omitted because it is plain and unornamental and forms no part of the subject matter of the claimed design.

1 Claim, 8 Drawing Sheets



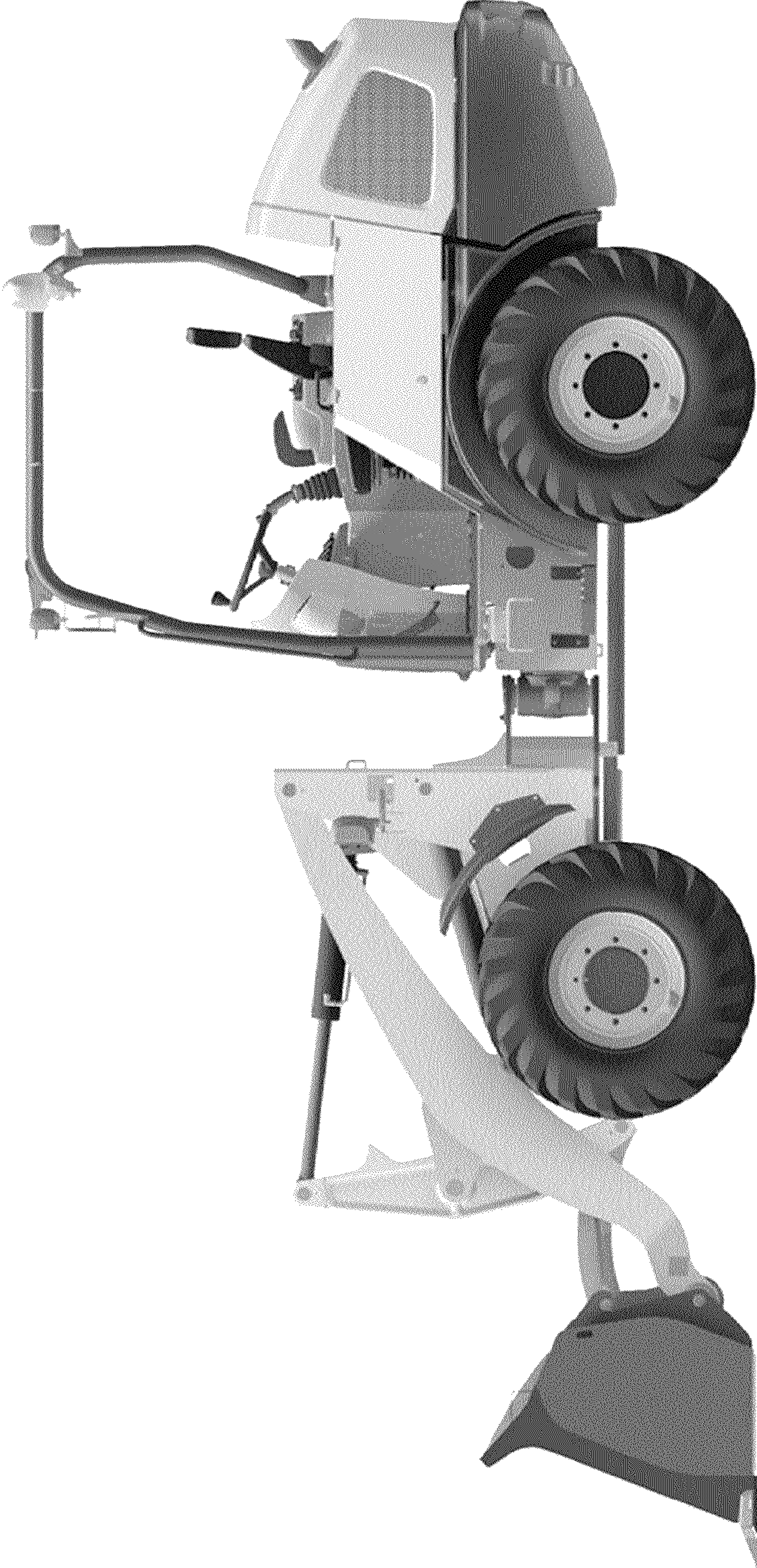


FIG. 1

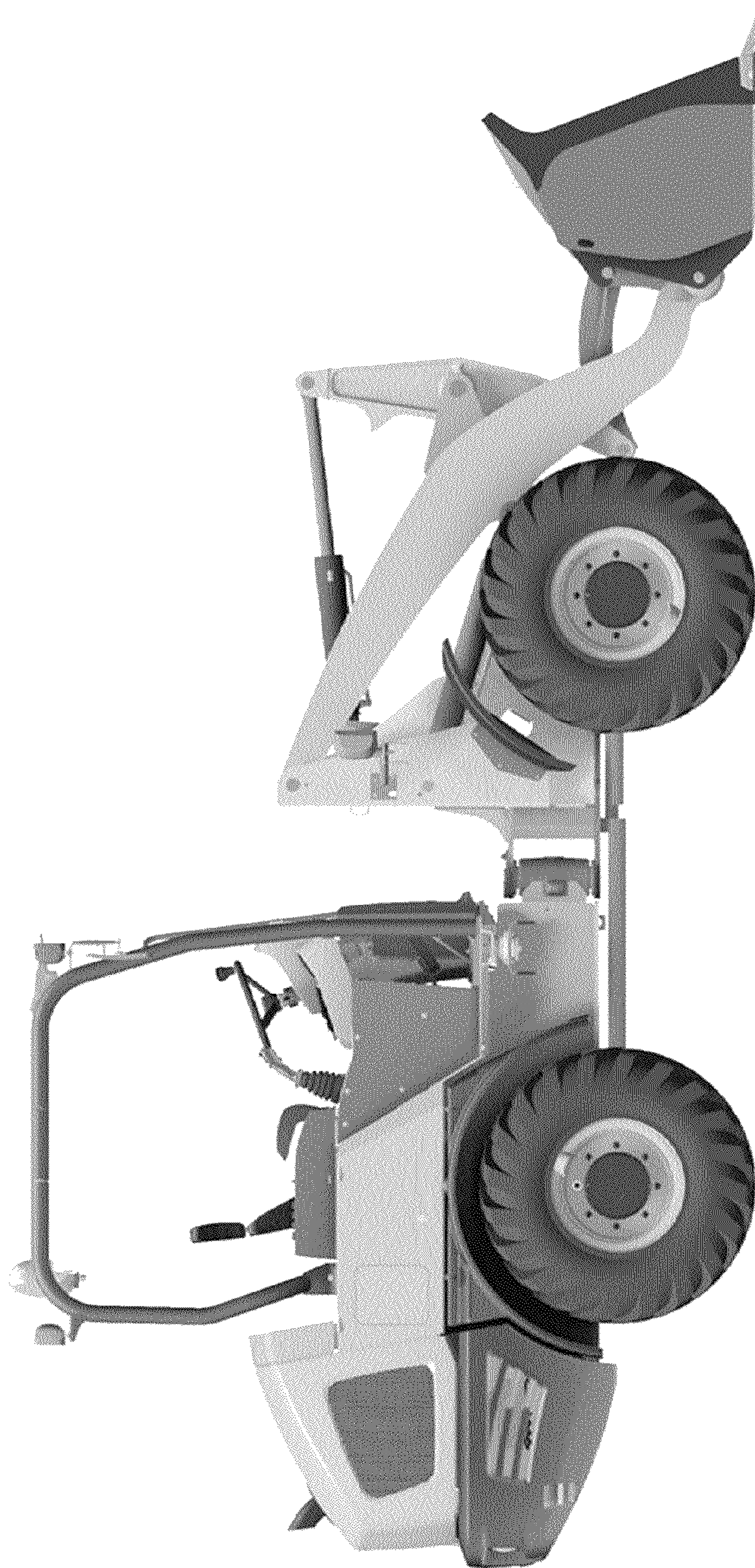


FIG. 2

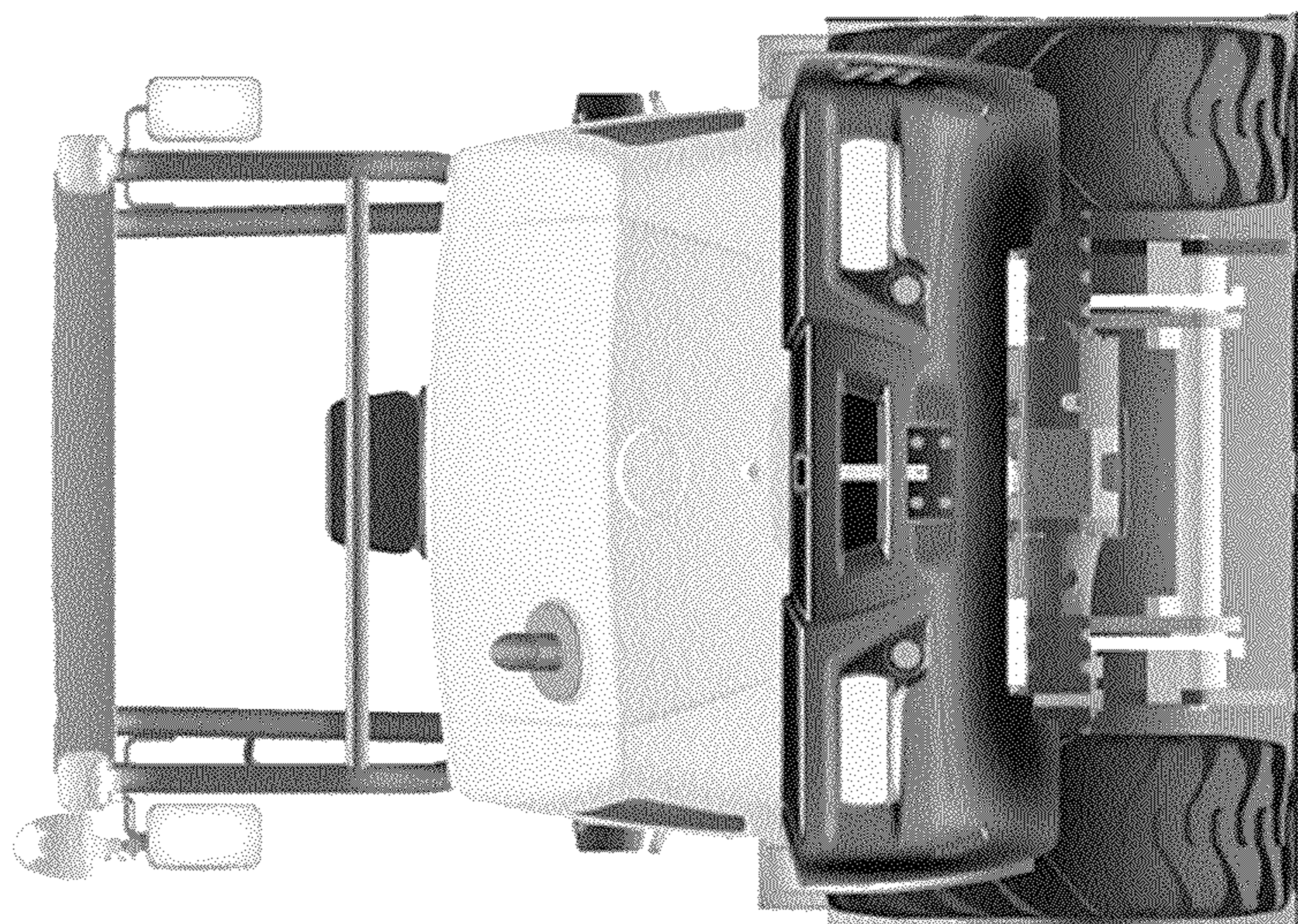


FIG. 4

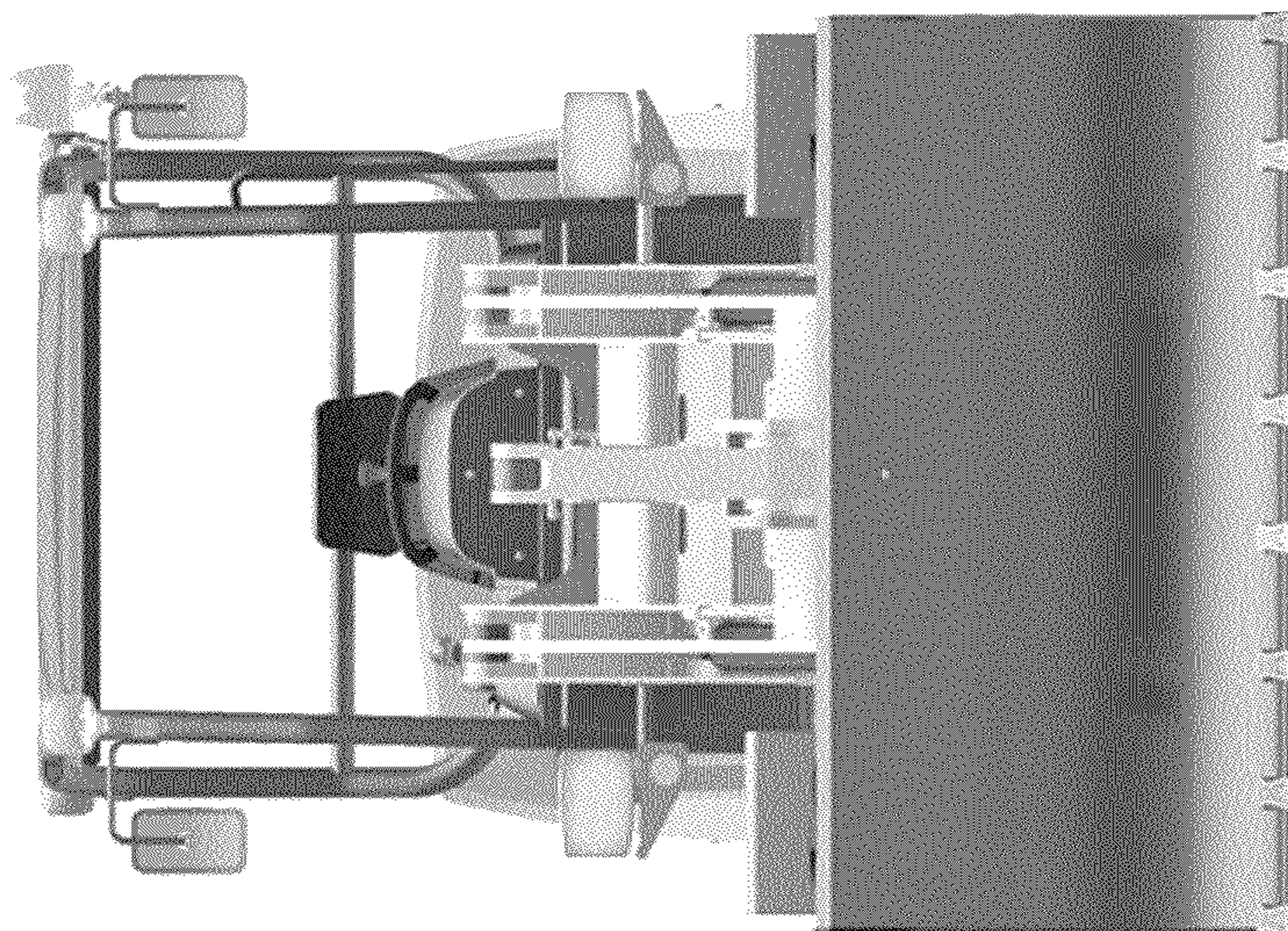


FIG. 3

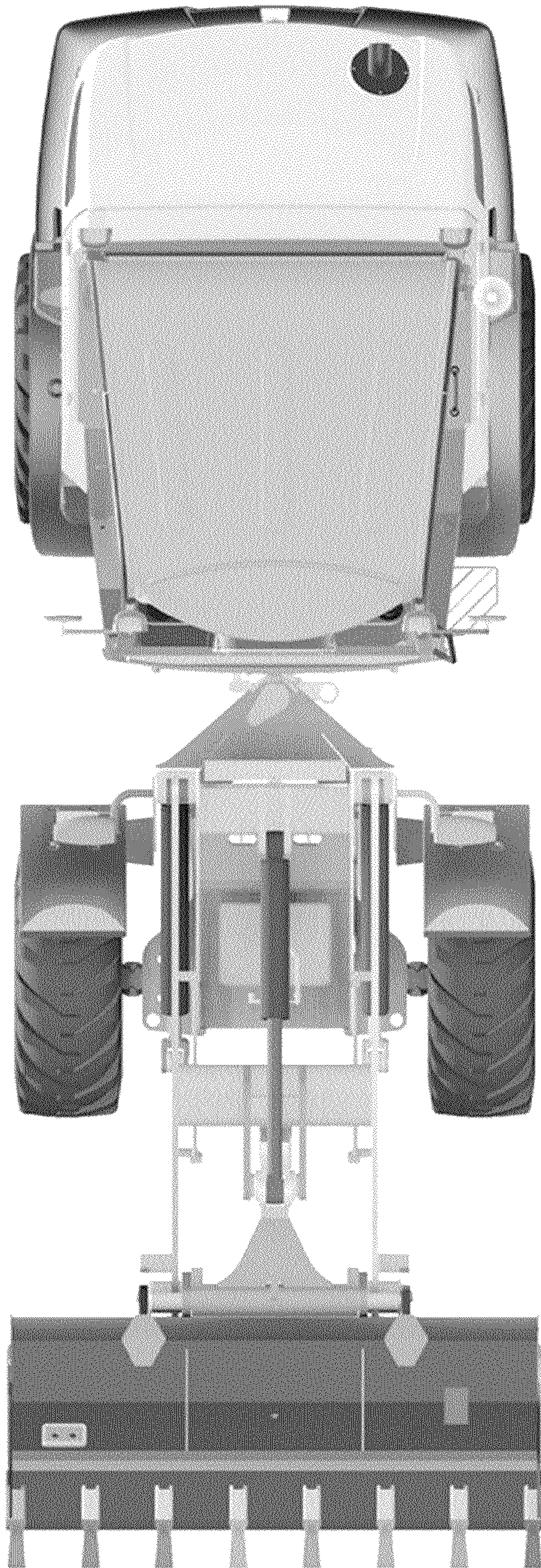


FIG. 5

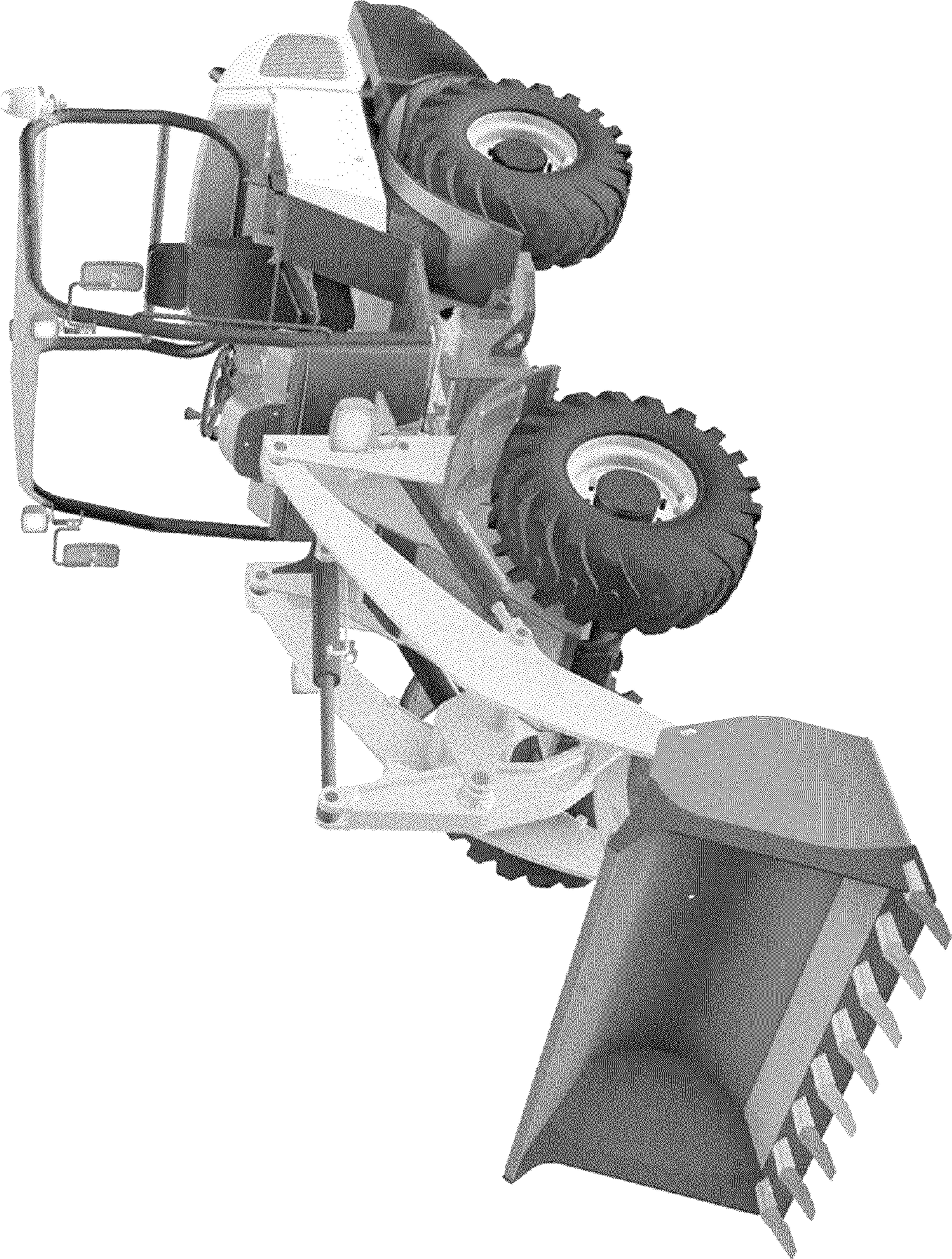


FIG. 6

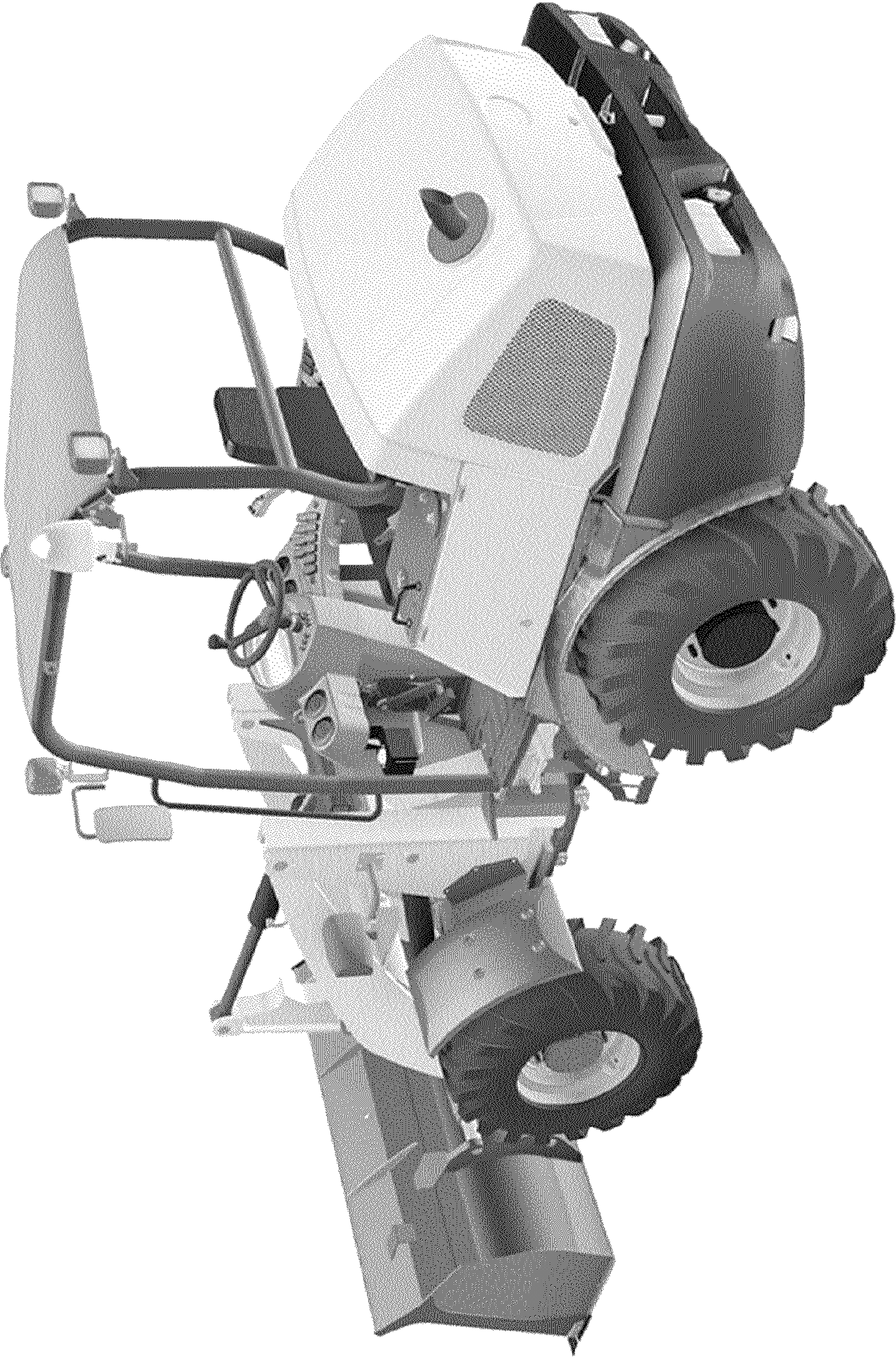


FIG. 7



FIG. 8

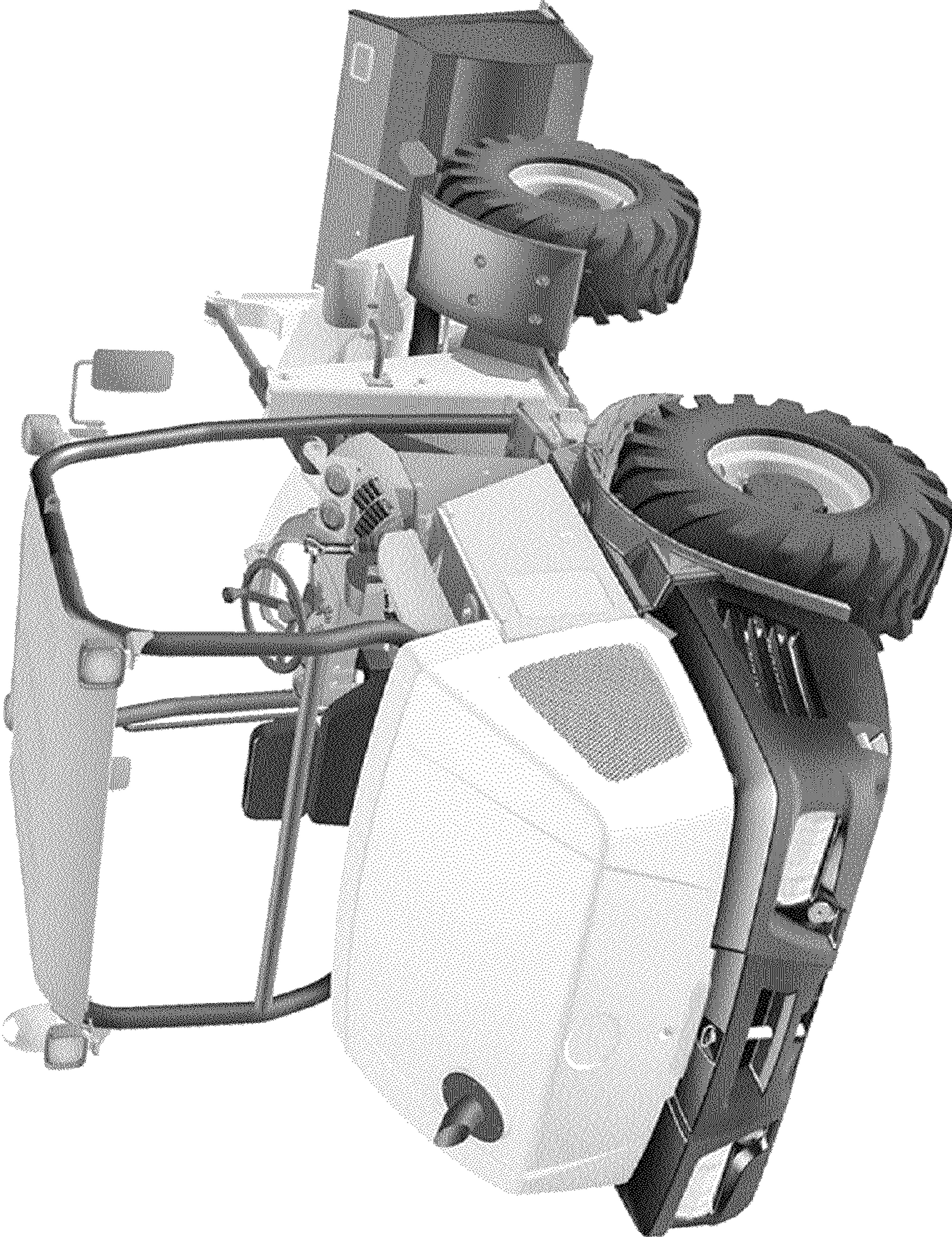


FIG. 9