



US00D705272S

(12) **United States Design Patent**
Cmich et al.

(10) **Patent No.:** **US D705,272 S**
(45) **Date of Patent:** **** May 20, 2014**

(54) **SNOW THROWER**
(71) Applicant: **MTD Products Inc**, Valley City, OH
(US)
(72) Inventors: **Ryan Cmich**, Sharon Township, OH
(US); **Tim Dilgard**, Ashland, OH (US);
Jimmy N. Eavenson, Sr., Aurora, OH
(US); **Dave Hein**, Elyria, OH (US); **Joe**
Jocke, Grafton Township, OH (US);
Amit Saha, Hudson, OH (US)

4,203,237 A * 5/1980 Enters et al. 37/233
4,255,879 A * 3/1981 Greider 37/245
4,255,880 A 3/1981 McMickle et al.
D260,898 S * 9/1981 Chieda et al. D15/12
4,300,295 A 11/1981 Heismann
4,325,195 A 4/1982 Comer

(Continued)

FOREIGN PATENT DOCUMENTS

DE 35 18 442 1/1986
DE 10 2004 003111 8/2004

OTHER PUBLICATIONS

International Search Report and Written Opinion dated Aug. 14, 2013
for corresponding application No. PCT/US2013/026427.

(Continued)

Primary Examiner — Mark Goodwin

(74) *Attorney, Agent, or Firm* — Wegman, Hessler &
Vanderburg

(73) Assignee: **MTD Products Inc.**, Valley City, OH
(US)

(**) Term: **14 Years**

(21) Appl. No.: **29/469,059**

(22) Filed: **Oct. 7, 2013**

Related U.S. Application Data

(63) Continuation of application No. 13/465,625, filed on
May 7, 2012.

(51) **LOC (10) Cl.** **15-03**

(52) **U.S. Cl.**
USPC **D15/11; D15/12**

(58) **Field of Classification Search**
USPC D15/11, 12; 198/676; 37/251, 242–250,
37/254, 257–260, 227, 214, 266, 252;
180/272; 192/224.2; 172/754, 765,
172/771, 772.5, 816
See application file for complete search history.

(56) **References Cited**

U.S. PATENT DOCUMENTS

3,349,506 A * 10/1967 Rubin 37/248
3,484,963 A * 12/1969 Munson et al. 37/252
3,913,247 A * 10/1975 Ruhl 37/258
4,123,857 A 11/1978 Enters et al.
4,188,738 A * 2/1980 Vohl 37/257

(57) **CLAIM**

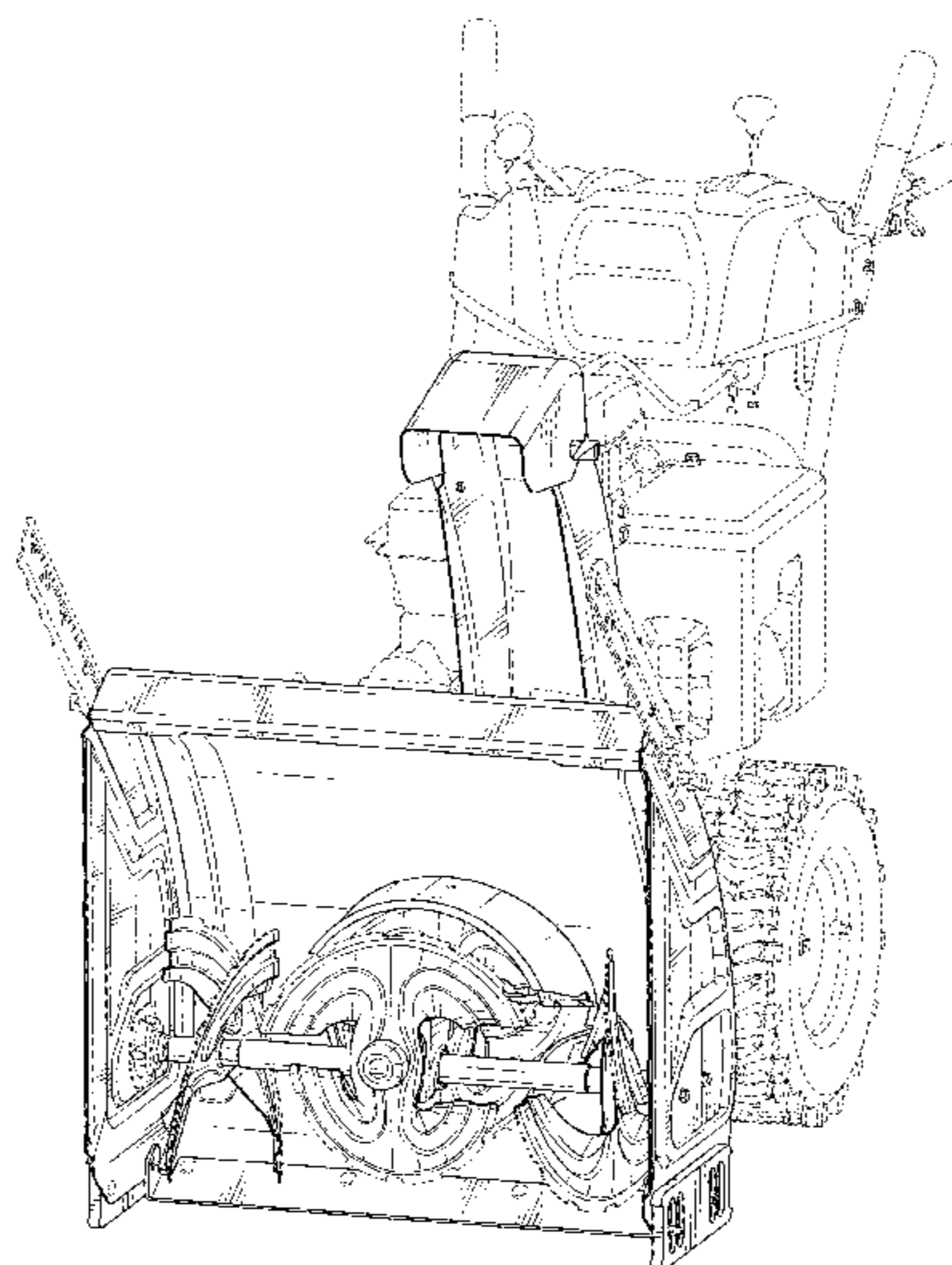
We claim the ornamental design for an snow thrower, as
shown and described.

DESCRIPTION

FIG. 1 is a front perspective view of an snow thrower of the
present invention;
FIG. 2 is a first side view thereof;
FIG. 3 is a second side view thereof;
FIG. 4 is a front view thereof;
FIG. 5 is a rear view thereof;
FIG. 6 is a top view thereof; and,
FIG. 7 is a bottom view thereof.

The ornamental design which is claimed is shown in solid
lines in the drawings. Any broken lines in the drawings are for
illustrative purposes only and form no part of the claimed
design.

1 Claim, 6 Drawing Sheets



(56)

References Cited

U.S. PATENT DOCUMENTS

4,346,526 A 8/1982 Mattson et al.
 4,346,527 A 8/1982 Schmidt
 4,360,983 A 11/1982 Krug
 D270,057 S * 8/1983 Nakamura D15/12
 4,398,606 A * 8/1983 Herscher 172/42
 D272,742 S * 2/1984 Hoshino D15/11
 4,457,086 A 7/1984 Bacon
 4,477,989 A 10/1984 Vachon
 4,498,253 A 2/1985 Schmidt
 4,541,187 A 9/1985 Phelps
 4,597,203 A 7/1986 Middleton
 4,619,061 A 10/1986 Swanson
 4,679,338 A 7/1987 Middleton
 4,680,881 A 7/1987 Cloutier
 4,694,594 A 9/1987 Thorud et al.
 4,765,073 A 8/1988 Cloutier
 4,852,279 A * 8/1989 Gerbrandt 37/252
 4,869,003 A 9/1989 O'Loughlin
 4,951,403 A 8/1990 Olmr
 D314,775 S * 2/1991 Yoshida et al. D15/11
 RE33,726 E 10/1991 Thorud et al.
 5,101,585 A * 4/1992 Gerbrandt 37/252
 5,123,186 A * 6/1992 Matushita et al. 37/251
 5,127,174 A * 7/1992 Takeshita 37/250
 5,174,053 A * 12/1992 Takeshita 37/258
 5,398,432 A 3/1995 Vohl
 5,450,910 A 9/1995 Strzyzewski
 5,758,436 A * 6/1998 Harms 37/249
 5,813,152 A 9/1998 Weight
 5,966,846 A * 10/1999 Harms et al. 37/249

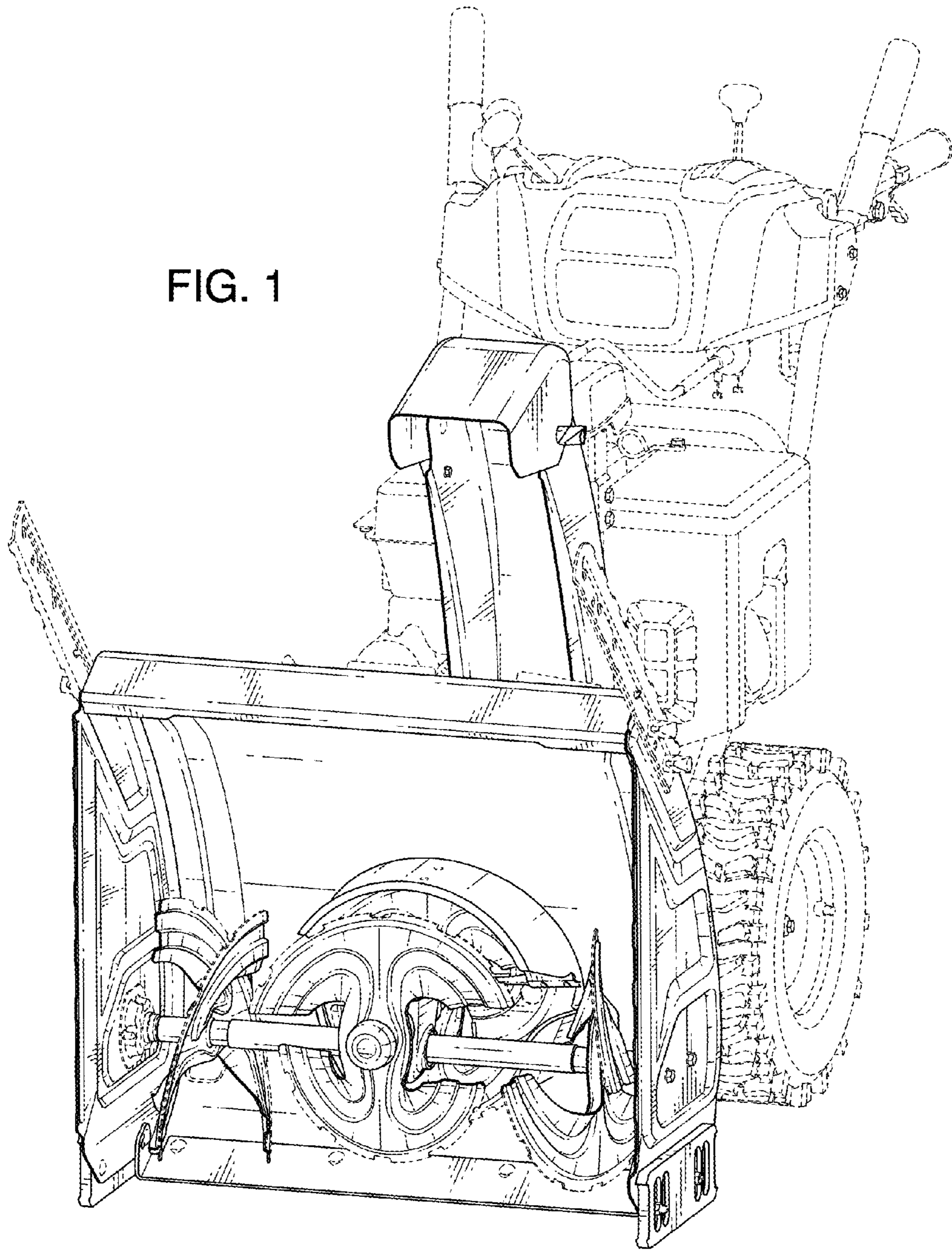
6,131,316 A * 10/2000 Yoshina et al. 37/242
 6,199,306 B1 * 3/2001 Kauppila et al. 37/249
 6,260,293 B1 7/2001 Monroe
 6,318,003 B1 11/2001 Heismann
 6,327,798 B1 * 12/2001 Sakai et al. 37/249
 6,353,212 B1 3/2002 Smith
 D457,171 S * 5/2002 Fowler D15/11
 6,470,602 B2 * 10/2002 White et al. 37/244
 6,499,238 B2 * 12/2002 Kluck et al. 37/261
 6,560,905 B2 5/2003 Monroe
 D494,193 S * 8/2004 Martin et al. D15/12
 D498,770 S * 11/2004 Yuzuriha D15/12
 D500,053 S * 12/2004 Yuzuriha et al. D15/12
 6,860,041 B2 * 3/2005 Sakai et al. 37/250
 6,865,826 B1 * 3/2005 Lakin 37/233
 D508,700 S * 8/2005 Sakai et al. D15/11
 6,922,921 B2 * 8/2005 Sakai et al. 37/257
 6,938,364 B2 * 9/2005 White et al. 37/248
 D554,155 S * 10/2007 Yuzuriha D15/12
 7,305,777 B2 * 12/2007 Kettering et al. 37/233
 D603,428 S * 11/2009 Tashiro et al. D15/12
 D604,333 S * 11/2009 Yuzuriha et al. D15/12
 7,703,223 B2 * 4/2010 Walker et al. 37/260
 D617,350 S * 6/2010 Cummings D15/11
 8,402,680 B2 * 3/2013 Steinike et al. 37/251
 2004/0255492 A1 * 12/2004 White et al. 37/244

OTHER PUBLICATIONS

Airport Technologies Inc; "Snow Wolf" flyer; published prior to Mar. 2, 2011.

* cited by examiner

FIG. 1



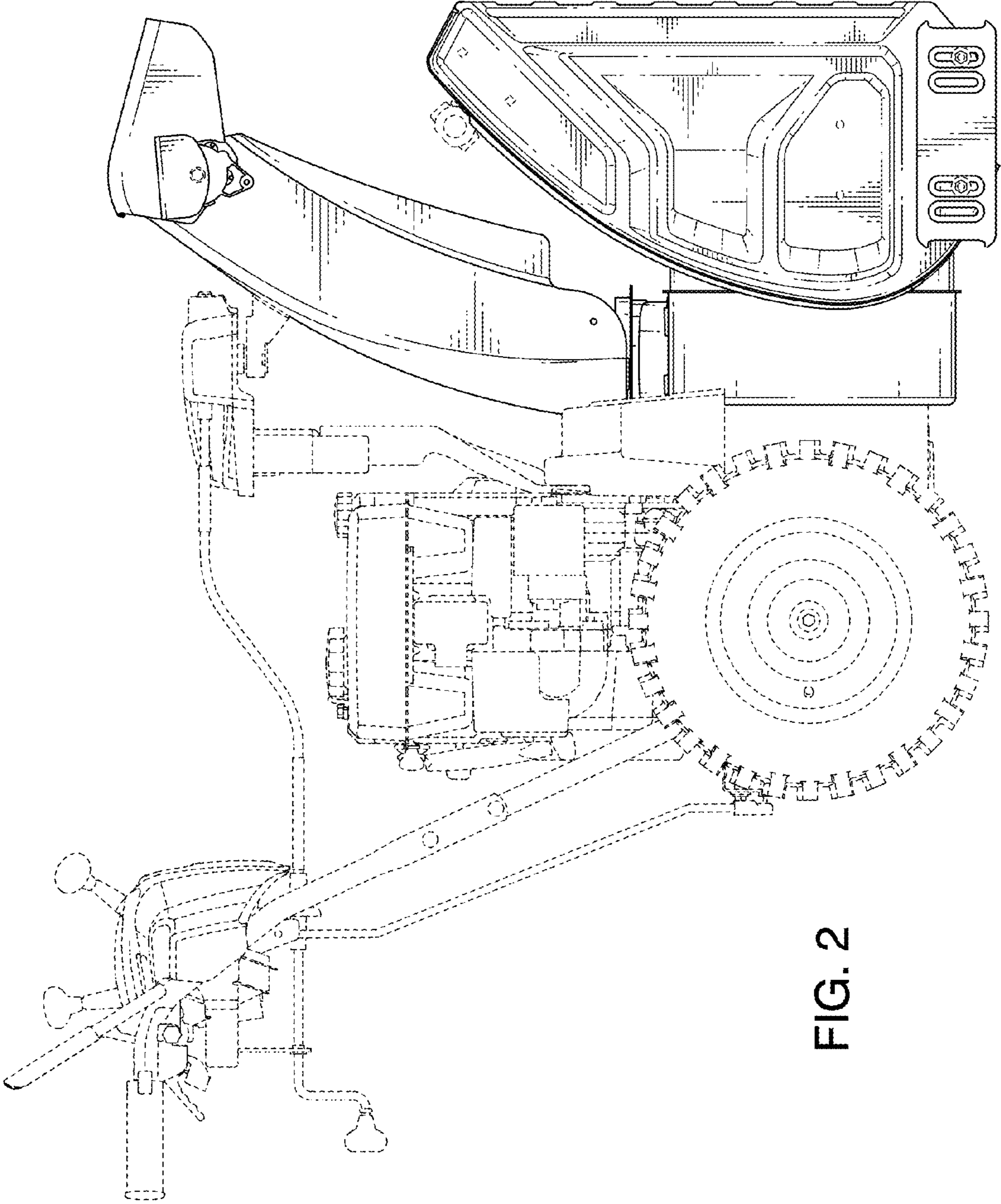


FIG. 2

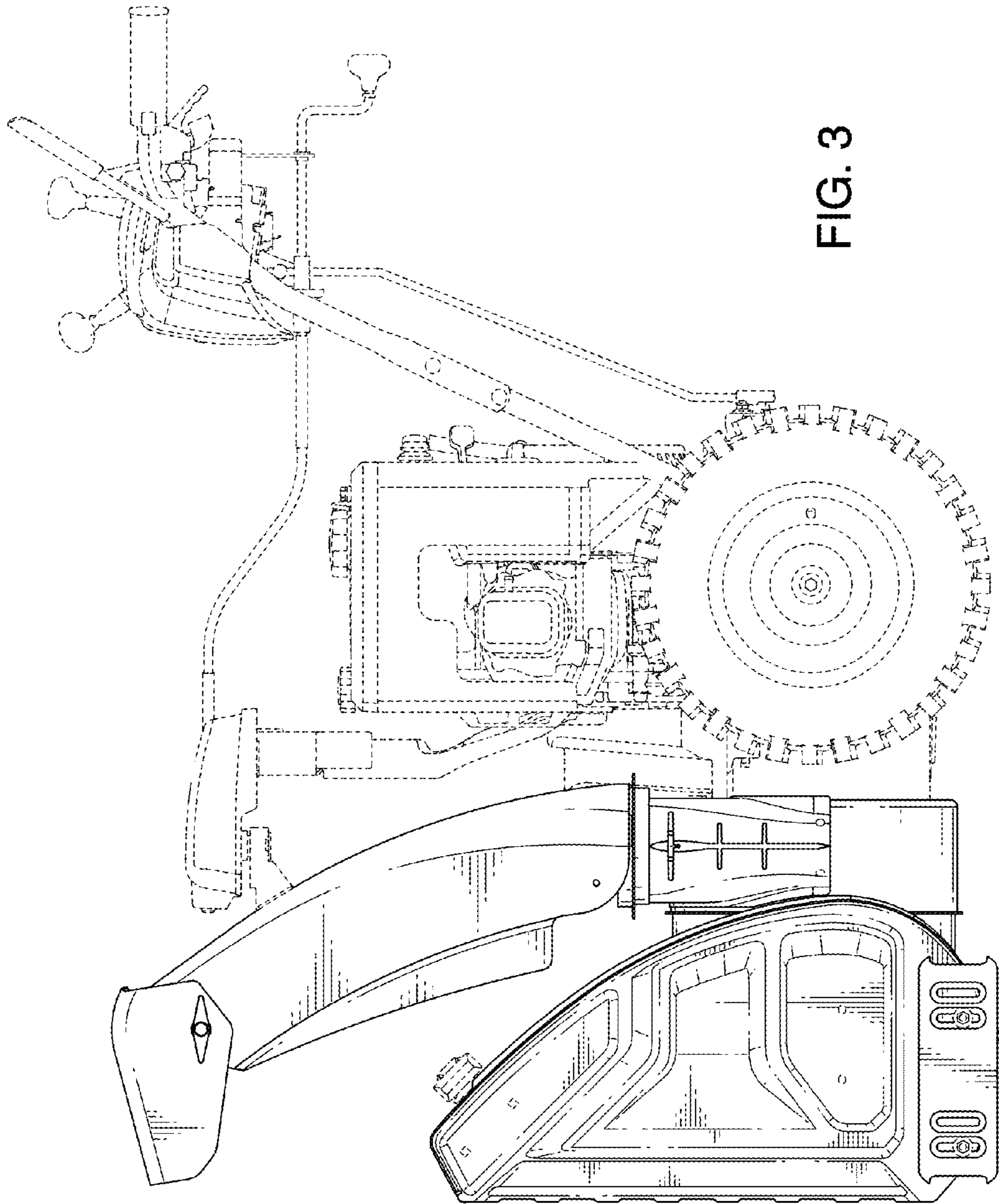


FIG. 3

FIG. 5

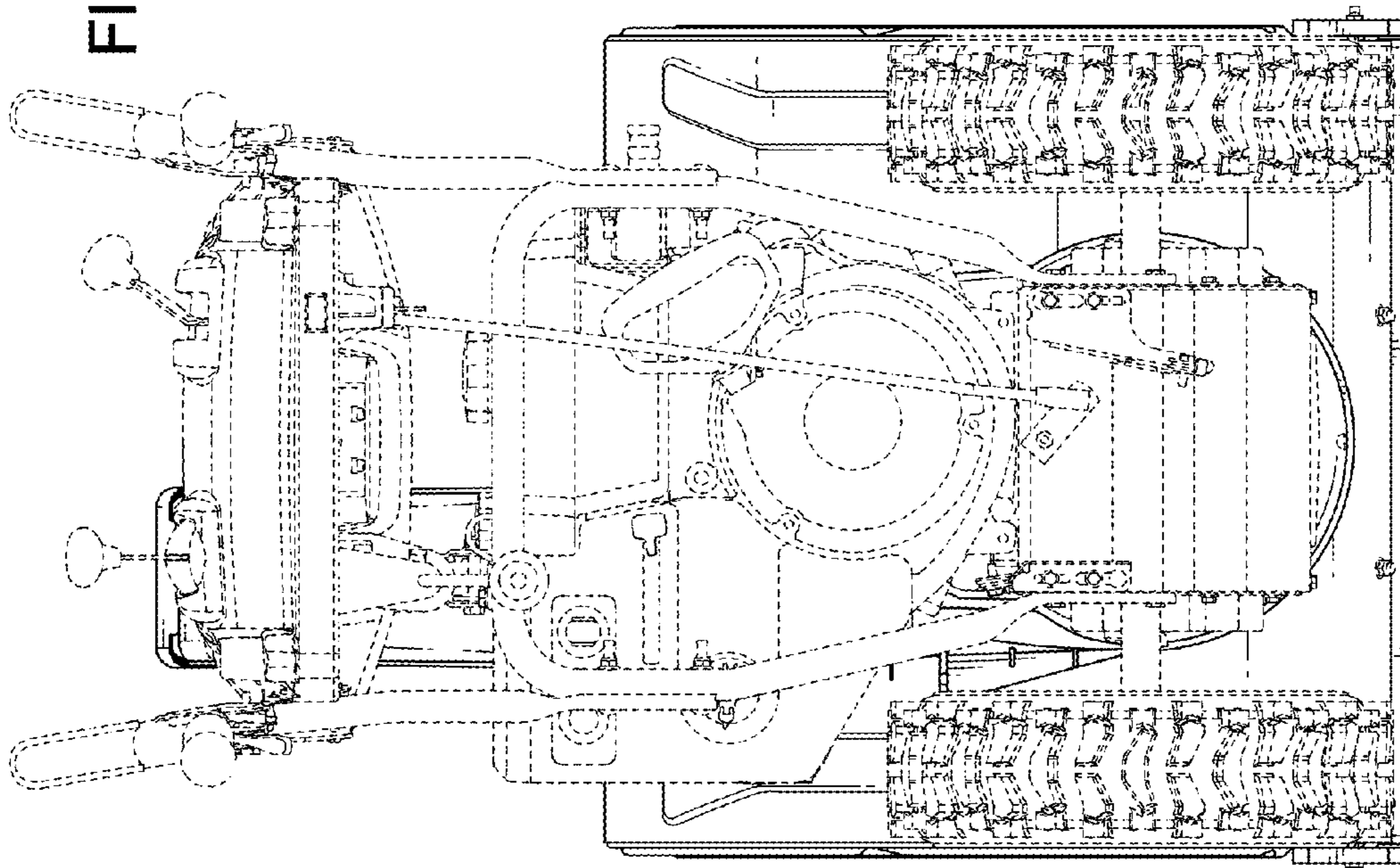
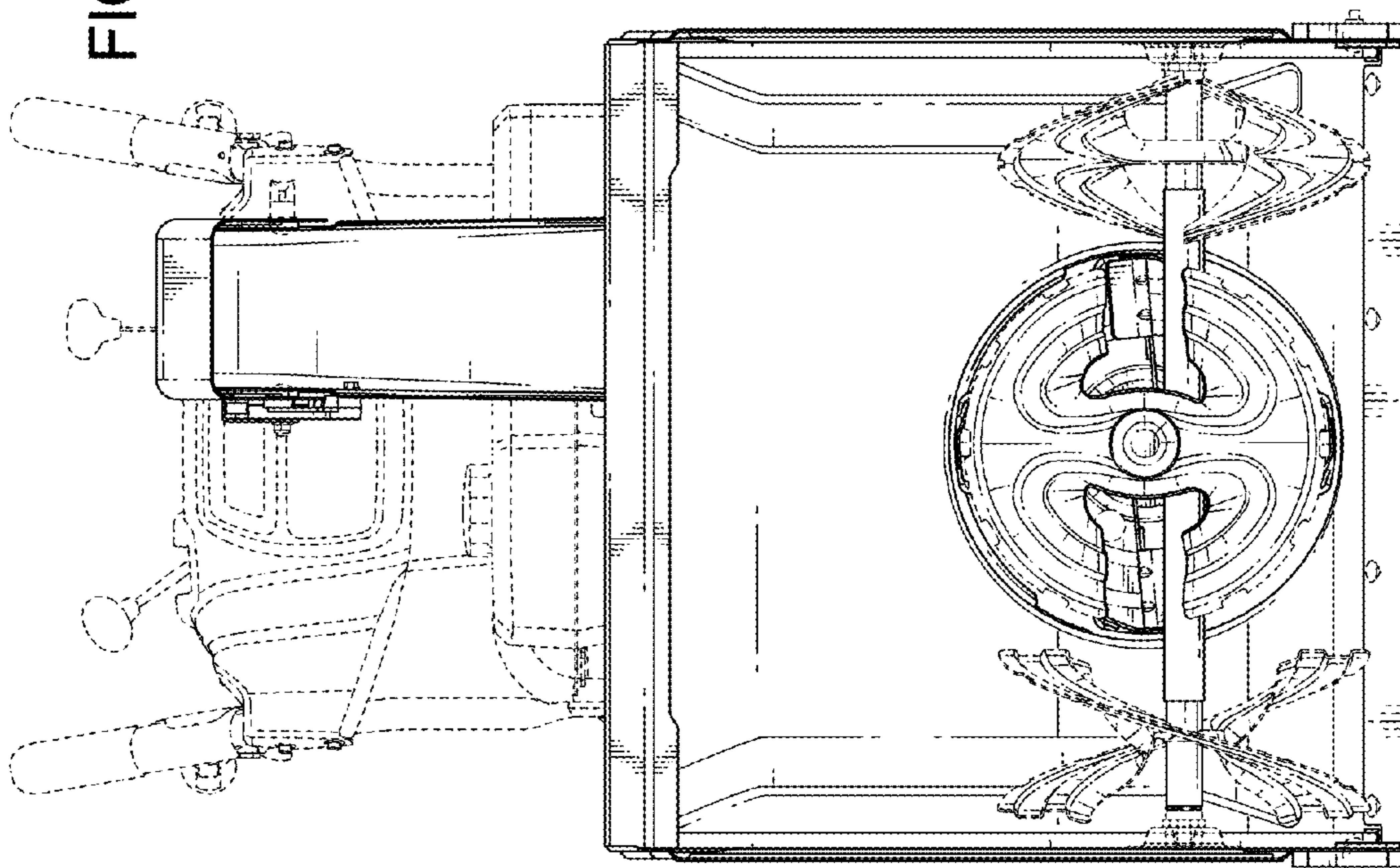


FIG. 4



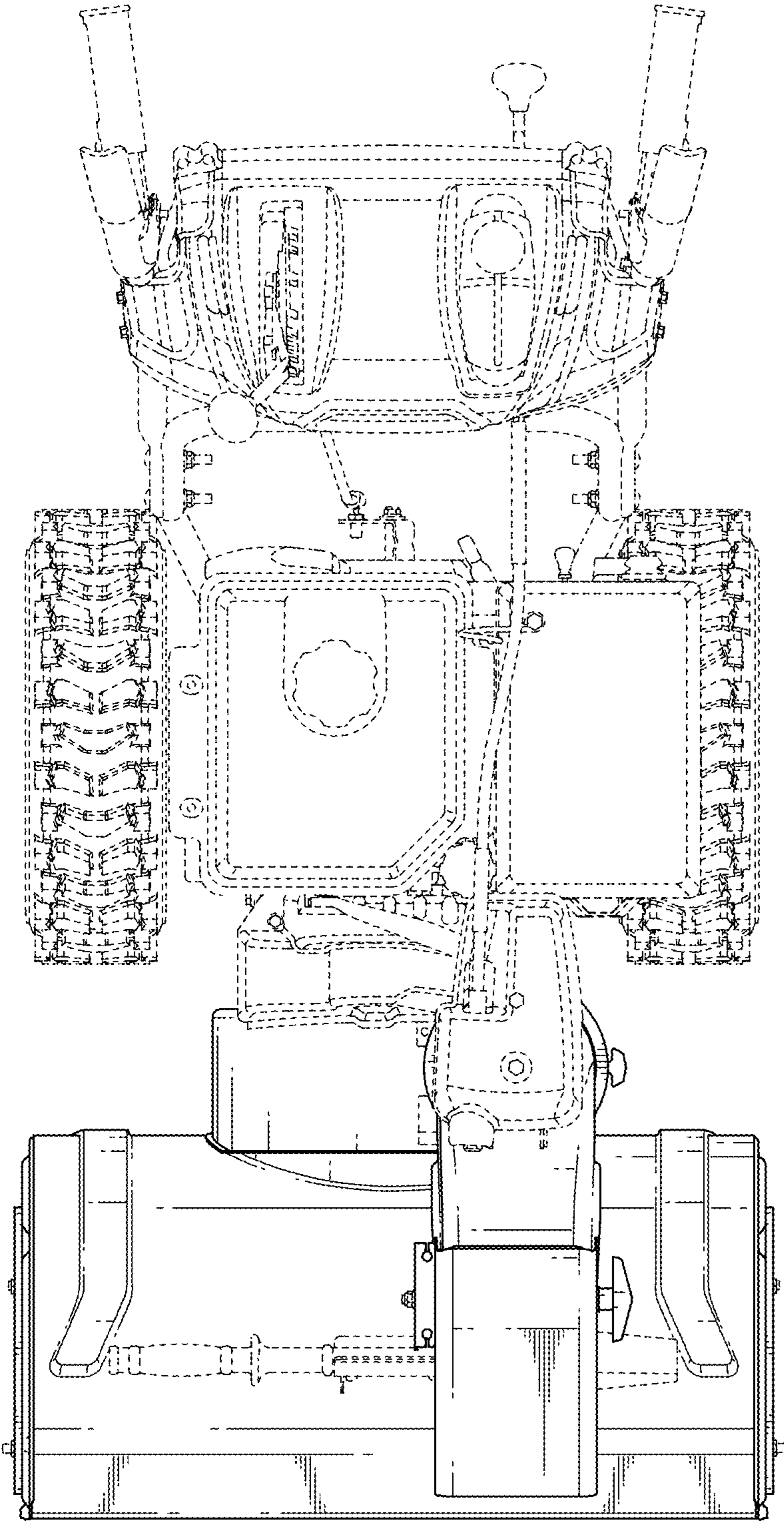


FIG. 6

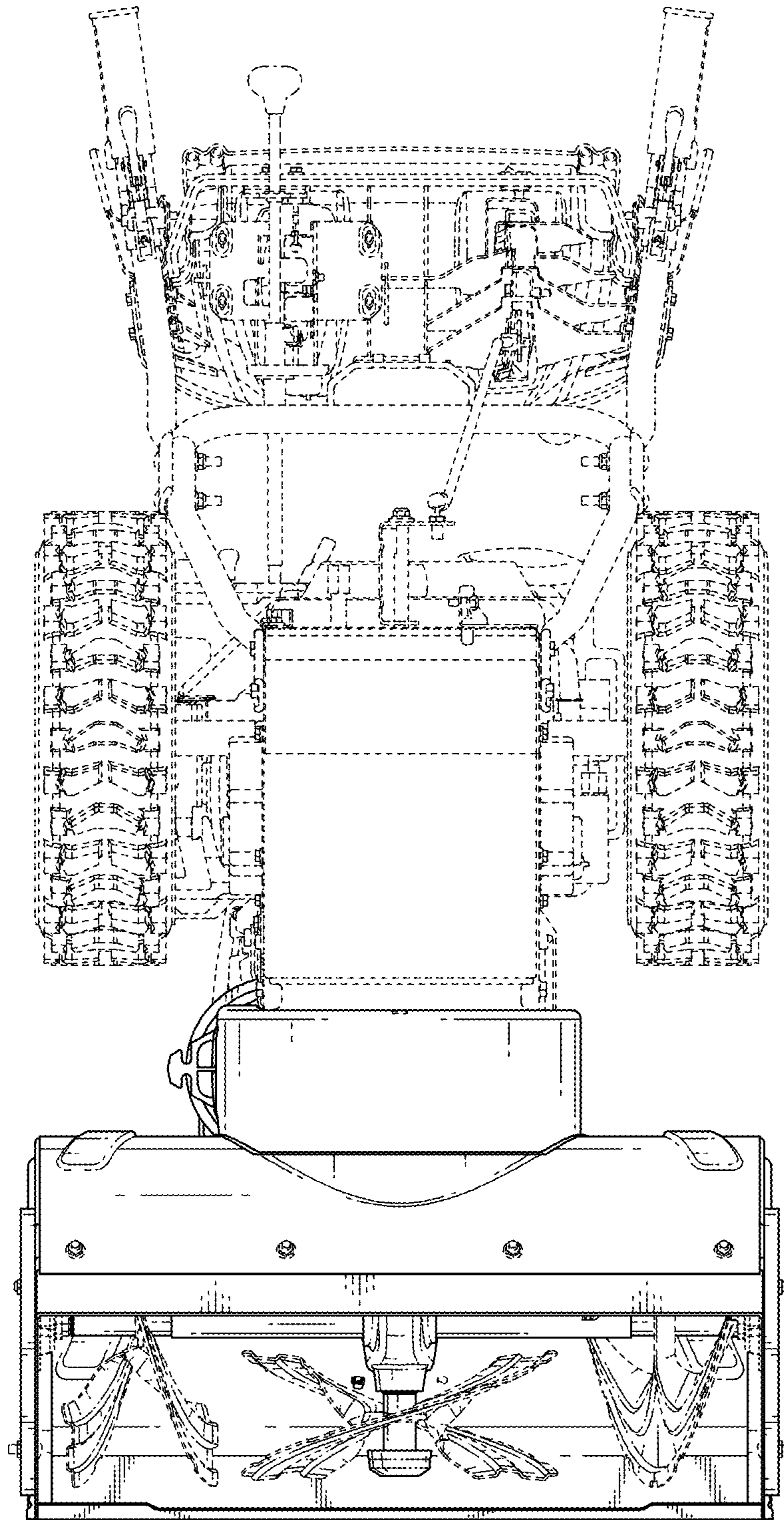


FIG. 7