



US00D705268S

(12) **United States Design Patent**
Pindell

(10) **Patent No.:** **US D705,268 S**
(45) **Date of Patent:** **** May 20, 2014**

(54) **EXSICCATE DEVICE**

(71) Applicant: **Pindell Engineering Inc.**, Port Townsend, WA (US)

(72) Inventor: **Richard Pindell**, Port Townsend, WA (US)

(73) Assignee: **H2Out, Inc.**, Sequim, WA (US)

(**) Term: **14 Years**

(21) Appl. No.: **29/446,013**

(22) Filed: **Feb. 19, 2013**

Related U.S. Application Data

(63) Continuation of application No. 12/841,431, filed on Jul. 22, 2010, now abandoned.

(51) **LOC (10) Cl.** **15-01**

(52) **U.S. Cl.**
USPC **D15/5**

(58) **Field of Classification Search**
USPC D15/1-5; 422/179, 177, 211, 213;
136/253; 60/302, 299; D12/400, 194;
D23/365; 34/482; 55/275, 387, 316,
55/482

See application file for complete search history.

(56) **References Cited**

U.S. PATENT DOCUMENTS

2,225,990	A	12/1940	Henry
2,611,481	A	9/1952	Sargeant
2,873,856	A	2/1959	Jones
3,175,342	A	3/1965	Balogh
3,306,011	A	2/1967	Dvorkin
3,434,599	A	3/1969	Wischmeyer
3,796,025	A	3/1974	Kasten
4,209,401	A	6/1980	Henton
4,364,756	A	12/1982	Clarke

(Continued)

FOREIGN PATENT DOCUMENTS

JP	9-210875	A	8/1997
JP	9-310644	A	12/1997
JP	2009-274002	A	11/2009

OTHER PUBLICATIONS

Office Action Summary and Notice of References Cited mailed Nov. 16, 2012, in parent U.S. Appl. No. 12/841,431, filed Jul. 22, 2010, 8 pages.

(Continued)

Primary Examiner — T. Chase Nelson

Assistant Examiner — Ania Aman

(74) *Attorney, Agent, or Firm* — Christensen O'Connor Johnson Kindness PLLC

(57) **CLAIM**

The ornamental design for an exsiccate device, as shown and described.

DESCRIPTION

FIG. 1 is a side perspective view of the exsiccate device showing my new design in an environment in accordance with the embodiment;

FIG. 2 is a side perspective view in another environment thereof;

FIG. 3 is a front perspective view thereof;

FIG. 4 is a front elevational view thereof;

FIG. 5 is a rear elevational view thereof;

FIG. 6 is a side elevational view thereof;

FIG. 7 is a side elevational view thereof;

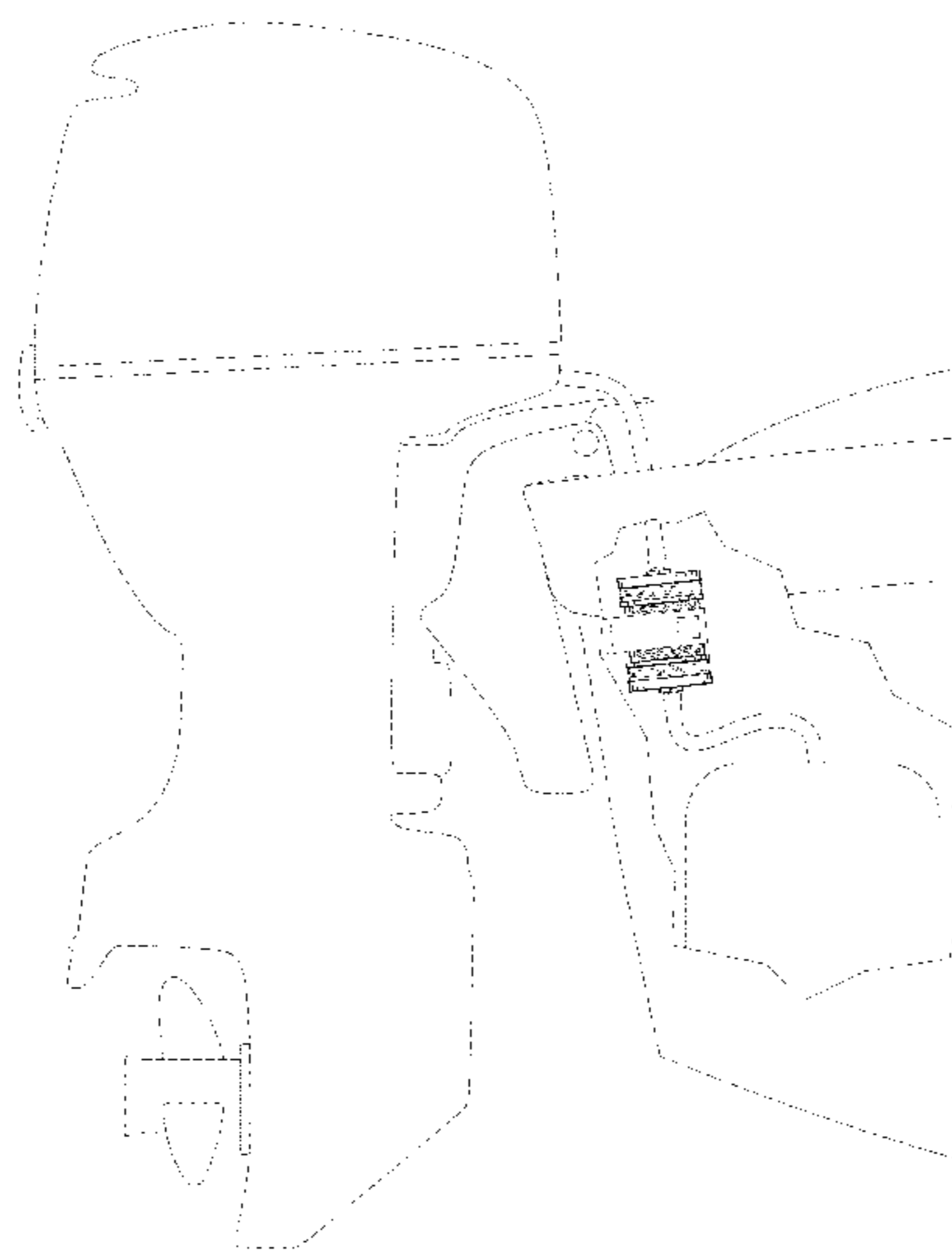
FIG. 8 is a top plan view thereof;

FIG. 9 is a bottom plan view thereof; and,

FIG. 10 is an exploded, front perspective view thereof.

The broken lines depict environmental structure as well as portions of the exsiccate device that form no part of the claimed design.

1 Claim, 10 Drawing Sheets



(56)

References Cited

U.S. PATENT DOCUMENTS

4,548,624 A 10/1985 Waller
 4,637,881 A 1/1987 Sciuto
 4,689,057 A 8/1987 Gasper
 4,795,556 A 1/1989 Brotea
 5,209,074 A 5/1993 McConnell
 5,689,893 A 11/1997 Mitsch
 5,950,323 A 9/1999 Wroth
 6,038,786 A 3/2000 Aisenberg
 6,079,122 A 6/2000 Rajkovich
 6,170,288 B1 1/2001 Incorvia
 D438,606 S * 3/2001 Jackson D23/355
 D439,318 S * 3/2001 Jackson D23/355
 D439,644 S * 3/2001 Jackson D23/355
 6,217,639 B1 * 4/2001 Jackson 96/134
 6,235,192 B1 5/2001 Melfi
 6,444,121 B1 9/2002 Maxwell
 6,764,593 B1 7/2004 Pace
 7,032,325 B2 4/2006 Walker
 7,108,740 B2 * 9/2006 Arno et al. 96/134
 7,285,156 B2 * 10/2007 Arno et al. 96/117.5

7,416,087 B2 8/2008 Press
 7,607,289 B2 * 10/2009 Schmeichel et al. 60/283
 7,857,806 B2 12/2010 Karpowicz
 2002/0095918 A1 * 7/2002 Debenedetti et al. 55/482
 2004/0093859 A1 * 5/2004 Schmeichel et al. 60/299
 2004/0139734 A1 * 7/2004 Schmeichel et al. 60/283
 2004/0231182 A1 11/2004 Walker
 2005/0199541 A1 * 9/2005 Jheng 210/435
 2005/0277107 A1 12/2005 Toner
 2006/0230629 A1 10/2006 Arno
 2007/0114165 A1 5/2007 Buczynsky
 2007/0219532 A1 9/2007 Karpowicz
 2007/0266585 A1 11/2007 Arno
 2008/0299697 A1 12/2008 Guerra
 2011/0061259 A1 * 3/2011 Pindell 34/201
 2011/0077605 A1 3/2011 Karpowicz

OTHER PUBLICATIONS

International Search Report and Written Opinion mailed Apr. 28, 2011, issued in corresponding International Application No. PCT/US2010/047715, filed Sep. 2, 2010, 5 pages.

* cited by examiner

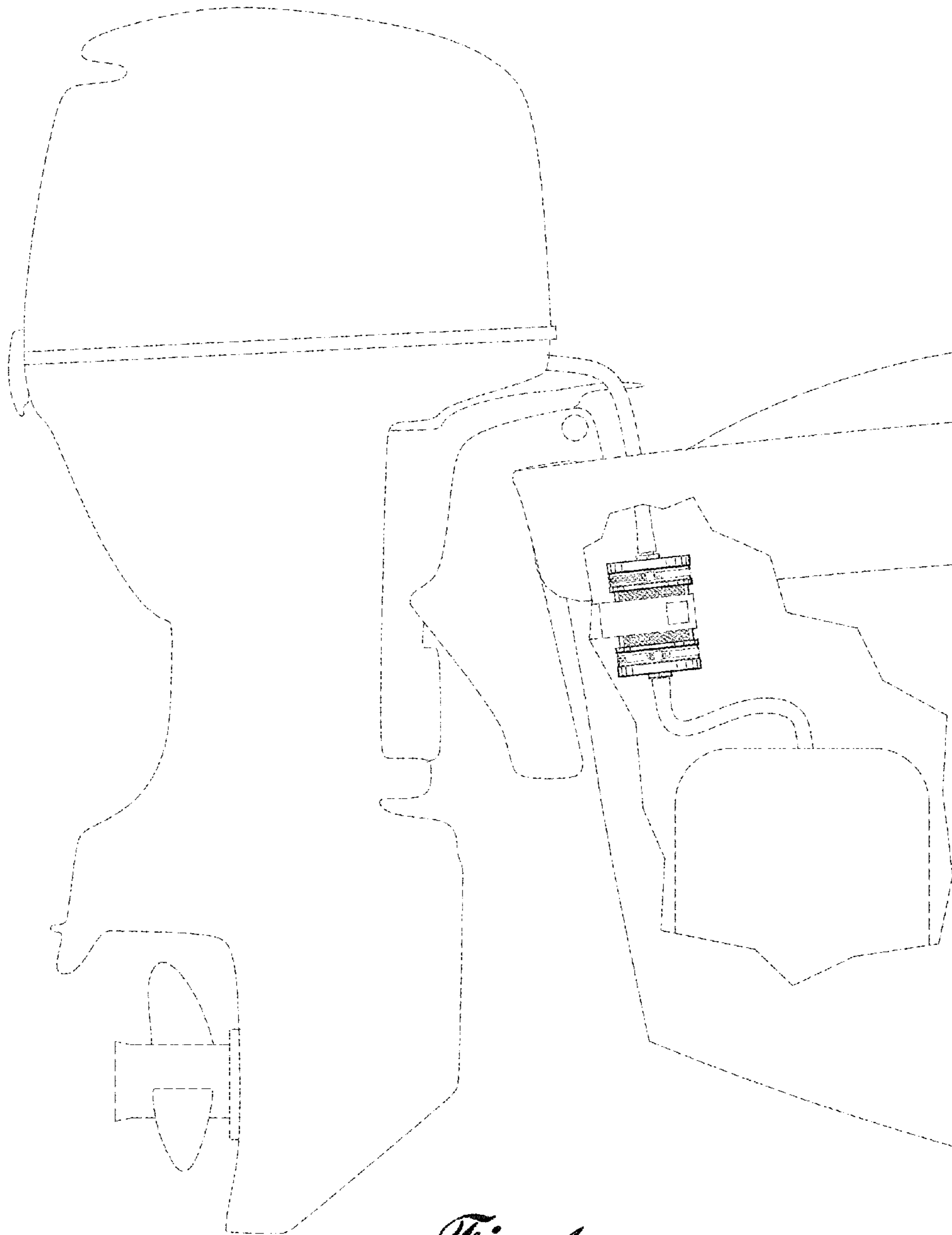


Fig. 1.

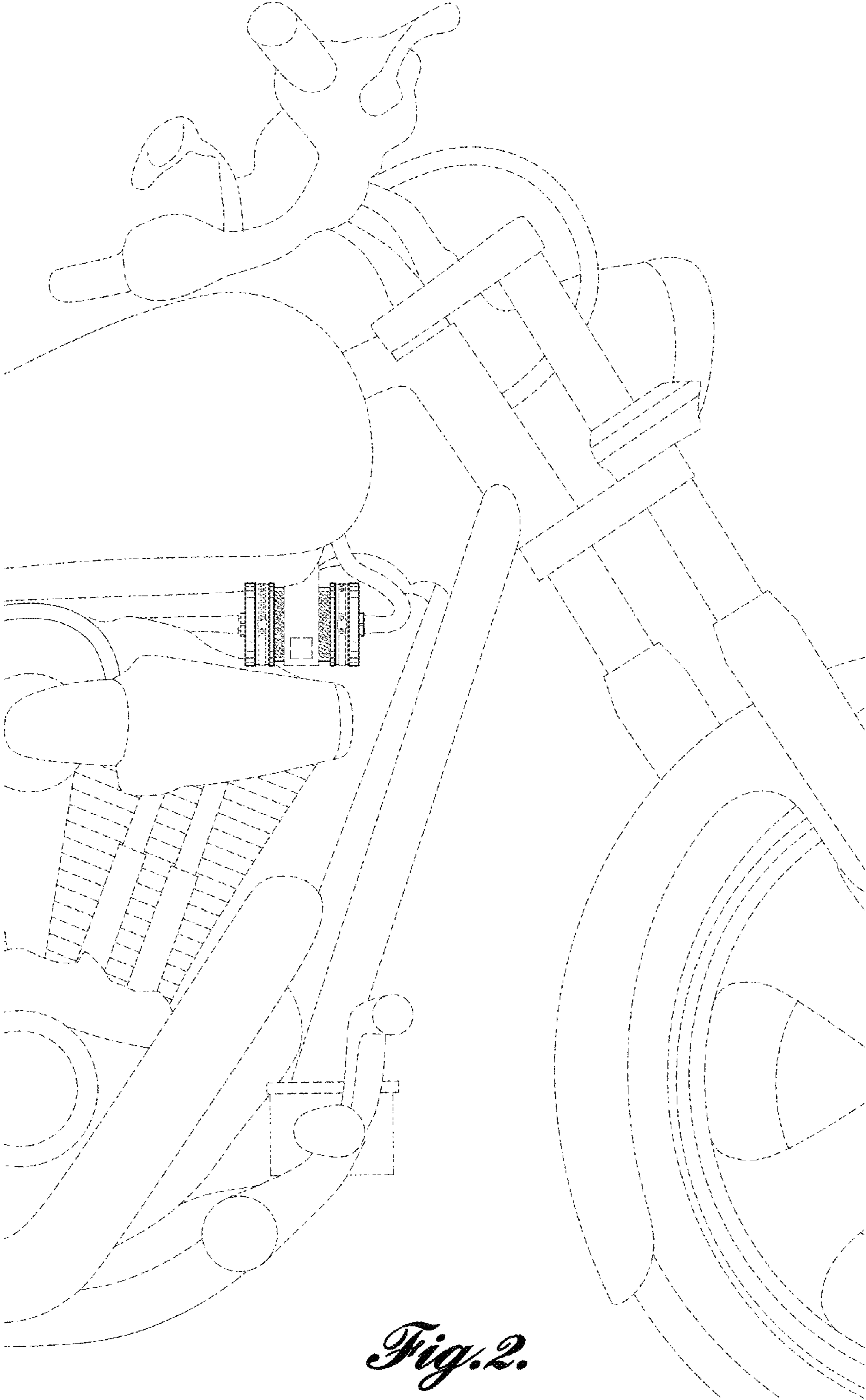


Fig. 2.

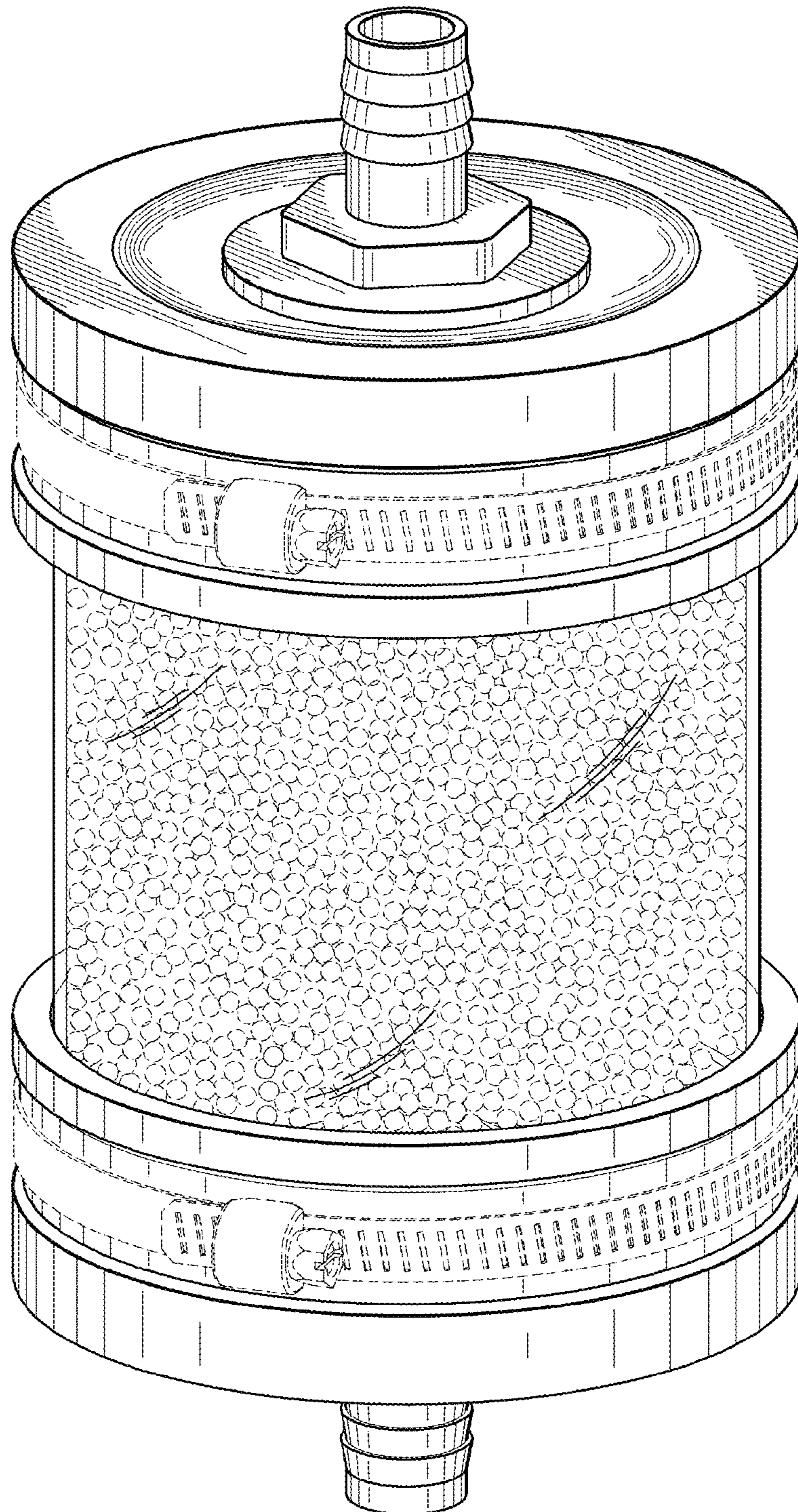


Fig. 3.

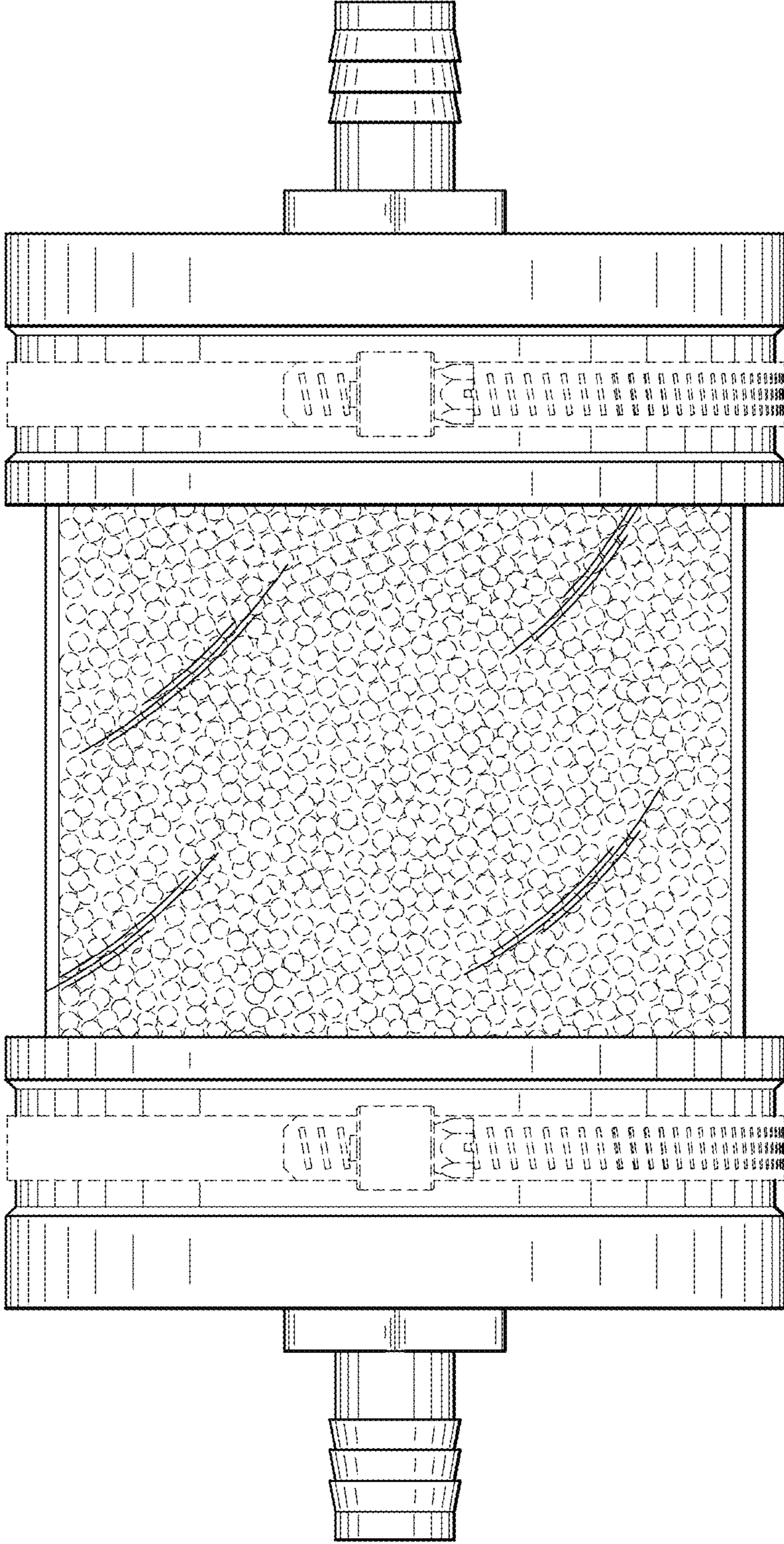


Fig. 4.

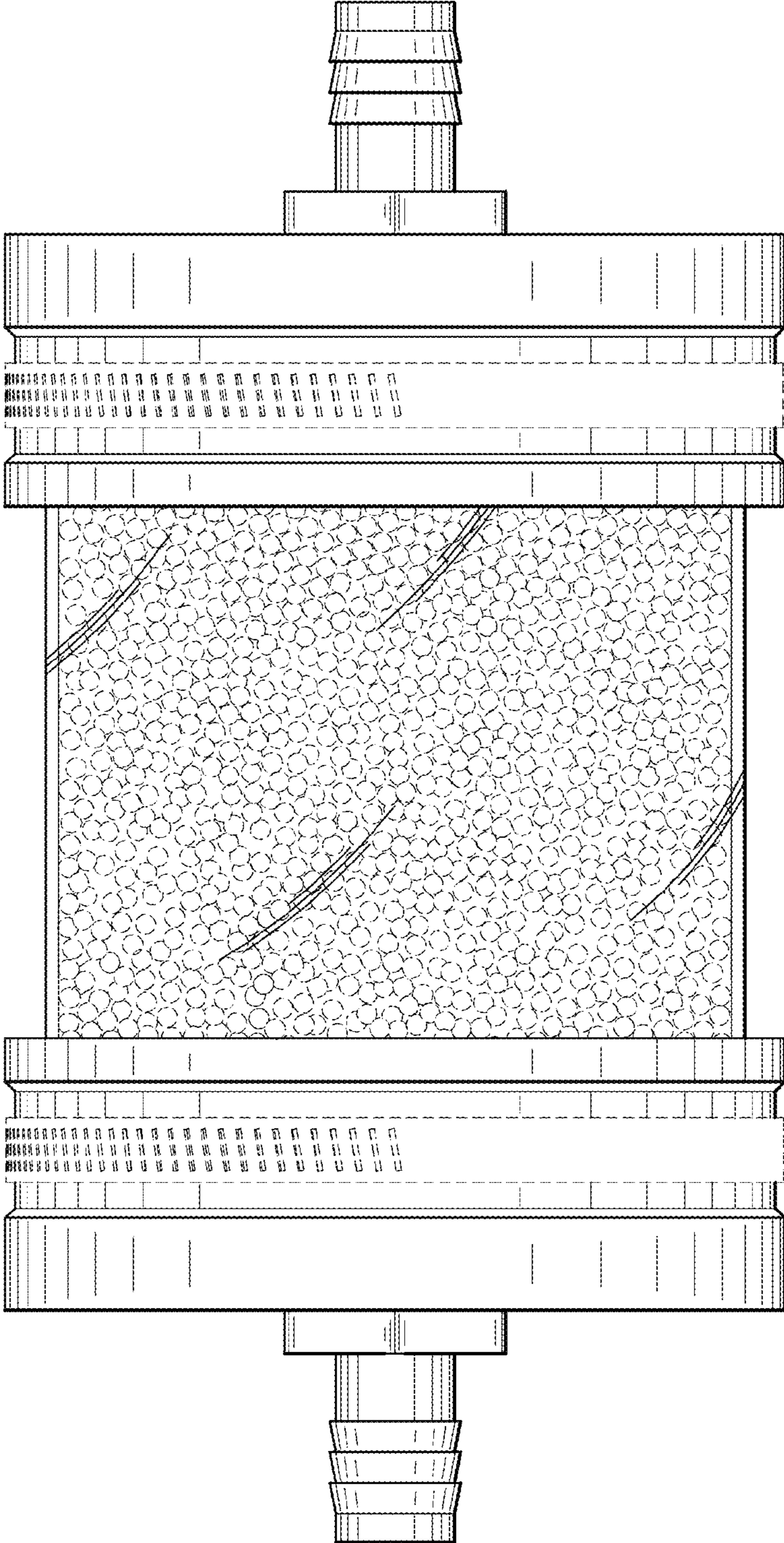


Fig. 5.

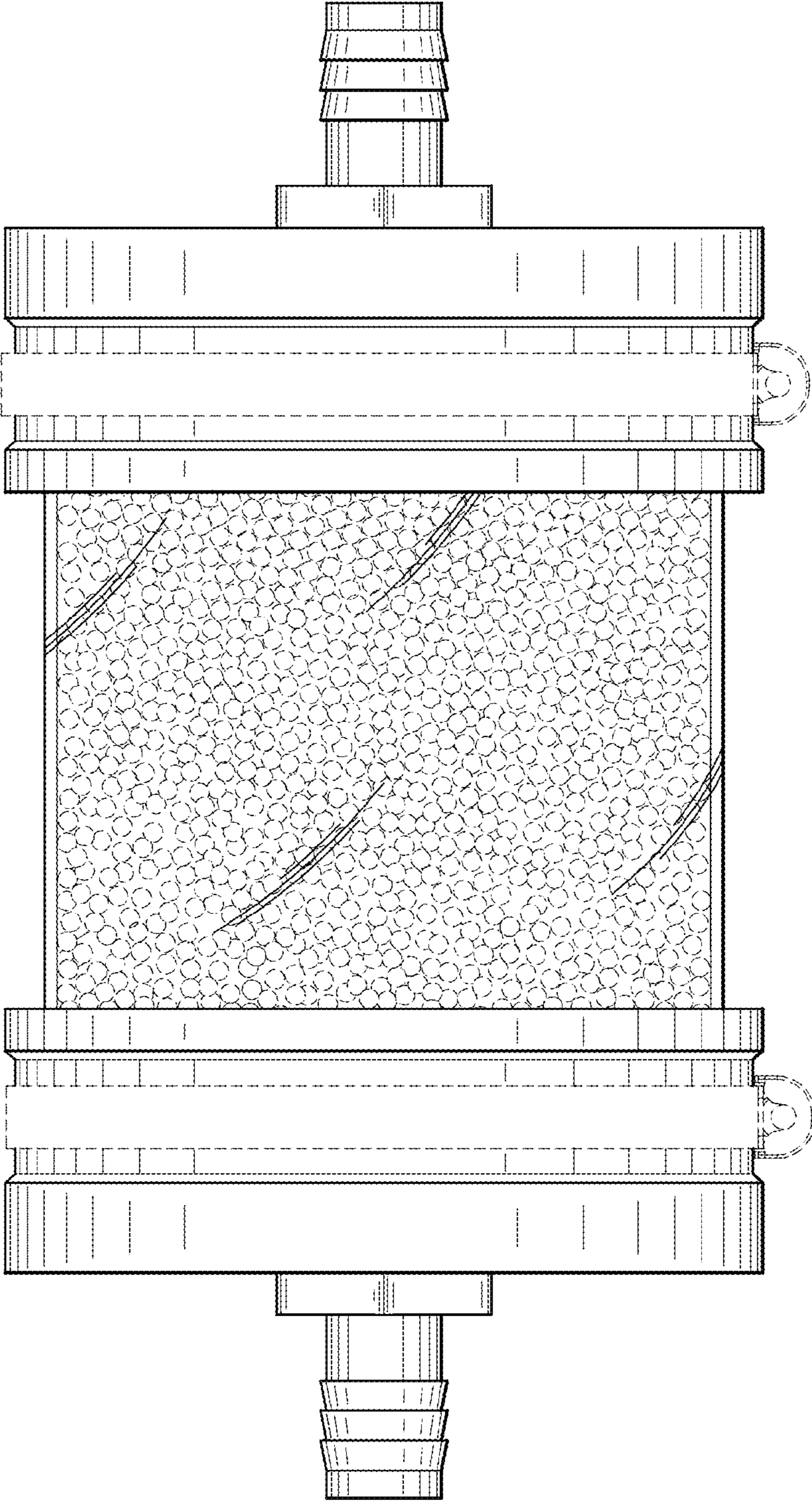


Fig. 6.

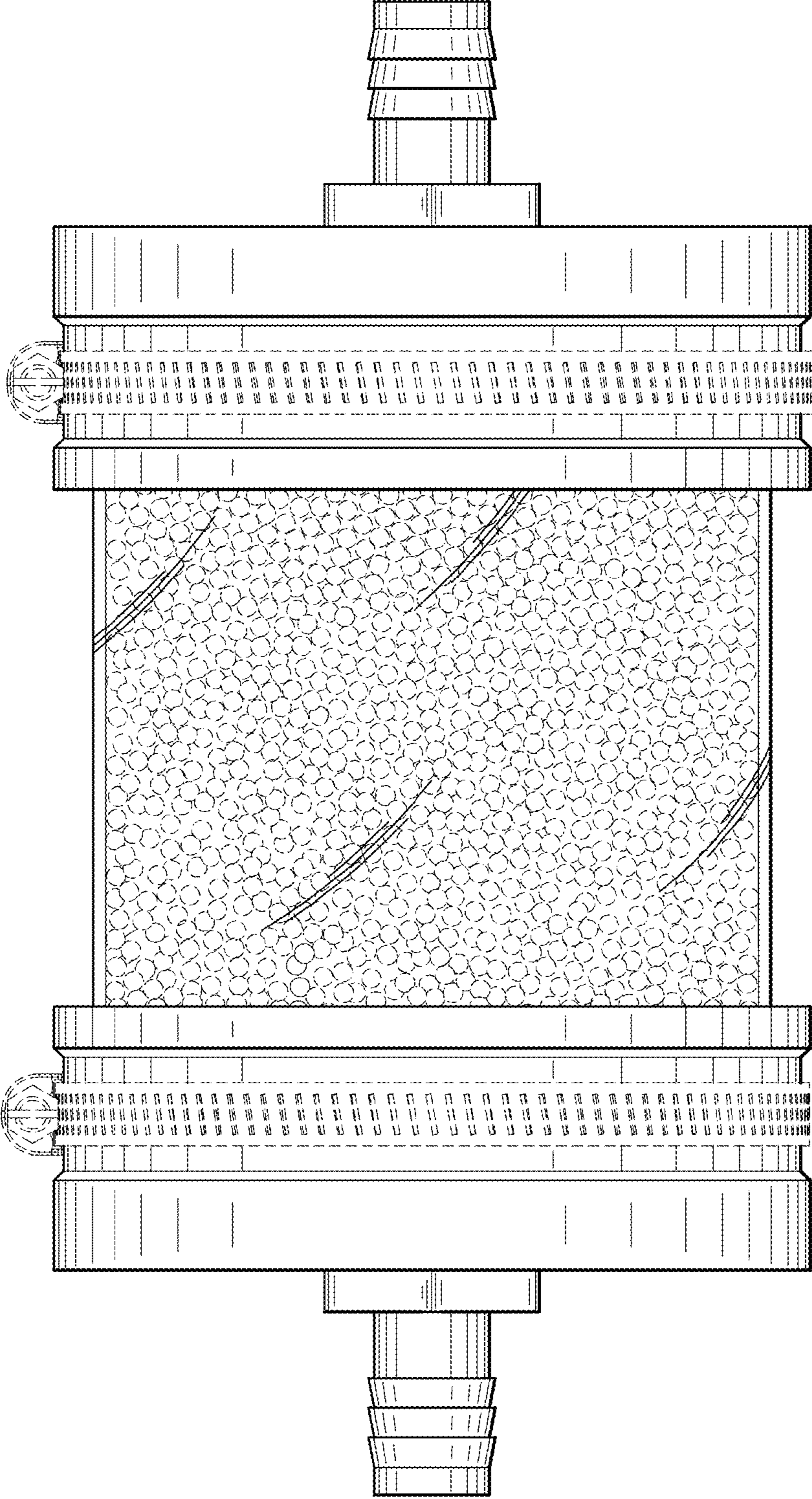


Fig. 7.

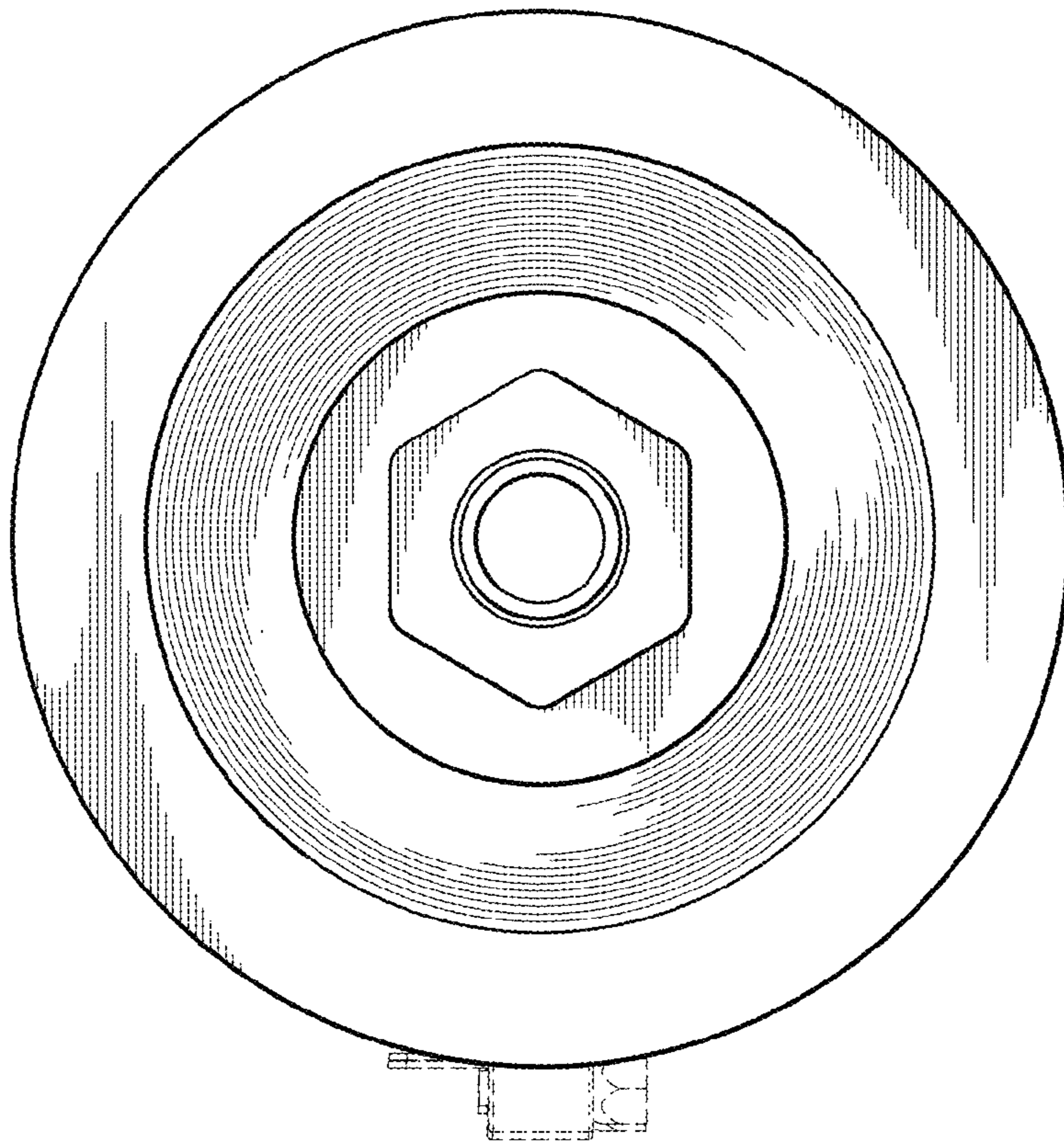


Fig. 8.

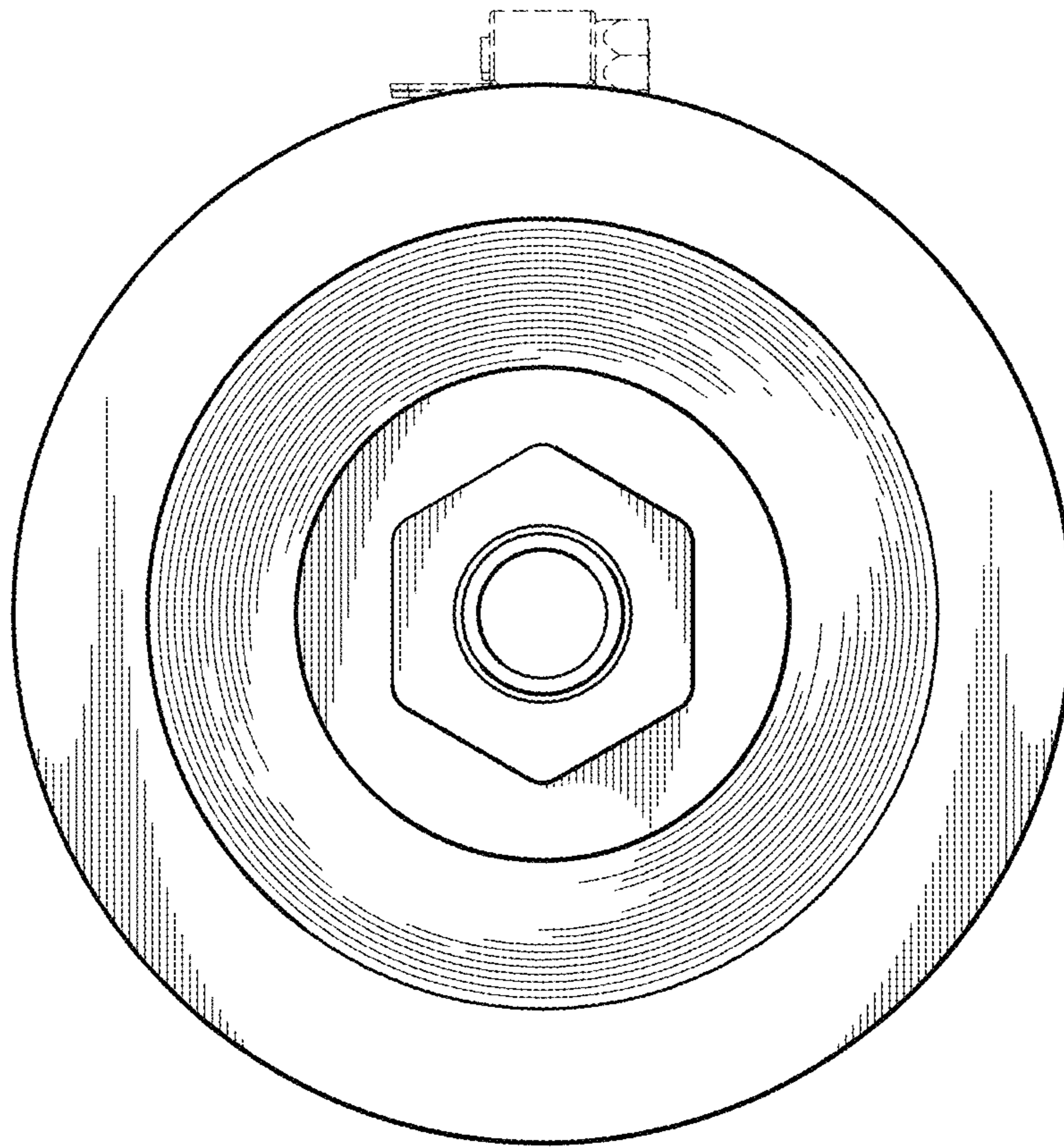


Fig. 9.

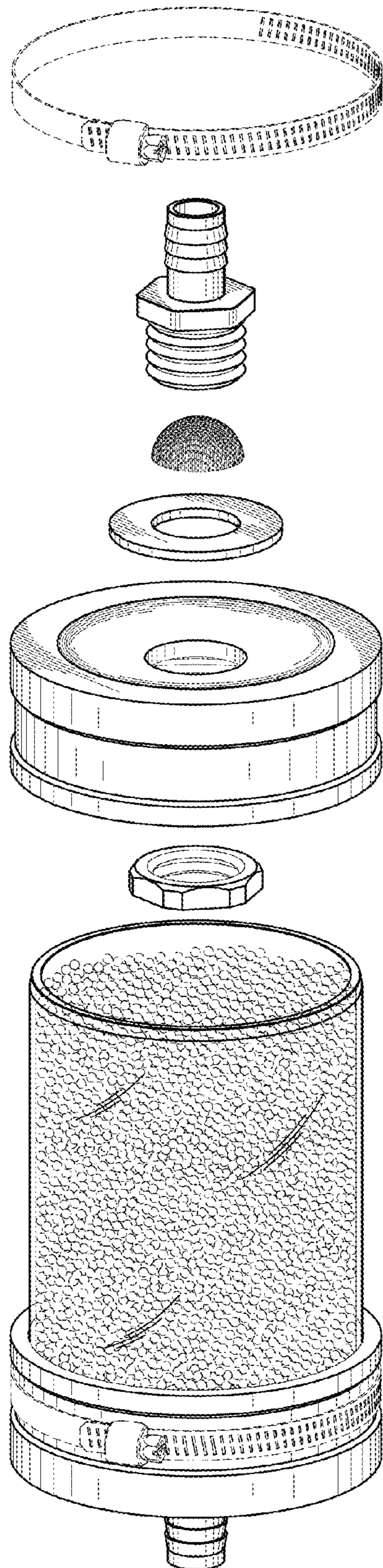


Fig. 10.