



US00D705267S

(12) **United States Design Patent**  
**Li et al.**

(10) **Patent No.:** **US D705,267 S**

(45) **Date of Patent:** **\*\* May 20, 2014**

(54) **DISC PLAYER**

(71) Applicant: **Hon Hai Precision Industry Co., Ltd.**,  
New Taipei (TW)

(72) Inventors: **Min-Li Li**, Shenzhen (CN); **Xue-Feng Wan**, Shenzhen (CN)

(73) Assignee: **Hon Hai Precision Industry Co., Ltd.**,  
New Taipei (TW)

(\*\*) Term: **14 Years**

(21) Appl. No.: **29/451,796**

(22) Filed: **Apr. 9, 2013**

(30) **Foreign Application Priority Data**

Dec. 28, 2012 (CN) ..... 2012 3 0658889

(51) **LOC (10) Cl.** ..... **14-03**

(52) **U.S. Cl.**  
USPC ..... **D14/502**

(58) **Field of Classification Search**

USPC ..... D9/430, 431, 435; D13/103, 108;  
D14/138 R, 138 AA, 138 C, 138 G, 139,  
D14/140.1, 155, 157, 170, 171, 183, 188,  
D14/195, 216, 250, 258, 315-327, 348, 353,  
D14/363-368, 444, 478-480, 498-506,  
D14/510; D16/219, 221; 360/99.02, 99.07;  
369/75.11, 75.21, 77.11, 77.21;  
455/90, 100, 128; 720/601, 612, 619,  
720/649, 655

See application file for complete search history.

(56) **References Cited**

U.S. PATENT DOCUMENTS

D511,333 S *	11/2005	Lai et al. ....	D14/506
D530,694 S *	10/2006	Park .....	D14/502
D619,148 S *	7/2010	Tejima .....	D14/502
D639,824 S *	6/2011	Usami et al. ....	D14/505
D647,923 S *	11/2011	Son et al. ....	D14/505
D648,349 S *	11/2011	Son et al. ....	D14/502
D654,091 S *	2/2012	Son et al. ....	D14/502
D680,553 S *	4/2013	Wang et al. ....	D14/505
2013/0112454 A1 *	5/2013	Wan et al. ....	174/50

\* cited by examiner

*Primary Examiner* — Prabhakar Deshmukh

*Assistant Examiner* — Janice Lim

(74) *Attorney, Agent, or Firm* — Novak Druce Connolly  
Bove + Quigg LLP

(57) **CLAIM**

The ornamental design for a disc player, as shown and described.

**DESCRIPTION**

FIG. 1 is a perspective view of a disc player showing our new design;

FIG. 2 is a front elevation view thereof;

FIG. 3 is a rear elevation view thereof;

FIG. 4 is a left side, elevation view thereof;

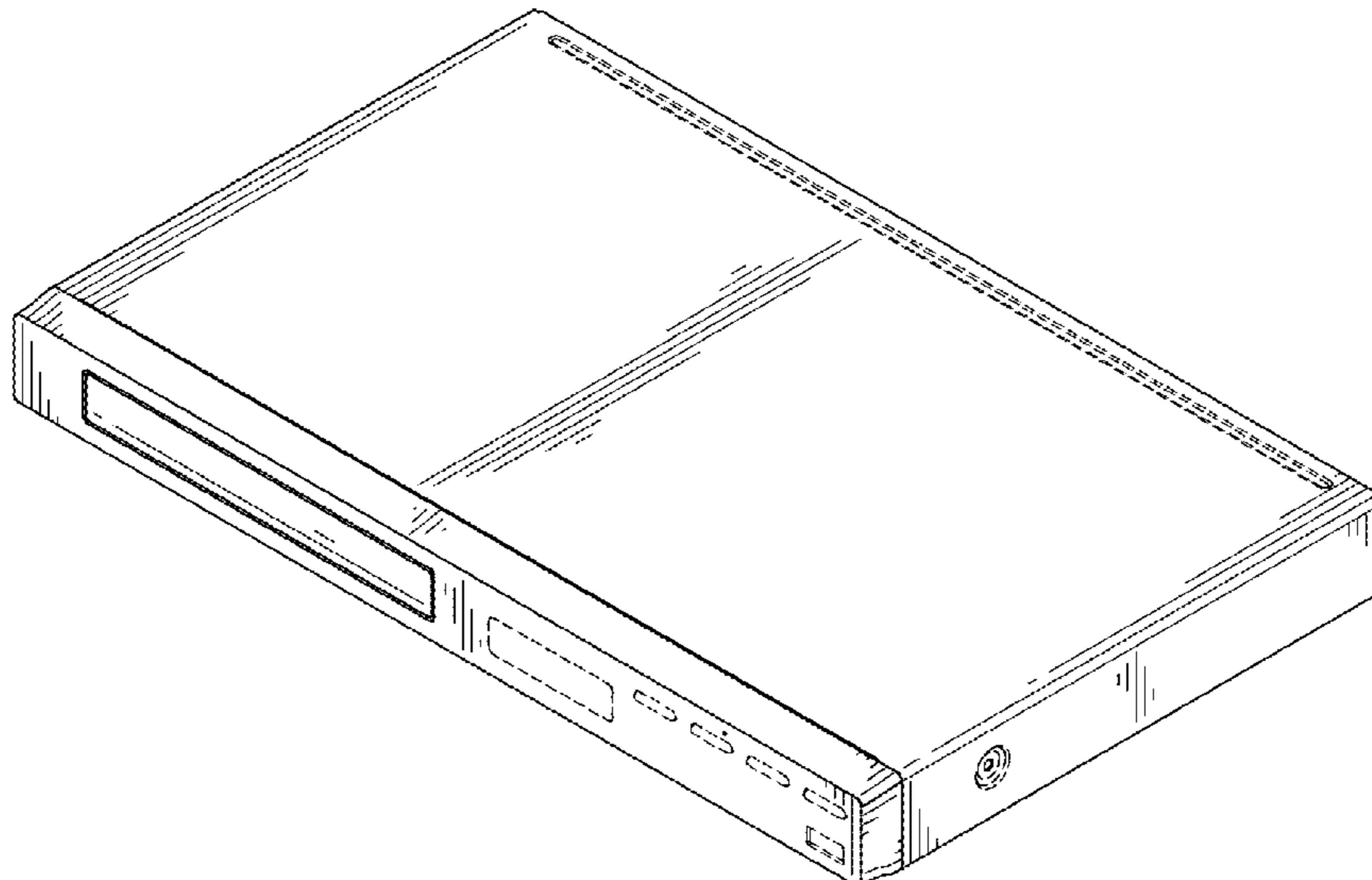
FIG. 5 is a right side, elevation view thereof;

FIG. 6 is a top plan view thereof; and,

FIG. 7 is a bottom plan view thereof.

The broken lines show unclaimed subject matter and form no part of the claimed design.

**1 Claim, 7 Drawing Sheets**



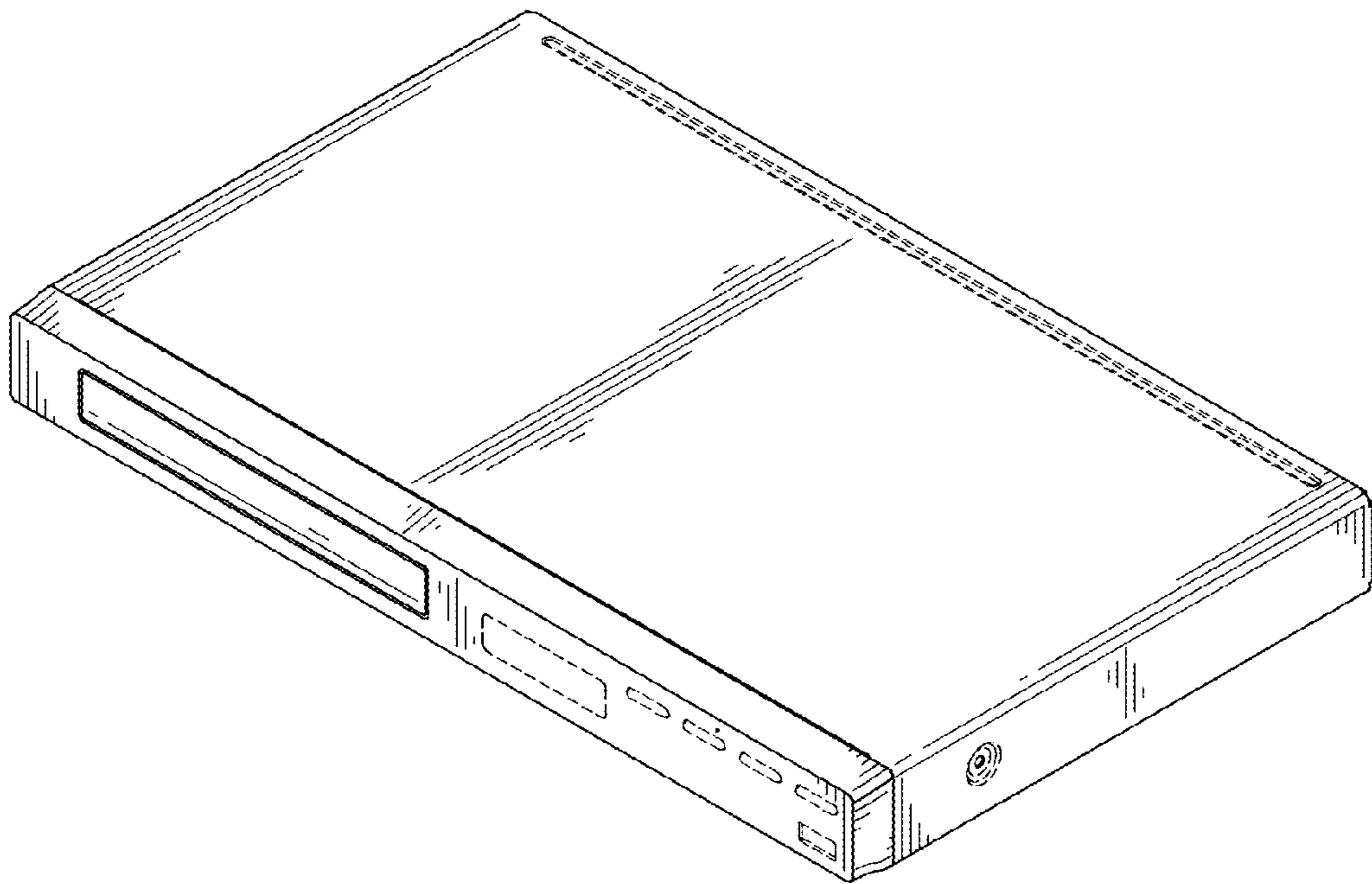


FIG. 1

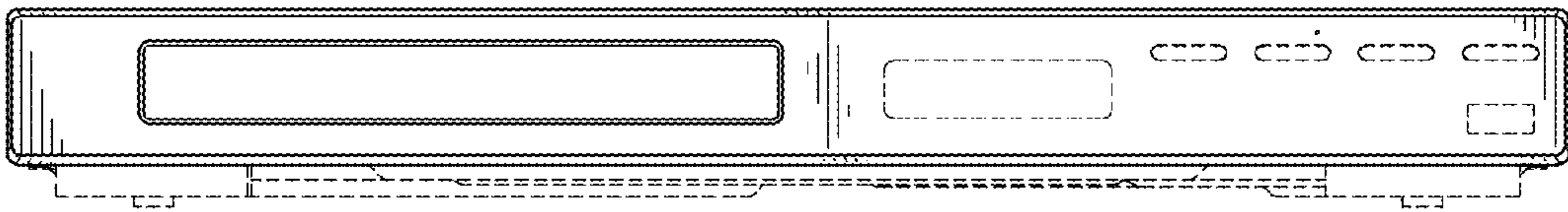


FIG. 2

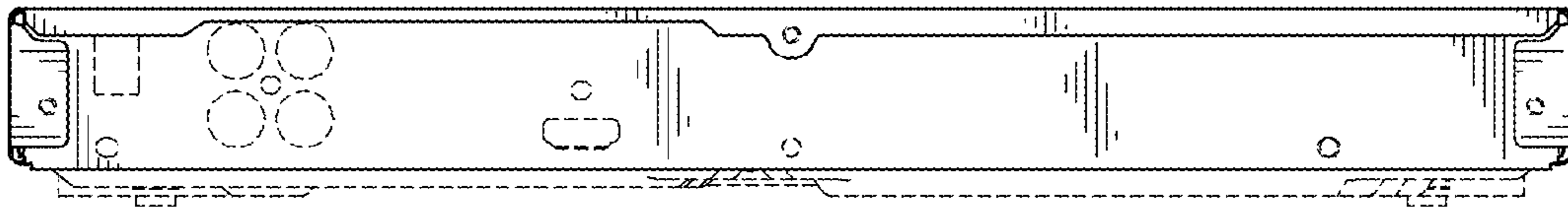


FIG. 3

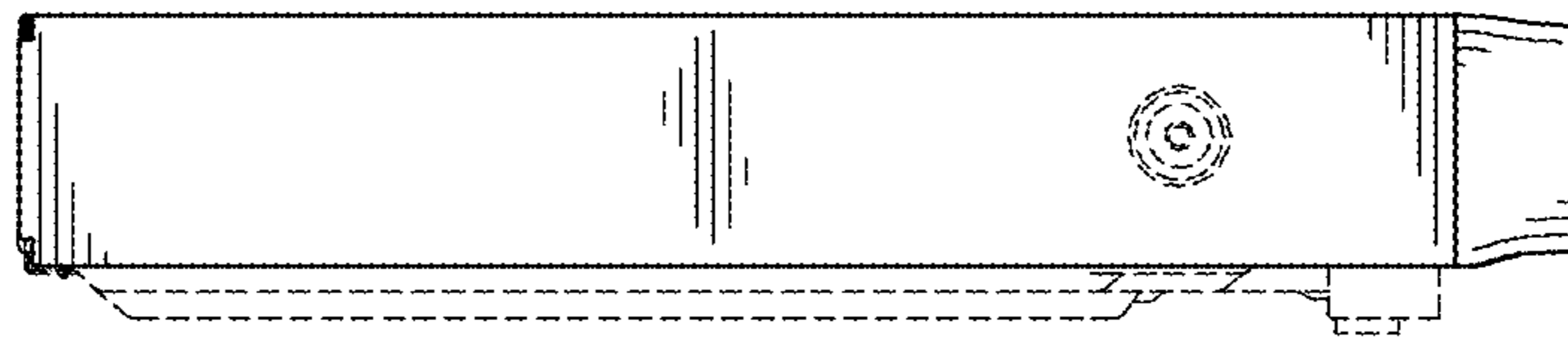


FIG. 4

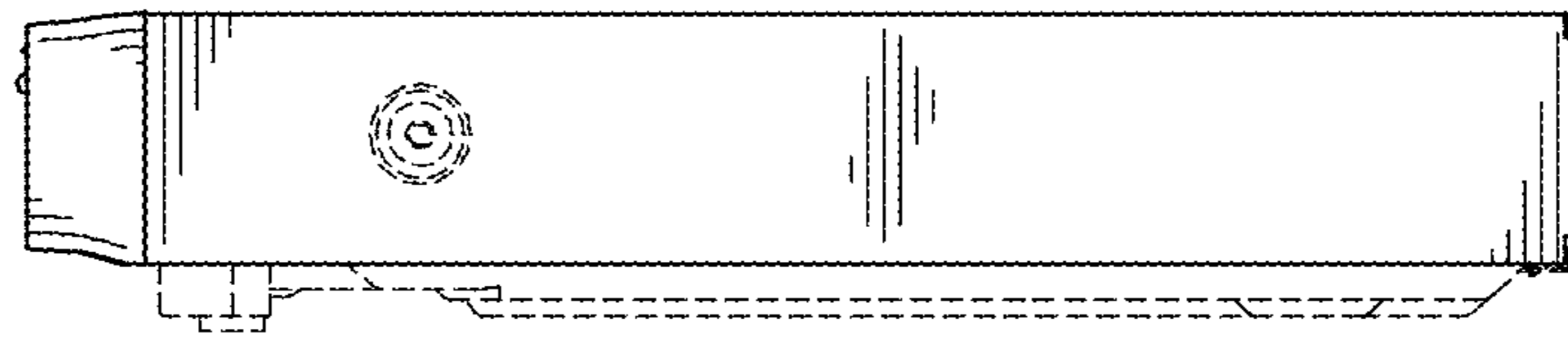


FIG. 5

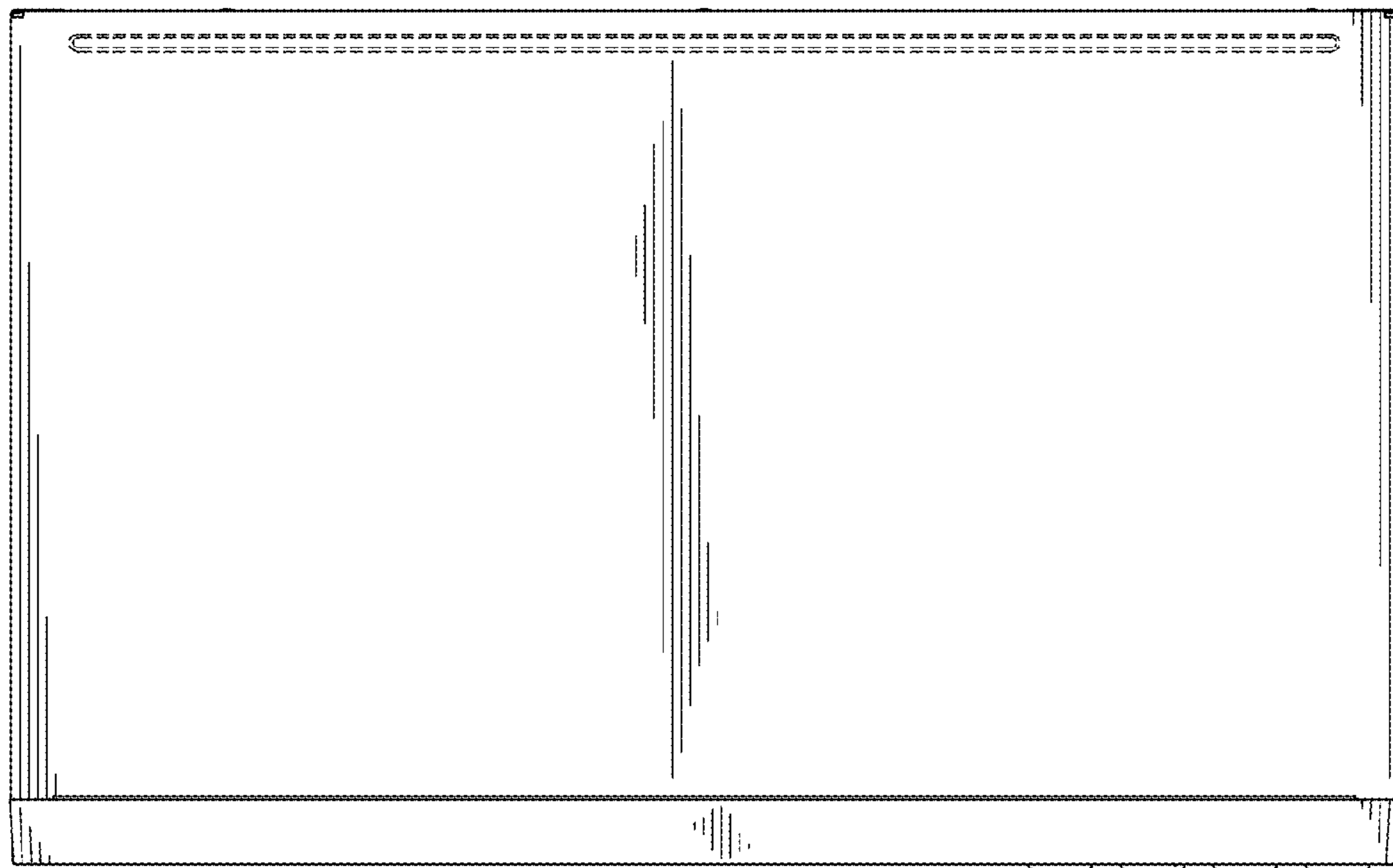


FIG. 6

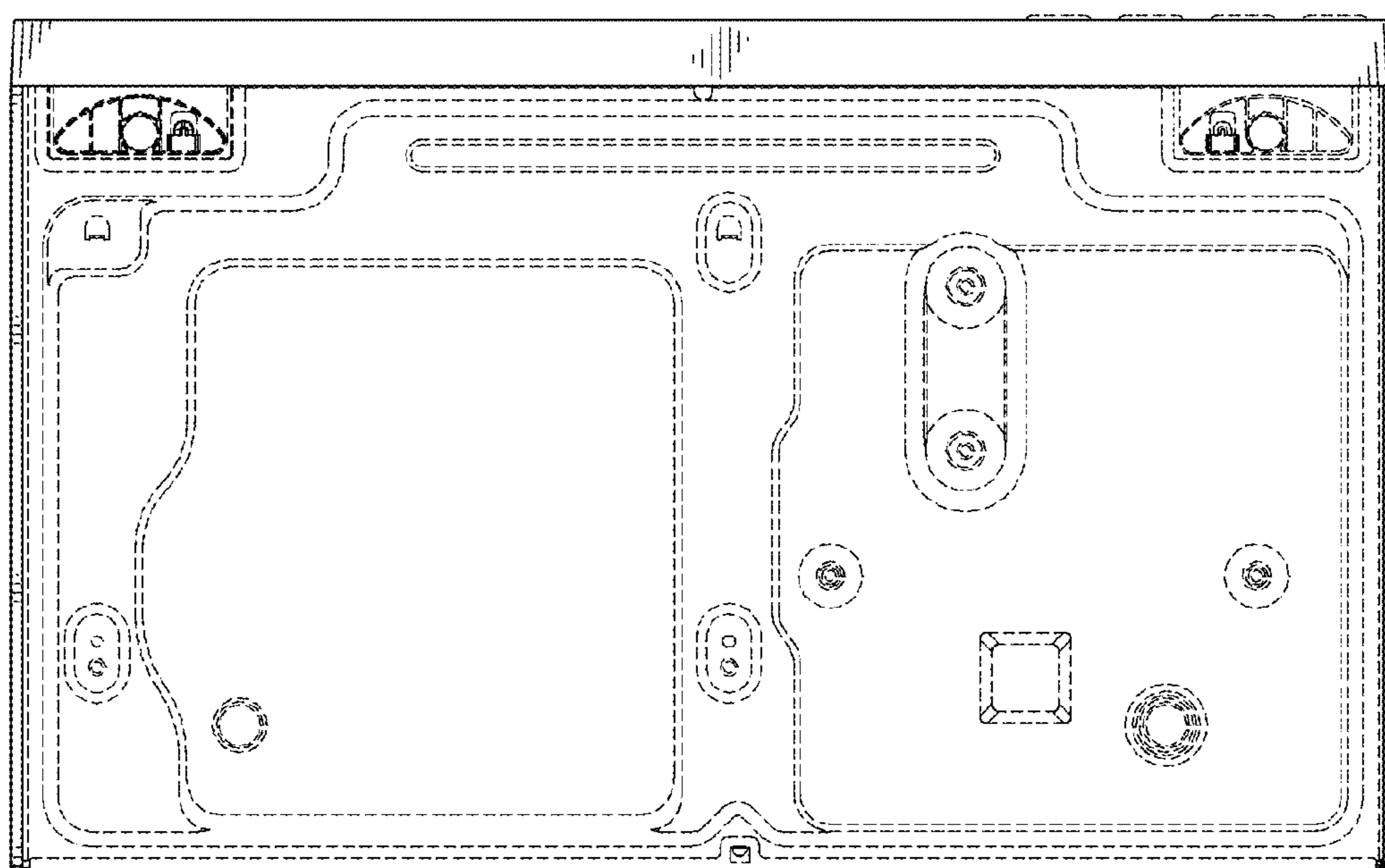


FIG. 7