



US00D705265S

(12) **United States Design Patent**
Diaz et al.

(10) **Patent No.:** **US D705,265 S**

(45) **Date of Patent:** **** May 20, 2014**

(54) **DISC MEDIA PLAYER WITH FRONT MOUNTED MEDIA STICK**

D562,872 S * 2/2008 Hashimoto et al. D16/230
D632,302 S * 2/2011 Kim D14/500
D645,475 S * 9/2011 Kim et al. D14/502
D680,553 S * 4/2013 Wang et al. D14/505

(71) Applicant: **BBY Solutions, Inc.**, Richfield, MN (US)

* cited by examiner

(72) Inventors: **Jorge Diaz**, Eden Prairie, MN (US);
Nancy Gezella, St. Michael, MN (US)

Primary Examiner — Prabhakar Deshmukh

Assistant Examiner — Janice Lim

(73) Assignee: **BBY Solutions, Inc.**, Richfield, MN (US)

(74) *Attorney, Agent, or Firm* — Beck + Tysver PLLC

(**) Term: **14 Years**

(57) **CLAIM**

The ornamental design for a disc media player with front mounted media stick, as shown and described.

(21) Appl. No.: **29/434,377**

DESCRIPTION

(22) Filed: **Oct. 12, 2012**

(51) **LOC (10) Cl.** **14-03**

(52) **U.S. Cl.**
USPC **D14/500**

(58) **Field of Classification Search**
USPC D9/430, 431, 435; D13/103, 108;
D14/135, 155, 157, 160–162, 167, 168,
D14/188–198, 250, 257, 258, 265, 348, 356,
D14/363, 365, 367, 368, 496, 498–505,
D14/511; D16/219, 221; 360/99.02, 99.07;
369/75.11, 75.21, 77.11, 77.21;
720/601, 612, 619, 649, 655
See application file for complete search history.

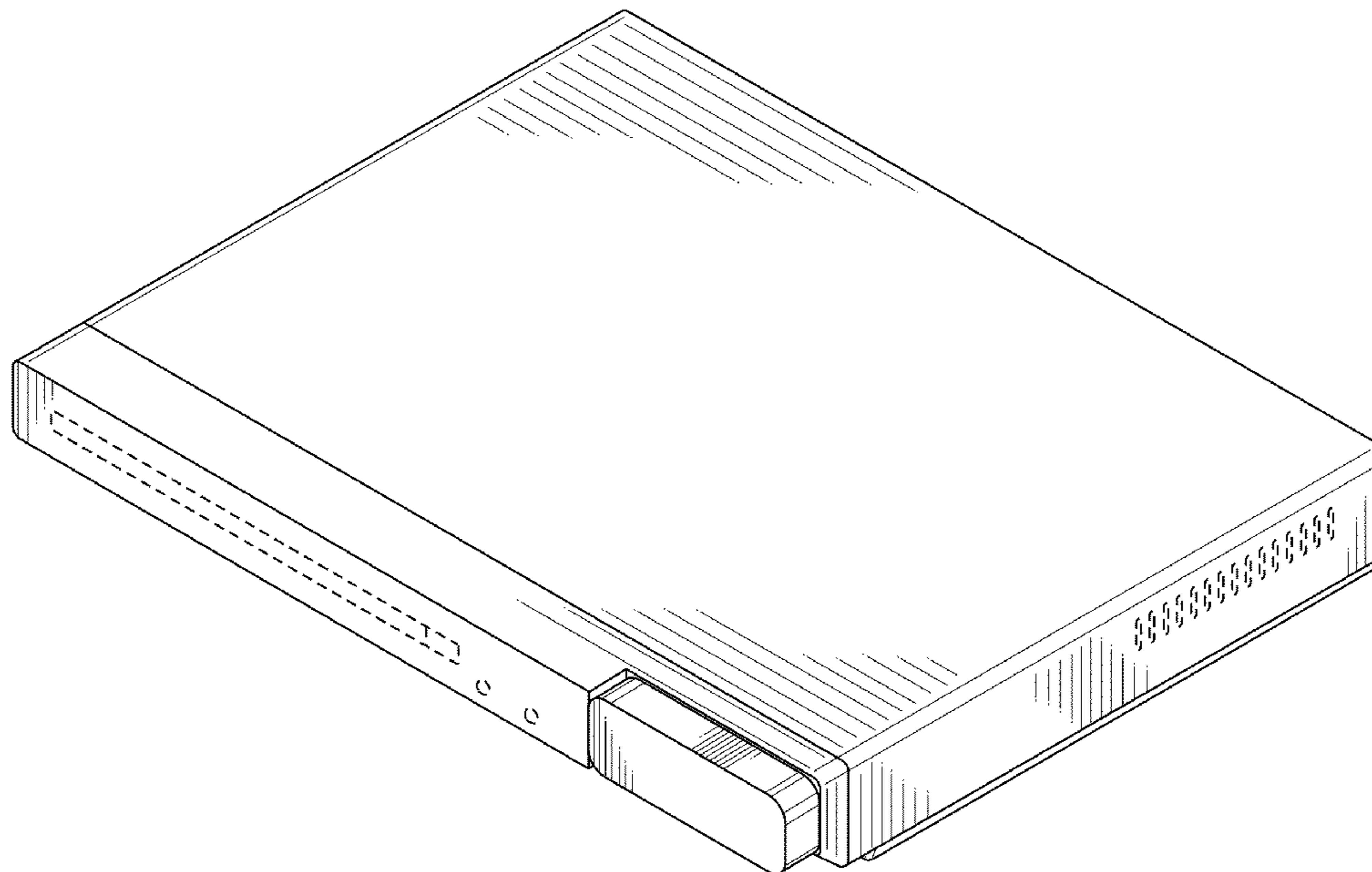
FIG. 1 is a front, top, and right side perspective view of a disc media player with front mounted media stick showing our new design, shown in mounted condition;
FIG. 2 is a front, top, and right side perspective view thereof; shown with media stick dismounted;
FIG. 3 is a front elevation view thereof, shown in mounted condition;
FIG. 4 is a rear elevation view thereof;
FIG. 5 is a left elevation view thereof;
FIG. 6 is a right elevation view thereof;
FIG. 7 is a top plan view thereof; and,
FIG. 8 is a bottom plan view thereof.
The simple dashed broken line portions of FIGS. 1-8 are included to show unclaimed subject matter only and form no part of the claimed design.
The special dot-dash broken line portion of FIG. 2 is included to show relationship of media stick to disc media player only and forms no part of the claimed design.

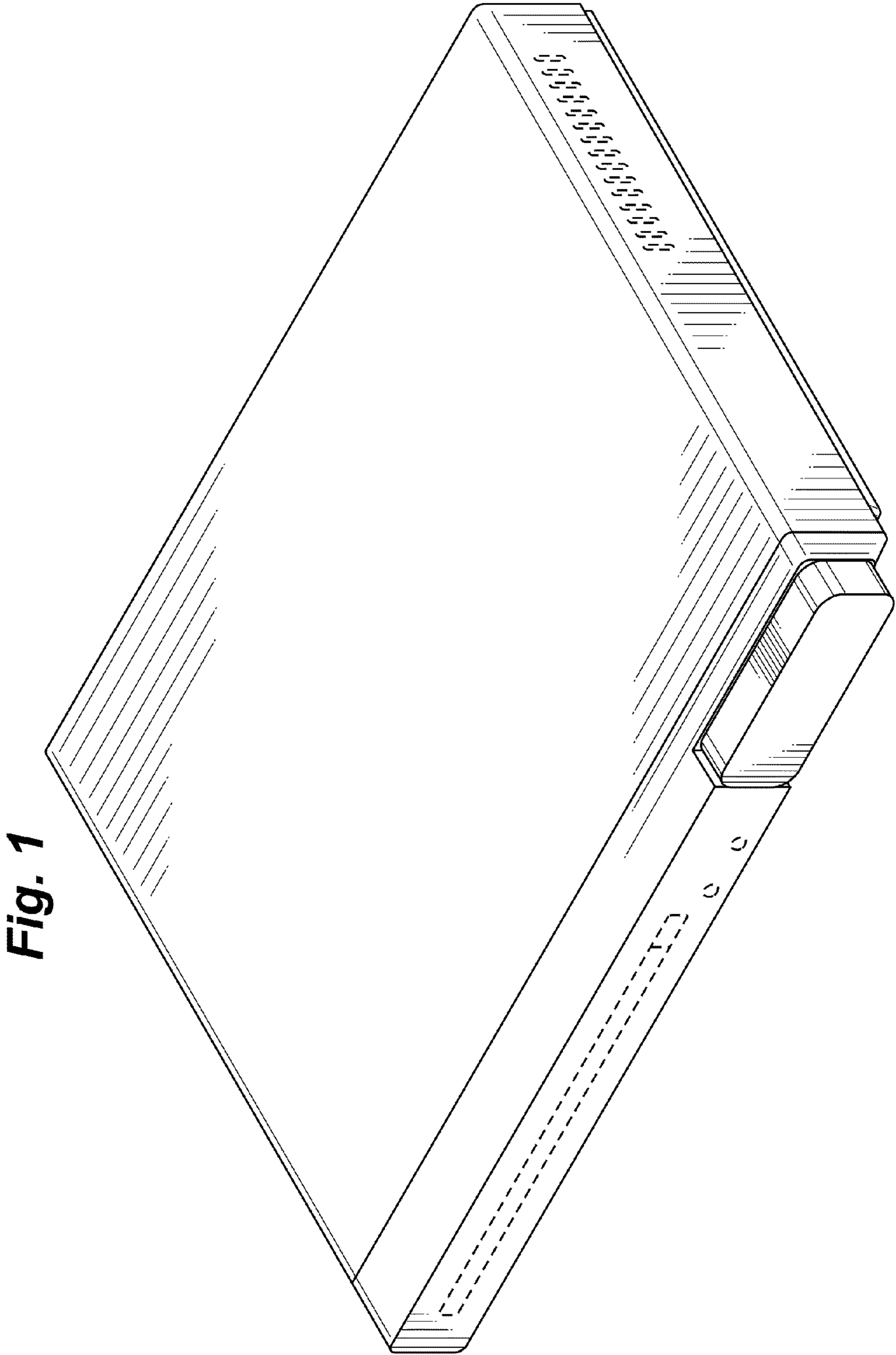
(56) **References Cited**

U.S. PATENT DOCUMENTS

D390,220 S * 2/1998 Matsuoka D14/502
D548,764 S * 8/2007 Ogino et al. D16/230

1 Claim, 4 Drawing Sheets





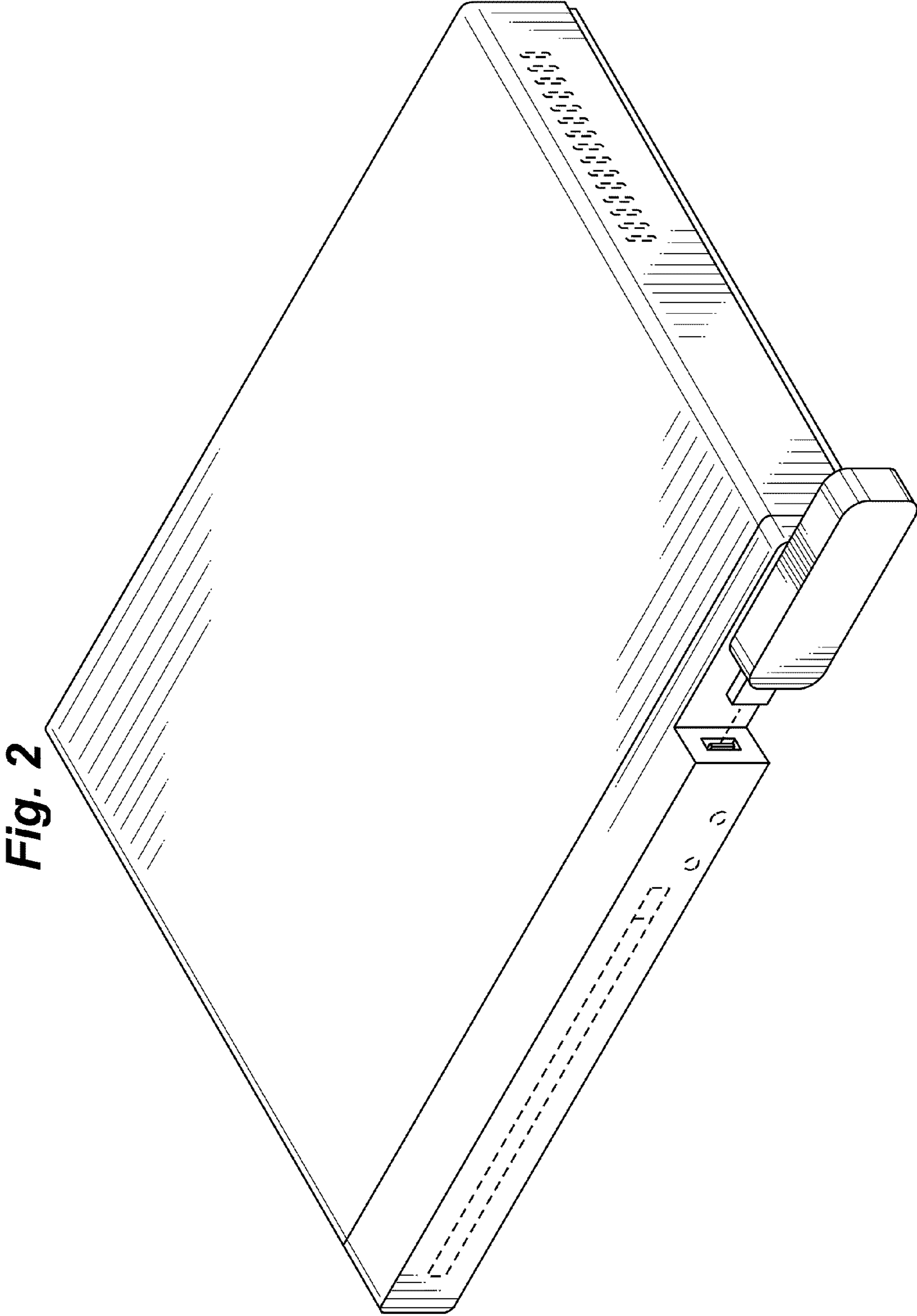


Fig. 3

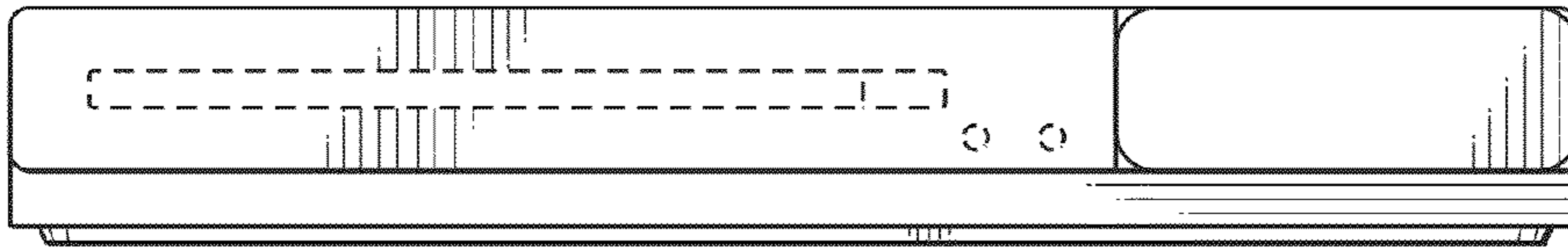


Fig. 4

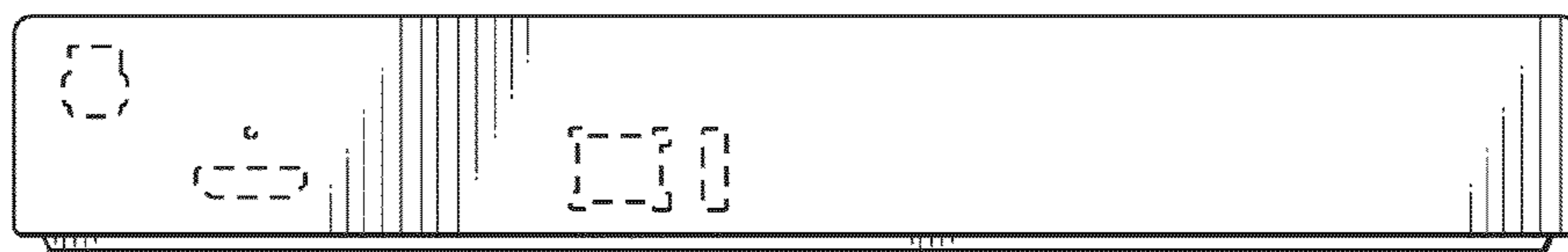


Fig. 5

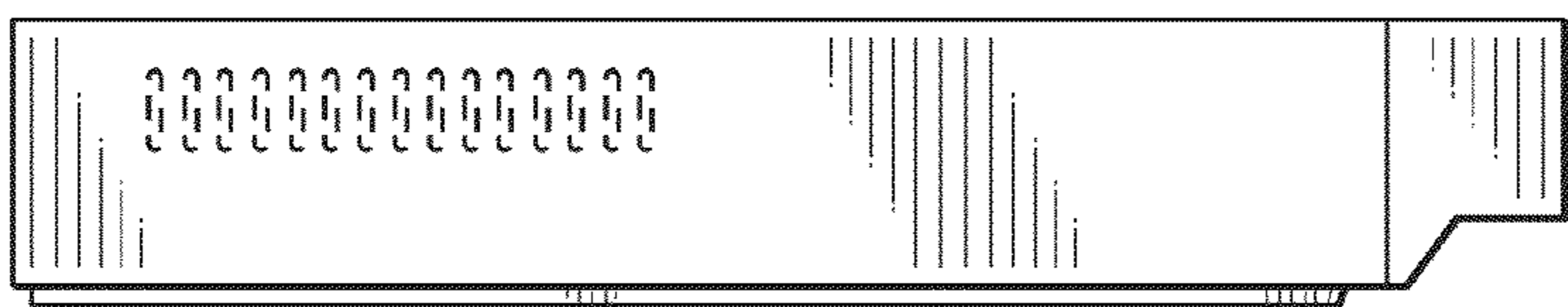


Fig. 6

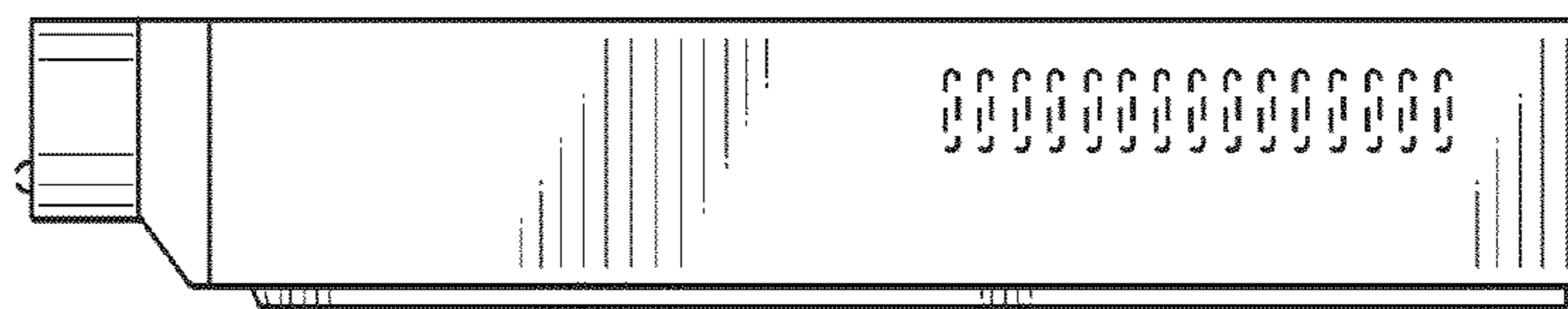


Fig. 7

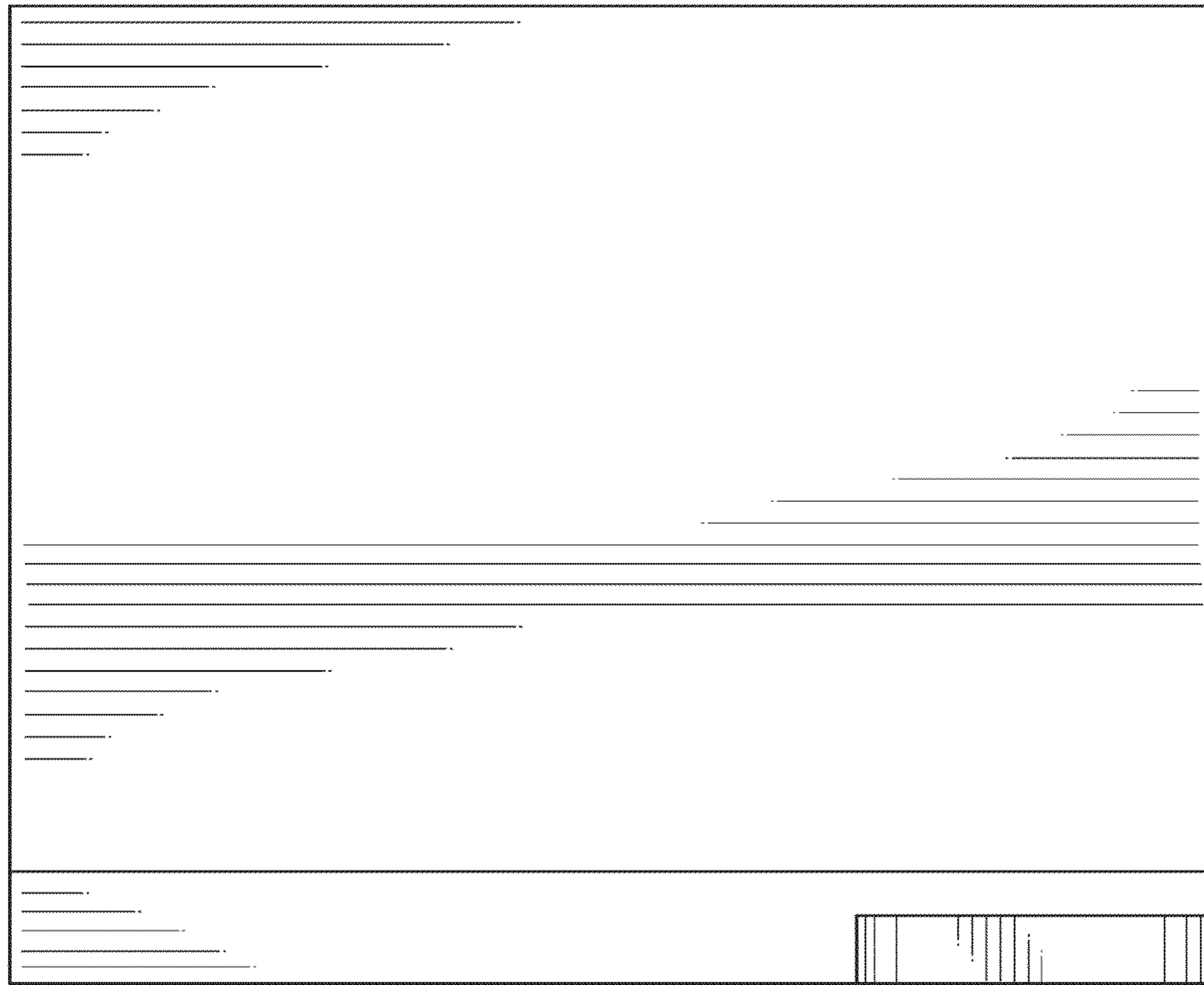


Fig. 8

