



US00D705240S

(12) **United States Design Patent**
Edwards et al.

(10) **Patent No.:** **US D705,240 S**
(45) **Date of Patent:** **** May 20, 2014**

(54) **DISPLAY SCREEN WITH ANIMATED GRAPHICAL USER INTERFACE**

(75) Inventors: **Christopher D. Edwards**, Seattle, WA (US); **Jason F. Morrill**, Seattle, WA (US); **Mark E. Pearson**, Renton, WA (US)

(73) Assignee: **Microsoft Corporation**, Redmond, WA (US)

(**) Term: **14 Years**

(21) Appl. No.: **29/424,916**

(22) Filed: **Jun. 18, 2012**

(51) **LOC (10) Cl.** **14-04**

(52) **U.S. Cl.**
USPC **D14/485**

(58) **Field of Classification Search**
USPC D14/485-495; 715/715, 727, 728, 763, 715/779, 810, 825, 835, 836, 837, 838, 839, 715/840, 845, 846, 847, 864, 962, 976, 977
See application file for complete search history.

(56) **References Cited**

U.S. PATENT DOCUMENTS

D605,657 S	*	12/2009	Danton	D14/487
D656,952 S	*	4/2012	Weir et al.	D14/488
D681,656 S	*	5/2013	Lawrence et al.	D14/486
D687,457 S	*	8/2013	Edwards et al.	D14/486
D693,829 S	*	11/2013	Edwards et al.	D14/485
D693,830 S	*	11/2013	Edwards et al.	D14/485
D693,832 S	*	11/2013	Edwards et al.	D14/485

D694,763 S	*	12/2013	Edwards et al.	D14/485
D694,769 S	*	12/2013	Edwards et al.	D14/485
D694,770 S	*	12/2013	Edwards et al.	D14/485
D695,753 S	*	12/2013	Edwards et al.	D14/485
2009/0319948 A1	*	12/2009	Stannard et al.	715/810

* cited by examiner

Primary Examiner — Angela J Lee

(74) *Attorney, Agent, or Firm* — Banner & Witcoff, Ltd.

(57) **CLAIM**

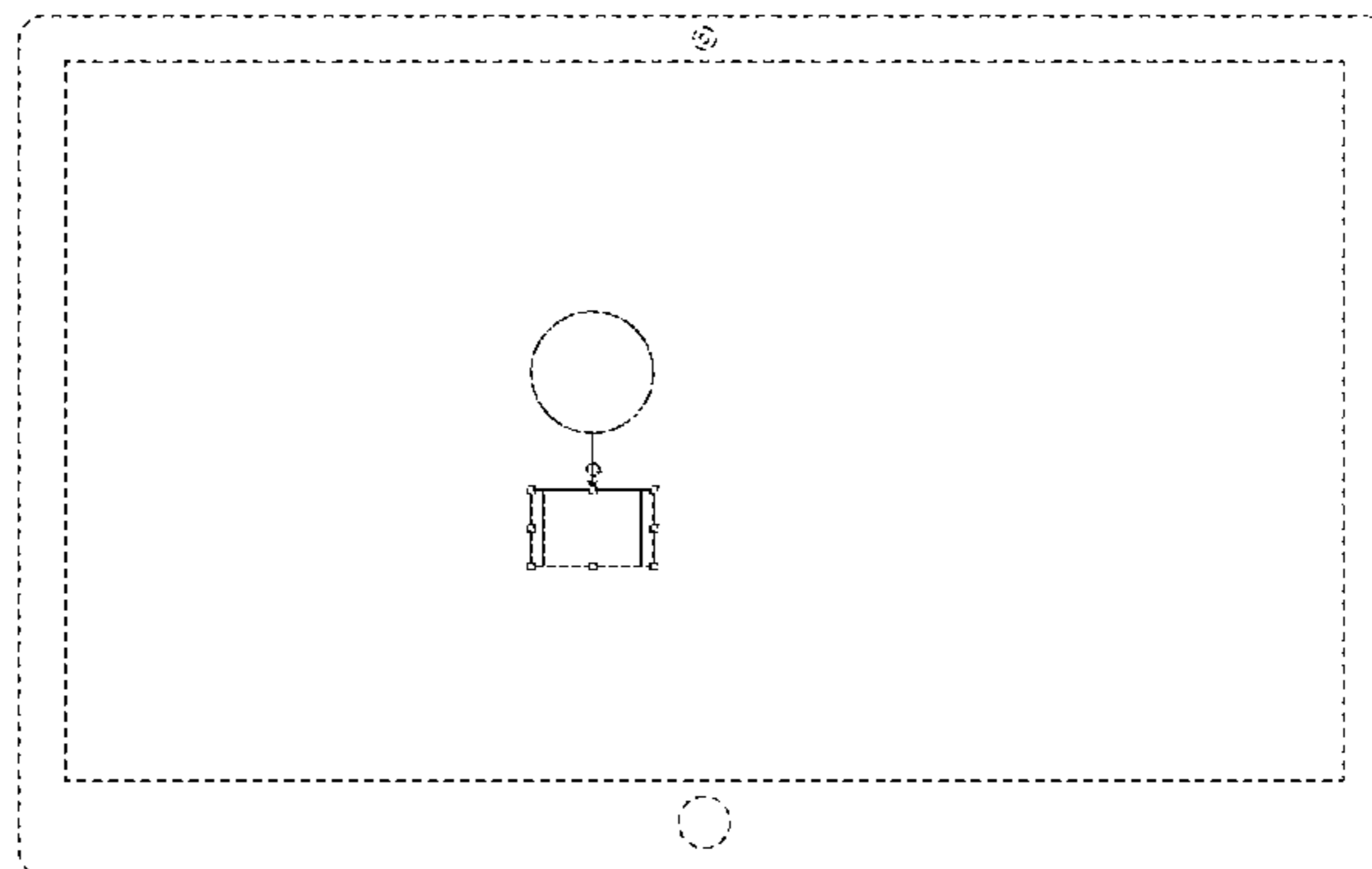
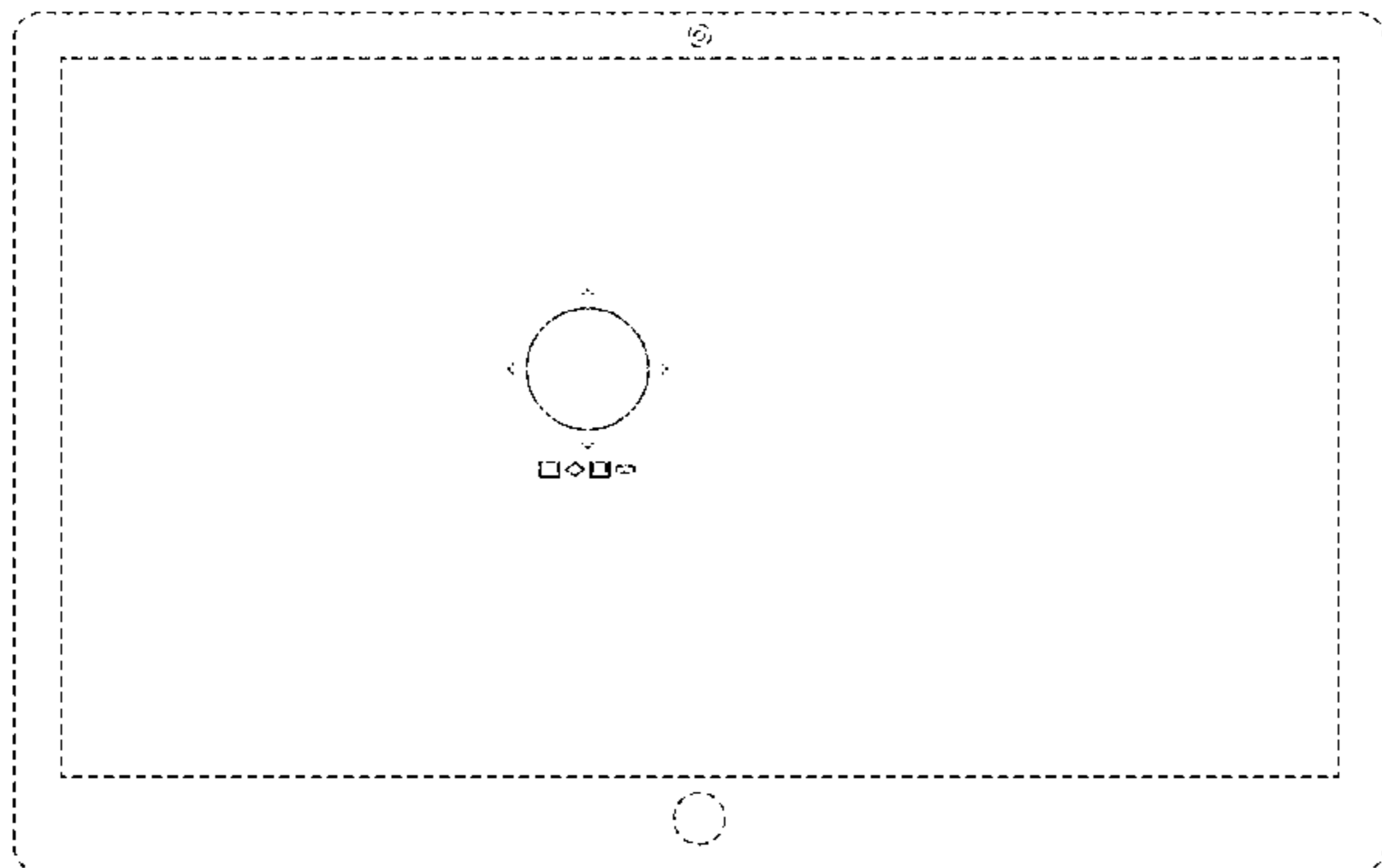
The ornamental design for a display screen with animated graphical user interface, as shown and described.

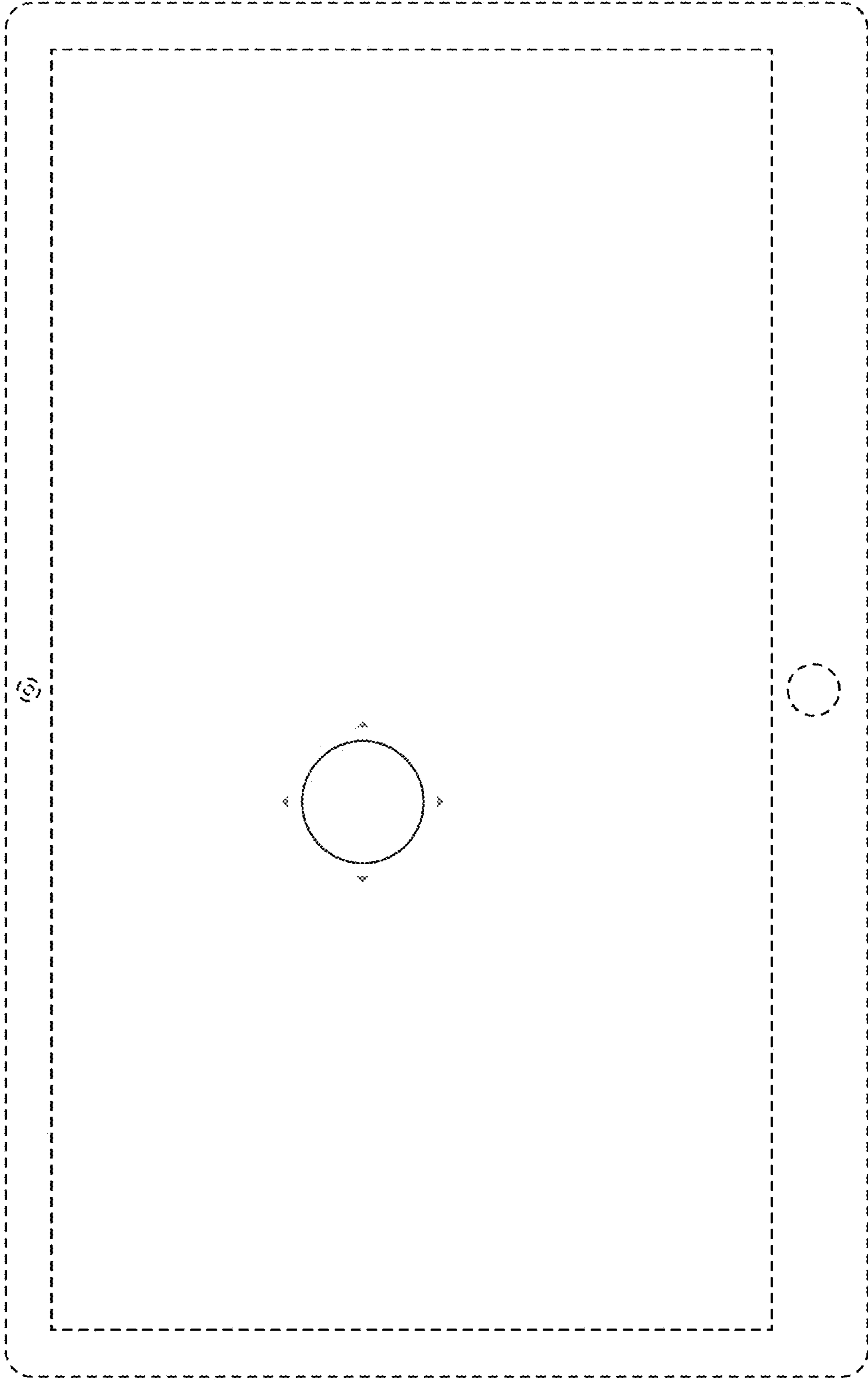
DESCRIPTION

FIG. 1 is the first image in a sequence for a display screen with animated graphical user interface showing our new design; FIG. 2 is the second image thereof; FIG. 3 is the third image thereof; FIG. 4 is the fourth image thereof; FIG. 5 is the fifth image thereof; and, FIG. 6 is the sixth image thereof.

The appearance of the animated user interface sequentially transitions between the images shown in FIGS. 1-6. The process or period in which one image transitions to another forms no part of the claimed design. The broken line showing of the remainder of the user interface and display screen is for environmental purposes only and forms no part of the claimed design.

1 Claim, 6 Drawing Sheets





(a)

FIG. 1

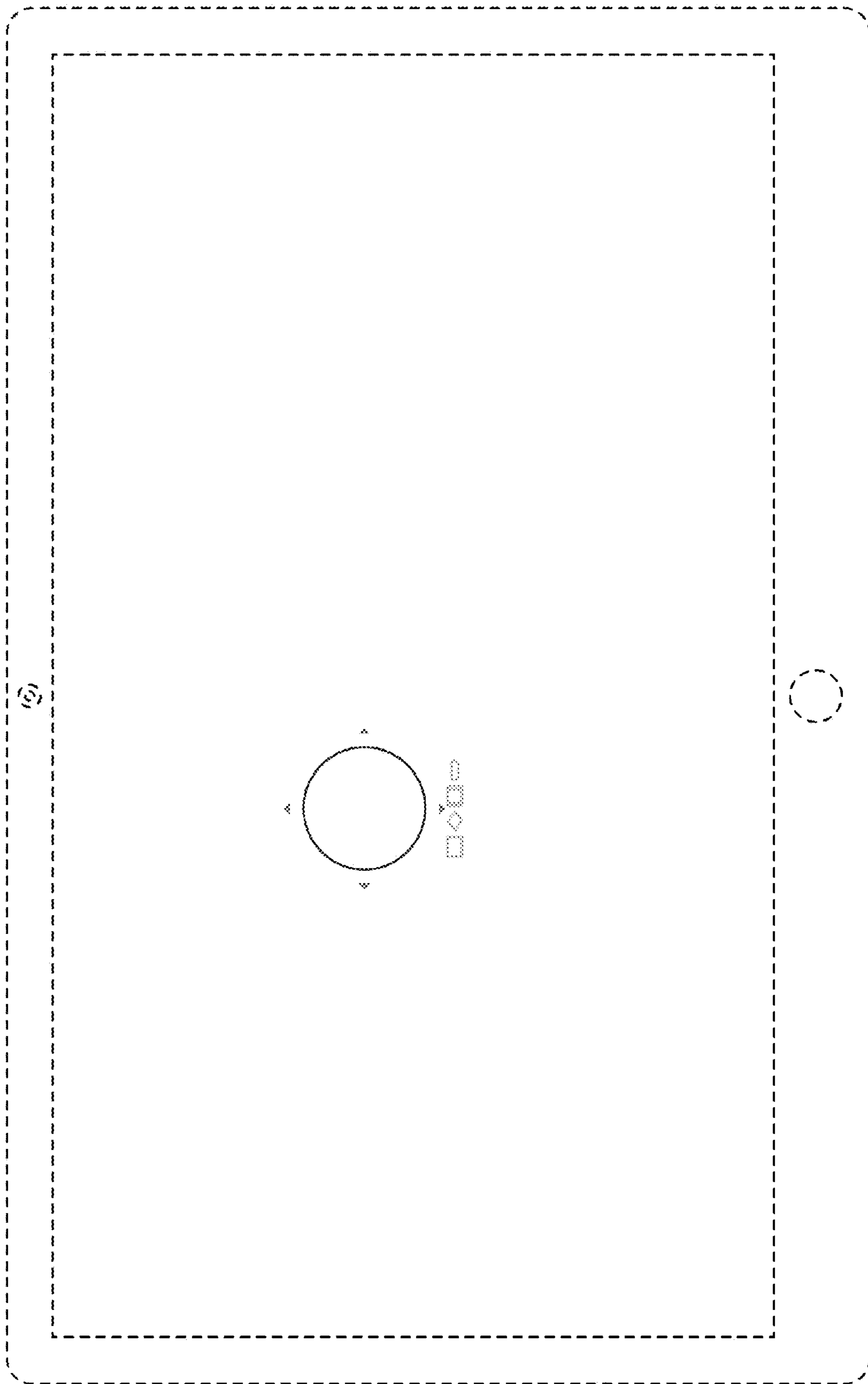


FIG. 2

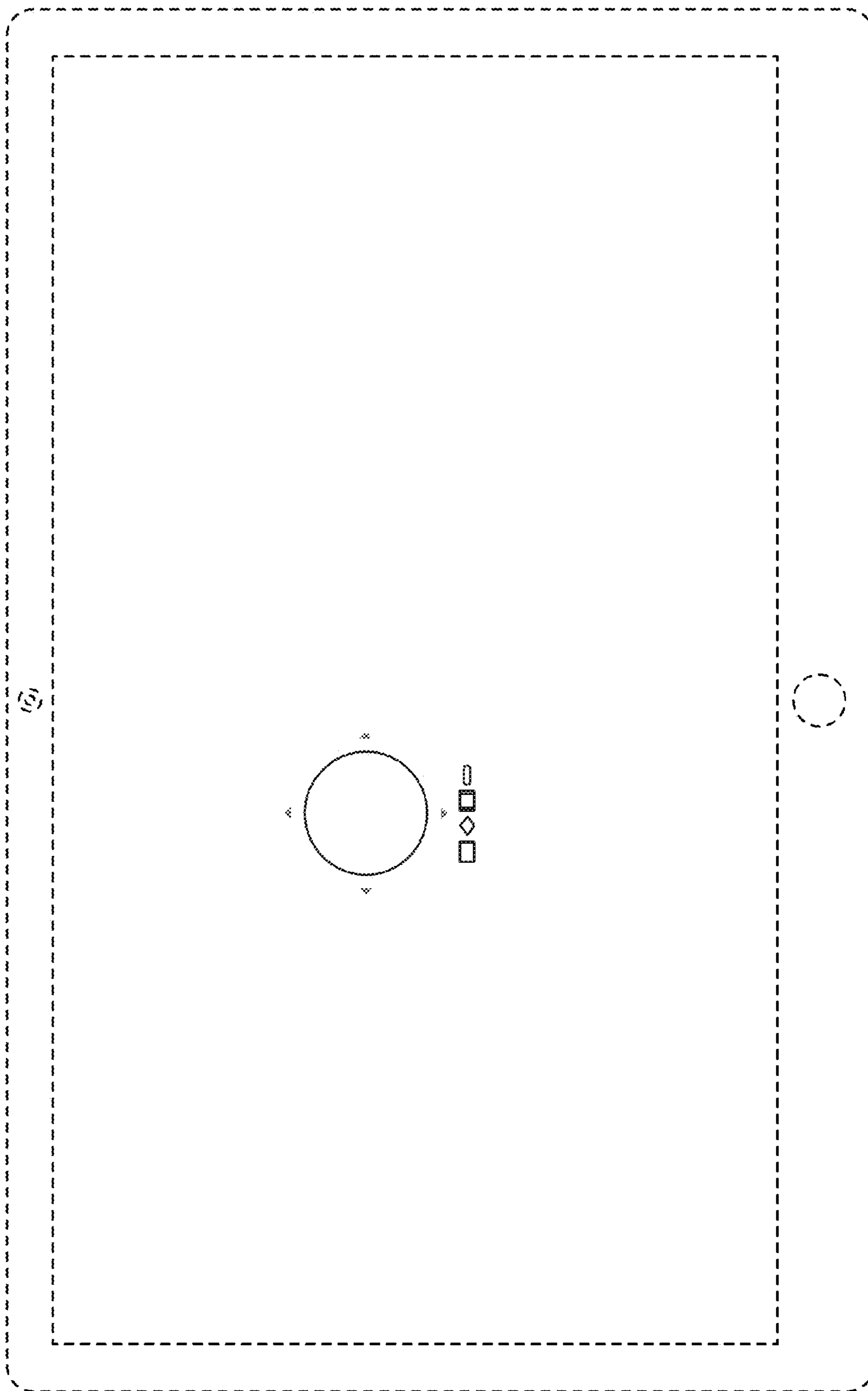
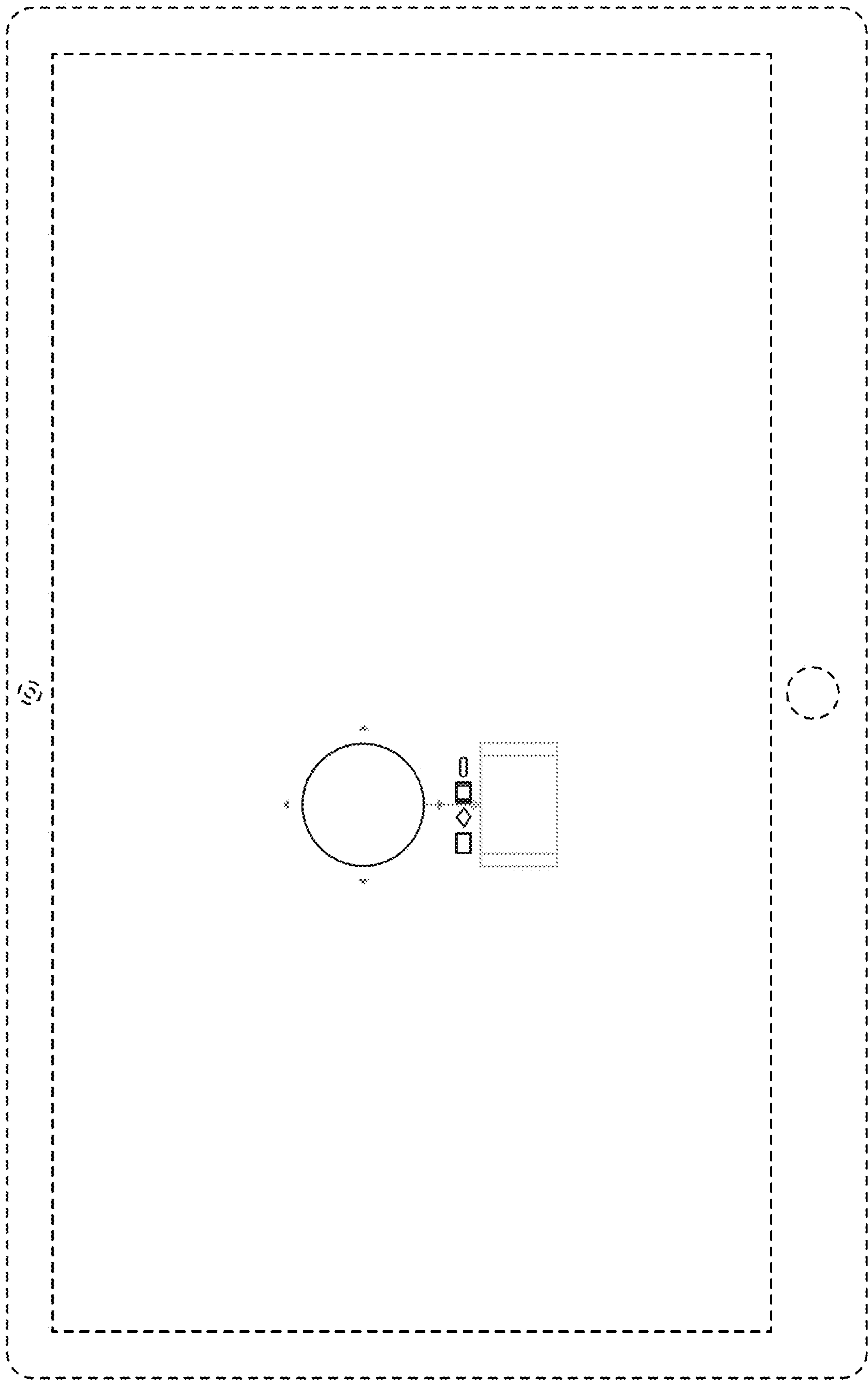
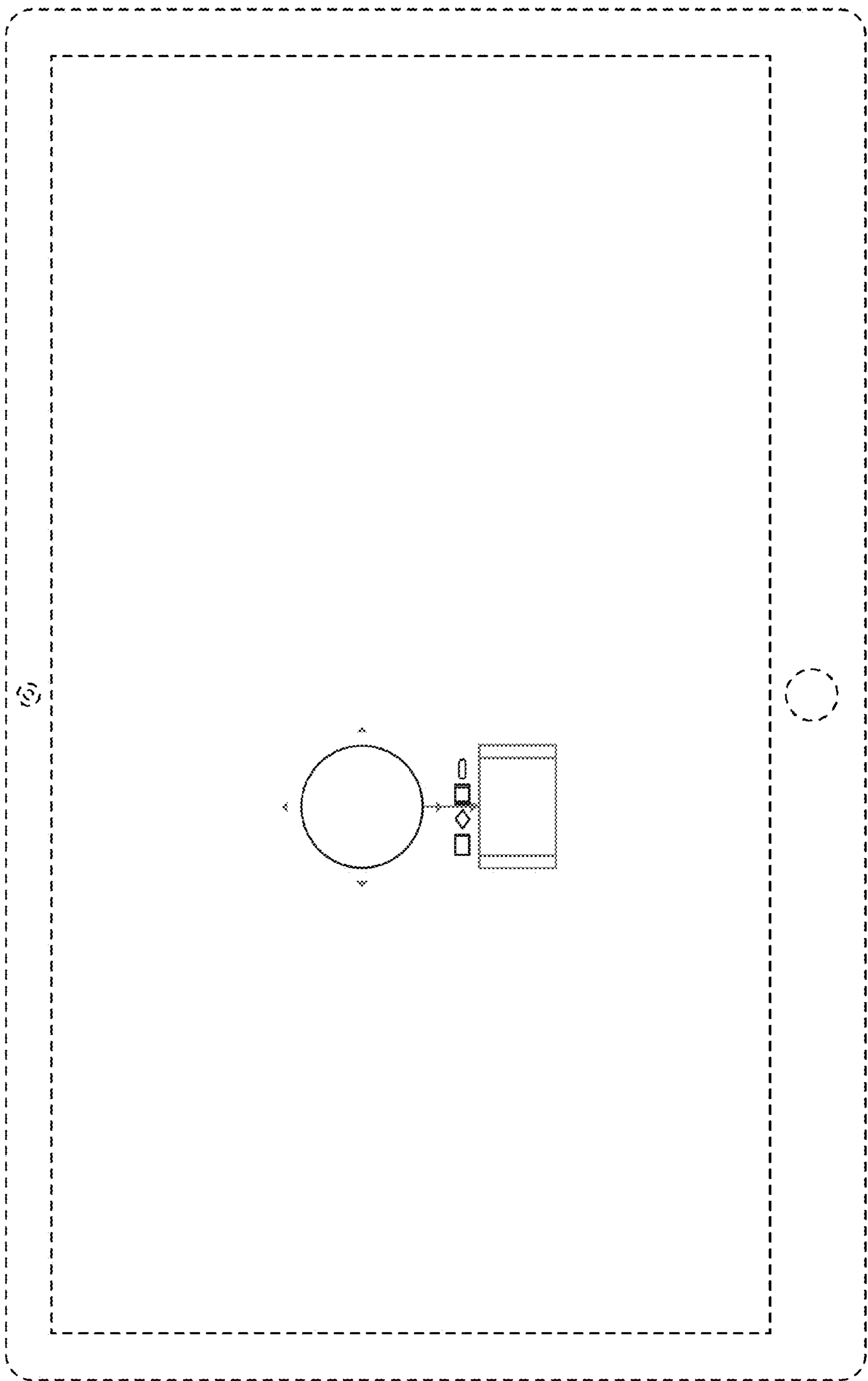


FIG. 3



(2)

FIG. 4



(c)

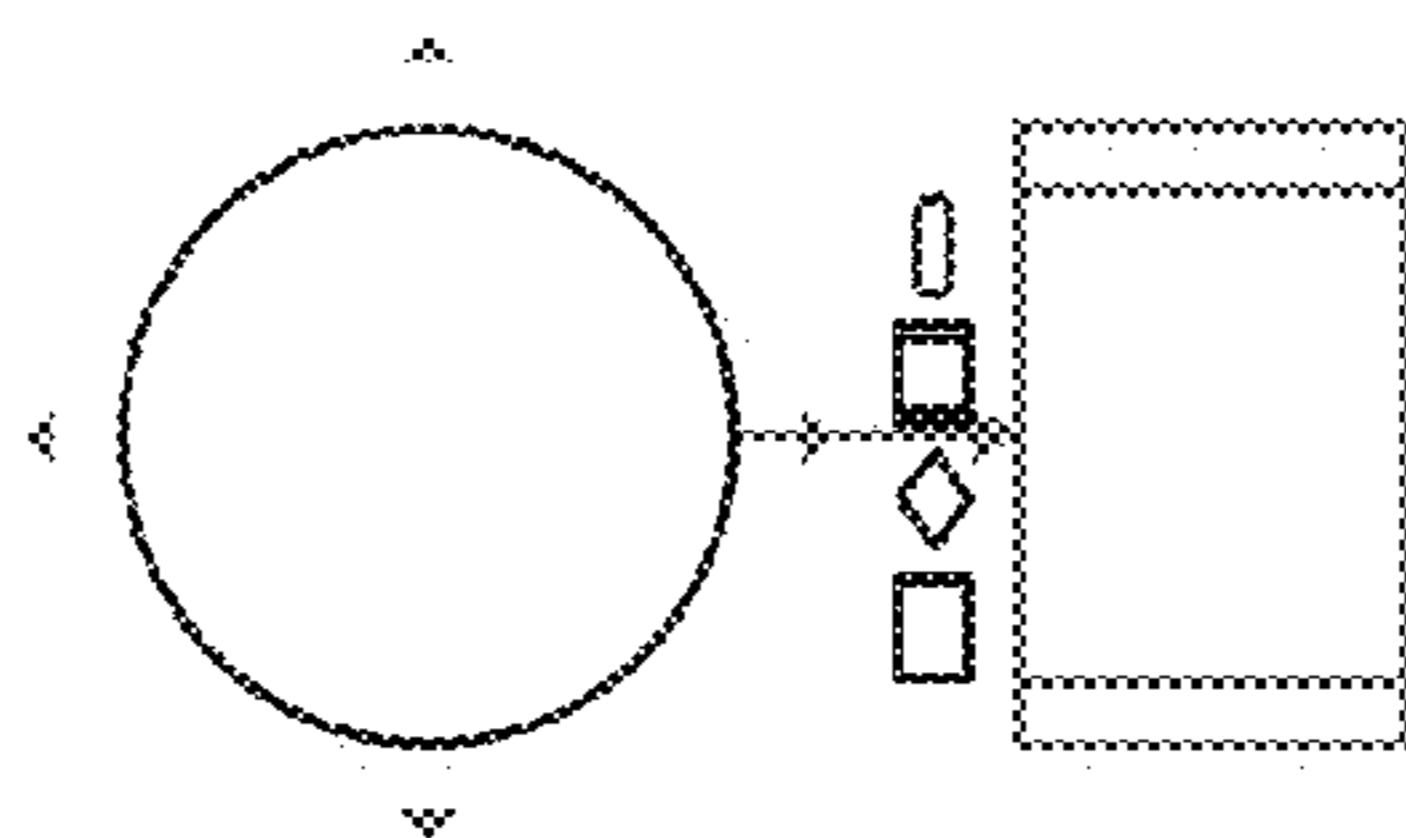


FIG. 5

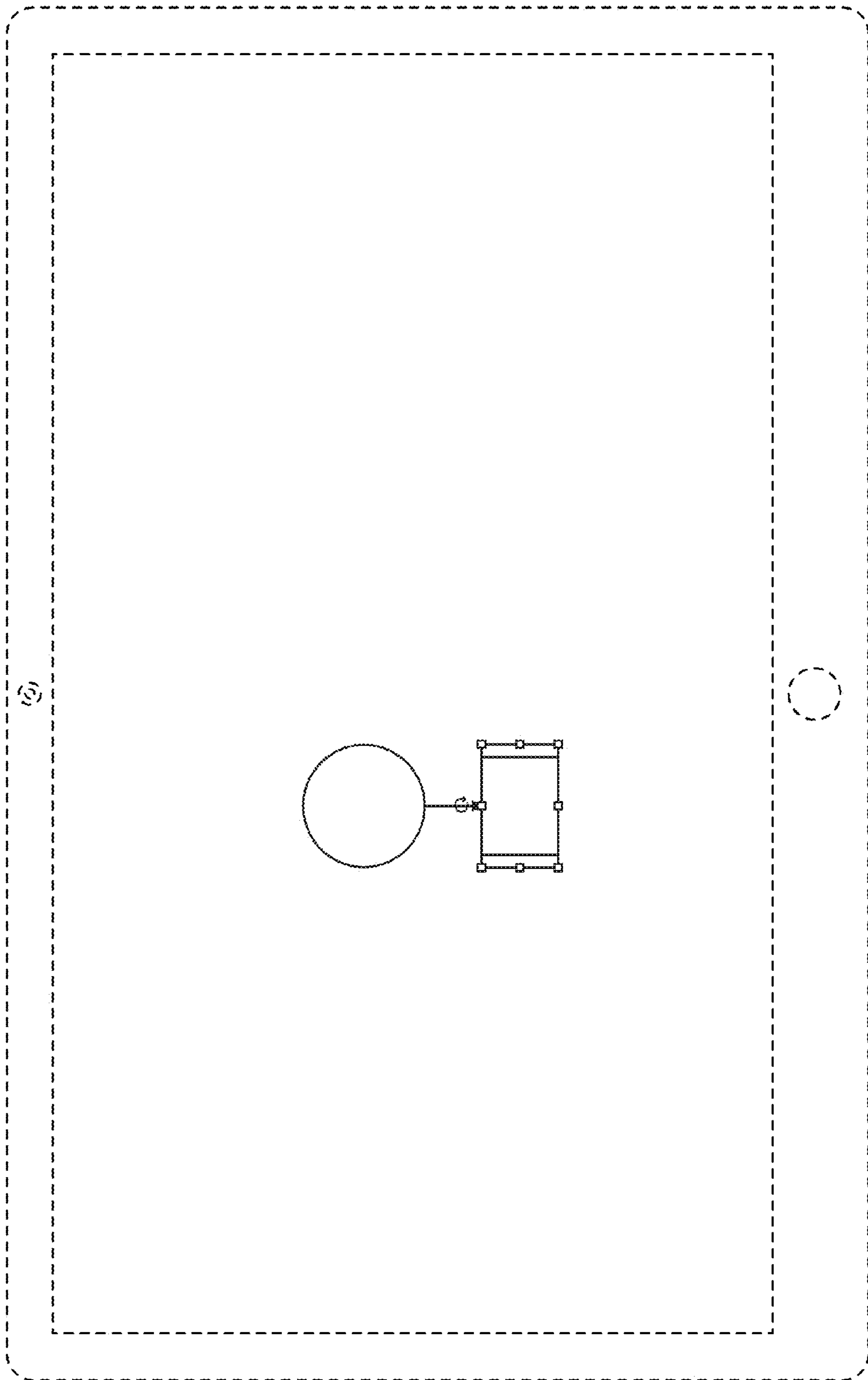


FIG. 6