



US00D705235S

(12) **United States Design Patent**
Slemp

(10) **Patent No.:** **US D705,235 S**

(45) **Date of Patent:** **** May 20, 2014**

(54) **USB STICK**

7,473,112 B2 * 1/2009 Zhu et al. 439/142
D594,871 S * 6/2009 Ma D14/480.6
D610,157 S * 2/2010 Ma D14/480.6
7,713,074 B2 * 5/2010 Poo et al. 439/136

(71) Applicant: **Klio-Eterna Schreibgerate GmbH & Co. KG**, Wolfach (DE)

(Continued)

(72) Inventor: **Alexander Slemp**, Zell a.H. (DE)

OTHER PUBLICATIONS

(73) Assignee: **Klio-Eterna Schreibgerate GmbH & Co. KG**, Wolfach (DE)

A-Data Technology, C903 USB Flash Drive [online], [retrieved on May 25, 2010]. Retrieved from the Internet <URL: http://www.adata.com.tw/en/product_show.php?ProductNo=AC93ZZZ>.*

(**) Term: **14 Years**

alibaba.com, [online], [retrieved on Nov. 16, 2011]. Retrieved from the Internet <URL: http://img.alibaba.com/photo/11493648/USB_Flash_Drive.jpg>.*

(21) Appl. No.: **29/439,079**

(Continued)

(22) Filed: **Dec. 6, 2012**

Primary Examiner — Karen E Kearney

(30) **Foreign Application Priority Data**

(74) *Attorney, Agent, or Firm* — Volpe and Koenig, P.C.

Jun. 6, 2012 (WO) 673464001

(51) **LOC (10) Cl.** **14-02**

(52) **U.S. Cl.**

USPC **D14/480.6**

(58) **Field of Classification Search**

USPC D14/411, 433, 435.1, 436, 480.1–480.7,
D14/484.1, 137, 155, 203.1–203.8, 240;
D13/133, 154; 710/300, 301; 439/131,
439/135–147; 361/679.31, 679.33, 679.4,
361/752; 711/100, 115

See application file for complete search history.

(56) **References Cited**

U.S. PATENT DOCUMENTS

D486,829 S * 2/2004 Wang et al. D14/480.5
D489,053 S * 4/2004 Nakamura D14/480.5
6,926,544 B2 * 8/2005 Lee 439/147
6,932,629 B2 * 8/2005 Ikenoue 439/138
D520,995 S * 5/2006 Chang D14/480.6
D556,751 S * 12/2007 Rambosek et al. D14/480.6
D580,434 S * 11/2008 Kim D14/480.6
D581,926 S * 12/2008 Kim D14/480.6
D583,816 S * 12/2008 Guccione et al. D14/480.5
7,466,556 B2 * 12/2008 Hiew et al. 361/737

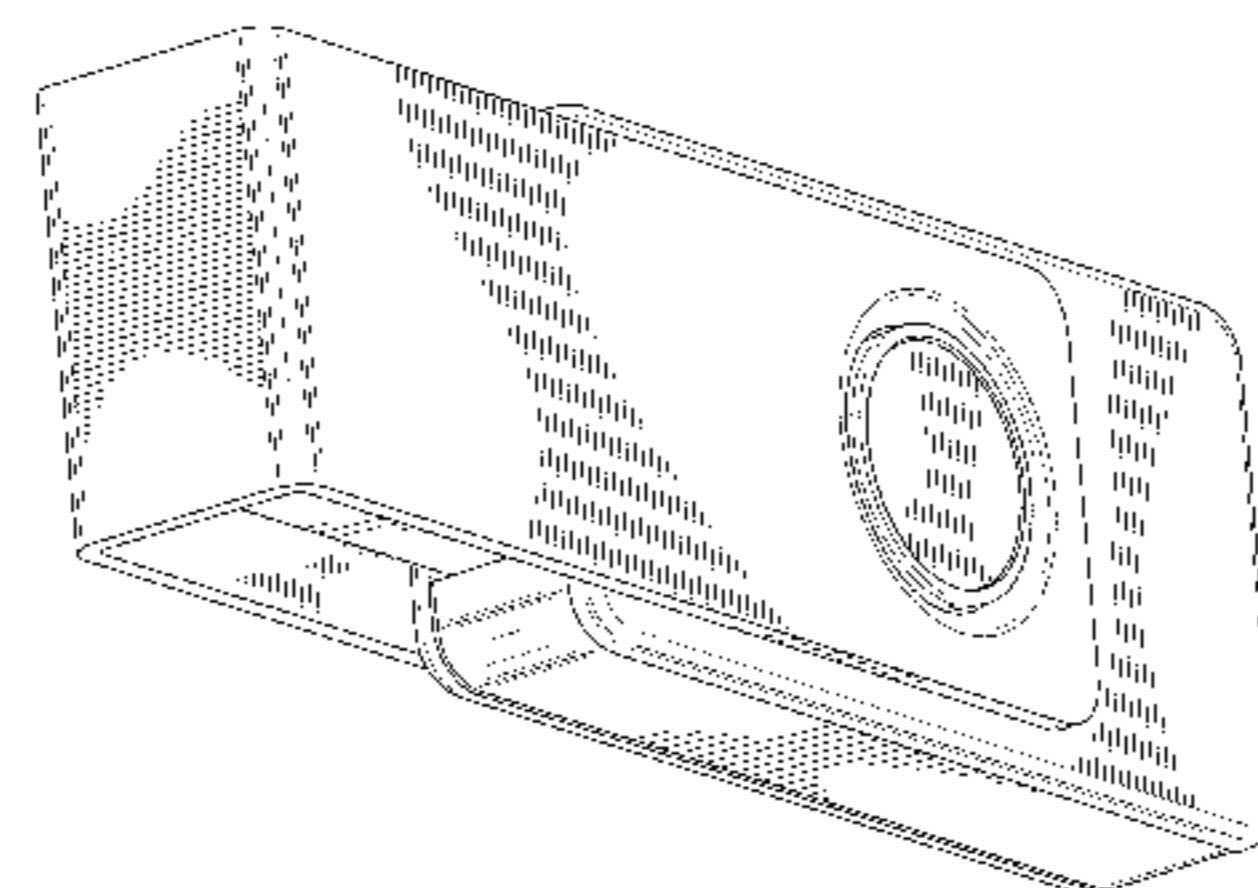
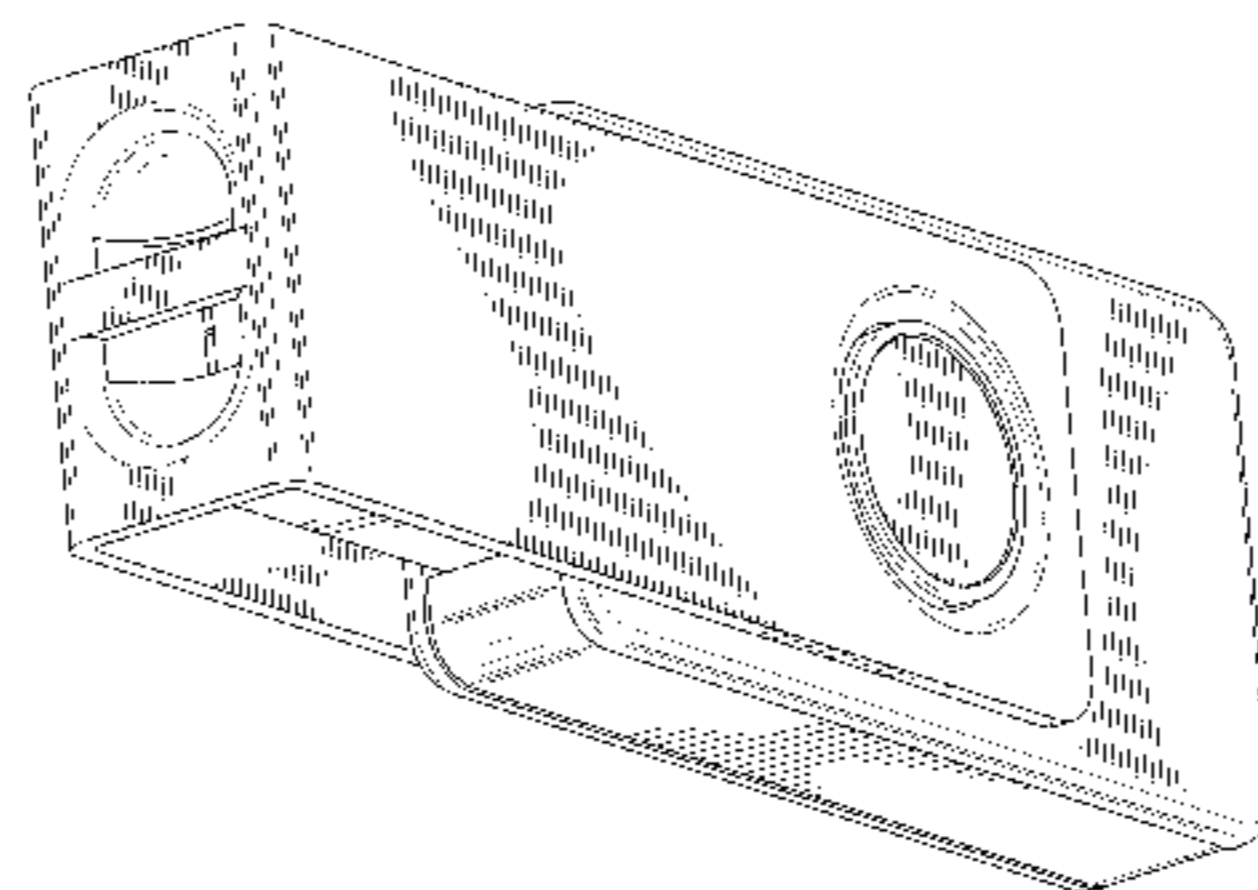
(57) **CLAIM**

The ornamental design for a USB stick, as shown and described.

DESCRIPTION

FIG. 1 is a top, front, right perspective view of a first embodiment of a USB stick in accordance with my design;
FIG. 2 is a front elevational view thereof;
FIG. 3 is a rear elevational view thereof;
FIG. 4 is a left side elevational view thereof;
FIG. 5 is a right side elevational view thereof;
FIG. 6 is a top plan view thereof; and
FIG. 7 is a bottom view thereof;
FIG. 8 is a top, front, right perspective view of the second embodiment of a USB stick in accordance with my design;
FIG. 9 is a front elevational view thereof;
FIG. 10 is a rear elevational view thereof;
FIG. 11 is a left side elevational view thereof;
FIG. 12 is a right side elevational view thereof;
FIG. 13 is a top plan view thereof; and,
FIG. 14 is a bottom view thereof.

1 Claim, 14 Drawing Sheets



(56)

References Cited

U.S. PATENT DOCUMENTS

D620,015	S	*	7/2010	Nan et al.	D14/480.6
D620,016	S	*	7/2010	Lo	D14/480.6
D622,278	S	*	8/2010	Ma	D14/480.6
D622,279	S	*	8/2010	Ma	D14/480.6
D623,192	S	*	9/2010	Peng	D14/480.6
D652,046	S	*	1/2012	Belan	D14/480.6
D653,670	S	*	2/2012	Lee et al.	D14/480.6
2011/0237099	A1	*	9/2011	Ni et al.	439/142

OTHER PUBLICATIONS

RMUSB Flash Drives | Super Talent Technology, [online], [retrieved on Aug. 6, 2012]. Retrieved from the Internet <URL: http://www.supertalent.com/products/stt_usb_detail.php?type=RM>.*
The Definitive Flash Drive Collection : Plastic, Web Archive [online] Oct. 28, 2005 [retrieved on Jul. 6, 2007]. Retrieved from the Internet <URL: <http://web.archive.org/web/20051028160915/http://www.thedefinitiveflashdrivecollection.com/plastic-heart.html>>.*

* cited by examiner

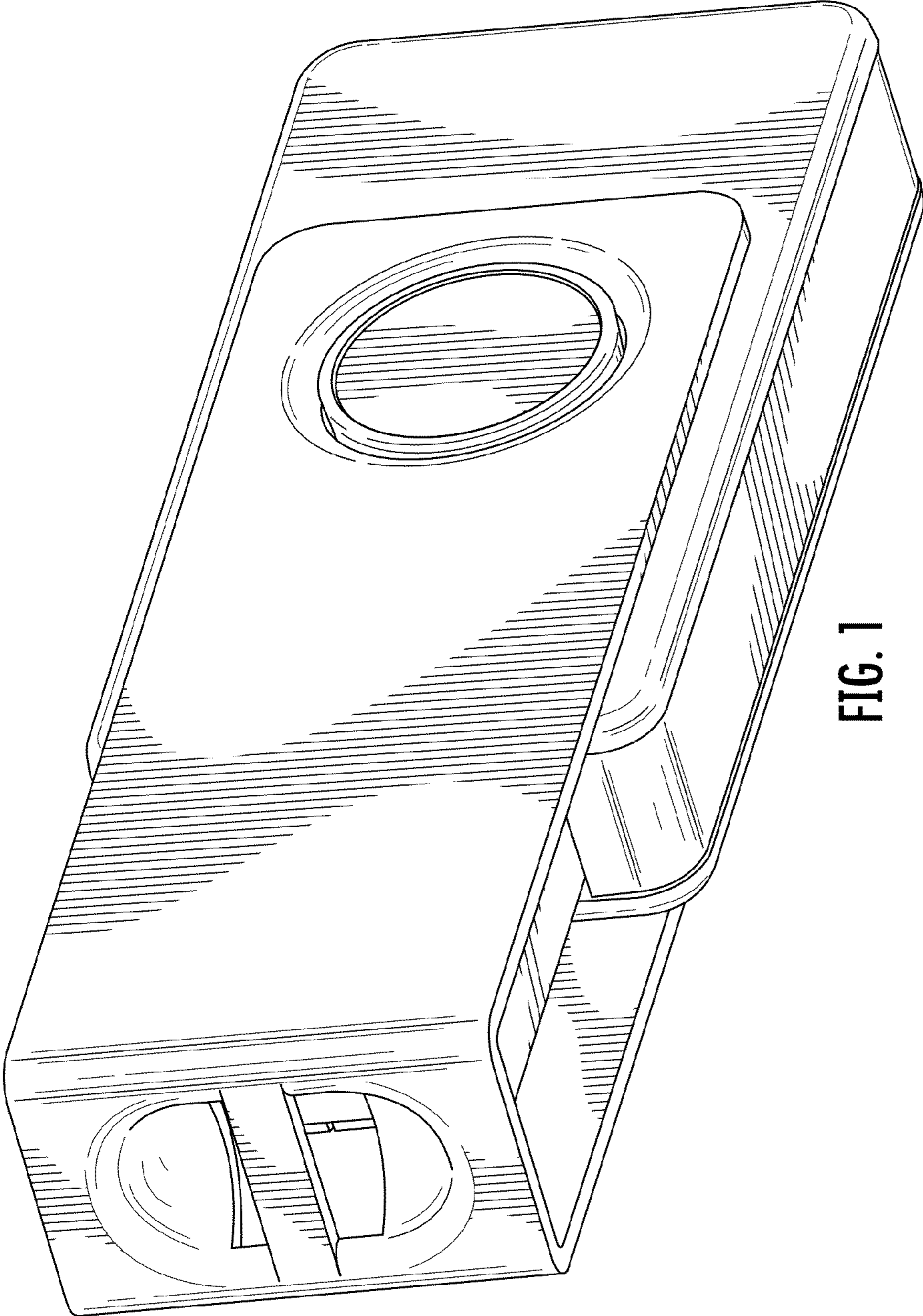


FIG. 1

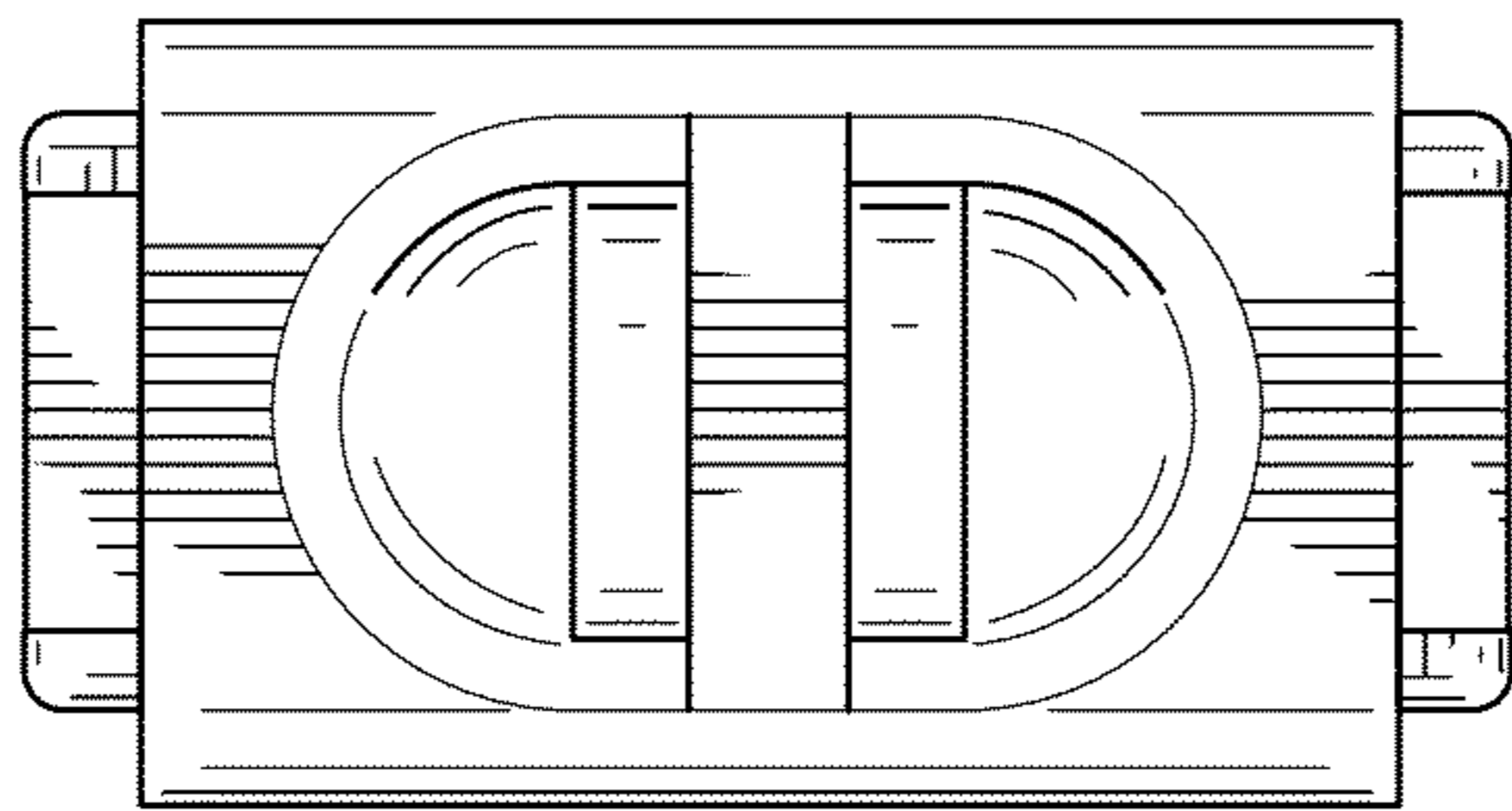


FIG. 2

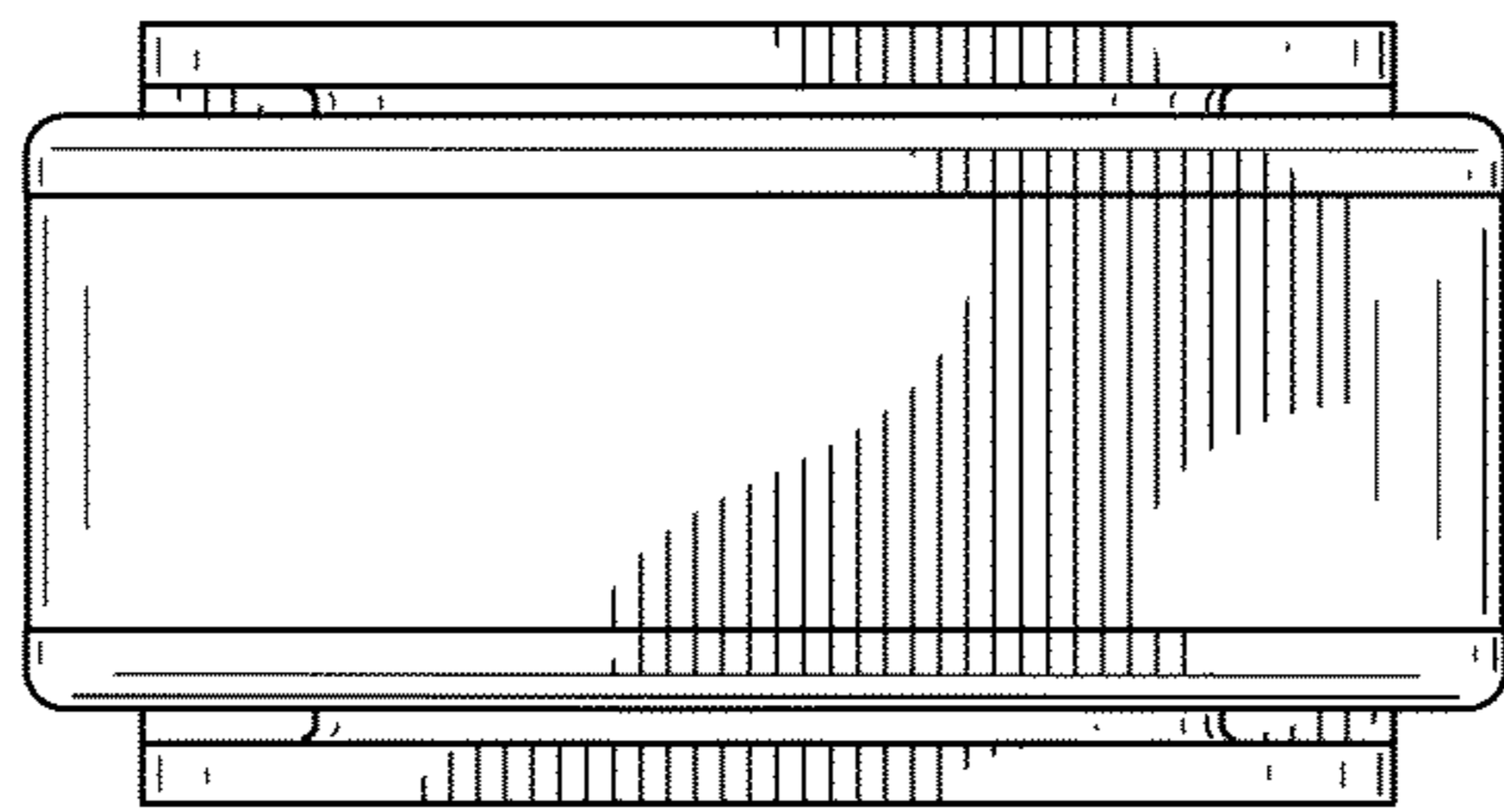


FIG. 3

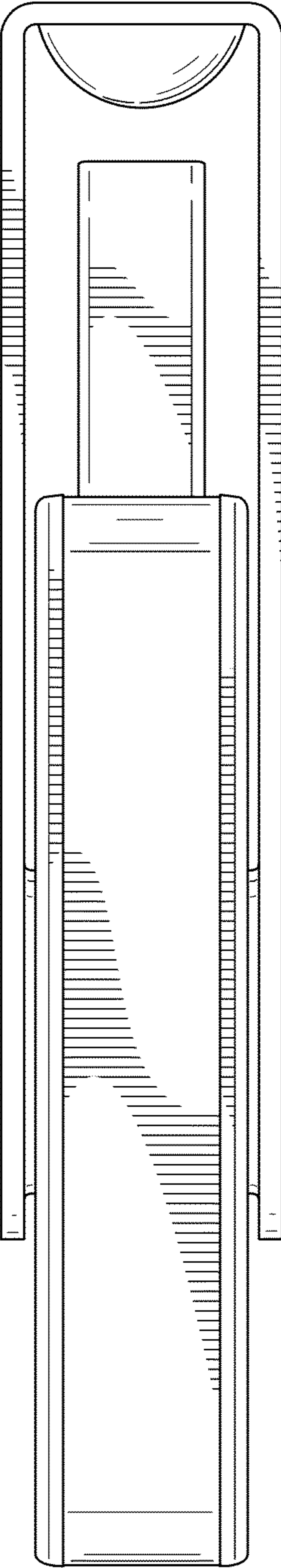


FIG. 4

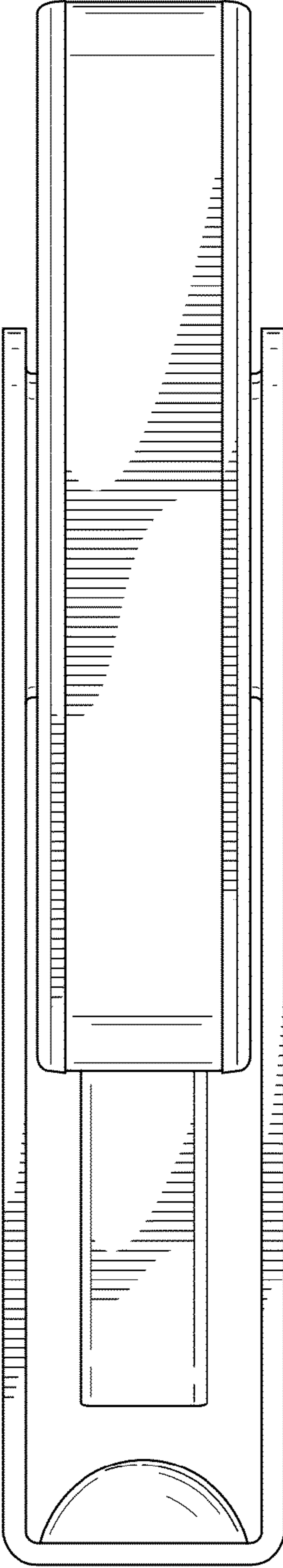


FIG. 5

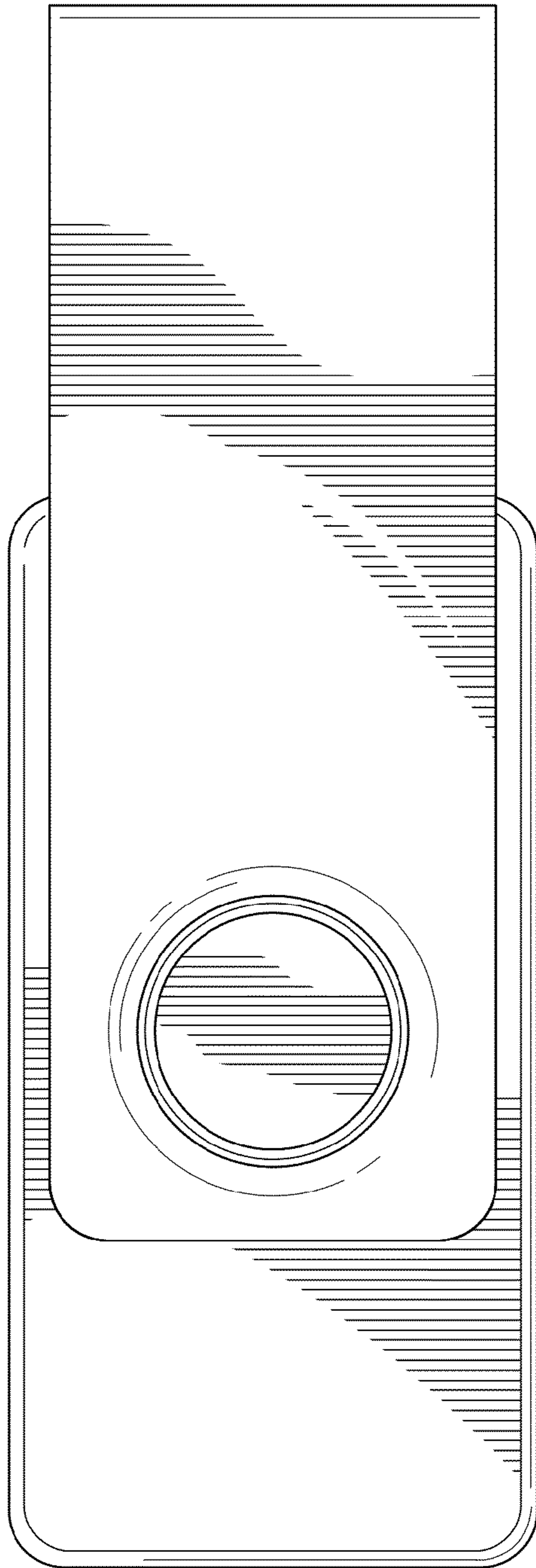


FIG. 6

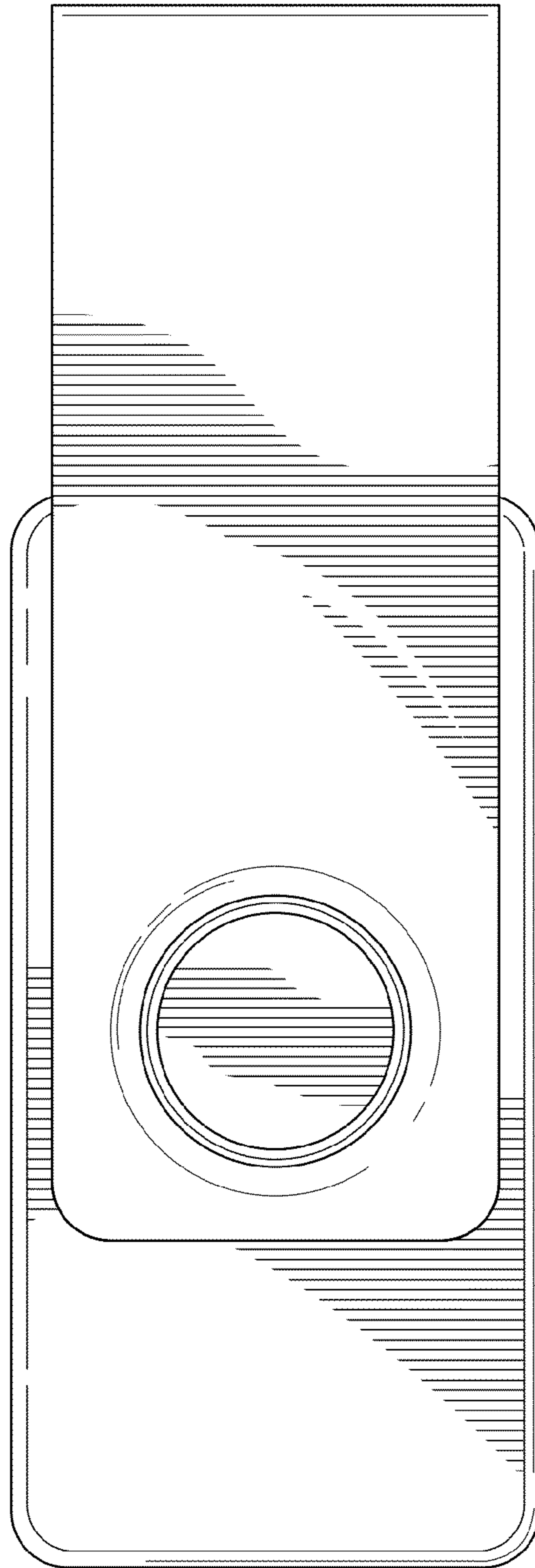


FIG. 7

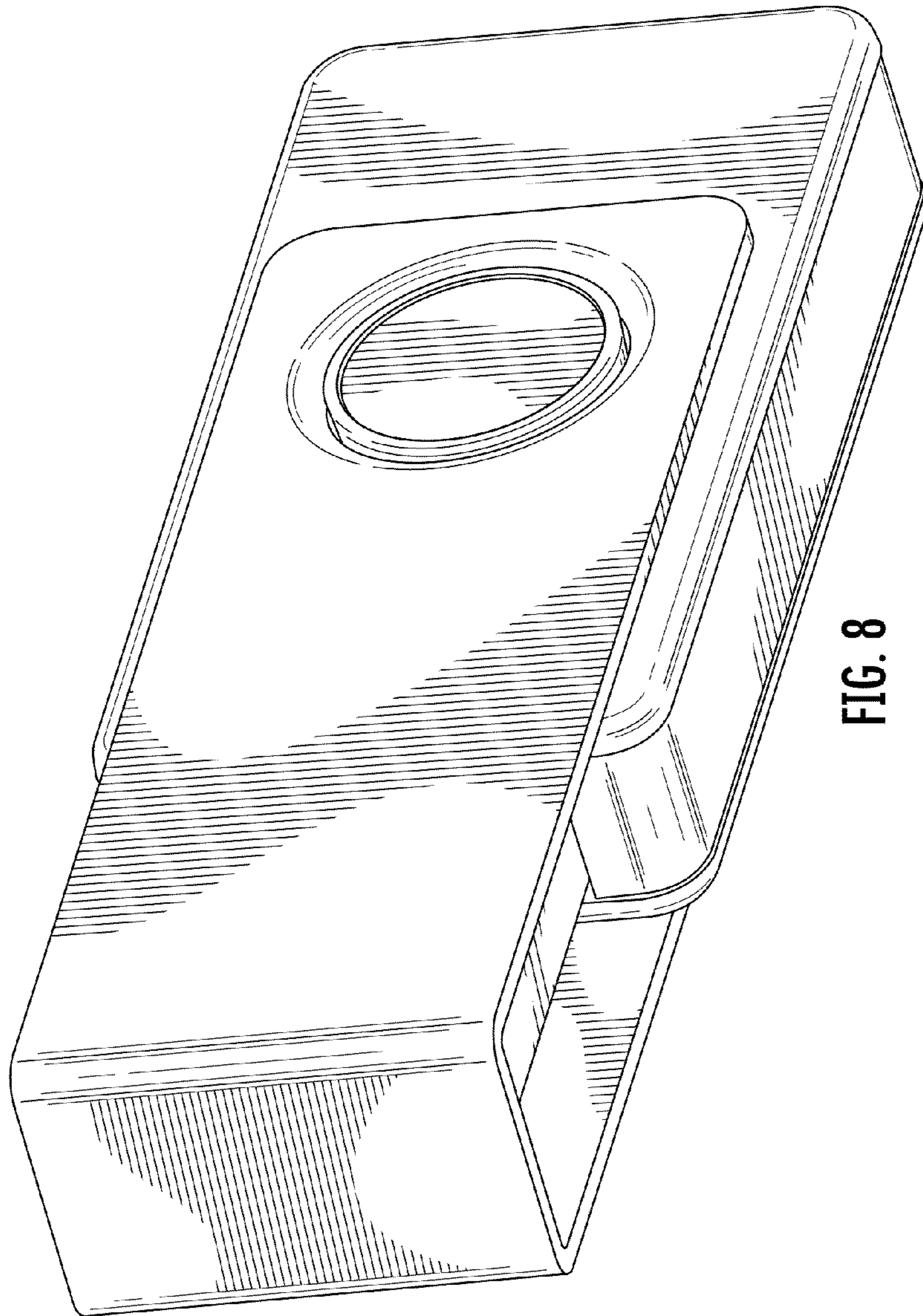


FIG. 8

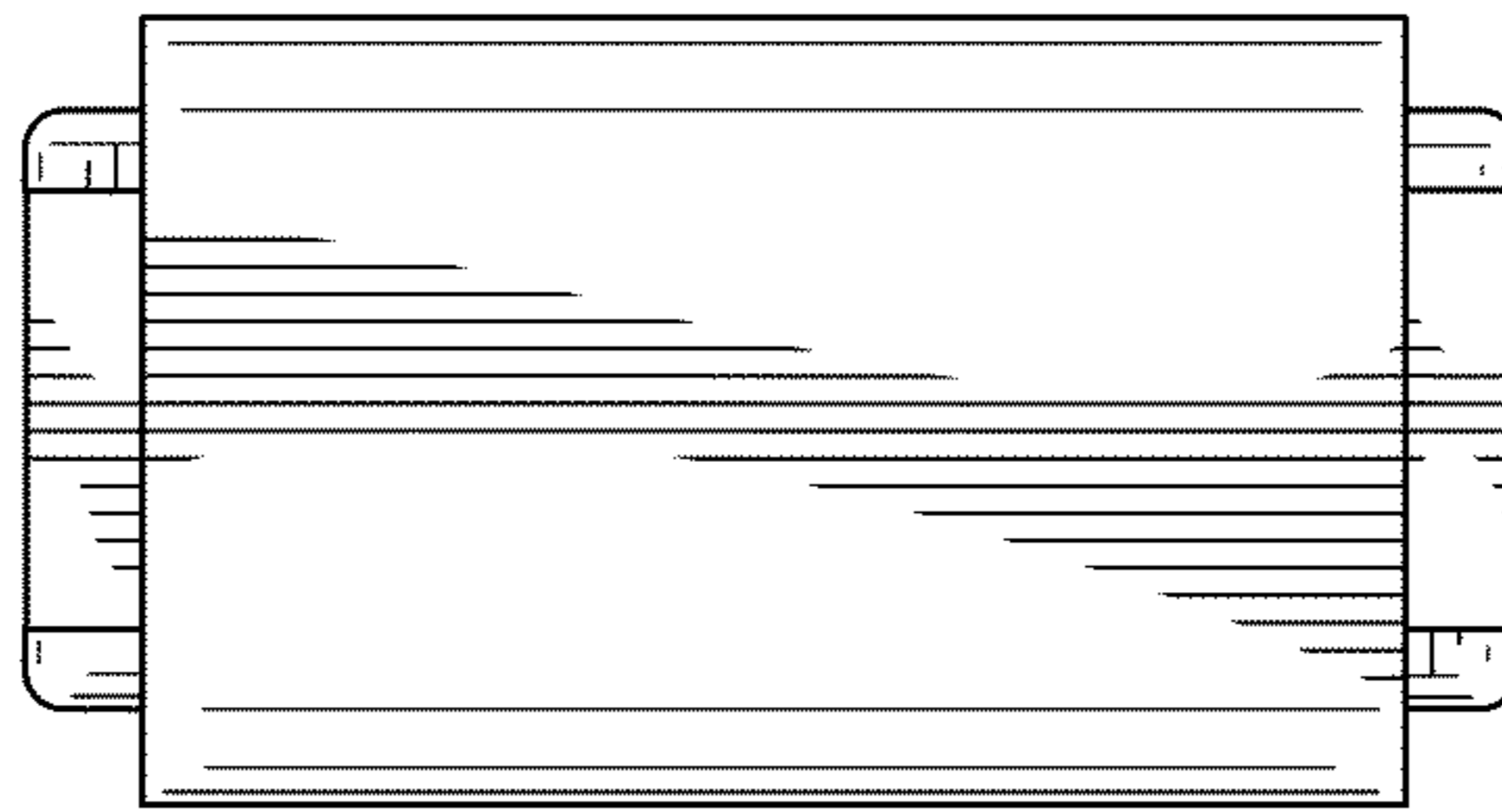


FIG. 9

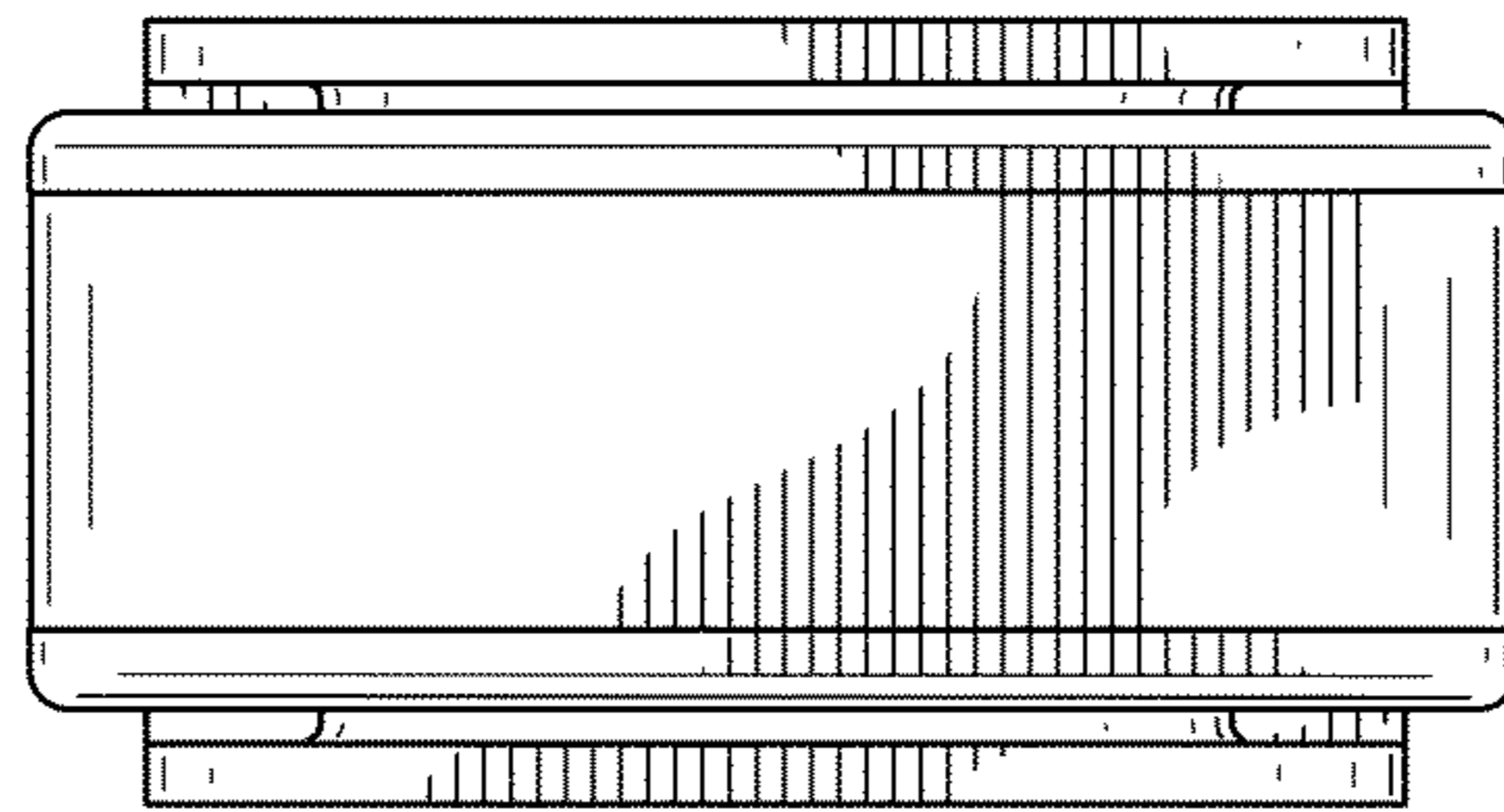


FIG. 10

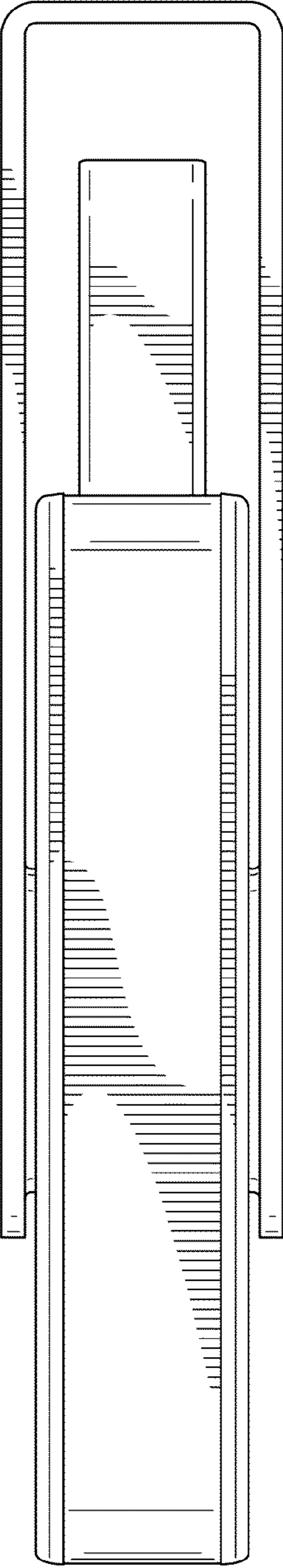


FIG. 11

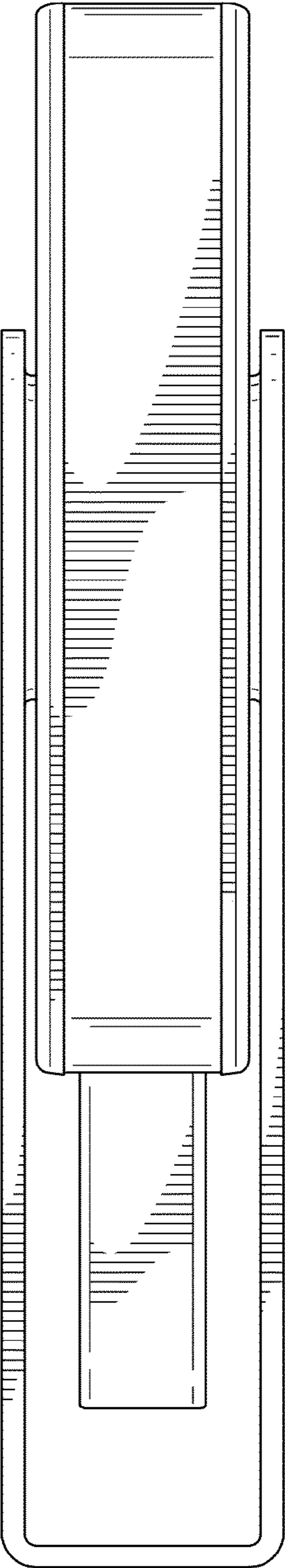


FIG. 12

13/14

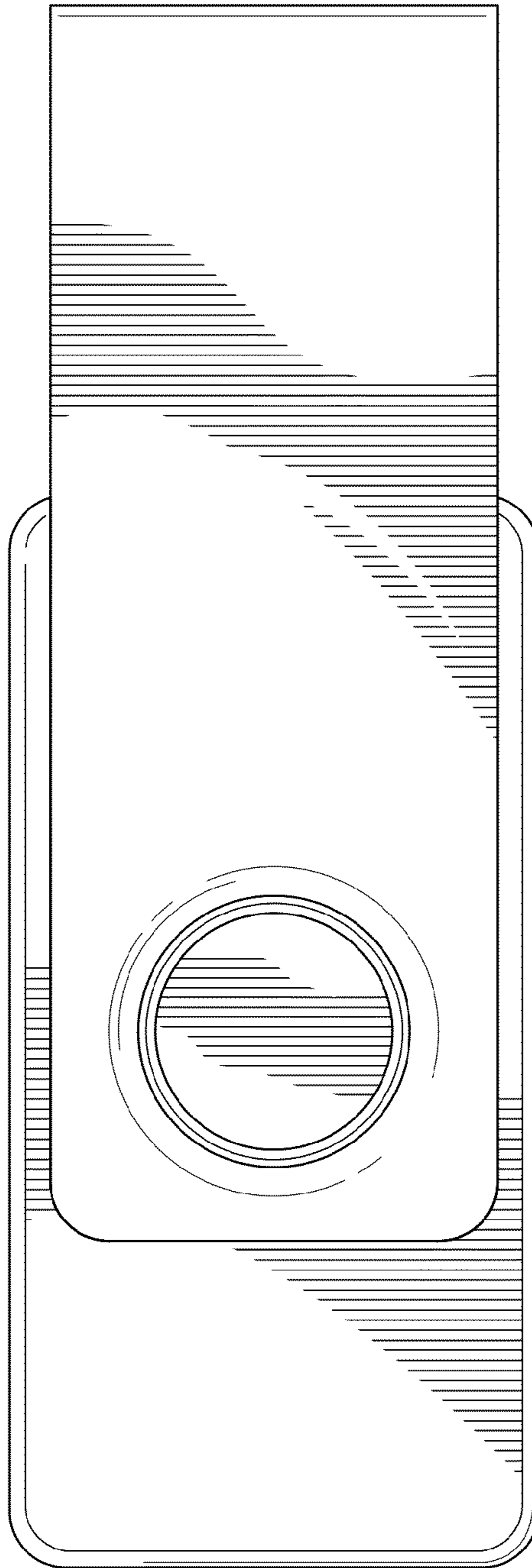


FIG. 13

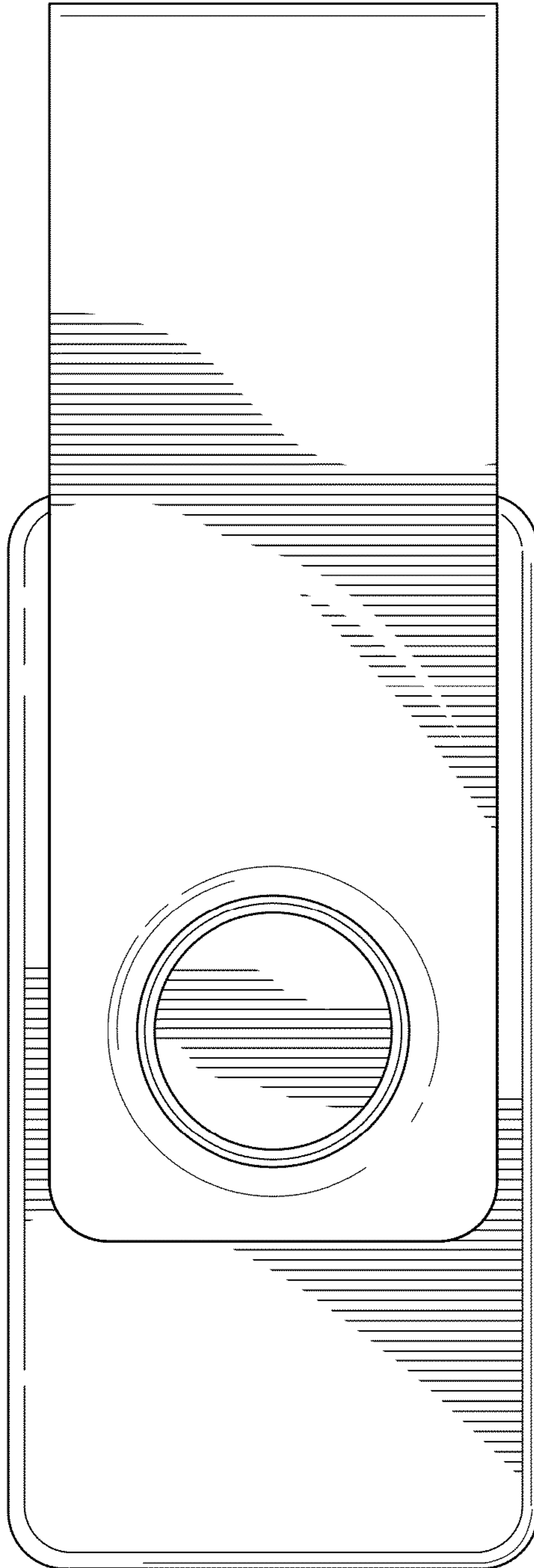


FIG. 14