



US00D705234S

(12) **United States Design Patent**
Guran

(10) **Patent No.:** **US D705,234 S**

(45) **Date of Patent:** **** May 20, 2014**

(54) **DISPLAY STAND FOR TABLET COMPUTER**

(71) Applicant: **Bonzai Design Group Inc.**, Elmira (CA)

(72) Inventor: **Iles Z. Guran**, Elmira (CA)

(73) Assignee: **Bonzai Design Group Inc.**, Elmira (CA)

(**) Term: **14 Years**

(21) Appl. No.: **29/465,473**

(22) Filed: **Aug. 28, 2013**

(51) **LOC (10) Cl.** **08-07**

(52) **U.S. Cl.**
USPC **D14/447**

(58) **Field of Classification Search**
USPC D14/447, 451, 457, 432, 434, 439, 440,
D14/217, 238.1, 250, 251, 253; D6/406.1,
D6/406.2, 406.3, 406.4, 406.5, 406.6;
D12/415; D13/108, 110; D8/363;
D21/333; 248/917-924, 133, 136, 139,
248/150, 176.1, 188.6, 444; 361/679.09,
361/679.21, 679.22, 679.24, 679.26,
361/679.27, 679.28, 679.3, 679.55, 679.56,
361/709

See application file for complete search history.

(56) **References Cited**

U.S. PATENT DOCUMENTS

D363,916 S * 11/1995 Johnson D12/415
D650,783 S * 12/2011 Ausfeld et al. D14/434

D650,784 S * 12/2011 Feldstein et al. D14/434
D663,302 S * 7/2012 Radin et al. D14/434
D671,545 S * 11/2012 Guran D14/447
8,360,370 B2 * 1/2013 Probasco et al. 248/27.3
D676,448 S * 2/2013 Gorman et al. D14/440
D686,216 S * 7/2013 Hachadorian et al. D14/447
D687,441 S * 8/2013 Janzen D14/447
D687,832 S * 8/2013 Edwards et al. D14/447
D691,141 S * 10/2013 Cruz D14/439
2013/0235521 A1 * 9/2013 Burch et al. 361/679.48

* cited by examiner

Primary Examiner — Angela J Lee

(74) *Attorney, Agent, or Firm* — R. Craig Armstrong

(57) **CLAIM**

I claim the ornamental design for the display stand for tablet computer, as shown and described.

DESCRIPTION

FIG. 1 is a perspective view of the display stand;

FIG. 2 is a corresponding front view;

FIG. 3 is a corresponding rear view;

FIG. 4 is a corresponding left side view;

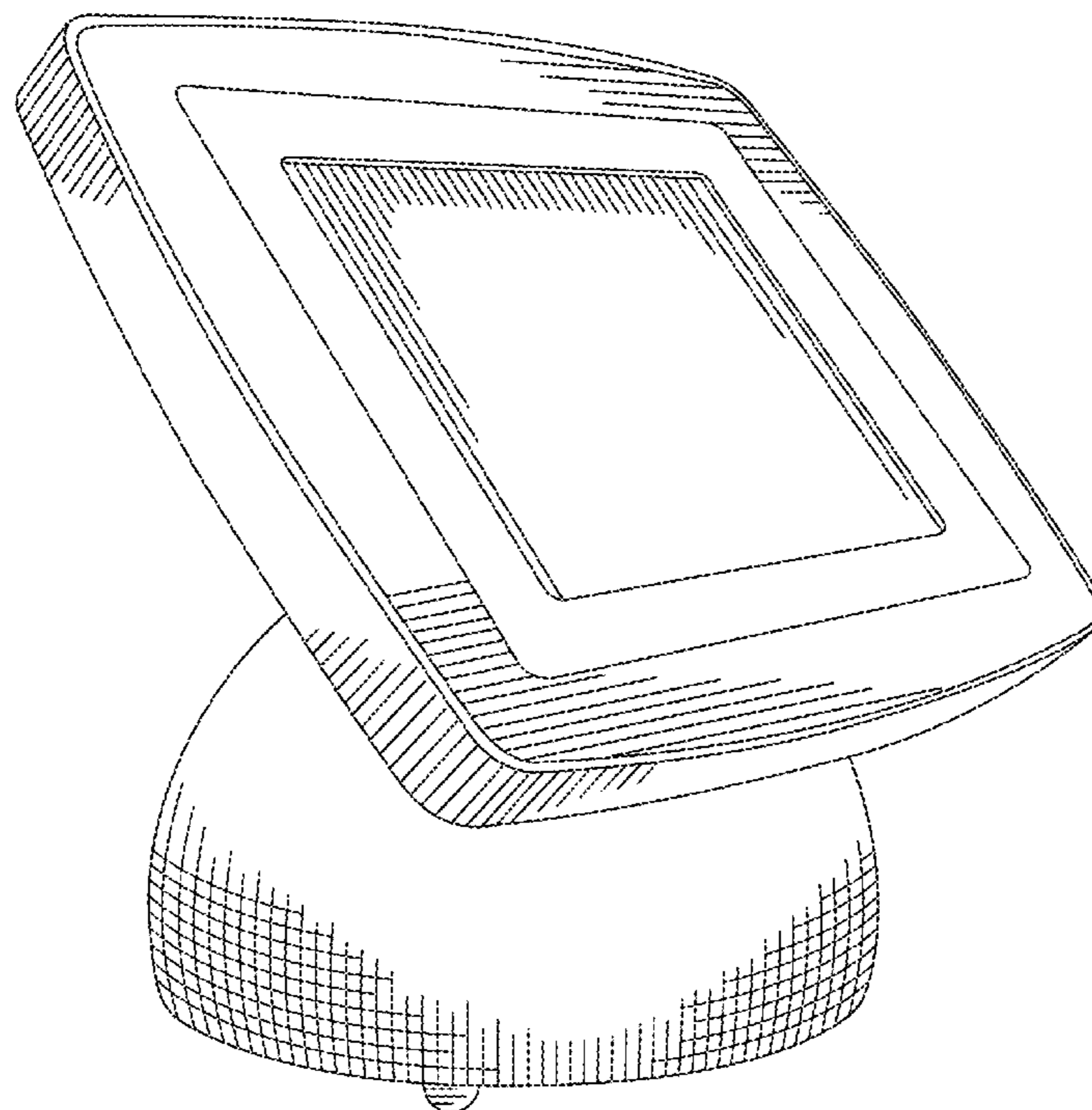
FIG. 5 is a corresponding right side view;

FIG. 6 is a corresponding top view; and,

FIG. 7 is a corresponding bottom view.

The design is the shape of the entire display stand as shown in the drawings, except that the portions of the display stand for tablet computer shown in broken lines in FIG. 7 form no part of the claimed design.

1 Claim, 7 Drawing Sheets



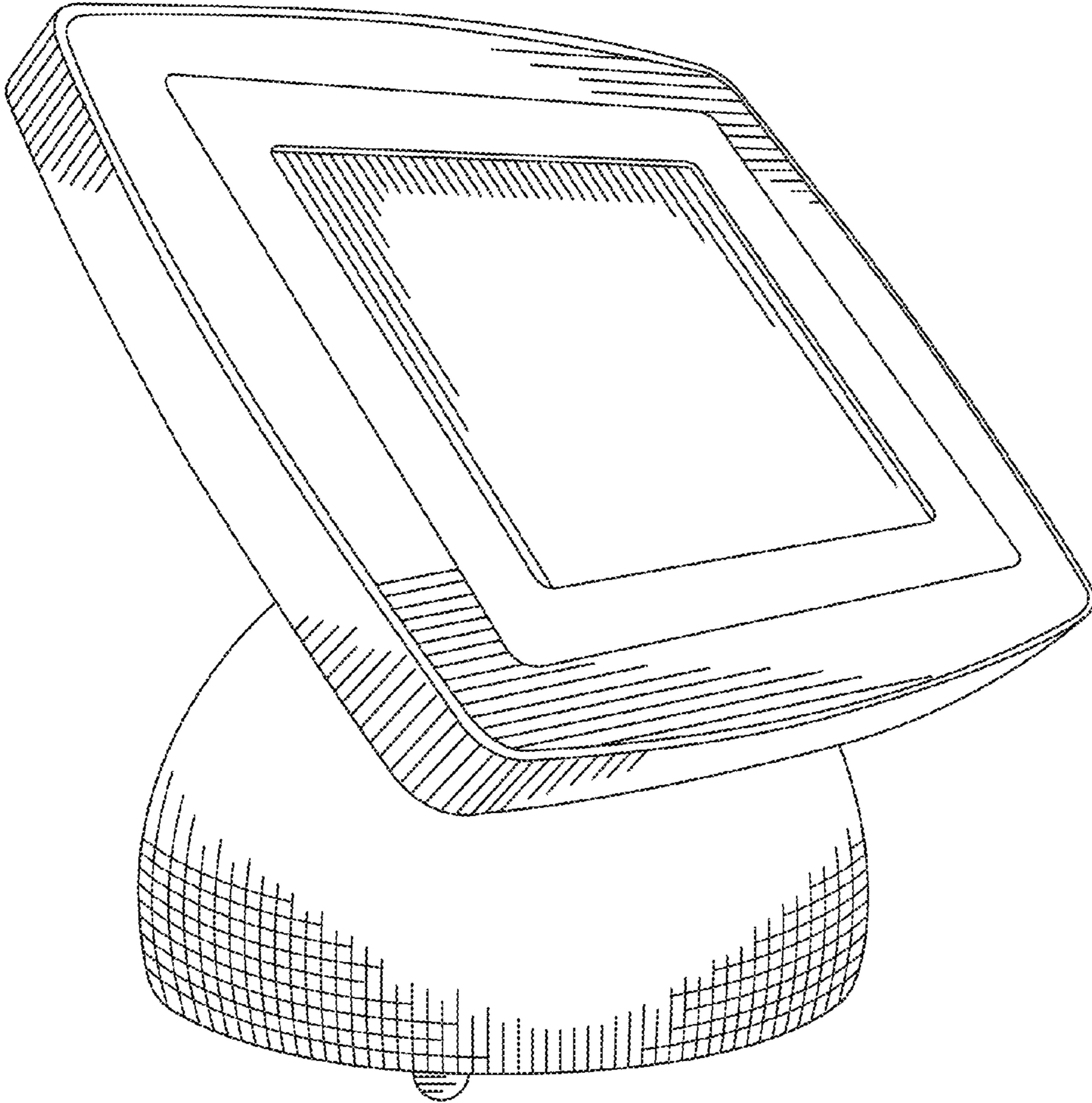


FIG 1

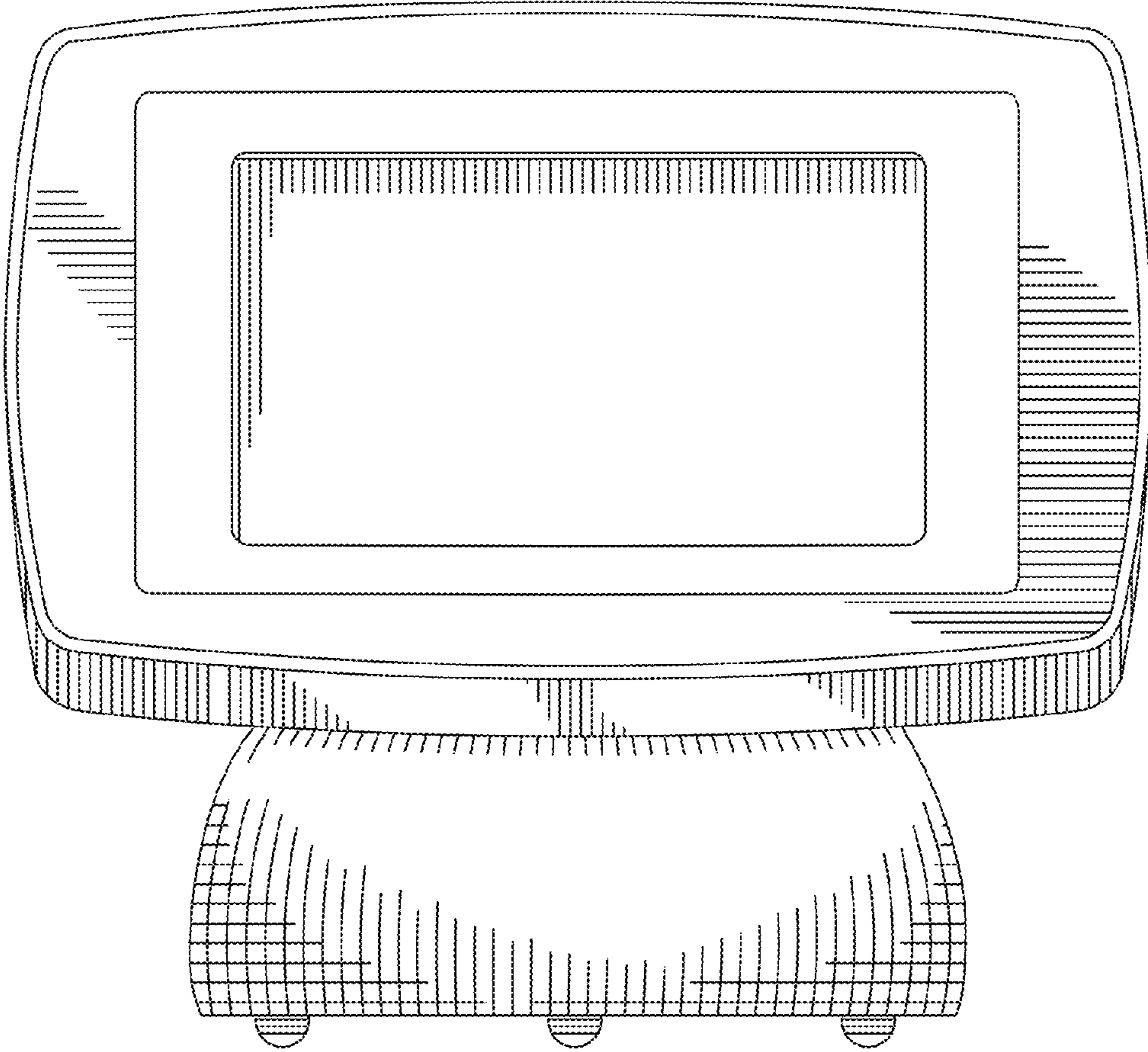


FIG 2

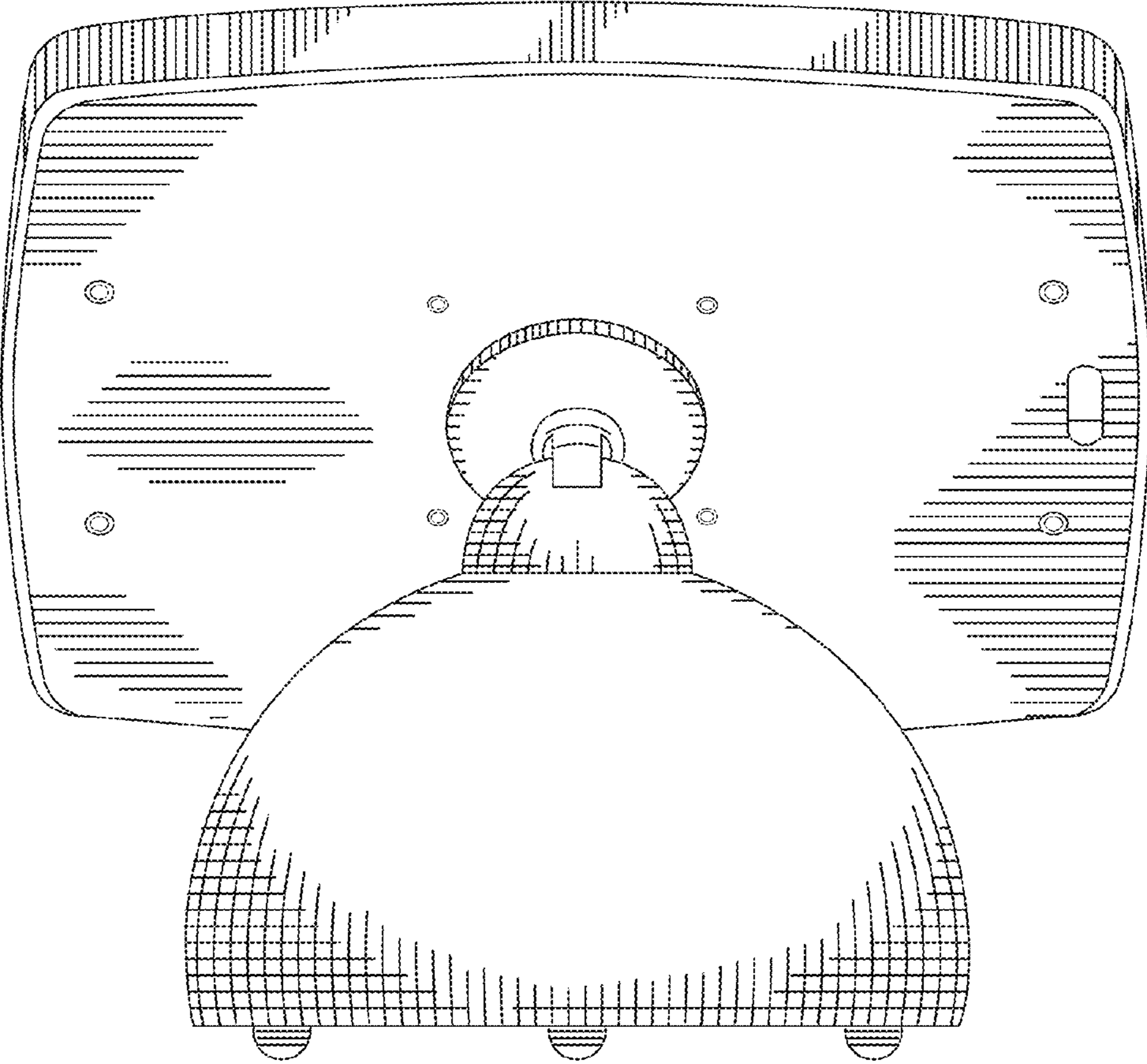


FIG 3

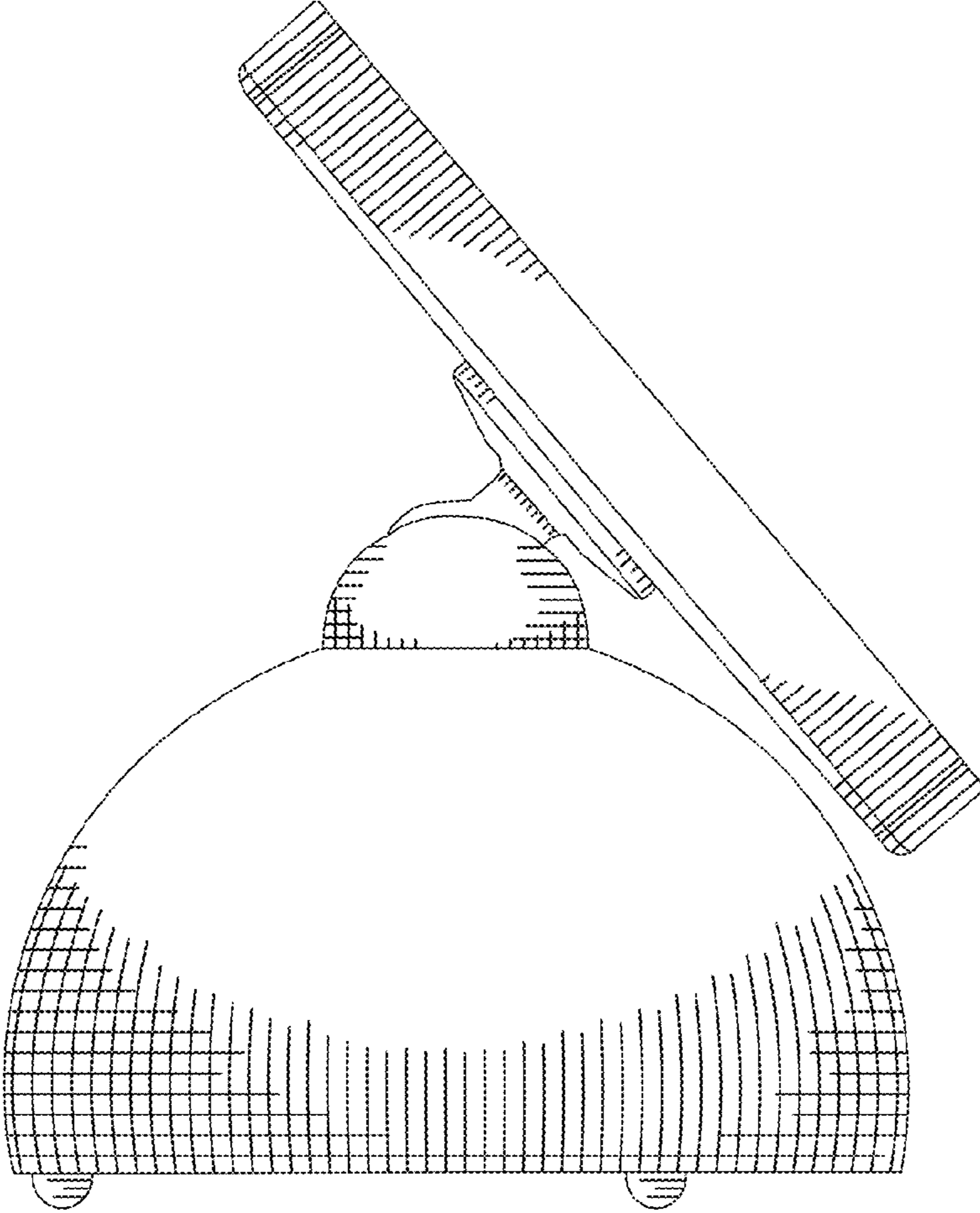


FIG 4

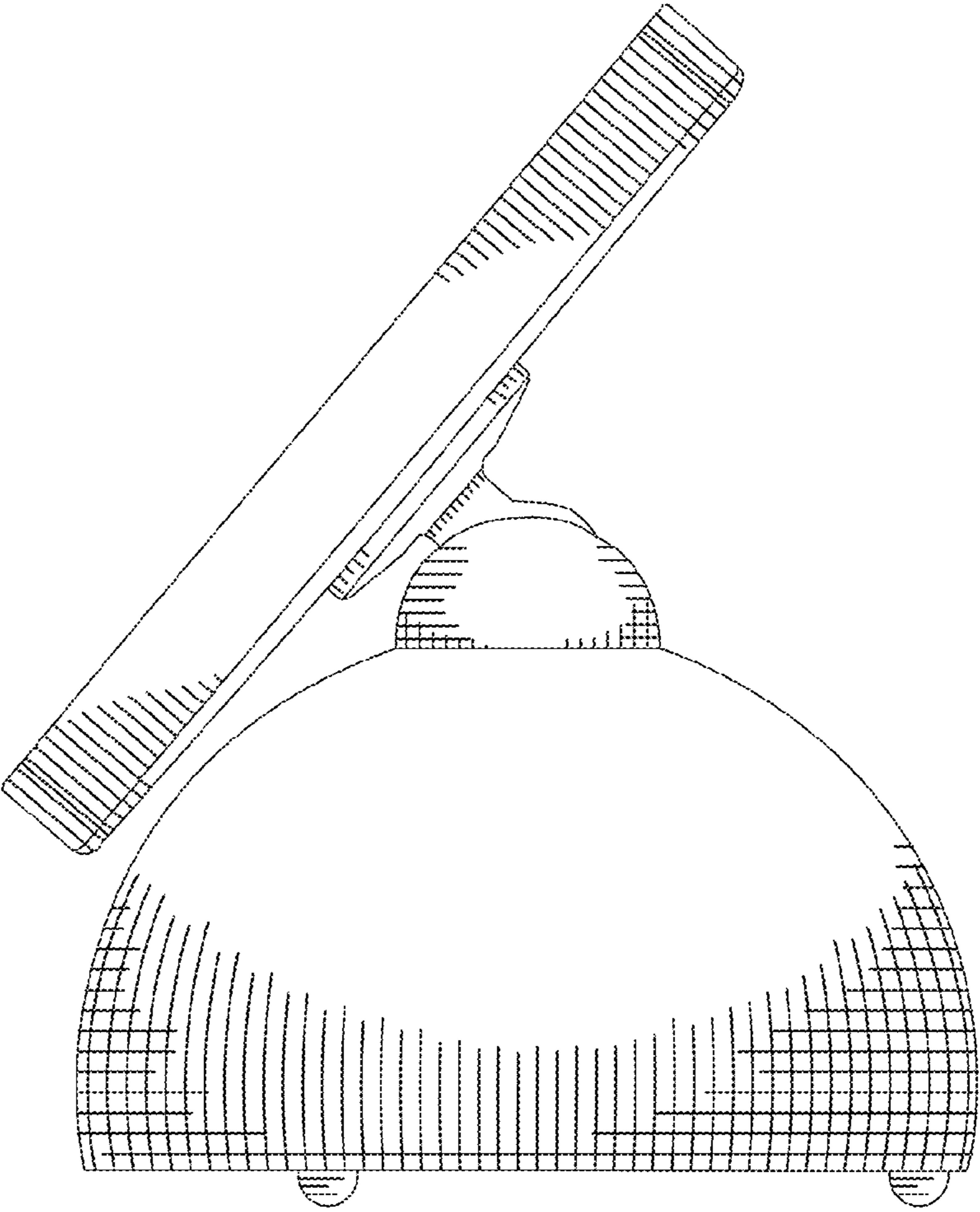


FIG 5

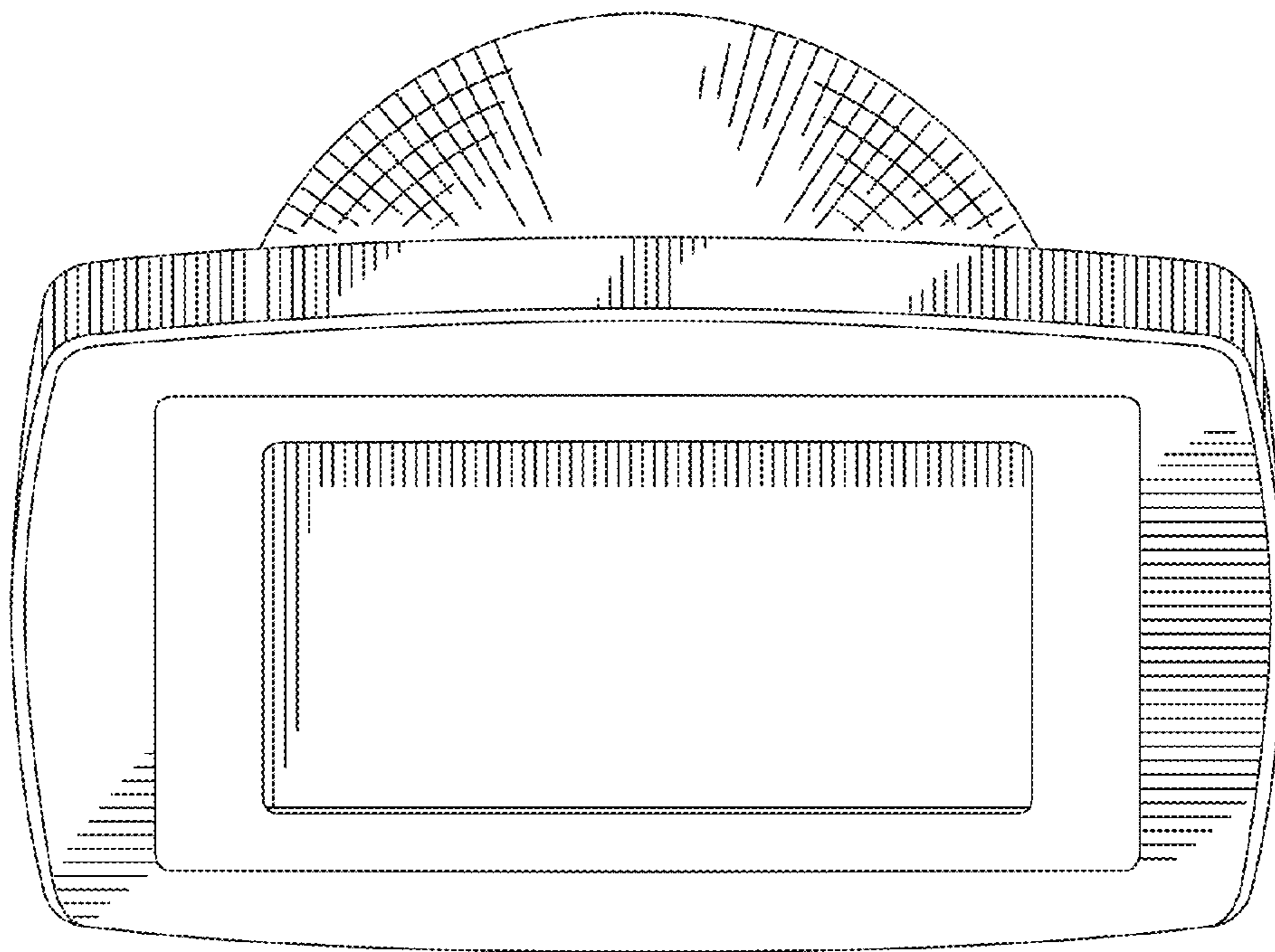


FIG 6

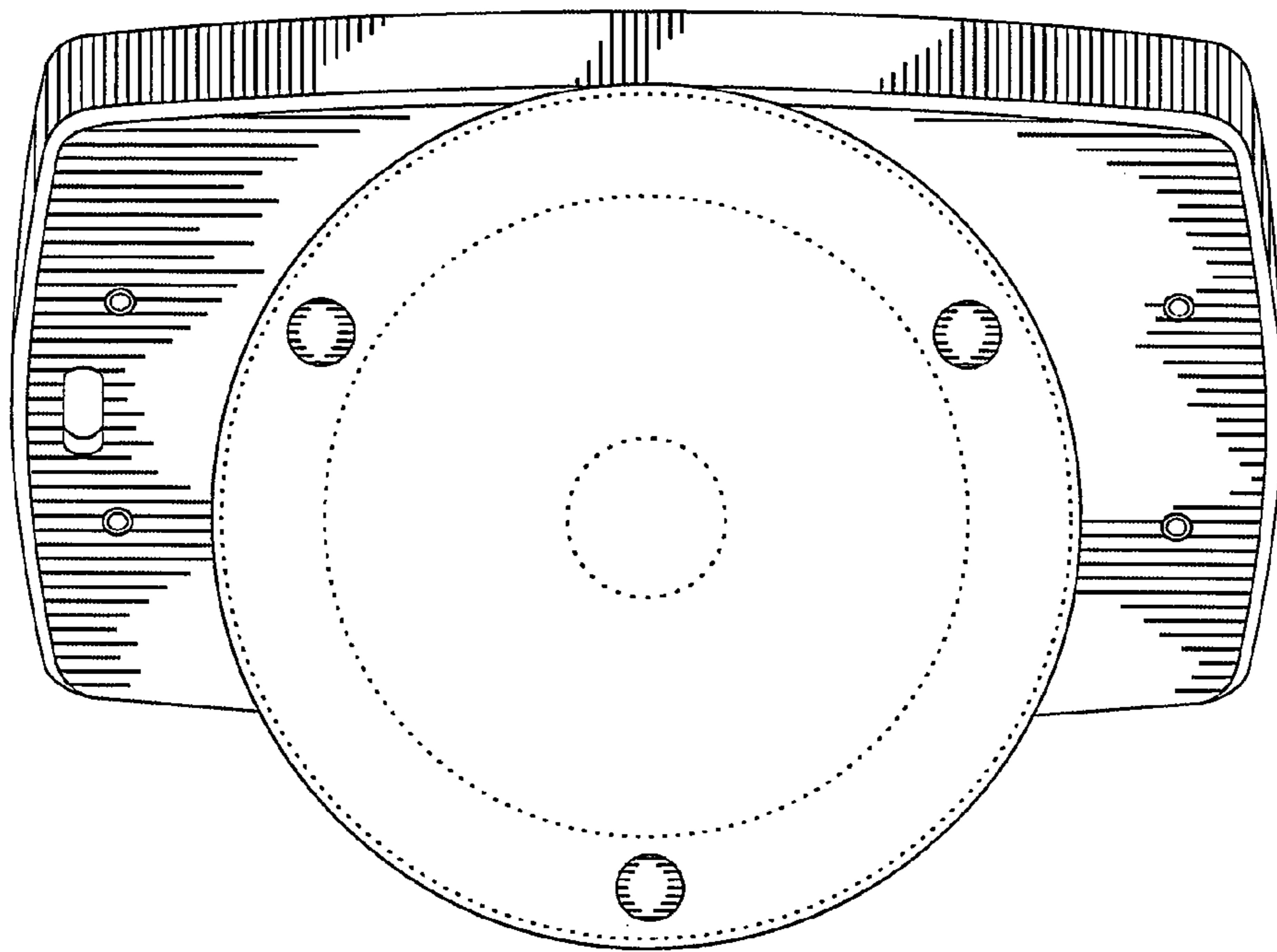


FIG 7

UNITED STATES PATENT AND TRADEMARK OFFICE
CERTIFICATE OF CORRECTION

PATENT NO. : D705,234 S
APPLICATION NO. : 29/465473
DATED : May 20, 2014
INVENTOR(S) : Iles Z. Guran

Page 1 of 2

It is certified that error appears in the above-identified patent and that said Letters Patent is hereby corrected as shown below:

In the Drawings

Figure 7 is deleted and replaced with attached Figure 7 as shown on the attached page.

Signed and Sealed this
Twenty-ninth Day of August, 2017



Joseph Matal
*Performing the Functions and Duties of the
Under Secretary of Commerce for Intellectual Property and
Director of the United States Patent and Trademark Office*

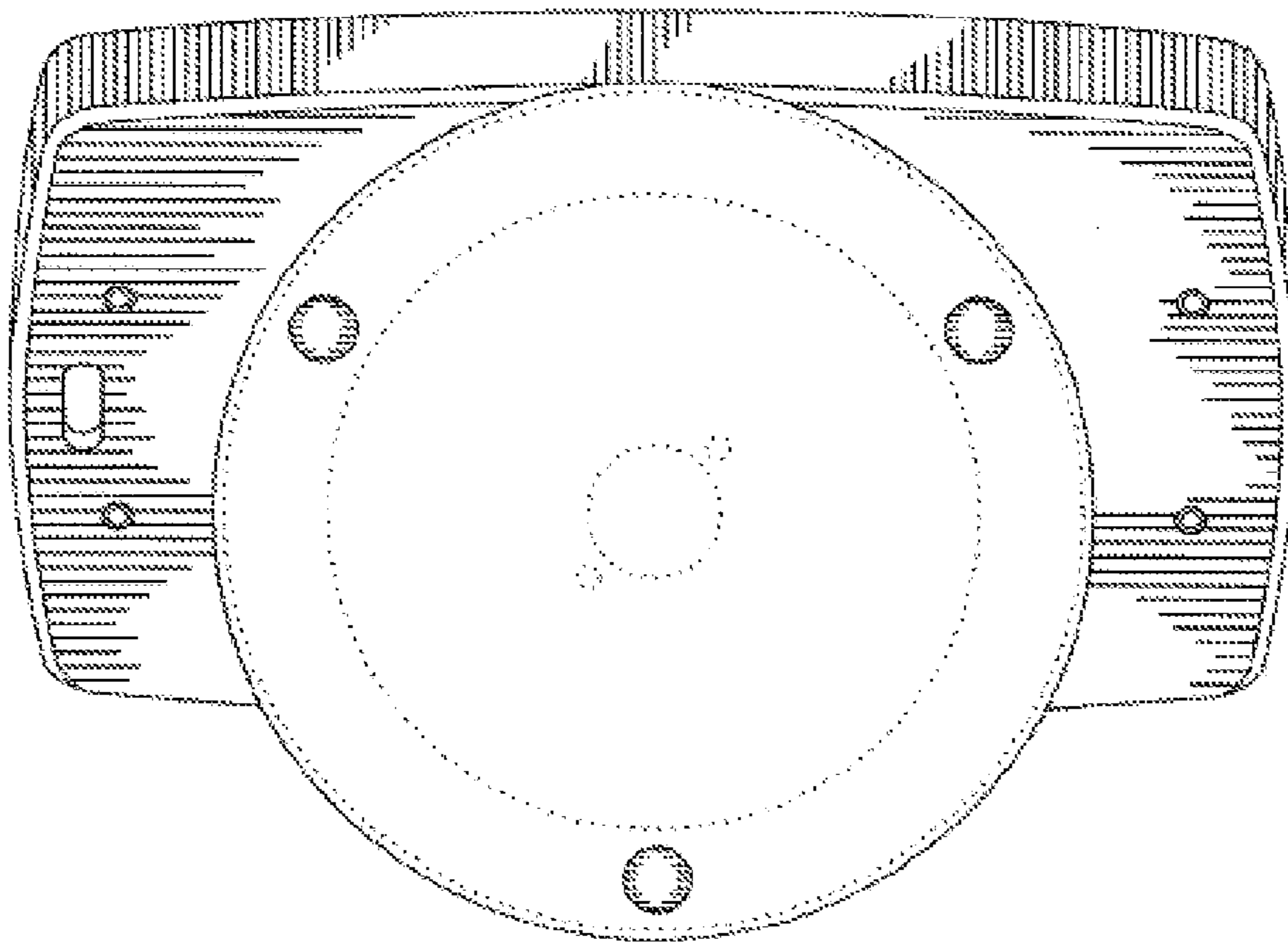


FIG 7