



US00D705230S

(12) **United States Design Patent**
Hung et al.

(10) **Patent No.:** **US D705,230 S**
(45) **Date of Patent:** **** May 20, 2014**

(54) **COMPUTER BOX**

(75) Inventors: **Yu-Chia Hung**, Taipei (TW); **Henry Zhuo**, Taipei (TW)

(73) Assignee: **Ibase Gaming Inc.**, Taipei (TW)

(**) Term: **14 Years**

(21) Appl. No.: **29/420,492**

(22) Filed: **May 9, 2012**

(30) **Foreign Application Priority Data**

Mar. 28, 2012 (TW) 101301683

(51) **LOC (10) Cl.** **14-02**

(52) **U.S. Cl.**
USPC **D14/440**

(58) **Field of Classification Search**
CPC G06F 1/181; G06F 1/187; G06F 1/184;
G06F 1/183
USPC D14/138 G, 250, 251, 253, 240, 217,
D14/496, 440, 203.3, 203.4, 203.5, 203.8,
D14/341, 318, 345, 441, 356, 308, 313,
D14/355; D3/218, 215, 201, 269, 273, 294,
D3/289, 303, 327, 900; D21/469;
220/4.02; 248/309.1; 361/679.56;
379/426, 433.11, 455; 455/575.1,
455/575.8; 190/100; 206/305, 320;
174/384, 50

See application file for complete search history.

(56) **References Cited**

U.S. PATENT DOCUMENTS

5,175,670 A * 12/1992 Wang 361/679.33
5,661,640 A * 8/1997 Mills et al. 361/801

5,839,804 A * 11/1998 Ho 312/223.2
6,082,842 A * 7/2000 Ho 312/257.1
6,114,622 A * 9/2000 Draeger 174/384
6,530,628 B1 * 3/2003 Huang et al. 312/223.2
D475,705 S * 6/2003 Coglitore et al. D14/356
6,642,447 B1 * 11/2003 Mailloux 174/50
D584,728 S * 1/2009 Park et al. D14/355
D609,232 S * 2/2010 Wang et al. D14/308
D661,696 S * 6/2012 Takada D14/356
8,253,015 B2 * 8/2012 Chang 174/50
2011/0220770 A1 * 9/2011 Sun 248/309.1
2012/0262038 A1 * 10/2012 Zeng et al. 312/223.2

* cited by examiner

Primary Examiner — Deanna L Pratt

Assistant Examiner — Lilyana Bekic

(57) **CLAIM**

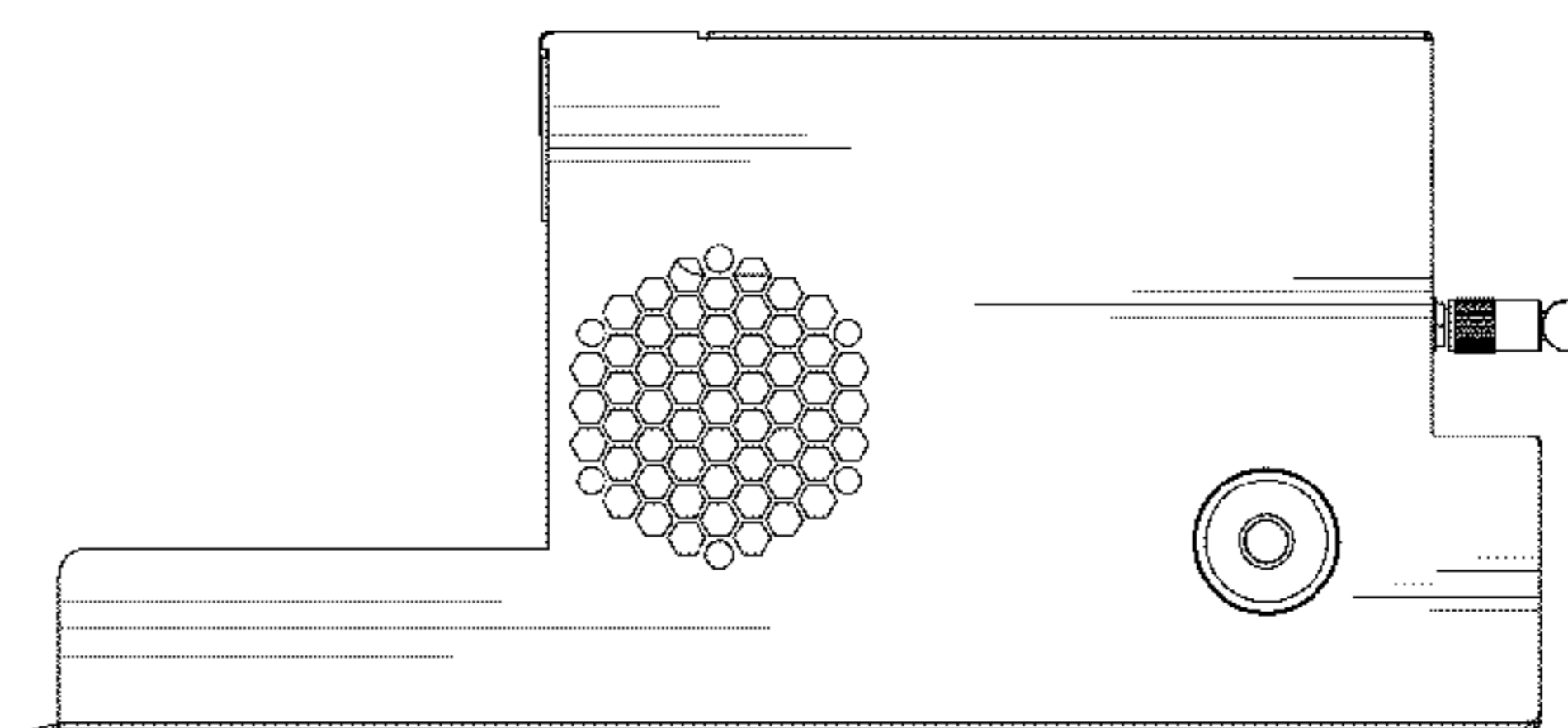
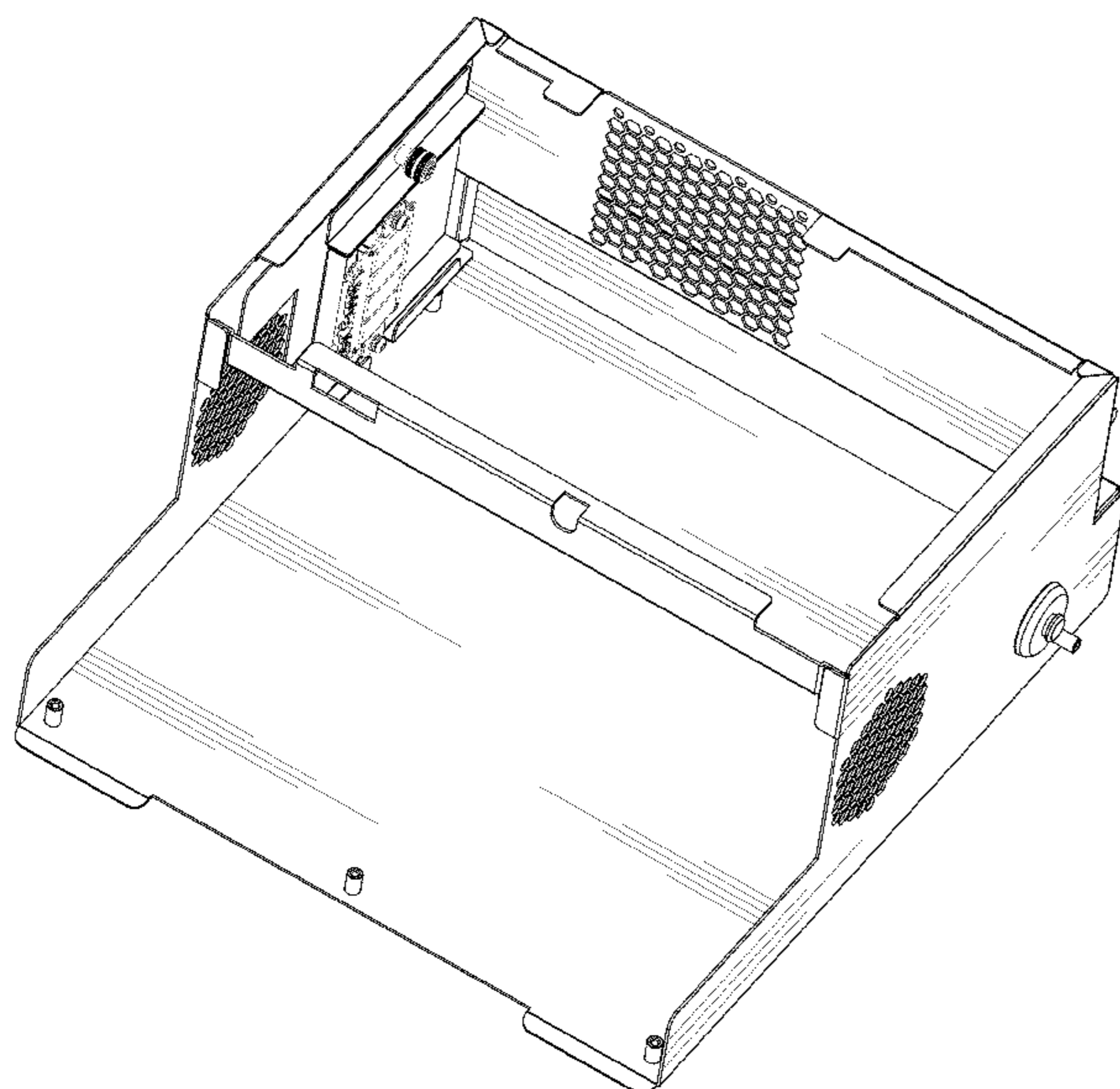
The ornamental design for a computer box, as shown and described.

DESCRIPTION

FIG. 1 is a perspective view of a computer box showing my new design;
FIG. 2 is a front elevational view thereof;
FIG. 3 is a rear elevational view thereof;
FIG. 4 is a left elevational view thereof;
FIG. 5 is a right elevational view thereof;
FIG. 6 is a top view thereof; and,
FIG. 7 is a bottom view thereof.

The broken lines in the drawings illustrate portions of the computer box which form no part of the claimed design.

1 Claim, 7 Drawing Sheets



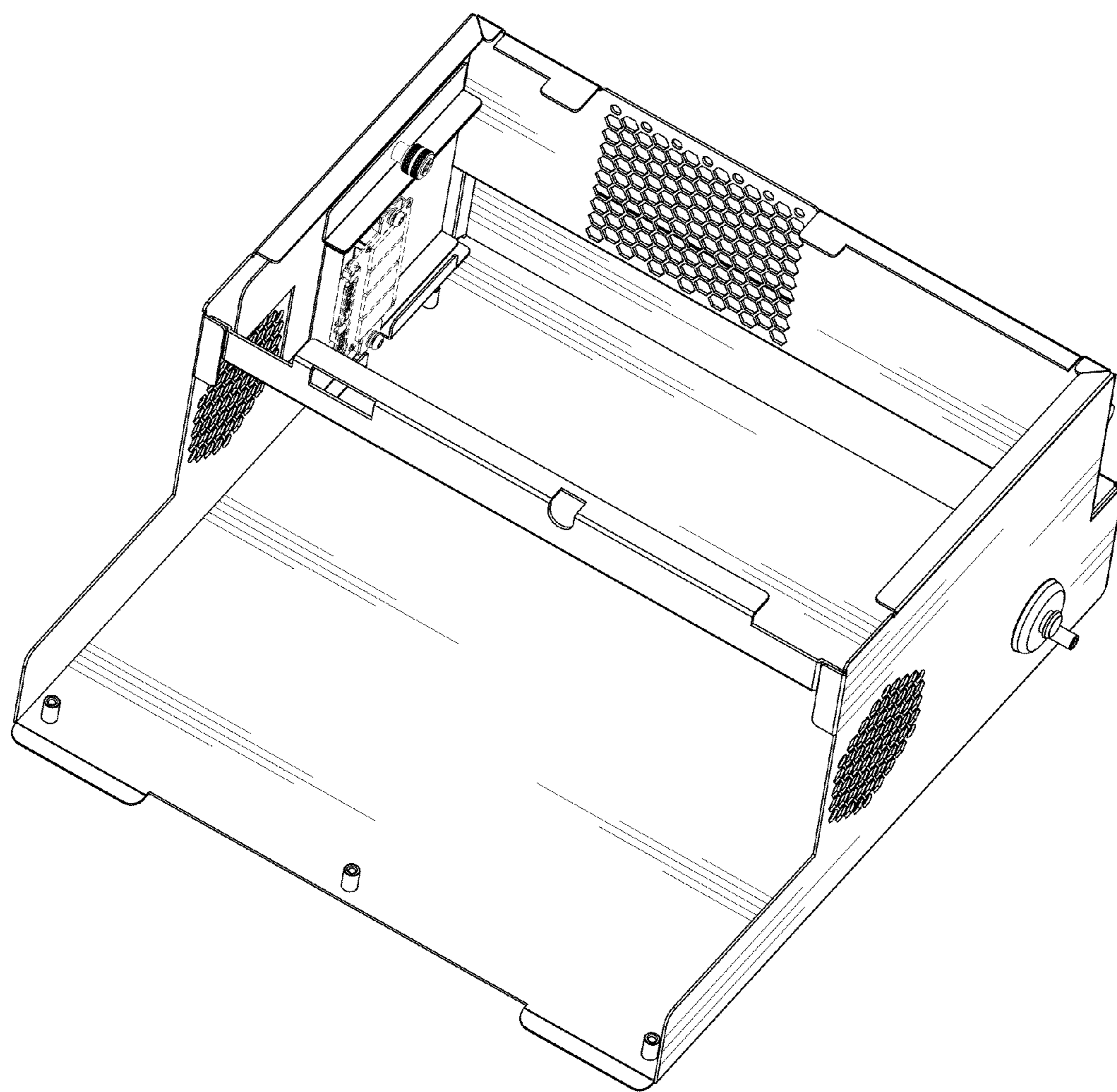


FIG. 1

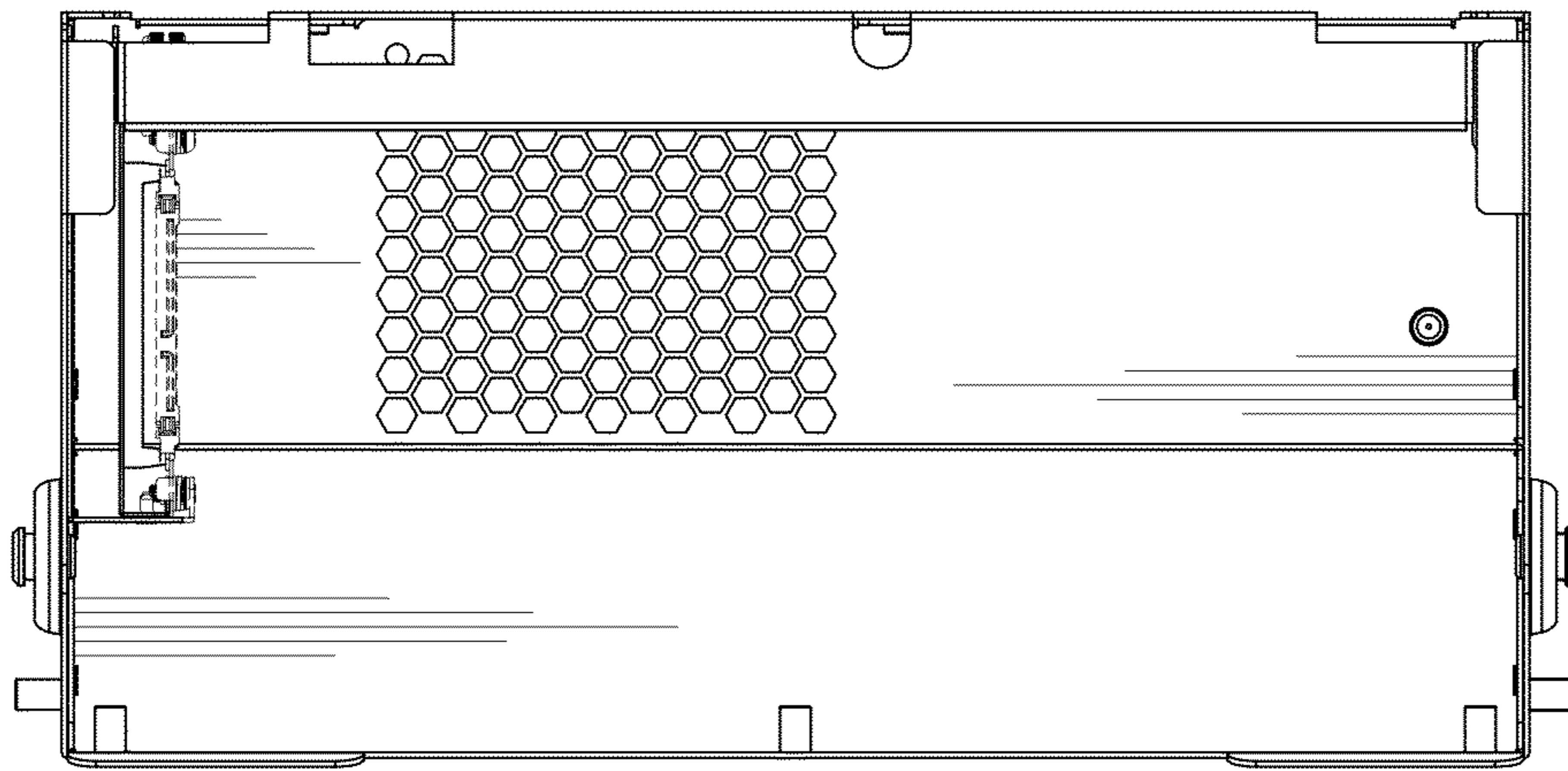


FIG. 2

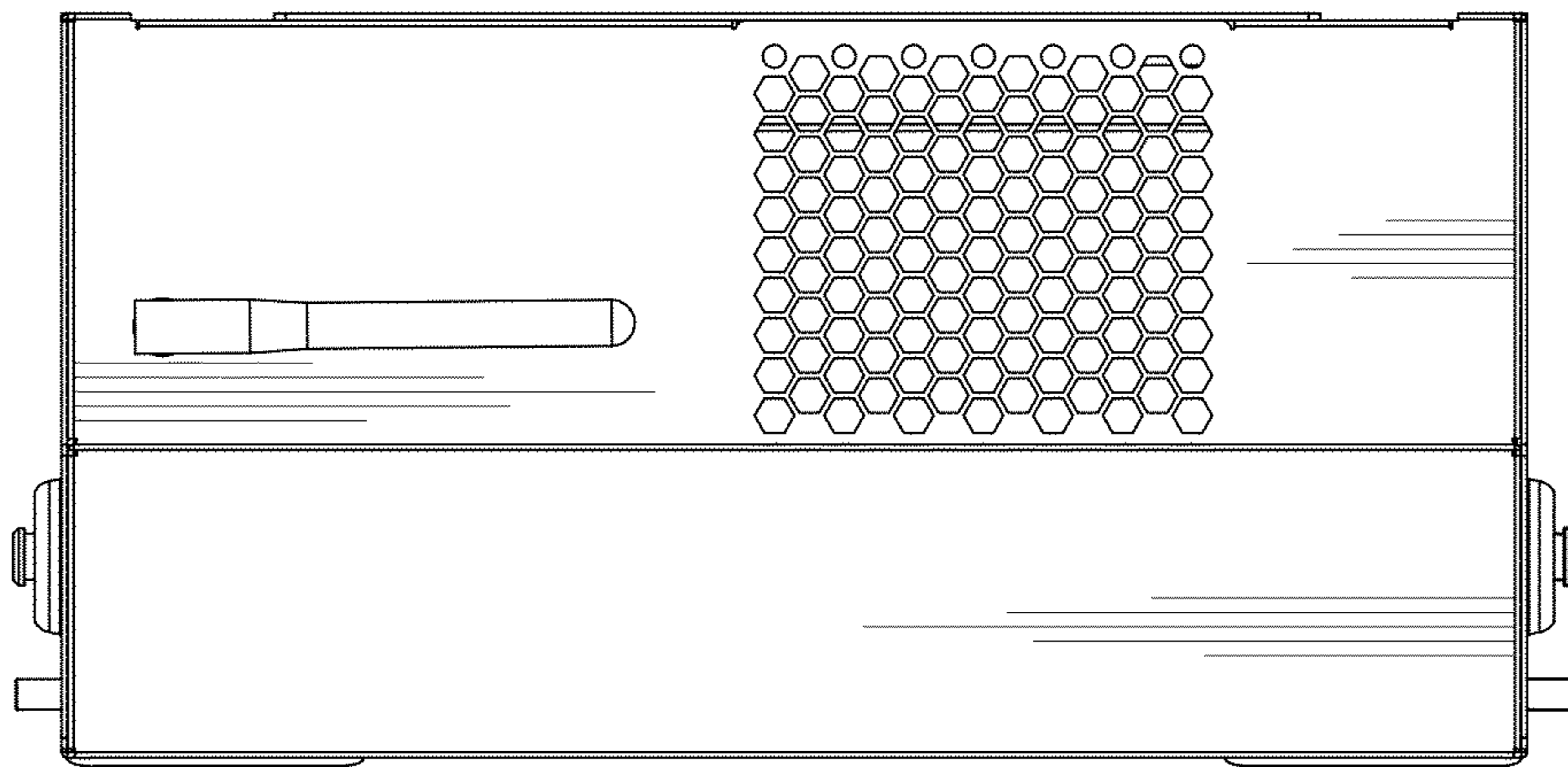


FIG. 3

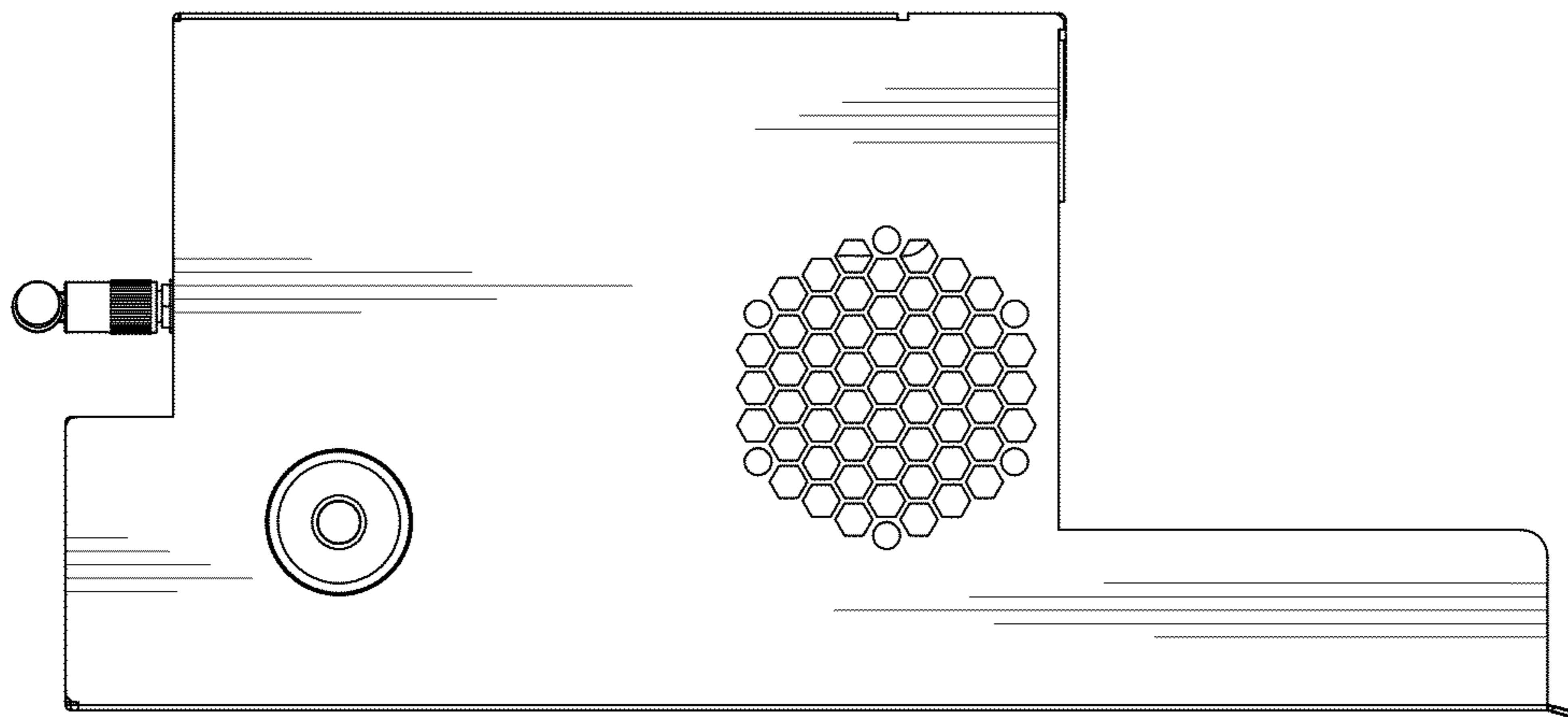


FIG. 4

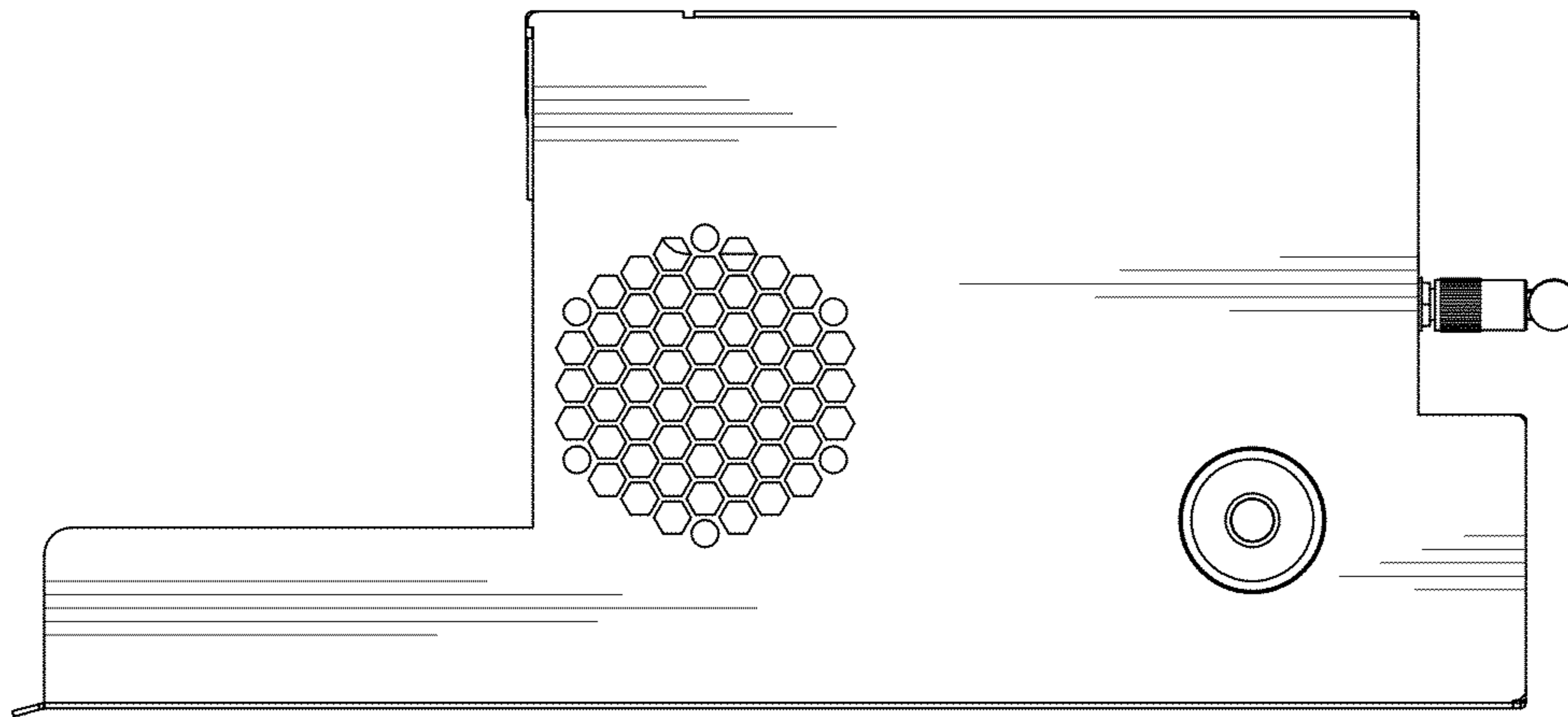


FIG. 5

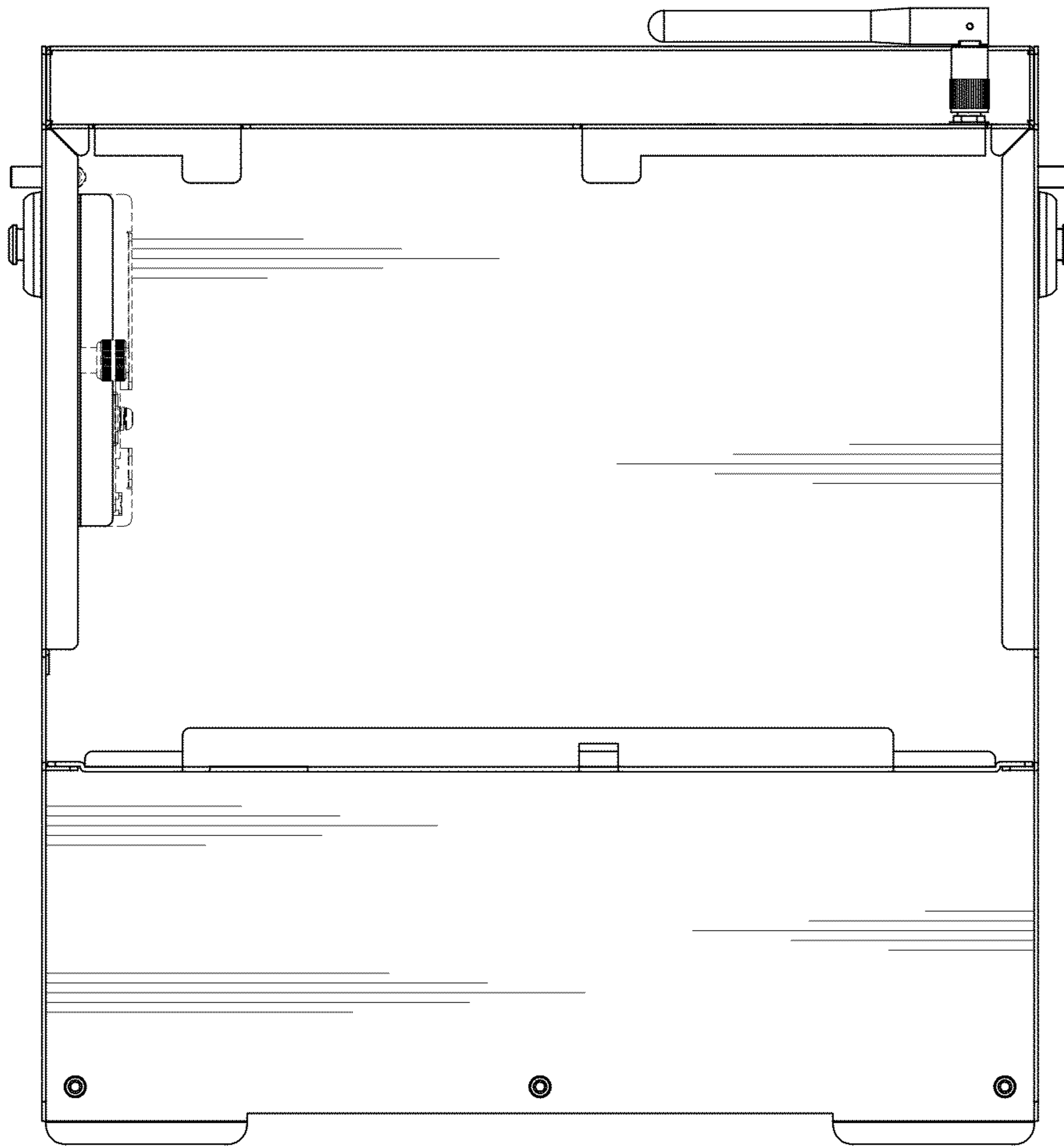


FIG. 6

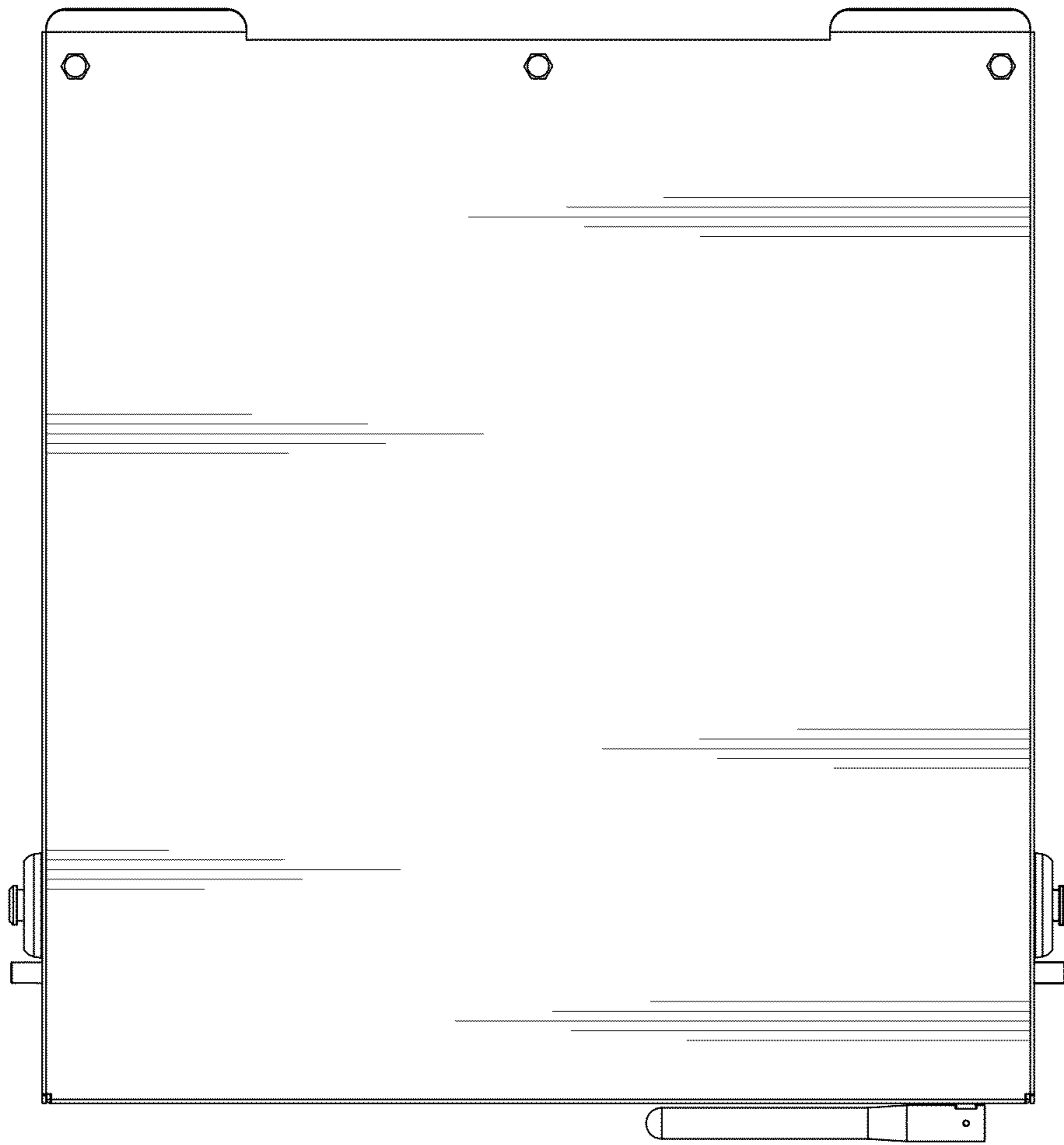


FIG. 7