



US00D705225S

(12) **United States Design Patent**  
**Huh et al.**

(10) **Patent No.:** **US D705,225 S**

(45) **Date of Patent:** **\*\* May 20, 2014**

(54) **MONITOR**

(71) Applicant: **LG Electronics Inc.**, Seoul (KR)

(72) Inventors: **Byungmu Huh**, Seoul (KR); **Boyeun Park**, Seoul (KR)

(73) Assignee: **LG Electronics Inc.**, Seoul (KR)

(\*\*) Term: **14 Years**

(21) Appl. No.: **29/443,984**

(22) Filed: **Jan. 24, 2013**

(30) **Foreign Application Priority Data**

Jul. 25, 2012 (KR) ..... 30-2012-0036155

(51) **LOC (10) Cl.** ..... **14-02**

(52) **U.S. Cl.**  
USPC ..... **D14/374**

(58) **Field of Classification Search**  
CPC ..... G06F 3/016; G06F 3/011; F16M 11/10;  
F16M 11/04

USPC ..... D14/371-375, 125-129, 336, 337;  
341/12; 345/104, 156, 168, 173;  
348/180, 184, 325, 739; 349/1, 2, 11,  
349/62; 361/679.01, 679.05-679.07,  
361/679.21; D6/300, 308

See application file for complete search history.

(56) **References Cited**

U.S. PATENT DOCUMENTS

D489,721 S \* 5/2004 Peng et al. .... D14/371  
D496,046 S \* 9/2004 Lo ..... D14/375  
D598,911 S \* 8/2009 Wang et al. .... D14/336  
D667,827 S \* 9/2012 Park et al. .... D14/374

\* cited by examiner

*Primary Examiner* — Freda S Nunn

(74) *Attorney, Agent, or Firm* — Birch, Stewart, Kolasch & Birch, LLP

(57) **CLAIM**

The ornamental design for a monitor, as shown and described.

**DESCRIPTION**

FIG. 1. is a perspective view of a monitor showing our new design;

FIG. 2 is a front view thereof;

FIG. 3 is a rear view thereof;

FIG. 4 is a left side view thereof where the right side view is a mirror image;

FIG. 5 is a top plan view thereof;

FIG. 6 is a bottom plan view thereof; and,

FIG. 7 is a rear perspective view thereof.

**1 Claim, 6 Drawing Sheets**

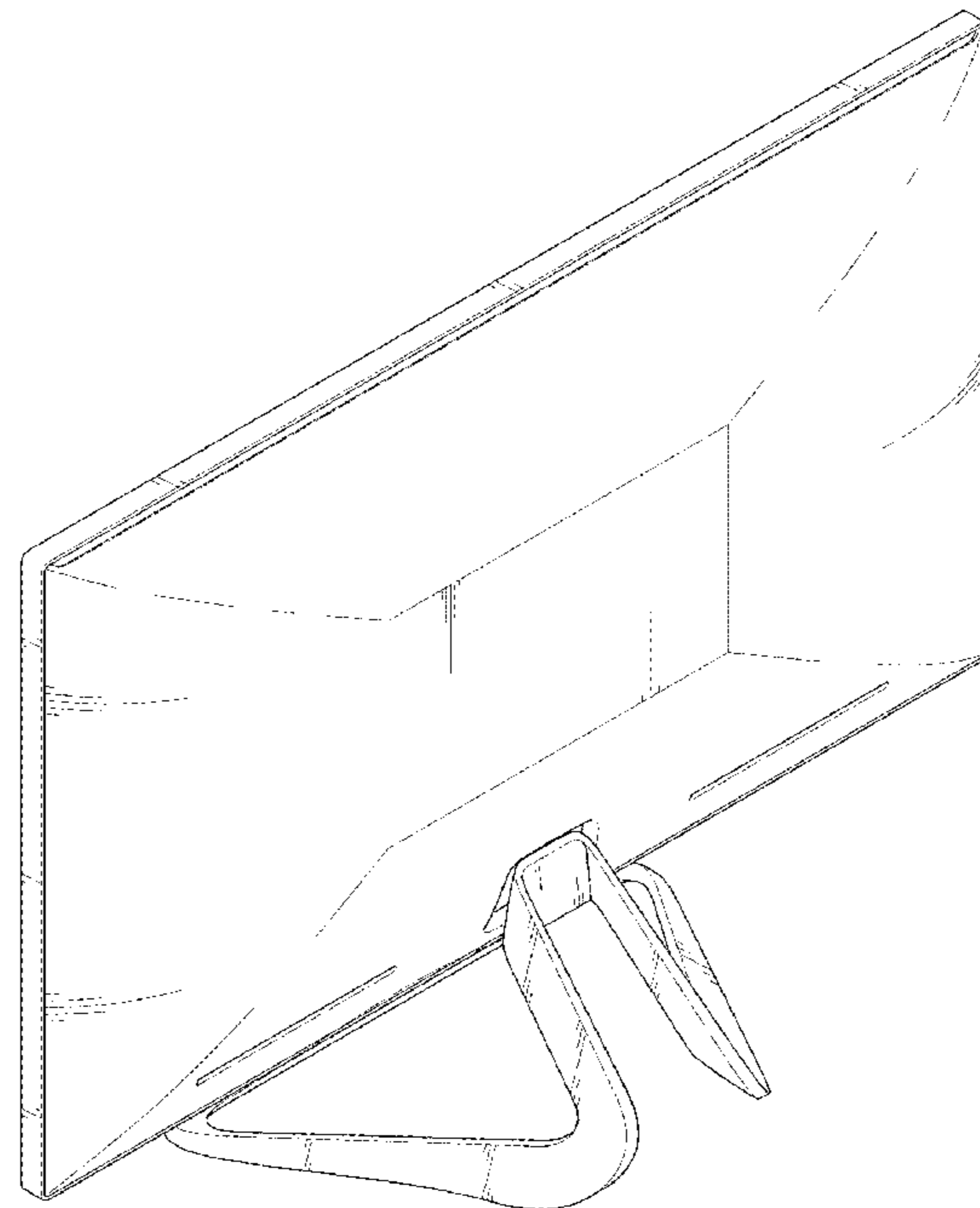
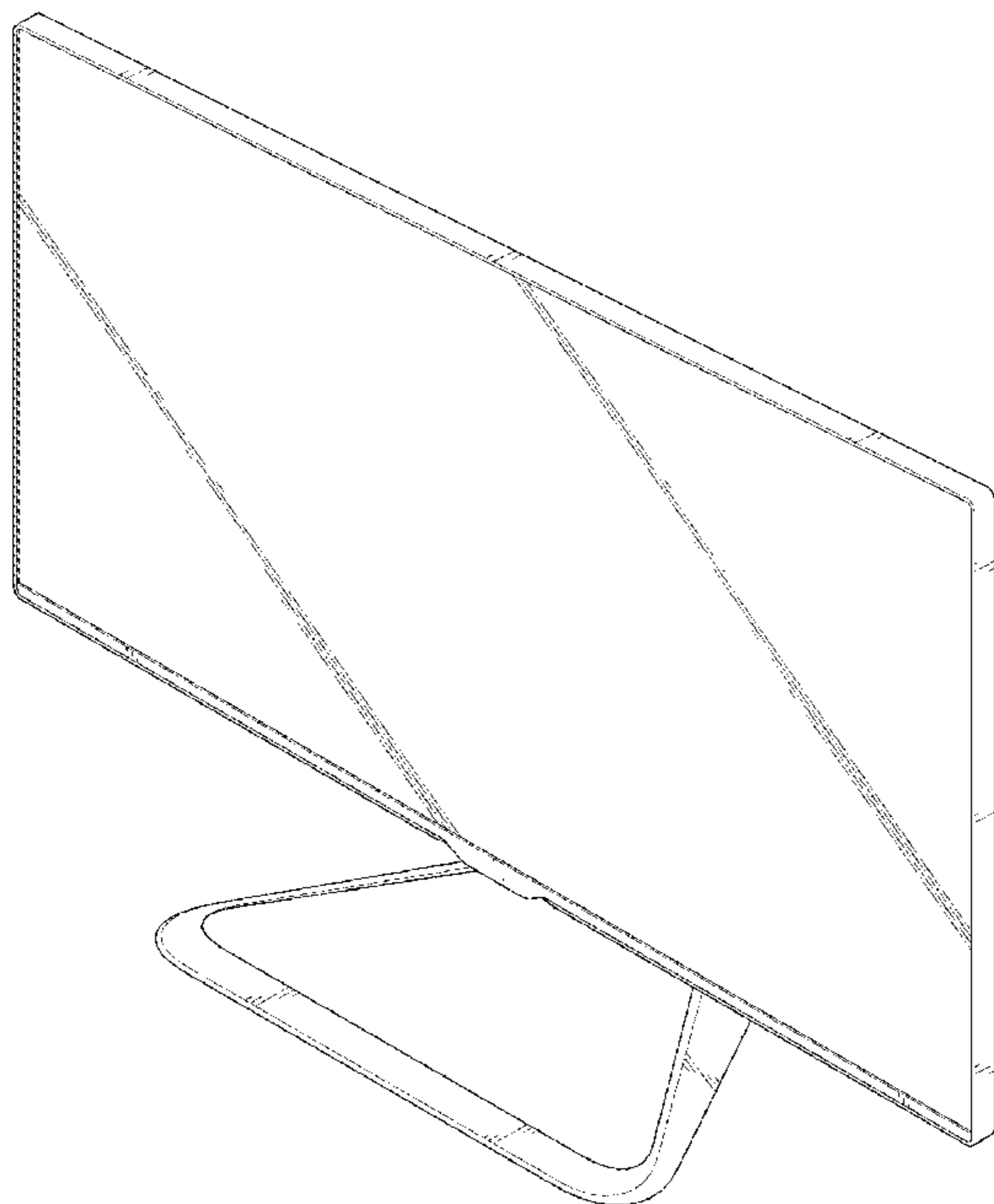


FIG. 1

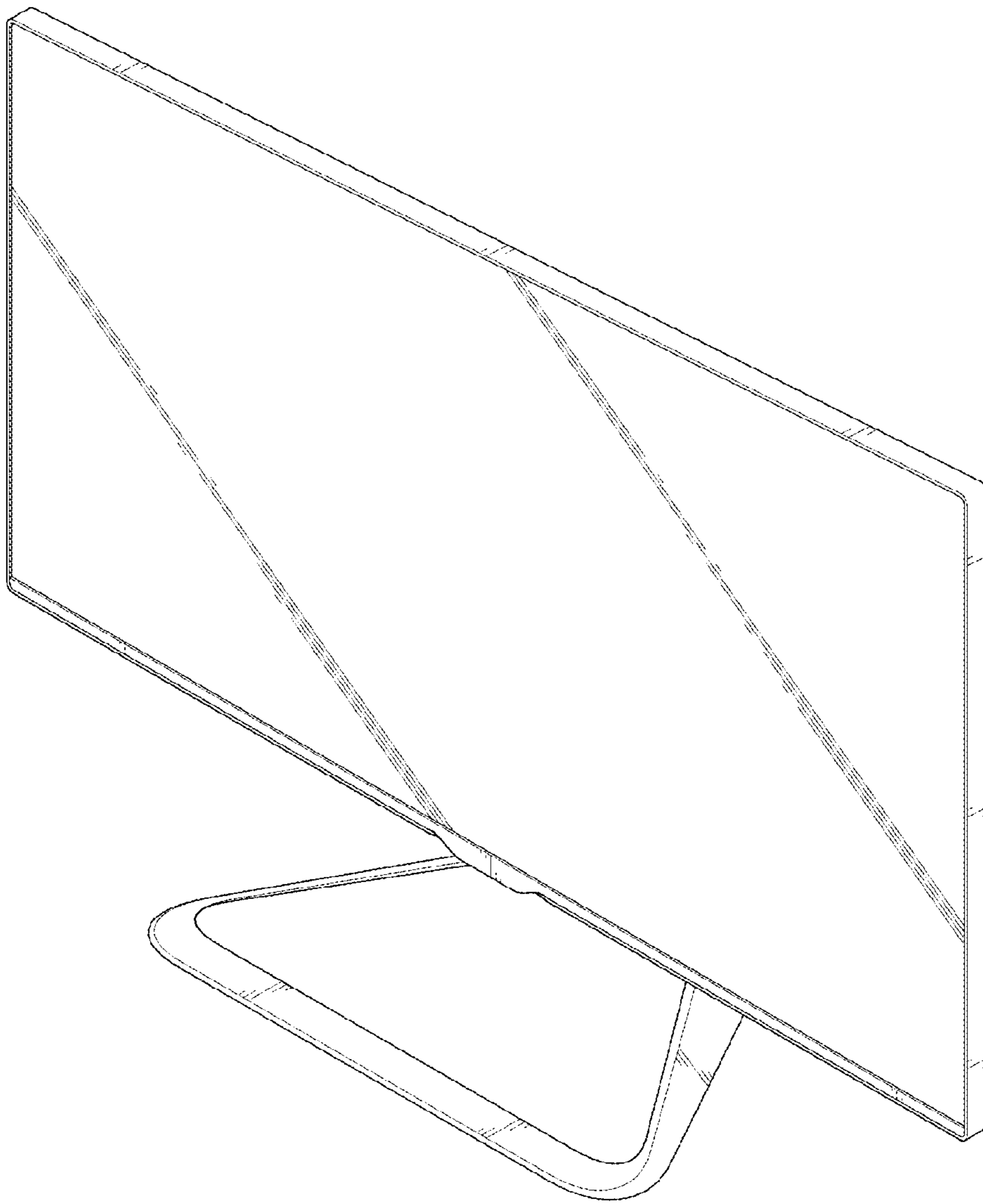


FIG. 2

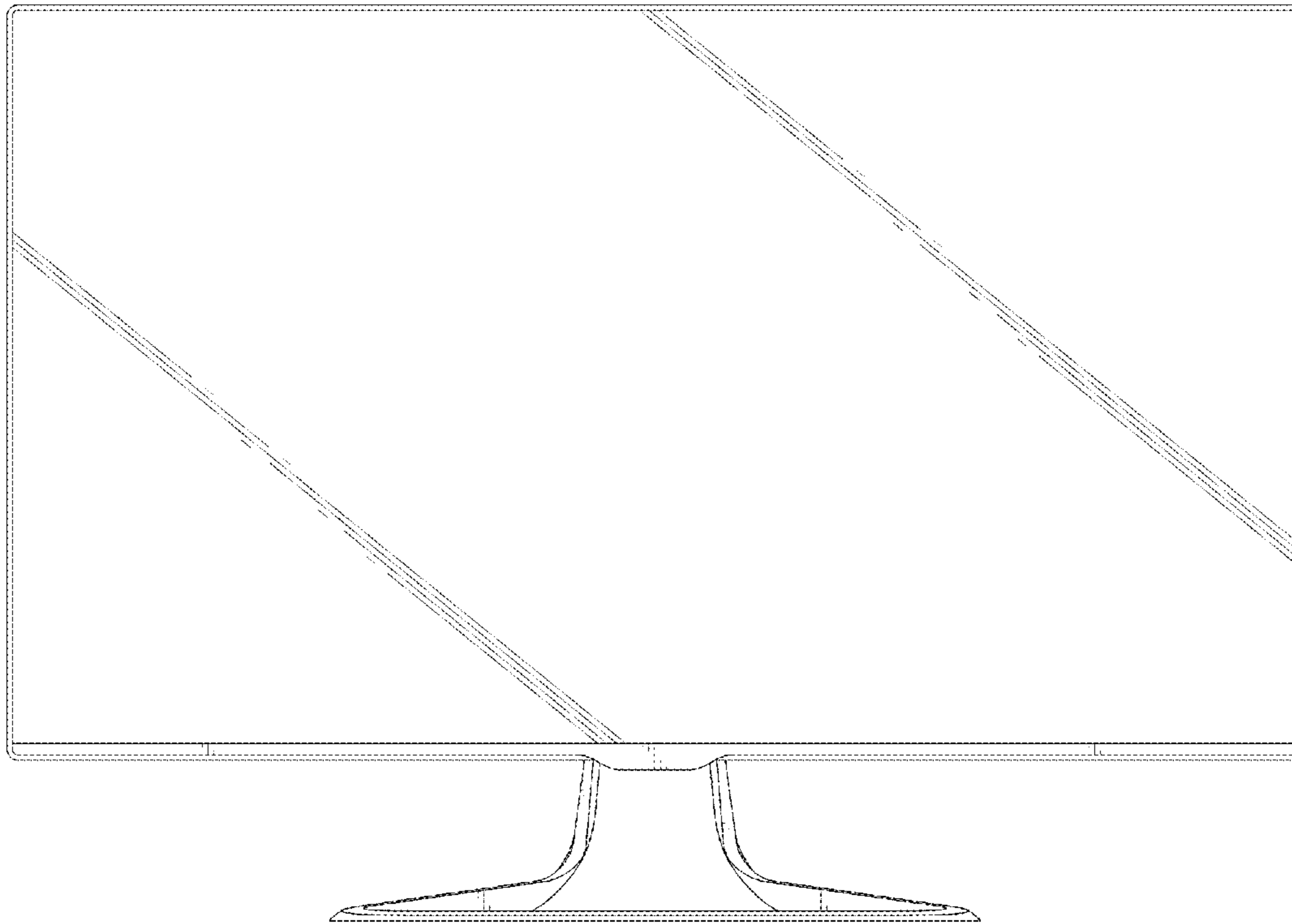


FIG. 3

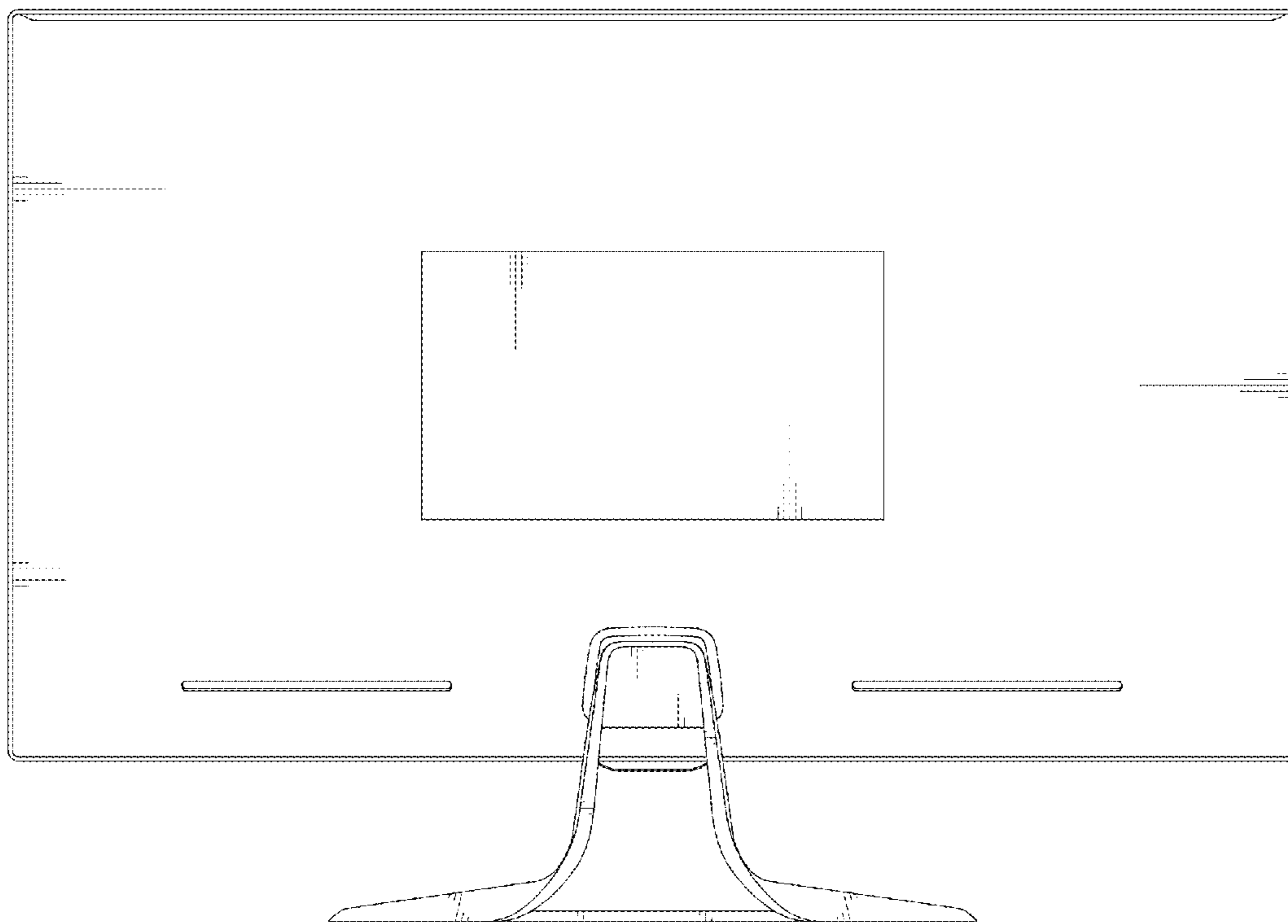


FIG. 4

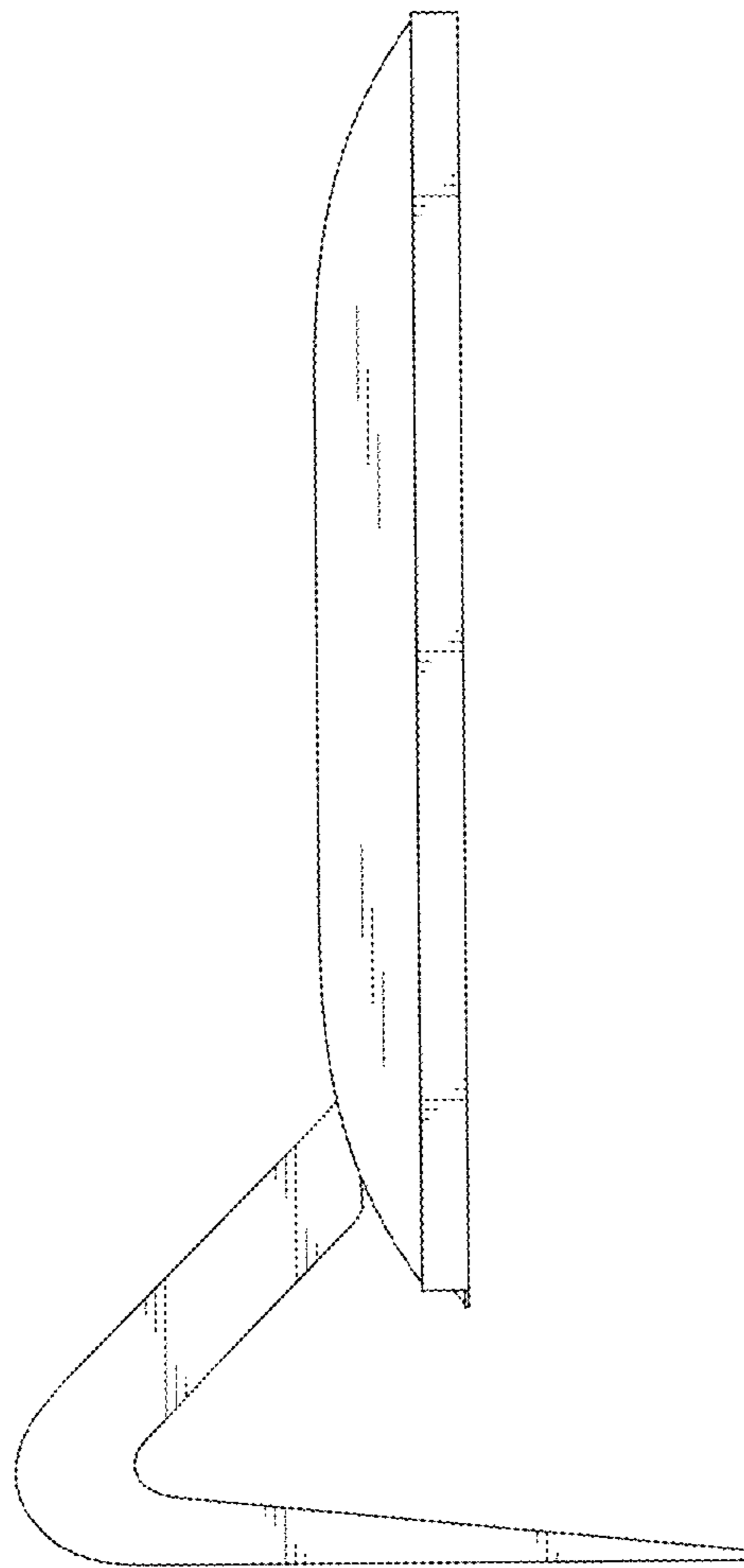


FIG. 5

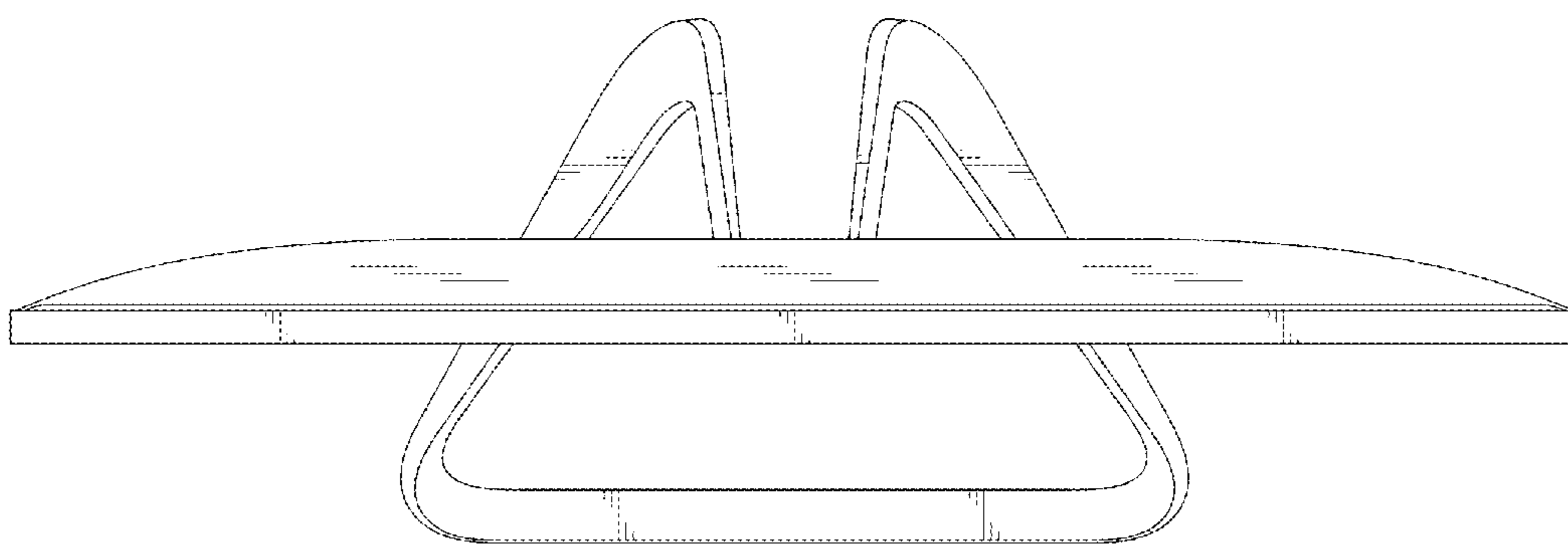


FIG. 6

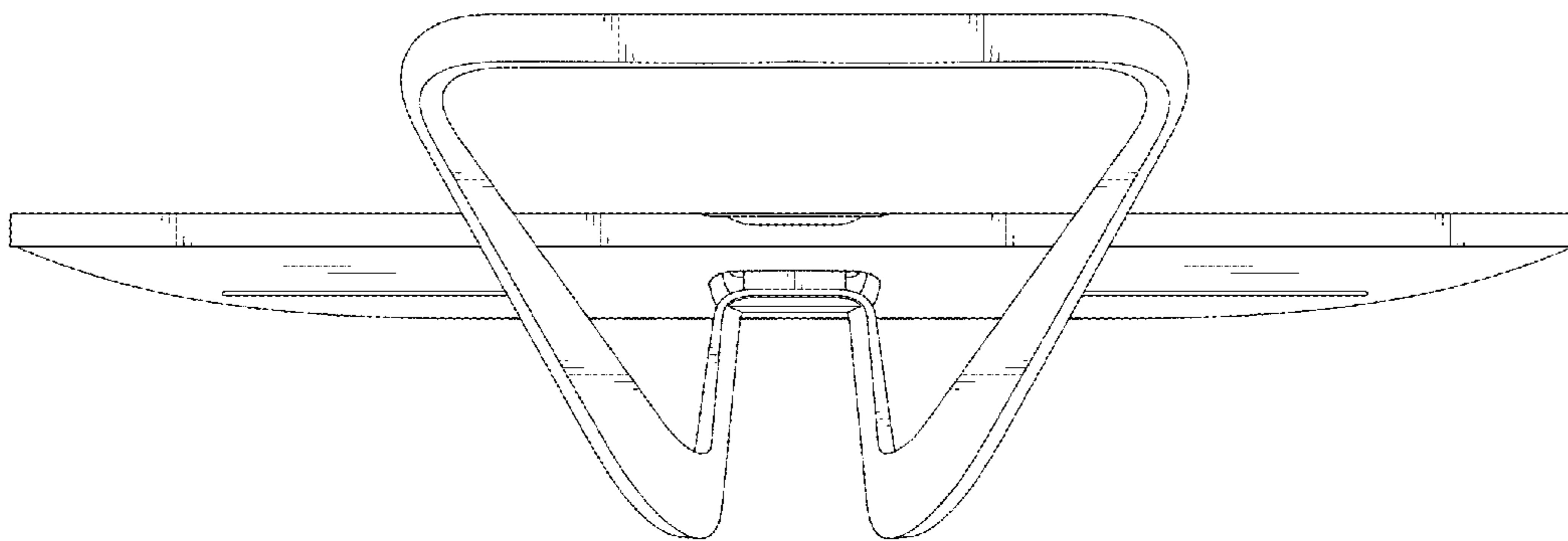


FIG. 7

