



US00D705224S

(12) **United States Design Patent**
Govindasamy et al.

(10) **Patent No.:** **US D705,224 S**
(45) **Date of Patent:** **** May 20, 2014**

(54) **WIRELESS ACCESSING DEVICE**

FOREIGN PATENT DOCUMENTS

(71) Applicant: **Aruba Networks, Inc.**, Sunnyvale, CA (US)

CN 301319864 * 8/2010
CN 302594318 * 10/2013
KR 300635367.0000 * 3/2012

(72) Inventors: **Gururaj Govindasamy**, San Ramon, CA (US); **Kenneth S. Mak**, San Francisco, CA (US)

OTHER PUBLICATIONS

(73) Assignee: **Aruba Networks, Inc.**, Sunnyvale, CA (US)

Logitech P710e mobile speakerphone lets you conference like a pro. [online]. IDG Consumer & SMB, 2013 [retrieved on Dec. 30, 2013]. Retrieved from the Internet: <URL: <http://www.pcworld.com/article/2056541/logitech-p710e-mobile-speakerphone-lets-you-conference-like-a-pro.html>>.*

(**) Term: **14 Years**

(Continued)

(21) Appl. No.: **29/448,488**

Primary Examiner — Richard E Chilcot

(22) Filed: **Mar. 12, 2013**

Assistant Examiner — John Eberhart

(51) **LOC (10) Cl.** **14-02**

(74) *Attorney, Agent, or Firm* — Varun A. Shah

(52) **U.S. Cl.**

(57) **CLAIM**

USPC **D14/358**; D14/356

We claim the ornamental design for a wireless accessing device, substantially as shown and described.

(58) **Field of Classification Search**

DESCRIPTION

CPC G10K 11/1788; G10K 2210/1282;
G10K 2210/112; G10K 2210/1081

USPC 361/679.08; 381/71-71.9; D13/103,
D13/110, 177; D14/125, 140.2, 149, 188,
D14/203.3, 231, 240, 256, 356-365, 435,
D14/440

See application file for complete search history.

FIG. 1 is a front, left and top perspective view of a wireless accessing device in accordance with the present design.

FIG. 2 is a rear, right and top perspective view of the wireless accessing device shown in FIG. 1.

FIG. 3 is a front elevation of the wireless accessing device shown in FIG. 1.

FIG. 4 is a right side elevation of the wireless accessing device shown in FIG. 1.

FIG. 5 is a rear elevation of the wireless accessing device shown in FIG. 1.

FIG. 6 is a left side elevation of the wireless accessing device shown in FIG. 1.

FIG. 7 is a top plan view of the wireless accessing device shown in FIG. 1; and,

FIG. 8 is a bottom plan view of the wireless accessing device shown in FIG. 1.

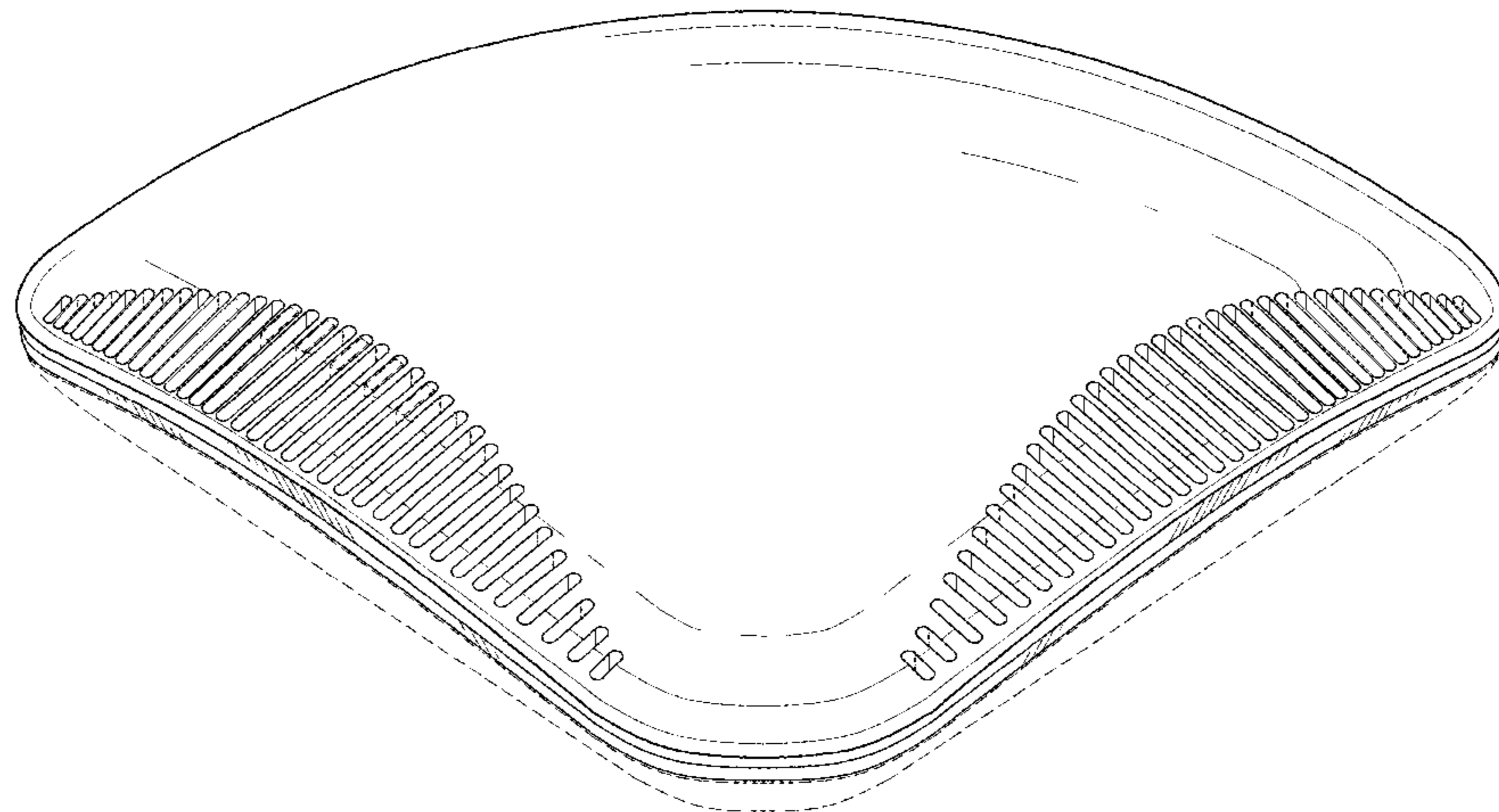
(56) **References Cited**

U.S. PATENT DOCUMENTS

D75,571 S	6/1928	Lawrence et al.
D307,274 S	4/1990	Sasaki et al.
D320,023 S	9/1991	Gault
D430,563 S	9/2000	Chen
6,147,589 A	11/2000	Ohmura
D437,592 S	2/2001	DeLeon
D445,791 S	7/2001	Ito et al.
D448,353 S	9/2001	Chang
D451,919 S	12/2001	Abboud

(Continued)

1 Claim, 5 Drawing Sheets



(56)

References Cited

U.S. PATENT DOCUMENTS

D462,954 S 9/2002 Chen
 D463,411 S 9/2002 Stokes et al.
 D470,464 S 2/2003 Loiske et al.
 D471,183 S 3/2003 Wang et al.
 D487,079 S 2/2004 Asawa
 D508,898 S 8/2005 Gargani et al.
 D514,562 S 2/2006 Lu et al.
 D518,640 S 4/2006 Hoofnagle
 7,256,996 B2 8/2007 Egbert et al.
 D576,581 S * 9/2008 Son et al. D14/502
 D583,367 S 12/2008 Chen
 D596,173 S 7/2009 Arfin
 D597,543 S * 8/2009 Urban D14/356
 D598,449 S * 8/2009 Landry et al. D14/358
 D604,724 S 11/2009 Vorreiter et al.
 D625,719 S 10/2010 Carroll et al.

D627,345 S 11/2010 Govindasamy et al.
 D655,263 S * 3/2012 Tsai D14/125
 D660,839 S * 5/2012 Govindasamy et al. D14/358
 D662,918 S * 7/2012 Ikeda et al. D14/240
 D664,126 S * 7/2012 Feit D14/230
 D677,635 S * 3/2013 Ling et al. D13/177
 2003/0081377 A1 5/2003 Lin
 2007/0018067 A1 1/2007 Huang

OTHER PUBLICATIONS

Auto / Manually Scan DVB-T2 Digital Receiver Box USB Media Player, Set Top Box DVB-T2,120. [online]. stbreceiver.com, 2013 [retrieved on Dec. 30, 2013]. Retrieved from the Internet: <URL: http://www.stbreceiver.com/china-auto_manually_scan_dvb_t2_digital_receiver_box_usb_media_player_set_top_box-936840.html>.*

* cited by examiner

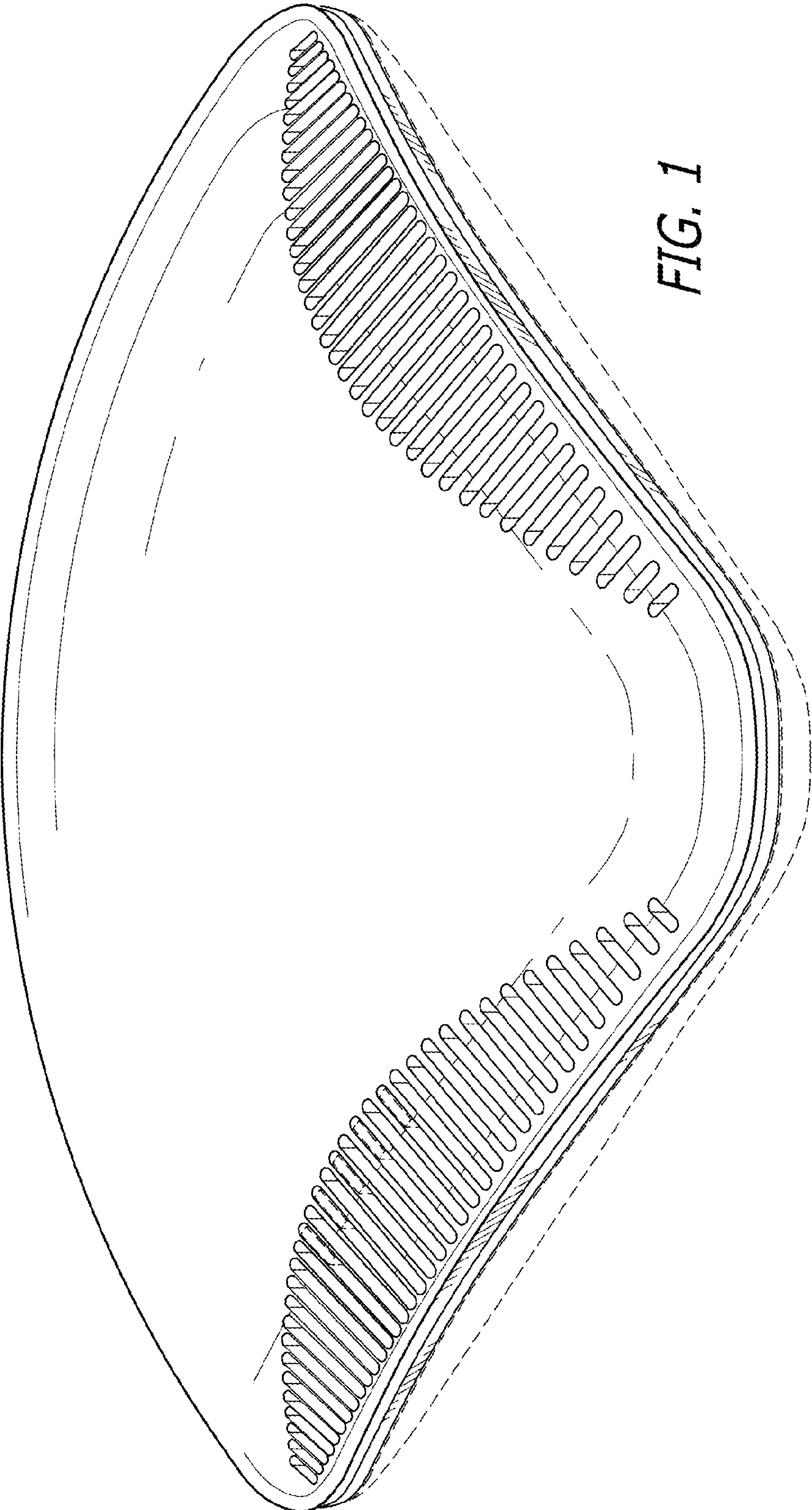


FIG. 1

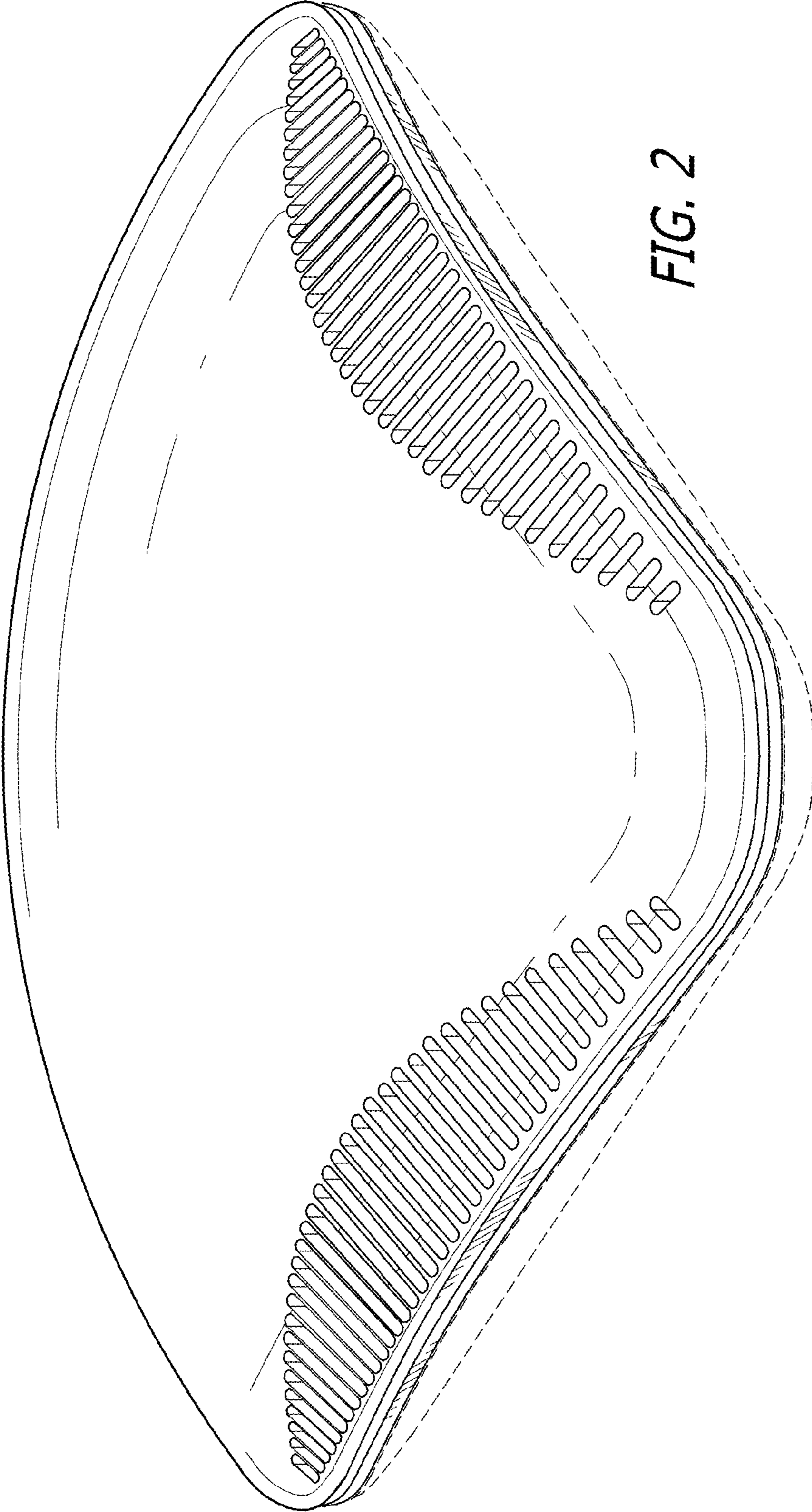


FIG. 2

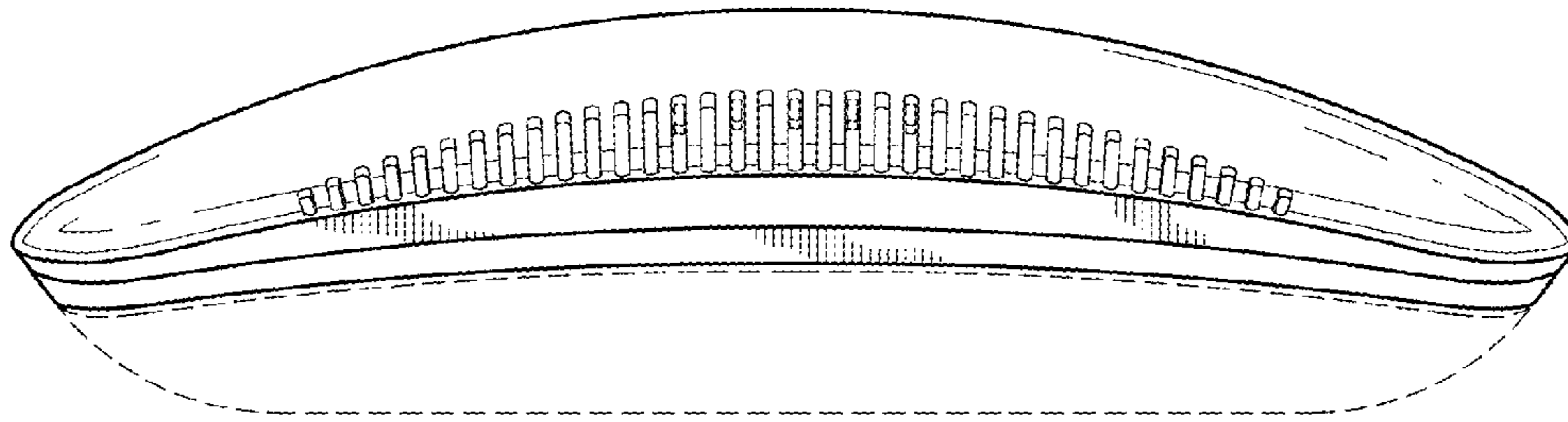


FIG. 3

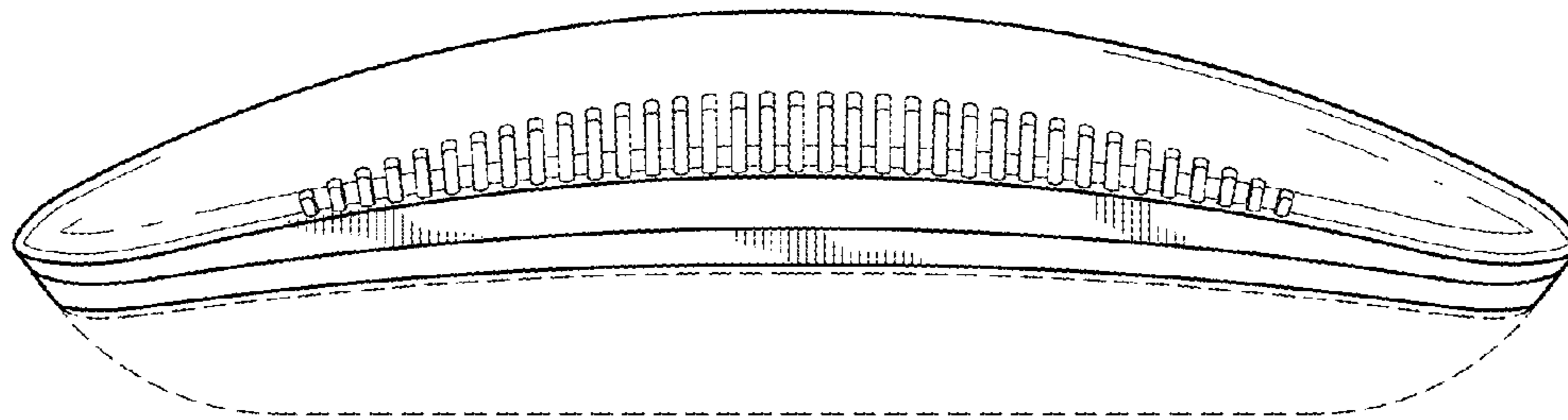


FIG. 4

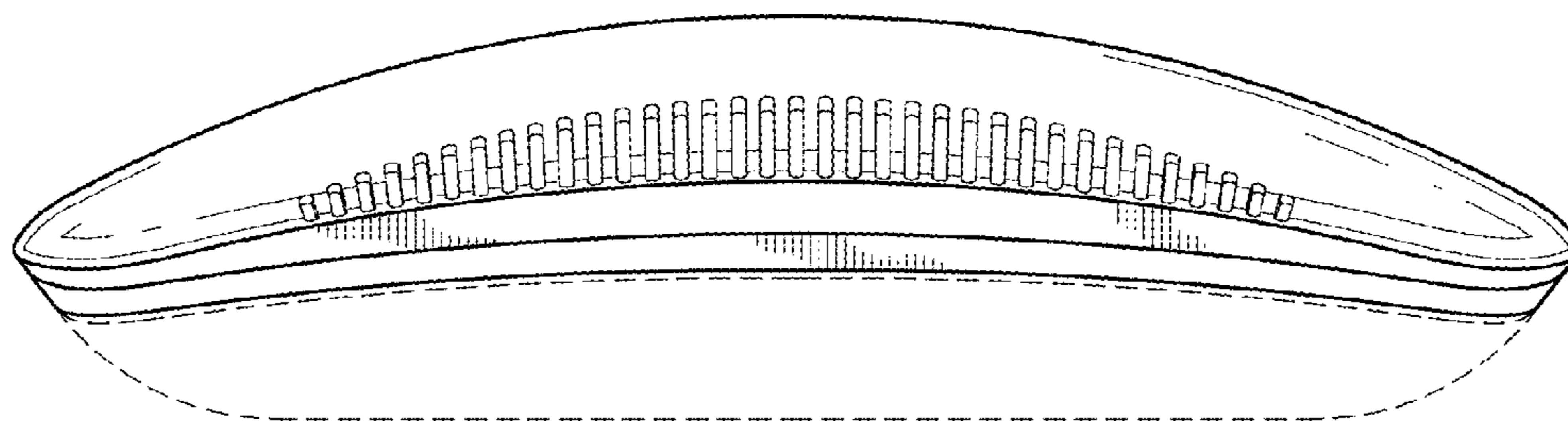


FIG. 5

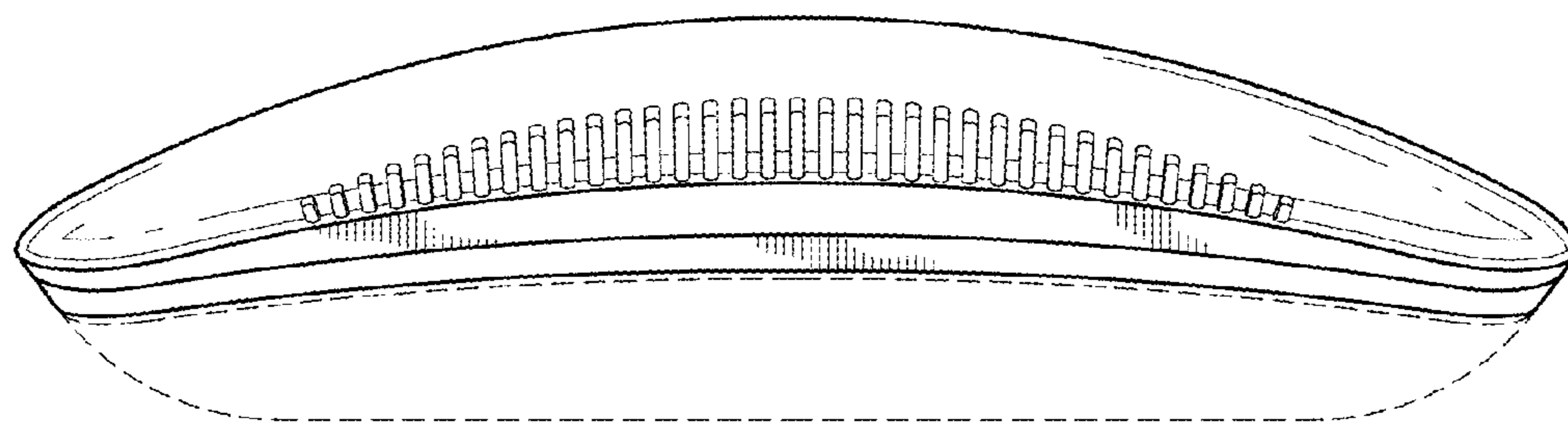


FIG. 6

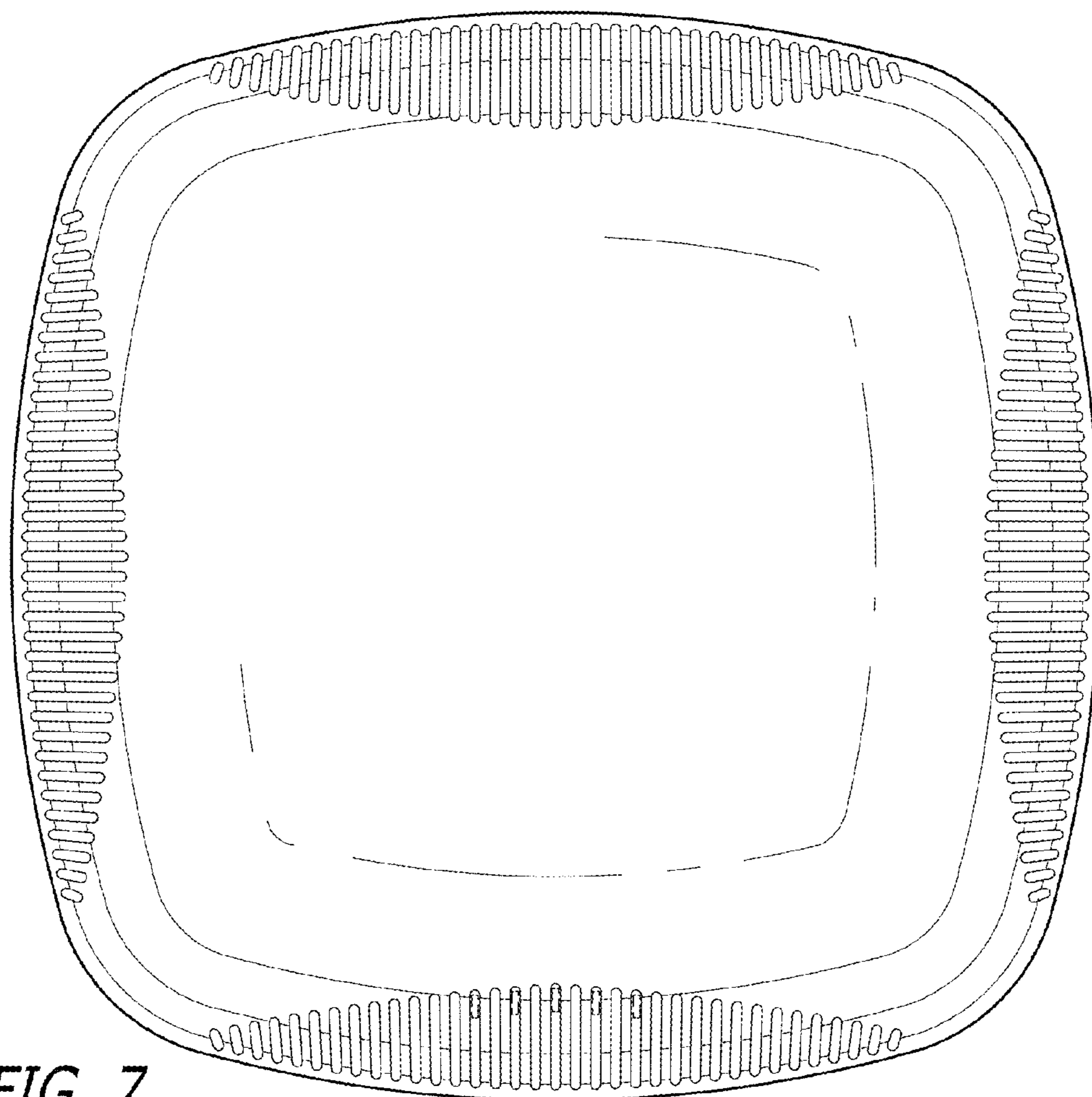


FIG. 7

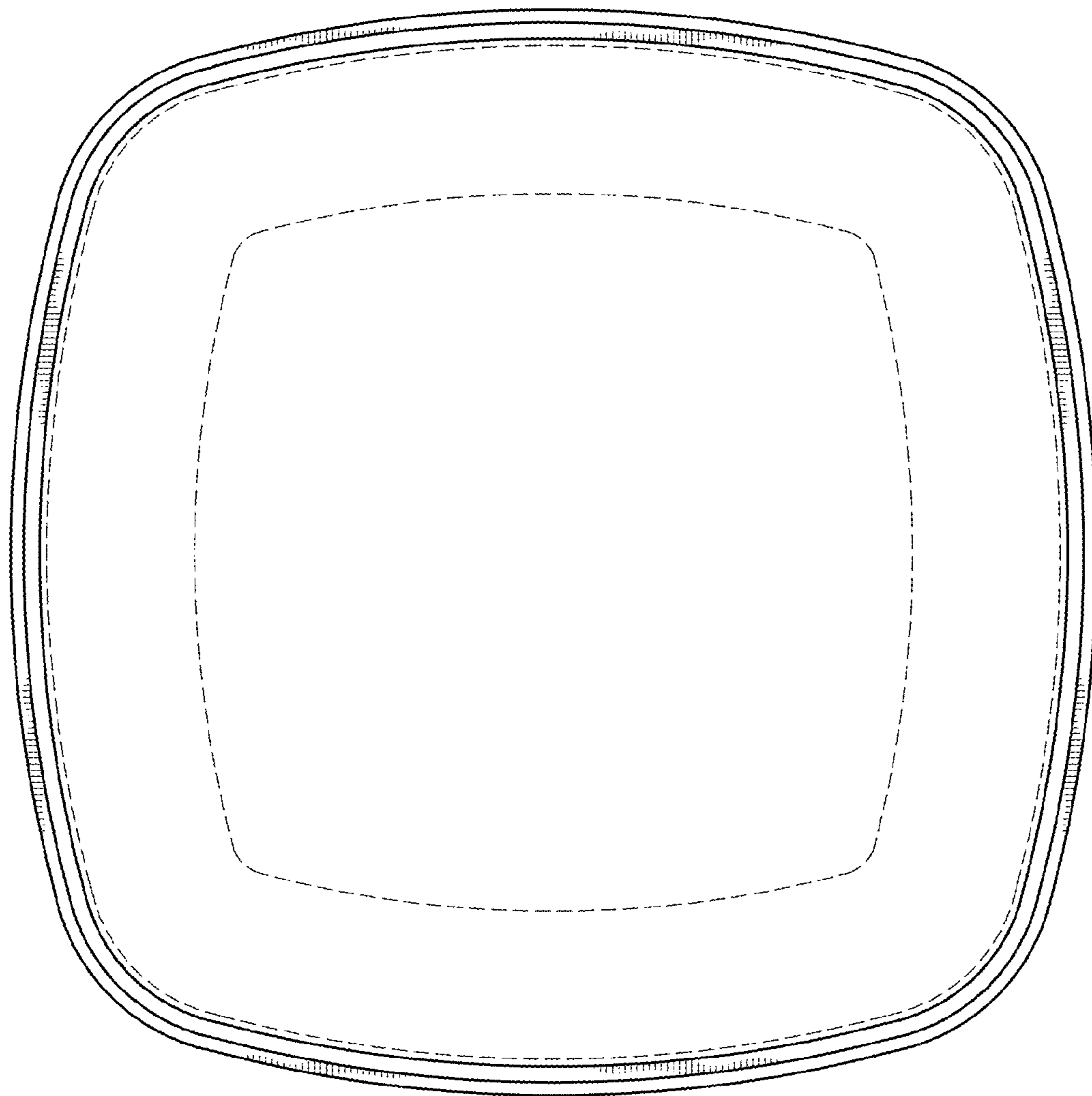


FIG. 8