



US00D705221S

(12) **United States Design Patent**
Hong et al.

(10) **Patent No.:** **US D705,221 S**

(45) **Date of Patent:** **** May 20, 2014**

(54) **NOTEBOOK COMPUTER**

(71) Applicant: **Samsung Electronics Co., Ltd.**,
Suwon-si (KR)

(72) Inventors: **Jung-Hwan Hong**, Seoul (KR);
Jung-Suk Chae, Seoul (KR)

(73) Assignee: **Samsung Electronics Co., Ltd.**,
Suwon-si (KR)

(**) Term: **14 Years**

(21) Appl. No.: **29/447,450**

(22) Filed: **Mar. 4, 2013**

(30) **Foreign Application Priority Data**

Sep. 5, 2012 (KR) 30-2012-0042605

(51) **LOC (10) Cl.** **14-02**

(52) **U.S. Cl.**
USPC **D14/315**

(58) **Field of Classification Search**
USPC D14/315-327, 439; D18/1, 2, 7, 11;
235/145 A, 145 R; 341/22, 23; 345/104,
345/156, 168, 169, 173; 361/679.08,
361/679.09, 679.11, 679.26, 679.27;
16/367

See application file for complete search history.

(56) **References Cited**

U.S. PATENT DOCUMENTS

6,091,600 A * 7/2000 Jeong 361/679.12
7,187,537 B2 * 3/2007 Liao 361/679.09
D593,086 S * 5/2009 Behar et al. D14/327
7,894,184 B2 * 2/2011 Huang et al. 361/679.48

2005/0041378 A1 * 2/2005 Hamada et al. 361/680
2008/0073344 A1 * 3/2008 Kung et al. 220/230
2010/0165567 A1 * 7/2010 Shih et al. 361/679.48

* cited by examiner

Primary Examiner — Freda S Nunn

(74) *Attorney, Agent, or Firm* — NSIP Law

(57) **CLAIM**

The ornamental design for a notebook computer, as shown and described.

DESCRIPTION

FIG. 1 is a front perspective view of a notebook computer; FIG. 2 is a front view of the notebook computer of FIG. 1; FIG. 3 is a rear view of the notebook computer of FIG. 1; FIG. 4 is a left-side view of the notebook computer of FIG. 1; FIG. 5 is a right-side view of the notebook computer of FIG. 1; FIG. 6 is a top plan view of the notebook computer of FIG. 1; FIG. 7 is a bottom plan view of the notebook computer of FIG. 1; FIG. 8 is an open perspective view of the notebook computer of FIG. 1; FIG. 9 is a partial enlarged view of FIG. 1 that is included to more clearly depict the design from the front perspective view (a-a', b-b', c-c', d-d') of FIG. 1; and, FIG. 10 is a partial enlarged view of FIG. 8 that is included to more clearly depict the design from the open perspective view (e-e', f-f', g-g', h-h") of FIG. 8.

The dash-dot-dash broken lines immediately adjacent to the shaded areas and solid lines in the design represent an unclaimed boundary of the design while all other remaining features shown in broken lines in FIGS. 1-10 are shown for environment only and form no part of the claimed design.

1 Claim, 8 Drawing Sheets

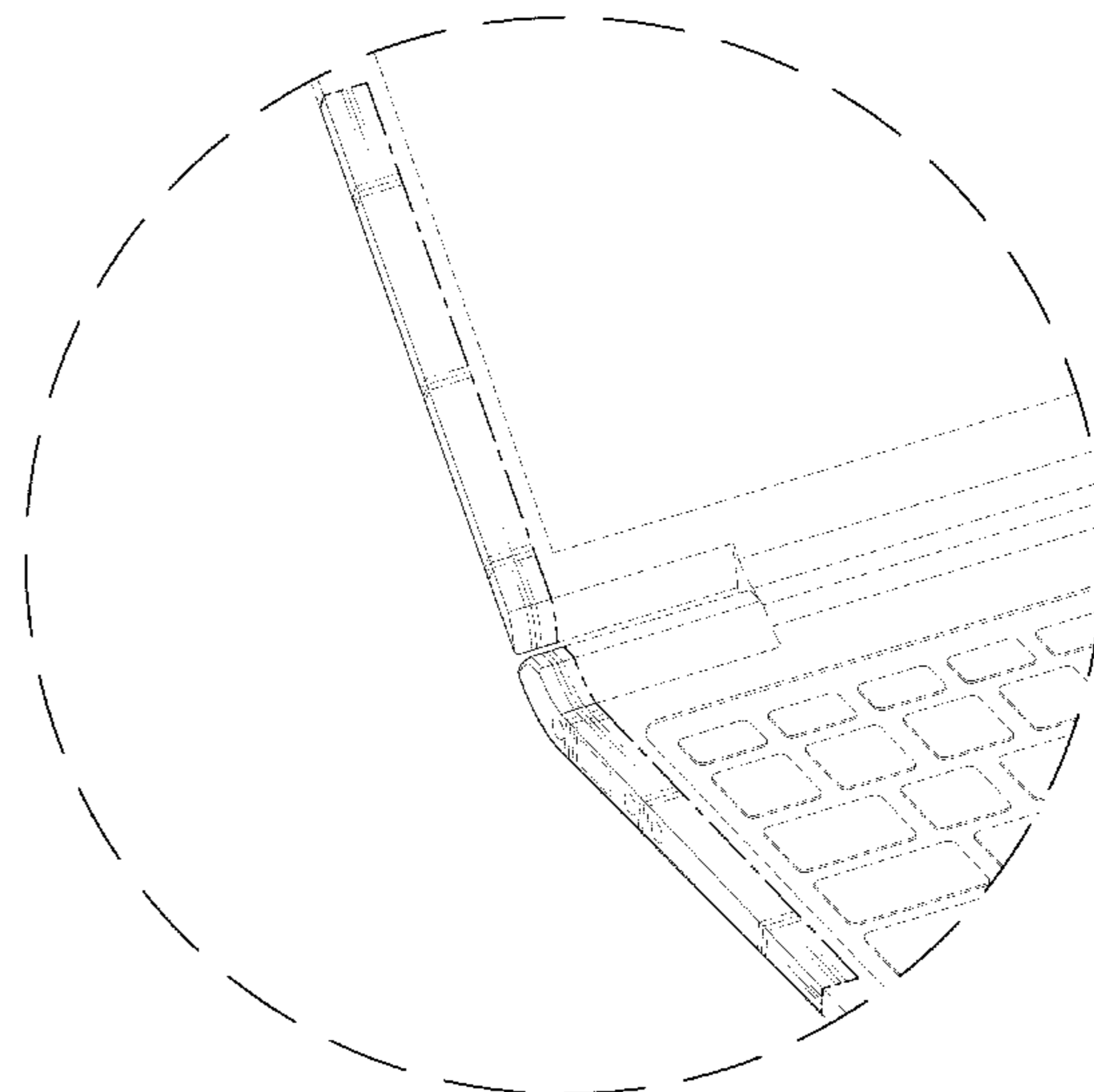
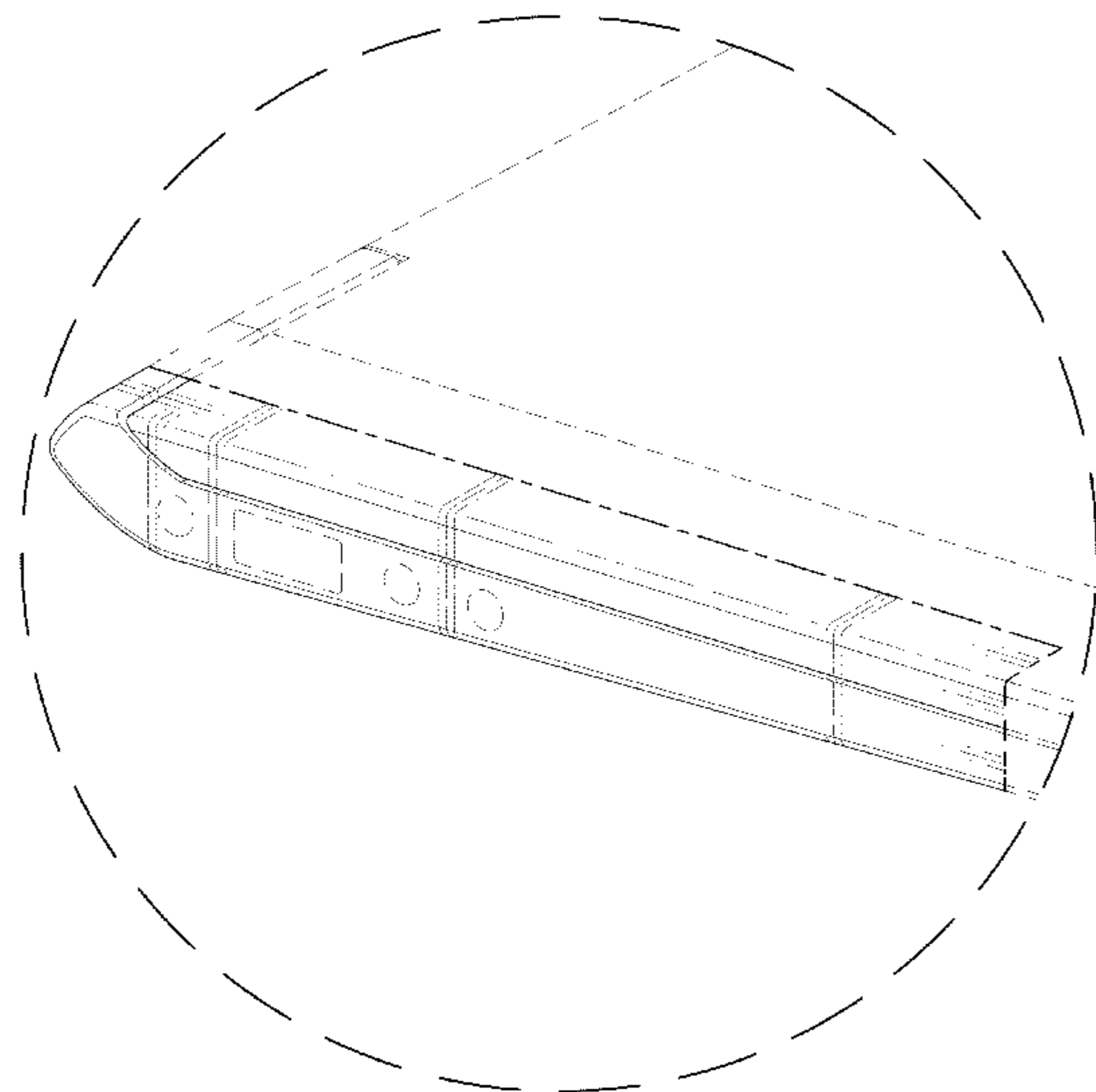


FIG. 1

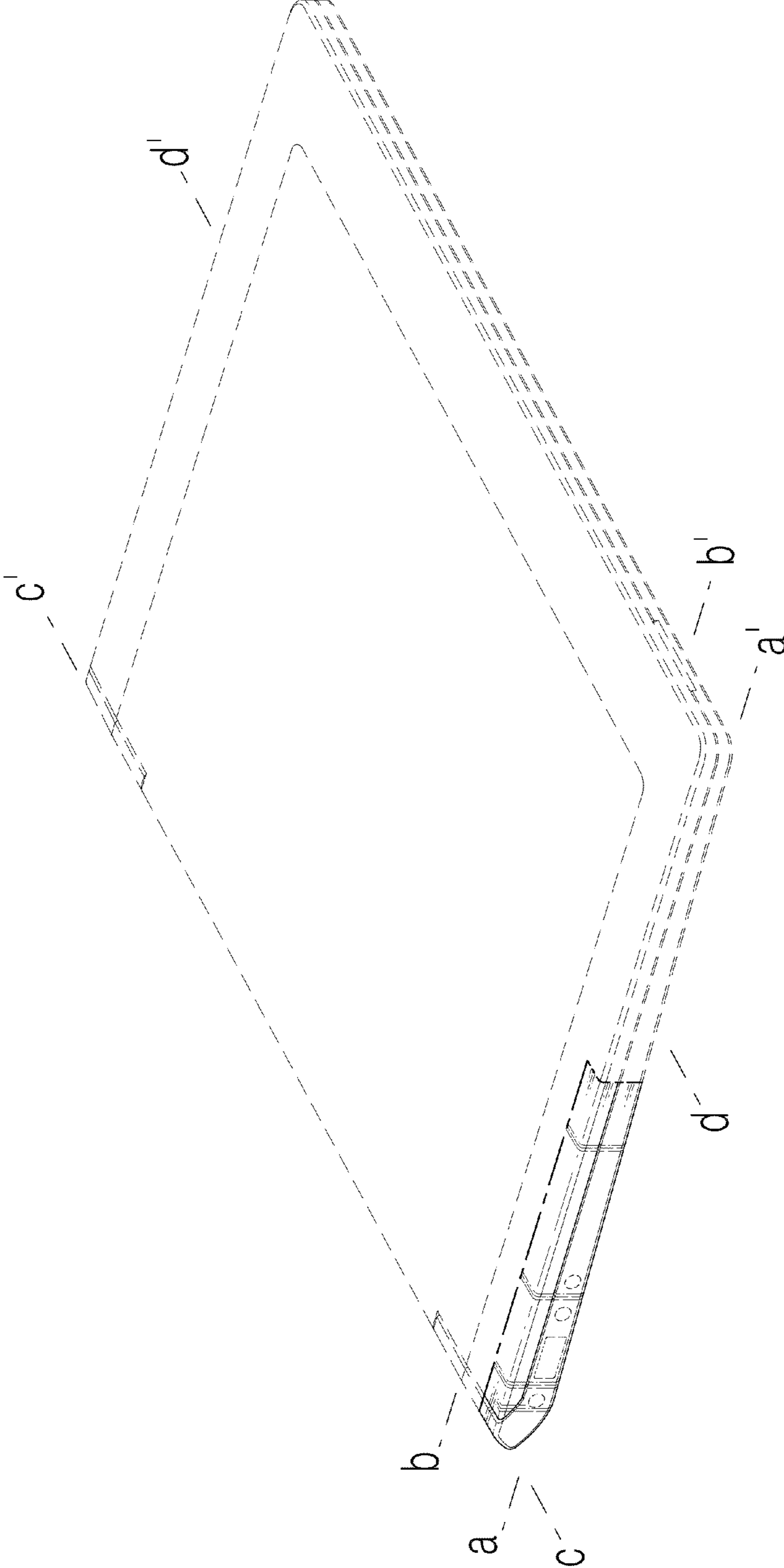


FIG. 2



FIG. 3



FIG. 4

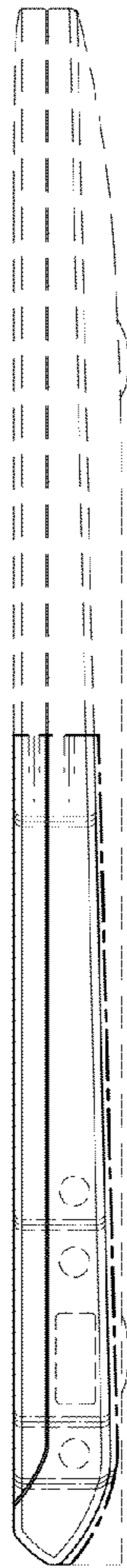


FIG. 5



FIG. 6

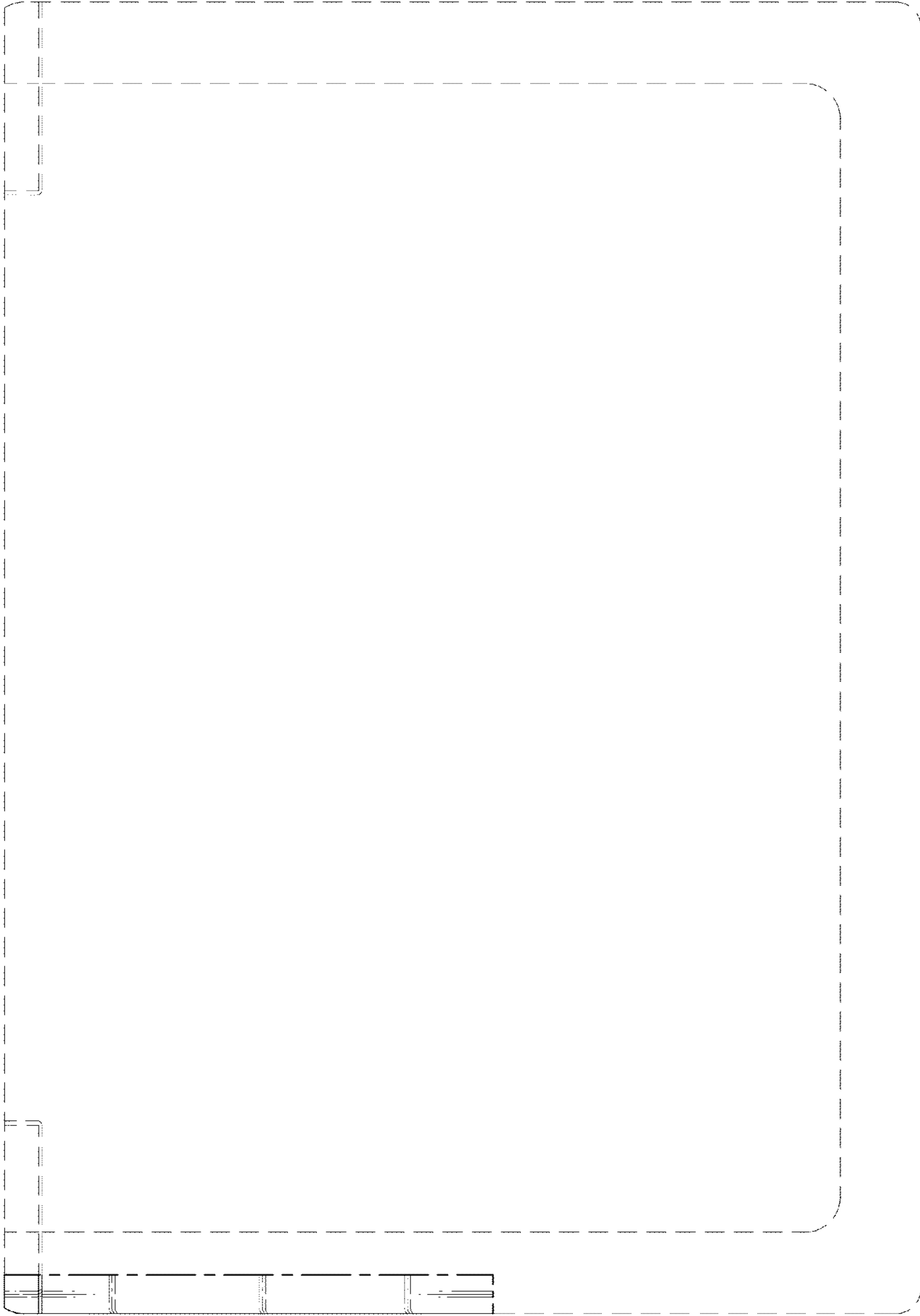


FIG. 7

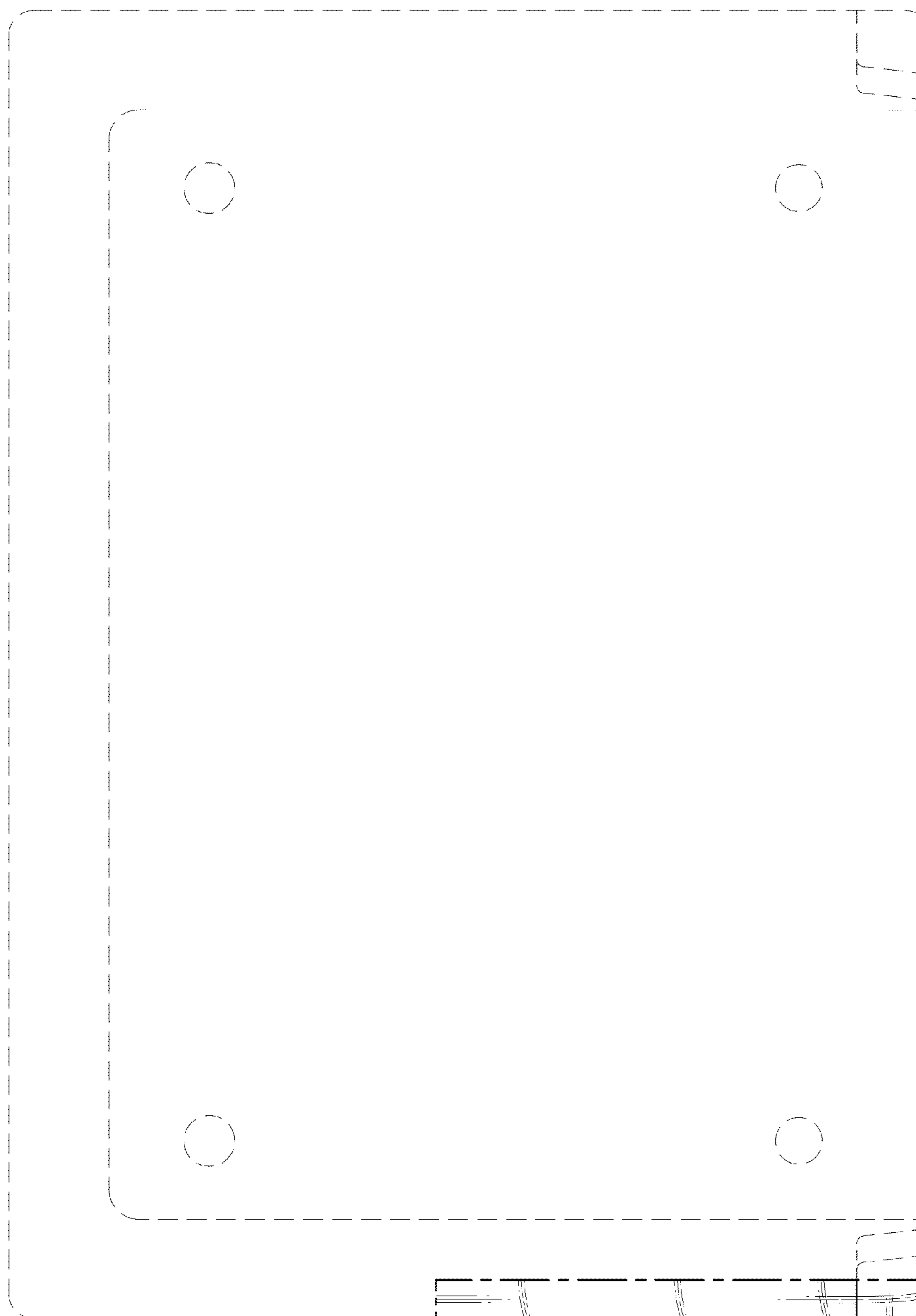


FIG. 8

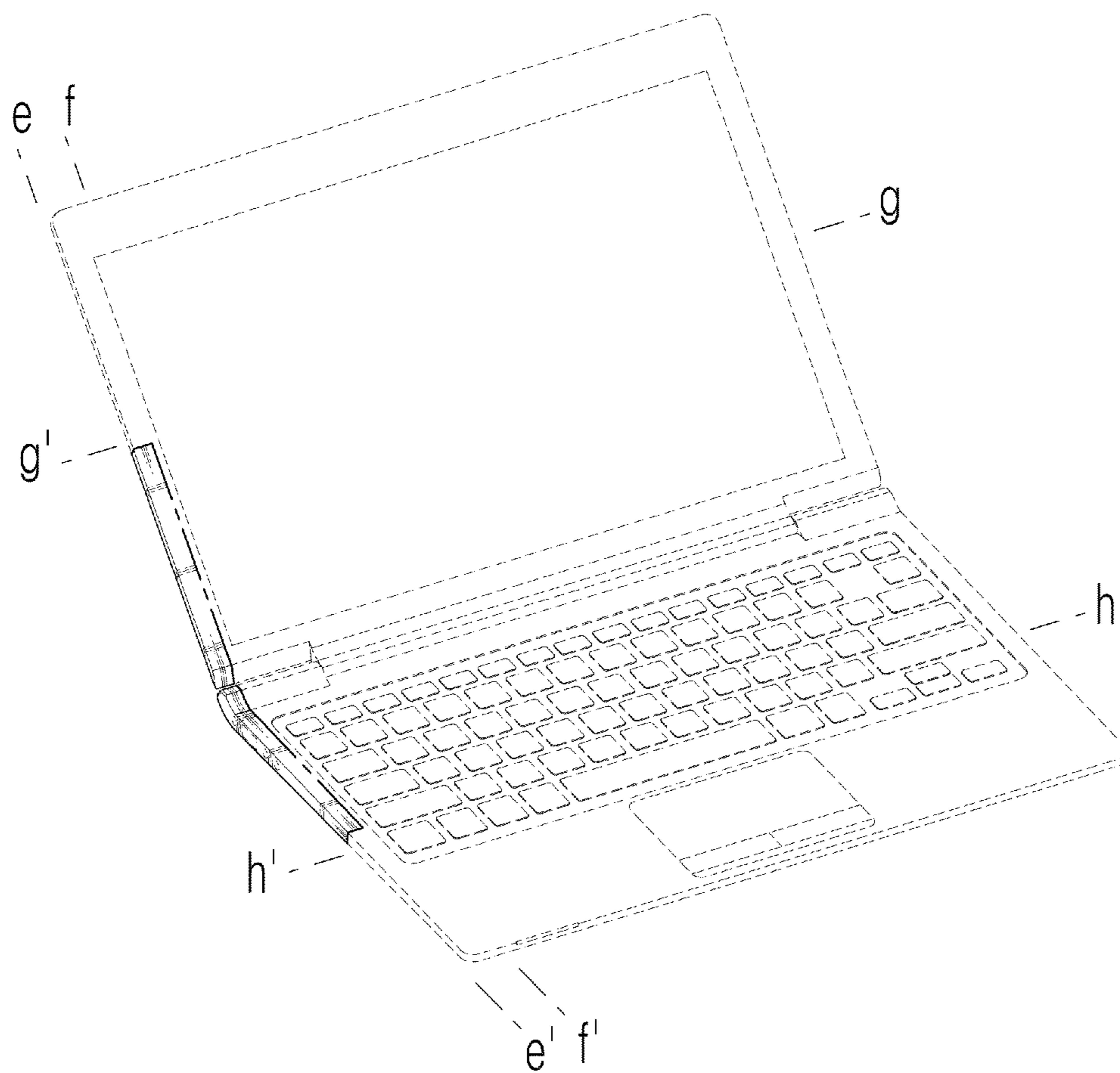


FIG. 9

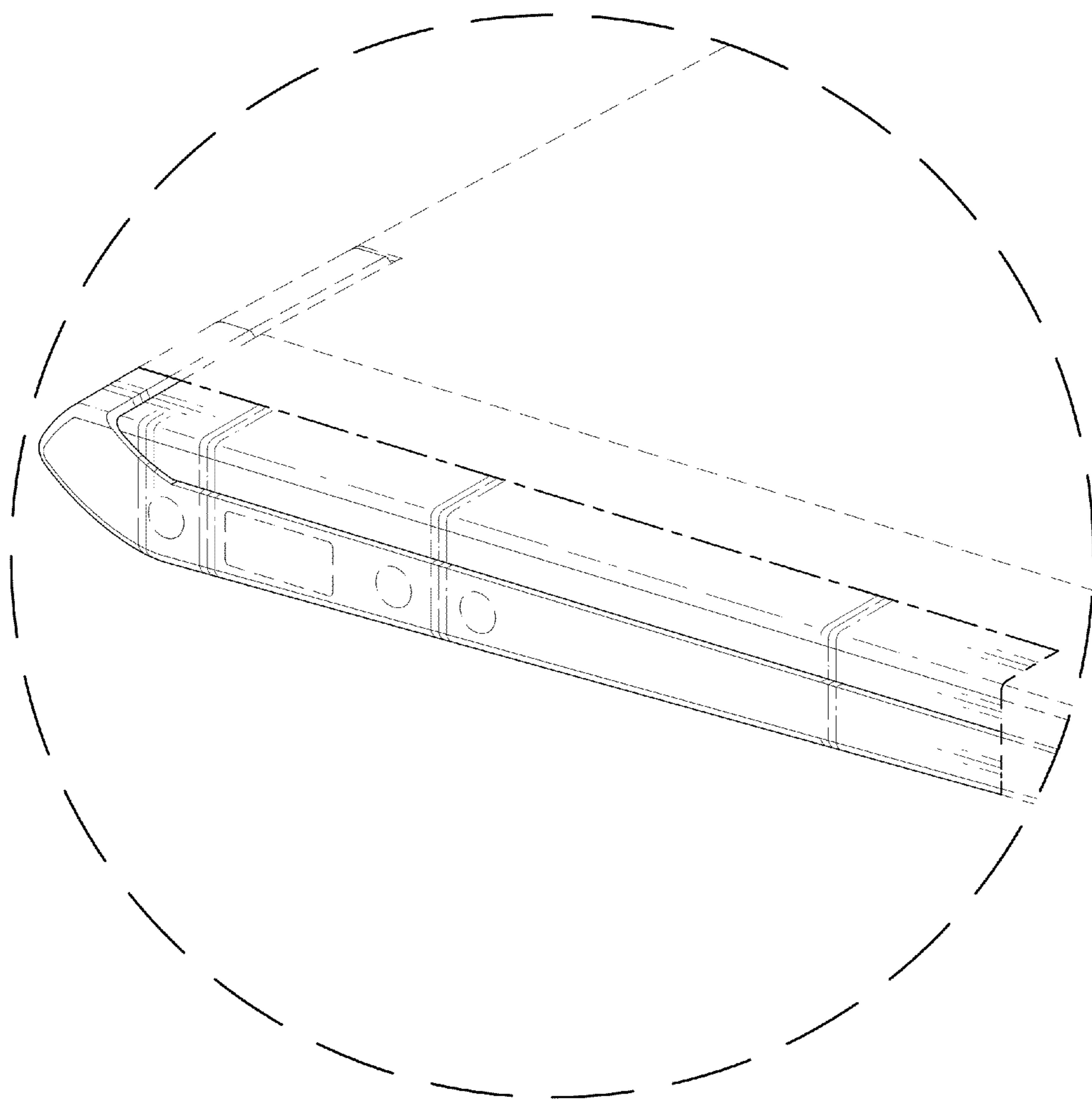


FIG. 10

