



US00D705219S

(12) **United States Design Patent**  
**Martin et al.**

(10) **Patent No.:** **US D705,219 S**  
(45) **Date of Patent:** **\*\* May 20, 2014**

(54) **COMPUTING DEVICE**

(71) Applicant: **Hewlett-Packard Development Company, L.P.**, Houston, TX (US)  
(72) Inventors: **Randall W. Martin**, The Woodlands, TX (US); **Morten V. Warren**, Cobham (GB); **Seong Min Hwang**, London (GB)  
(73) Assignee: **Hewlett-Packard Development Company, L.P.**, Houston, TX (US)  
(\*\*) Term: **14 Years**

(21) Appl. No.: **29/443,653**  
(22) Filed: **Jan. 21, 2013**  
(51) **LOC (10) Cl.** ..... **14-02**  
(52) **U.S. Cl.**  
USPC ..... **D14/315**  
(58) **Field of Classification Search**  
USPC ..... D14/315-327; D18/1, 2, 7, 11; 235/145 A, 145 R; 341/22, 23; 345/104, 345/156, 168, 169, 173; 361/679.08, 361/679.09, 679.11, 679.26, 679.27  
See application file for complete search history.

(56) **References Cited**

U.S. PATENT DOCUMENTS  
6,480,373 B1 \* 11/2002 Landry et al. .... 361/679.06  
D586,797 S \* 2/2009 Kawase et al. .... D14/315  
D631,040 S \* 1/2011 Yoon et al. .... D14/327  
D631,879 S \* 2/2011 Kawase ..... D14/327  
2011/0255727 A1 \* 10/2011 Azuchi ..... 381/333  
\* cited by examiner

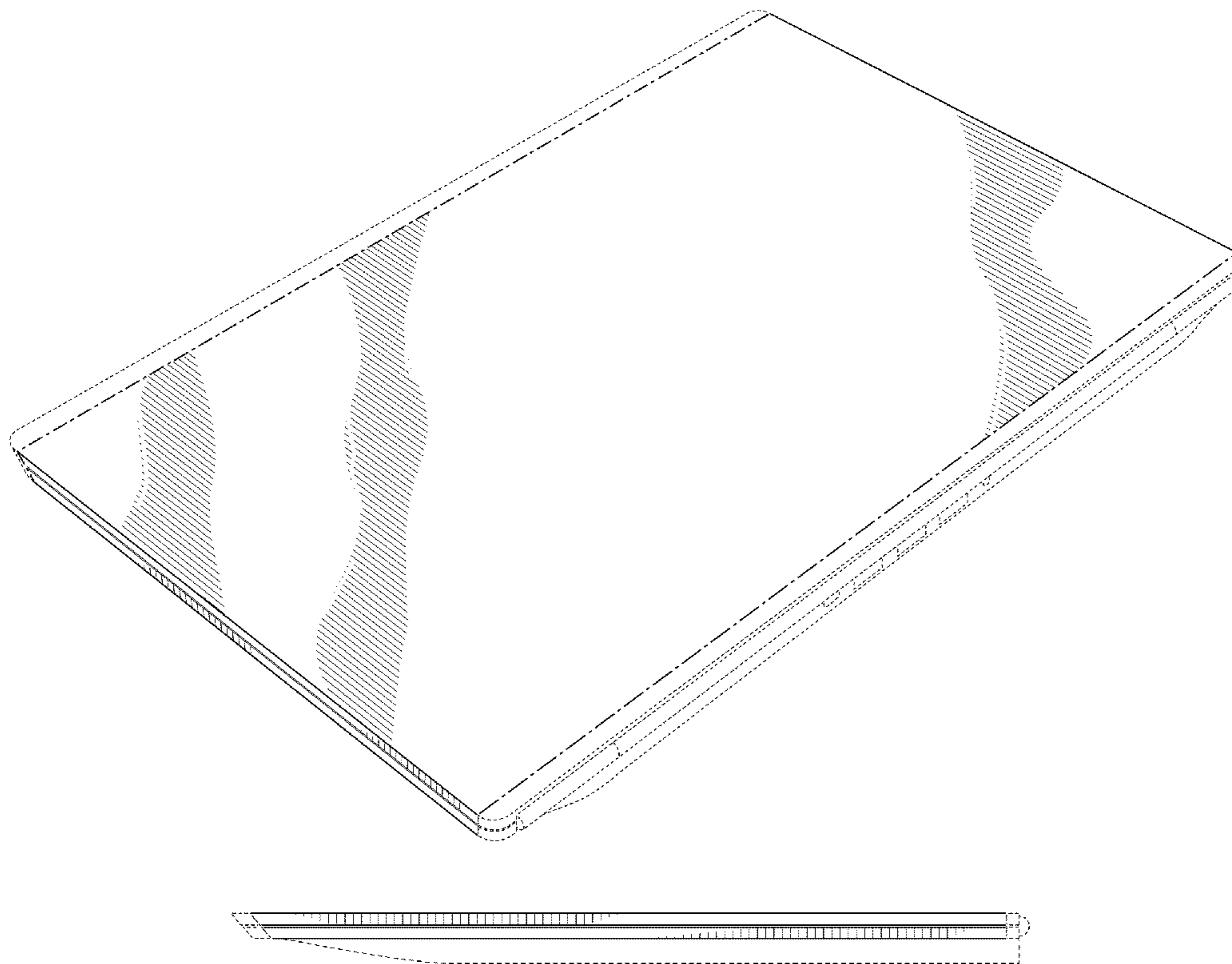
*Primary Examiner* — Freda S Nunn

(57) **CLAIM**  
We claim the ornamental design for a computing device, as shown and described.

**DESCRIPTION**

FIG. 1 is a rear perspective view of a computing device; FIG. 2 is a front perspective view thereof showing the computer device in an open state; FIG. 3 is a top view thereof; FIG. 4 is bottom view thereof; FIG. 5 is a front view thereof; FIG. 6 is a rear view thereof; FIG. 7 is a right side view thereof; and, FIG. 8 is a left side view thereof.  
The dash-dash broken lines in the drawings are environmental lines which do not form part of the claimed design. The short dash-long dash lines are boundary lines which do not form part of the claimed design.

**1 Claim, 5 Drawing Sheets**



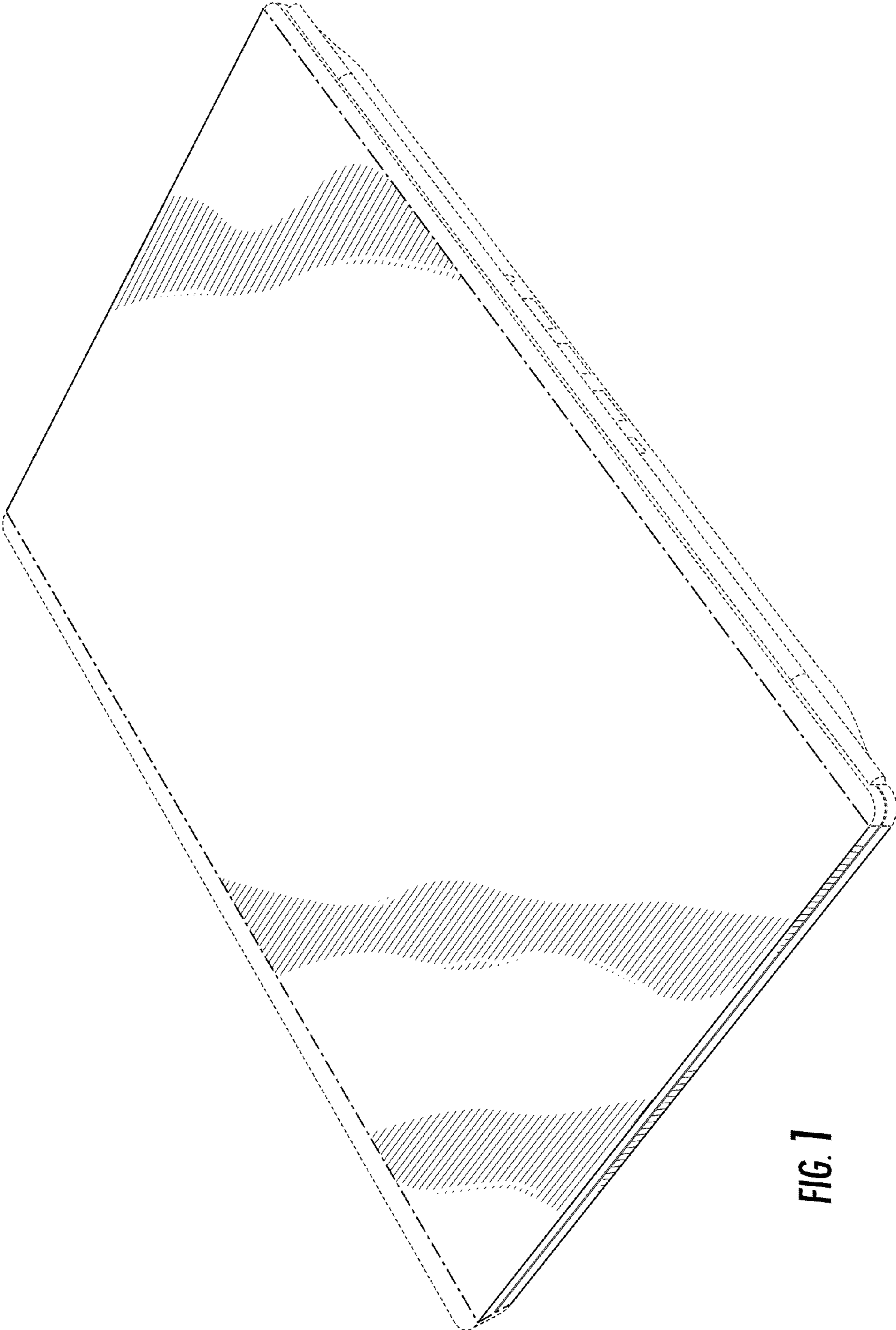


FIG. 1

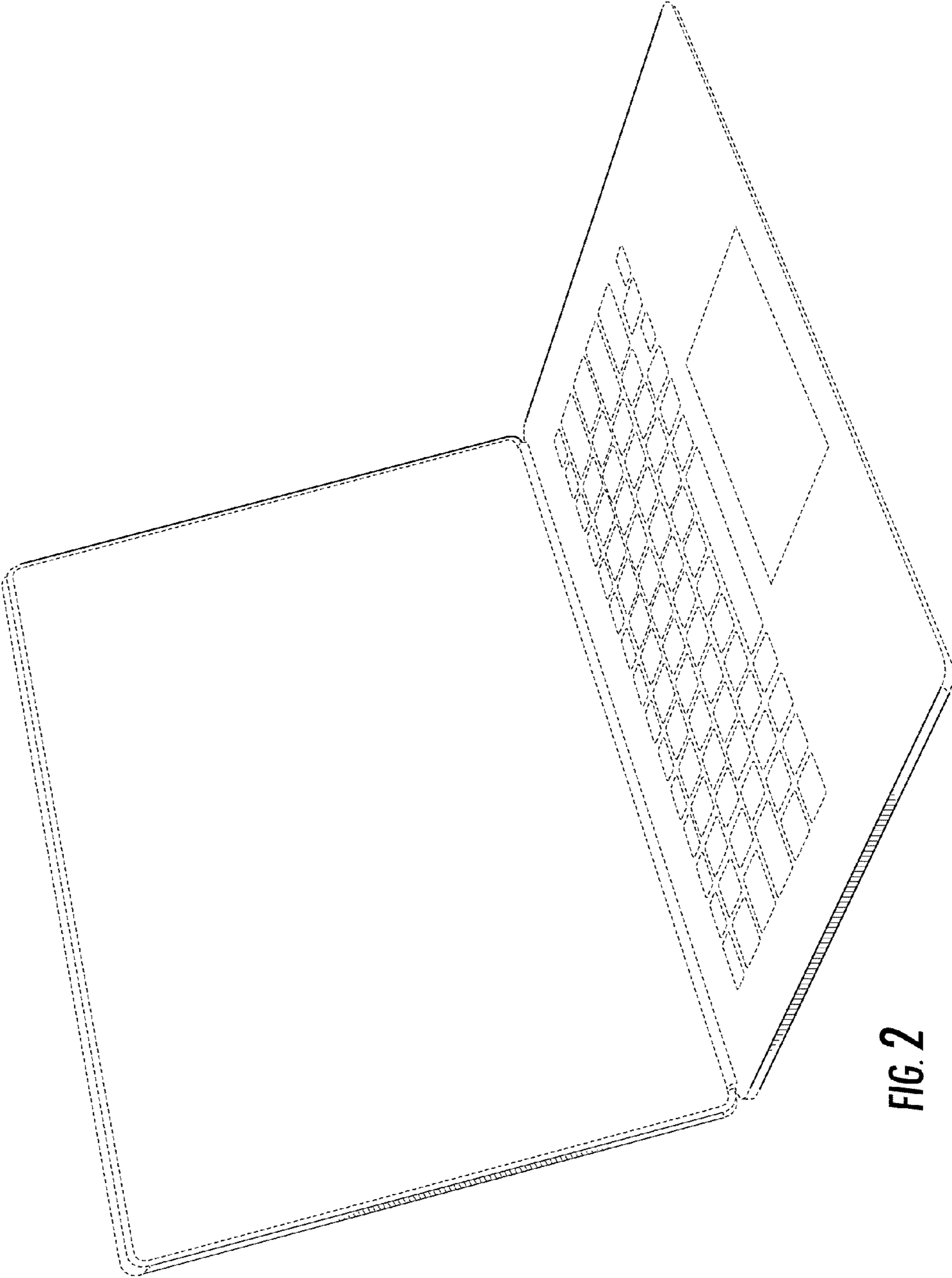


FIG. 2

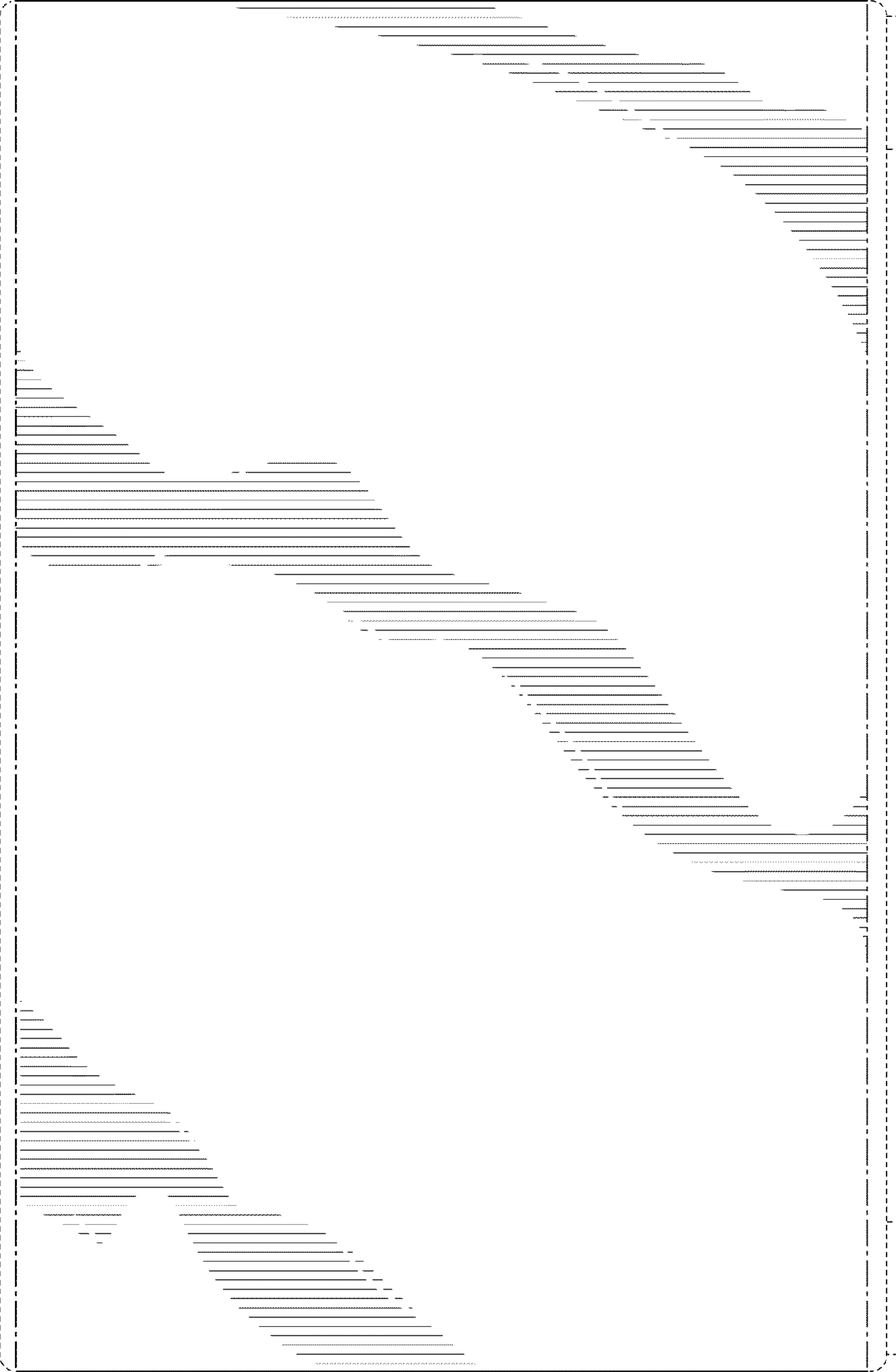


FIG. 3

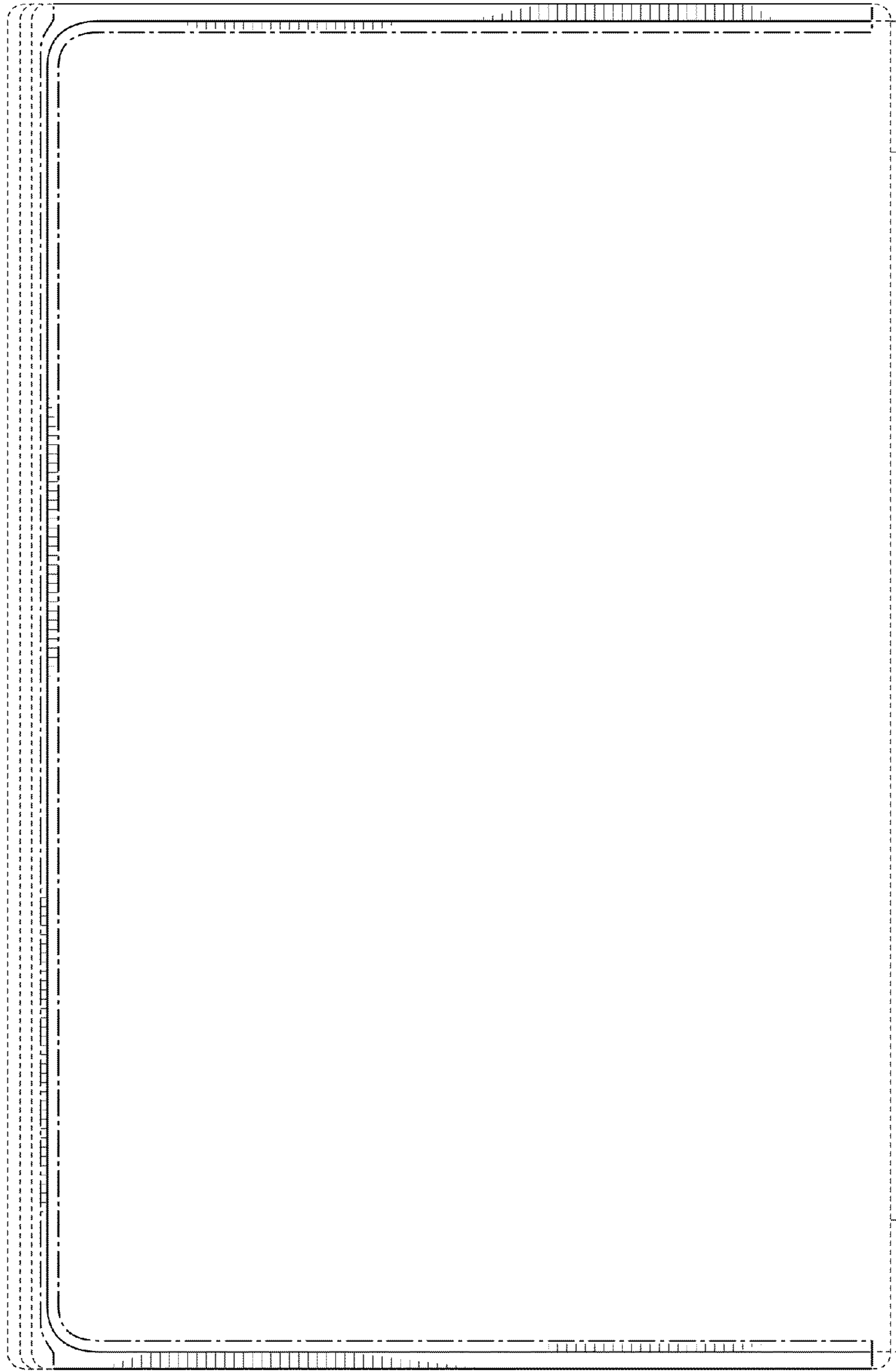


FIG. 4



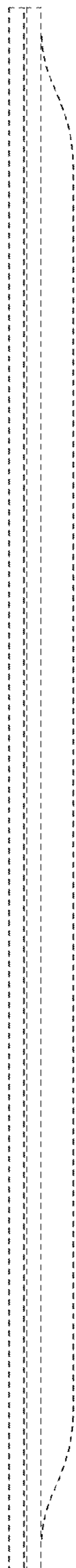


FIG. 5

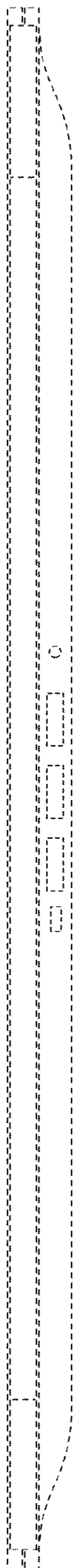


FIG. 6

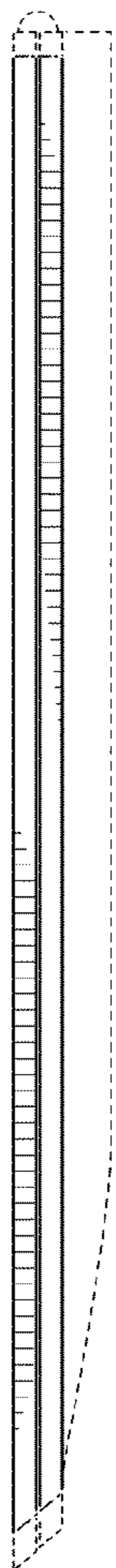


FIG. 7

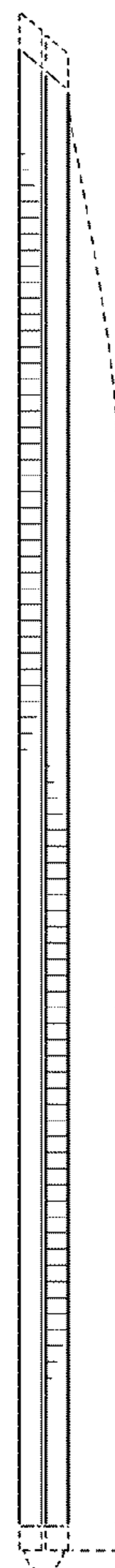


FIG. 8