



US00D705218S

(12) **United States Design Patent**
Chae et al.

(10) **Patent No.:** **US D705,218 S**
(45) **Date of Patent:** **** May 20, 2014**

(54) **NOTEBOOK COMPUTER**

(71) Applicants: **Jung-Suk Chae**, Seoul (KR); **Felix Heck**, Munich (DE)

(72) Inventors: **Jung-Suk Chae**, Seoul (KR); **Felix Heck**, Munich (DE)

(73) Assignee: **Samsung Electronics Co., Ltd.**, Suwon-si (KR)

(**) Term: **14 Years**

(21) Appl. No.: **29/440,774**

(22) Filed: **Dec. 27, 2012**

(30) **Foreign Application Priority Data**

Jul. 6, 2012 (KR) 30-2012-0033082

(51) **LOC (10) Cl.** **14-02**

(52) **U.S. Cl.**
USPC **D14/315**

(58) **Field of Classification Search**
USPC D14/315-327, 439; D18/1, 2, 7, 11;
235/145 A, 145 R; 341/22, 23; 345/104,
345/156, 168, 169, 173; 361/679.08,
361/679.09, 679.11, 679.26, 679.27;
16/367

See application file for complete search history.

(56) **References Cited**

U.S. PATENT DOCUMENTS

6,714,403	B2 *	3/2004	Furuki et al.	361/679.09
D524,306	S *	7/2006	Yun et al.	D14/315
7,164,578	B2 *	1/2007	Wang et al.	361/679.08
D631,471	S *	1/2011	Jensen et al.	D14/315
D649,543	S *	11/2011	Tseng et al.	D14/315
2006/0038795	A1 *	2/2006	Lee	345/173

* cited by examiner

Primary Examiner — Freda S Nunn

(74) *Attorney, Agent, or Firm* — NSIP Law

(57) **CLAIM**

The ornamental design for a notebook computer, as shown and described.

DESCRIPTION

FIG. 1 is a top perspective view of a notebook computer; FIG. 2 is a front view of the notebook computer of FIG. 1; FIG. 3 is a rear view of the notebook computer of FIG. 1; FIG. 4 is a left-side view of the notebook computer of FIG. 1; FIG. 5 is a right-side view of the notebook computer of FIG. 1; FIG. 6 is a top plan view of the notebook computer of FIG. 1; FIG. 7 is a bottom plan view of the notebook computer of FIG. 1; and, FIG. 8 is a partial open perspective view of the notebook computer of FIG. 1; and, FIG. 9 is an open view of the notebook computer of FIG. 1. Features shown in broken lines in FIGS. 1, 2, 3, 4, 5, 6, 7, 8, and 9 form no part of the claimed design.

1 Claim, 7 Drawing Sheets

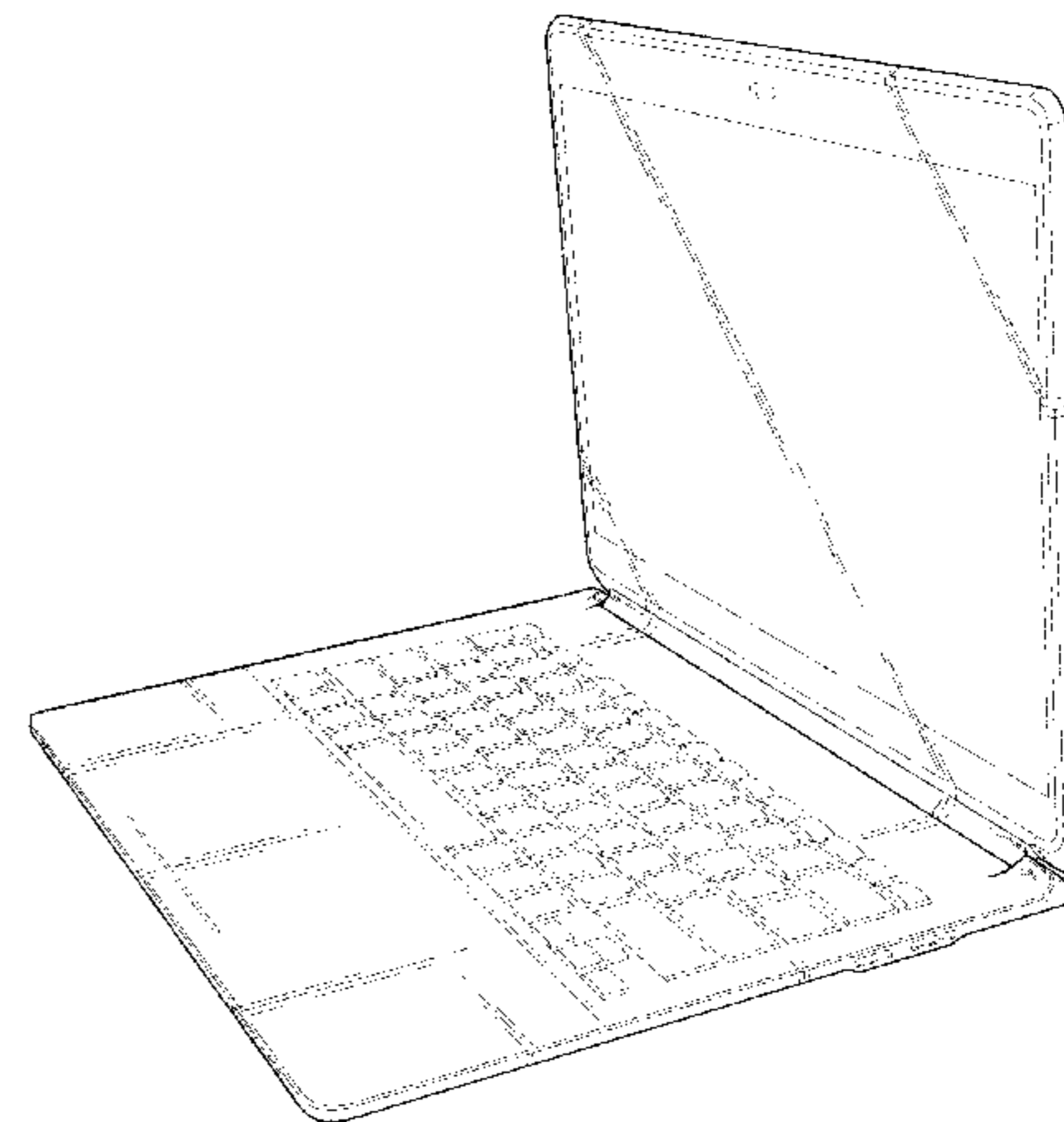
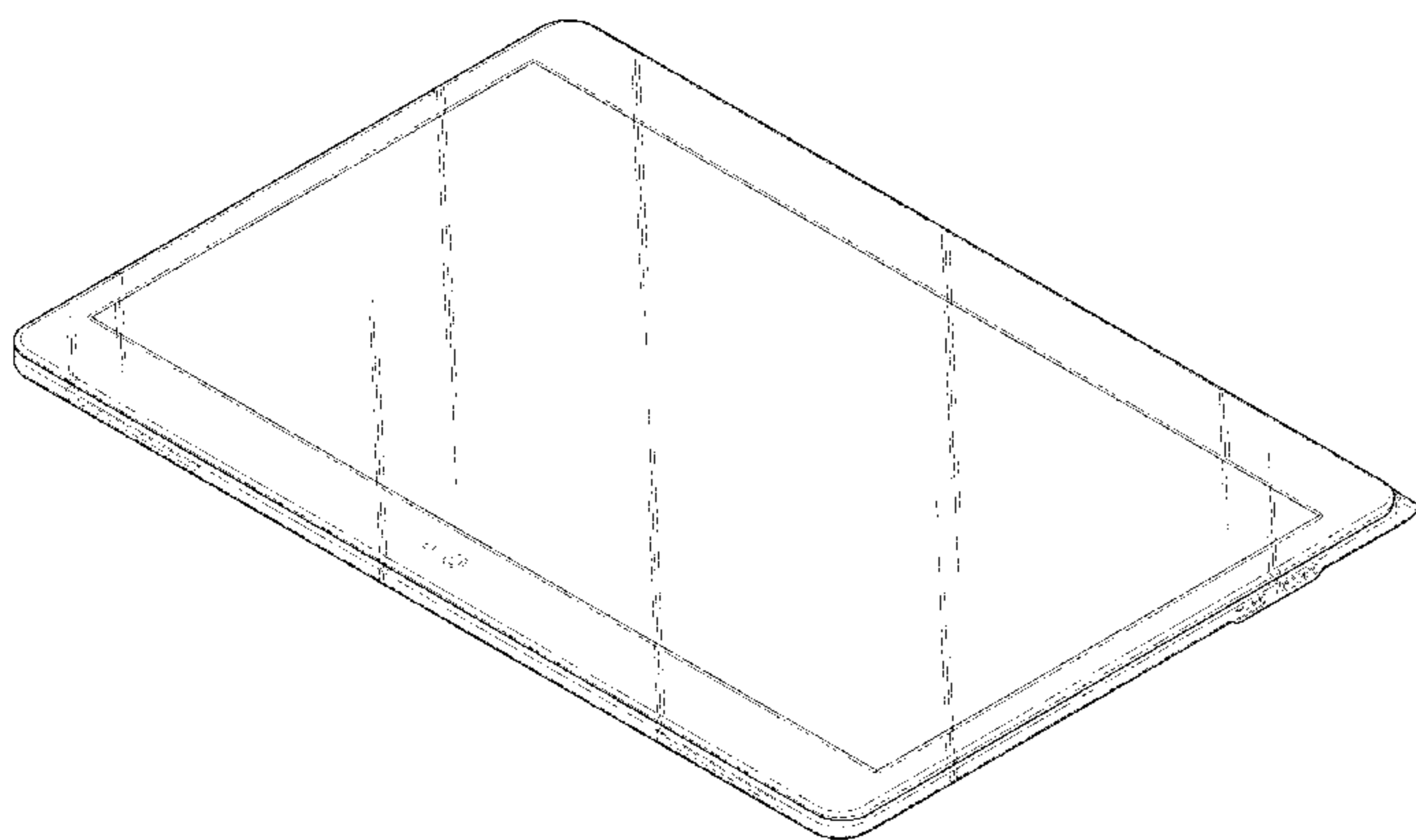


FIG. 1

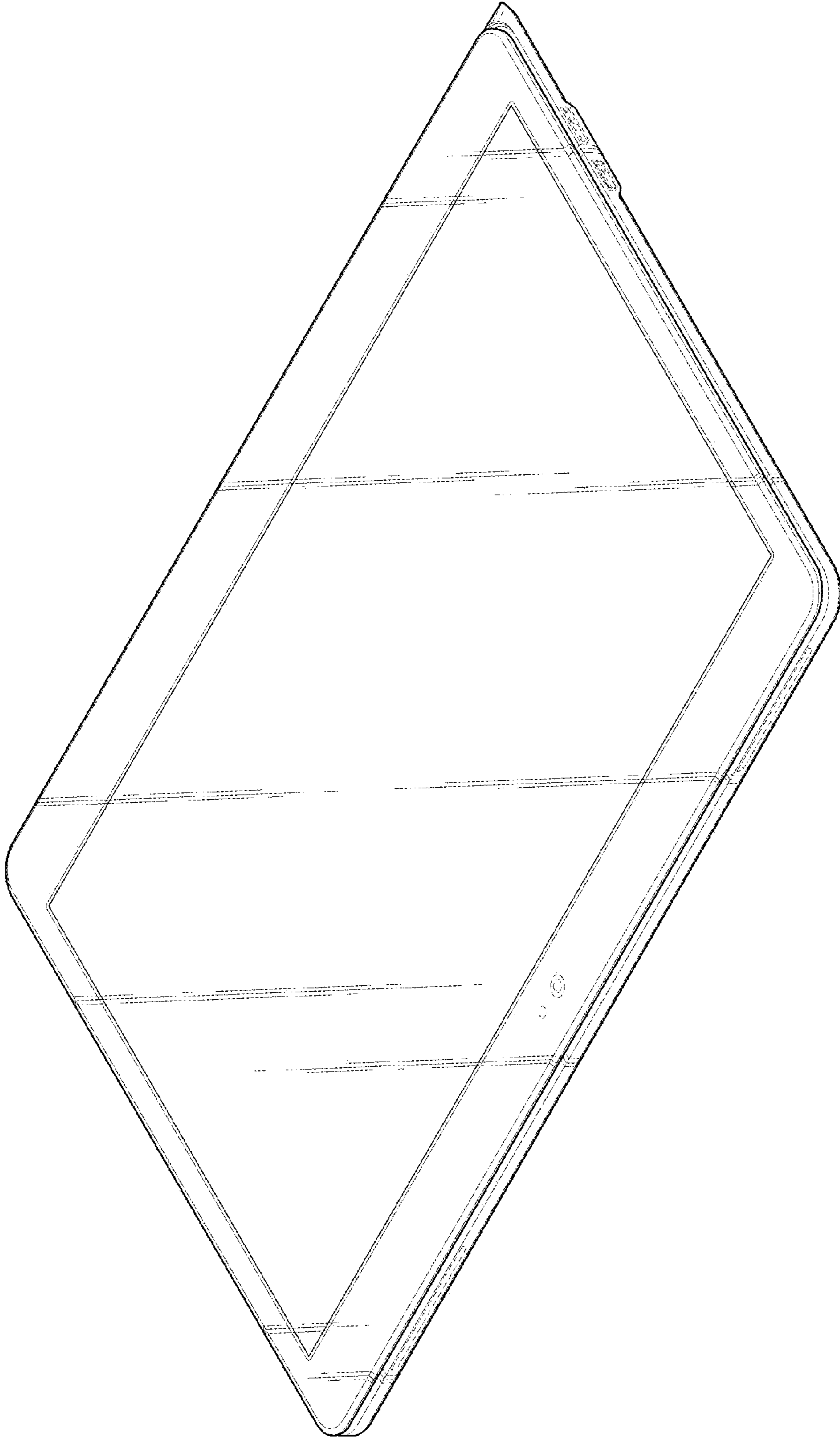


FIG. 2

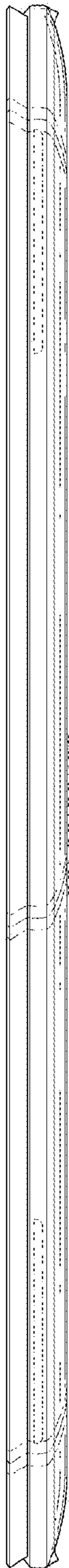


FIG. 3

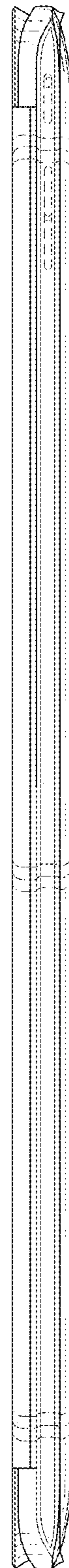


FIG. 4

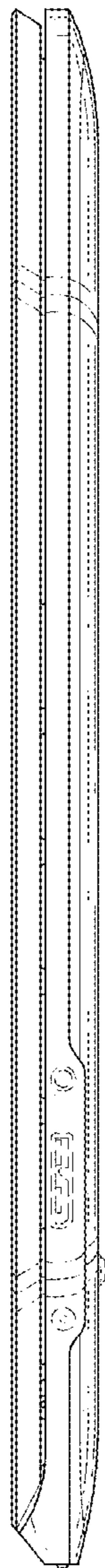


FIG. 5

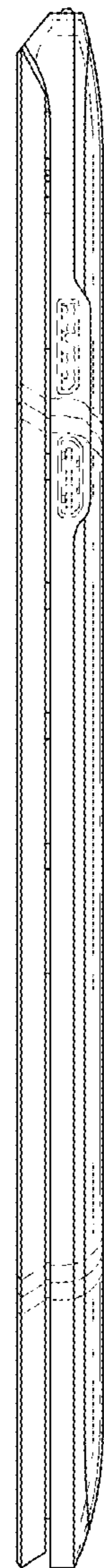


FIG. 6

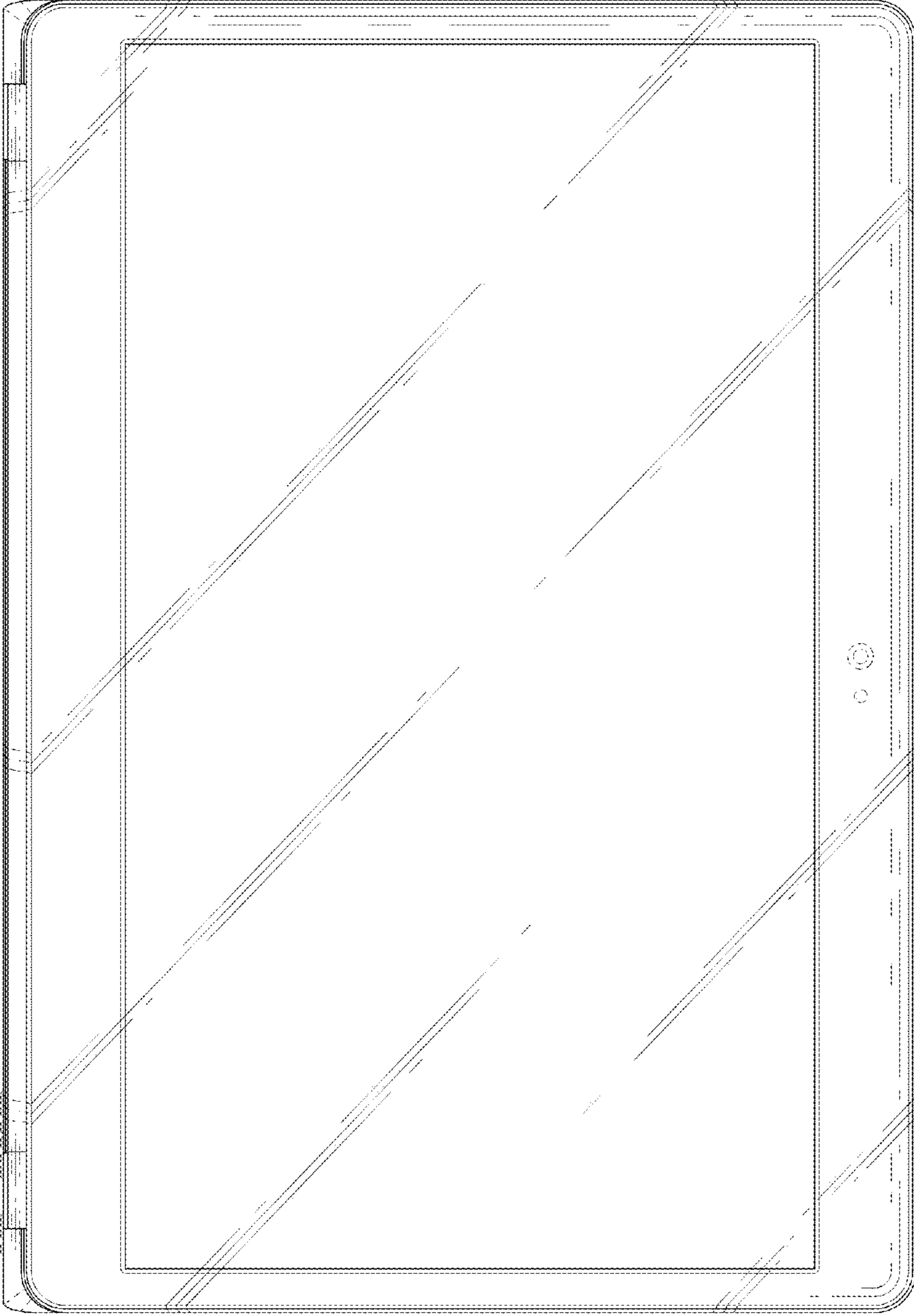


FIG. 7

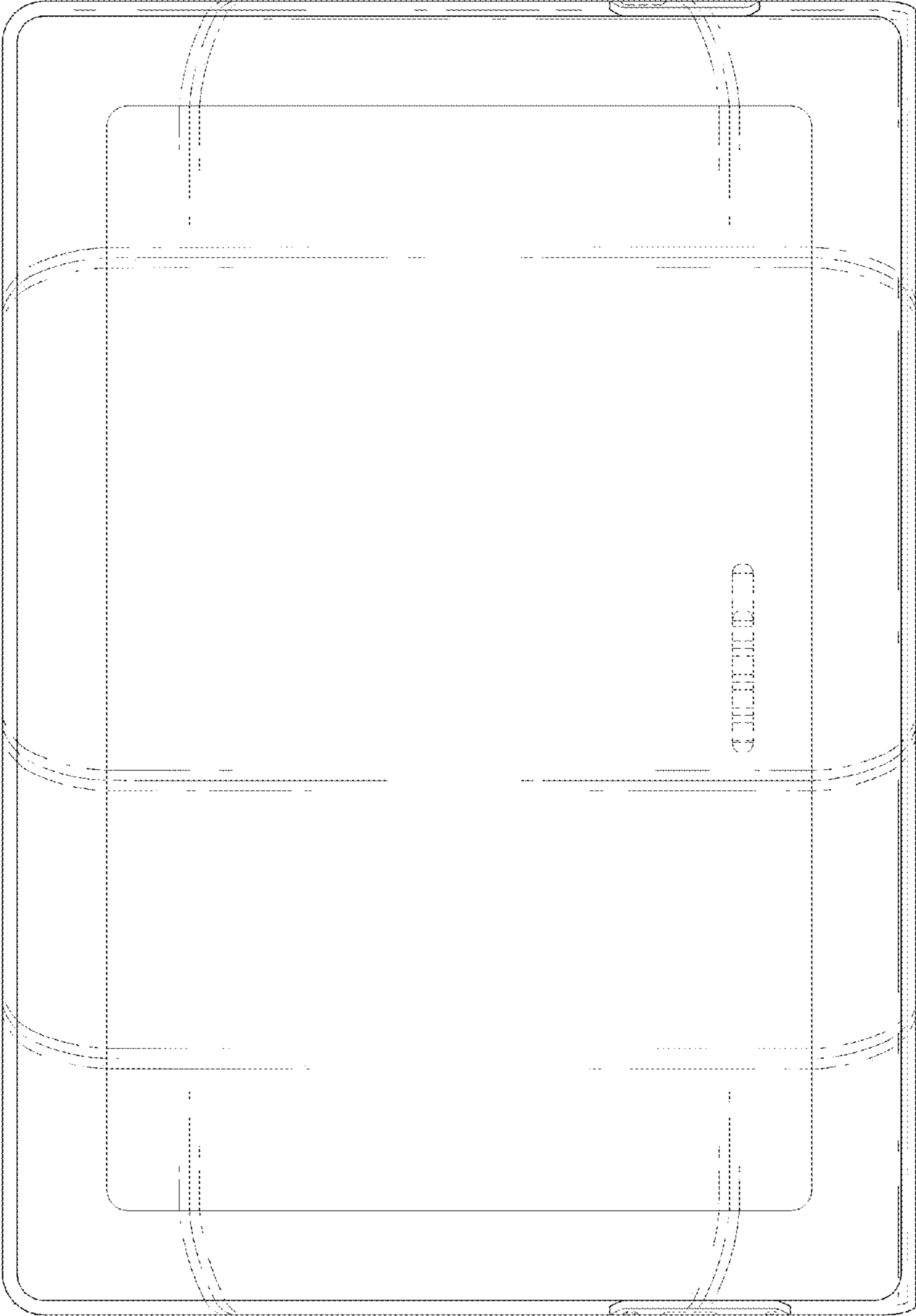


FIG. 8

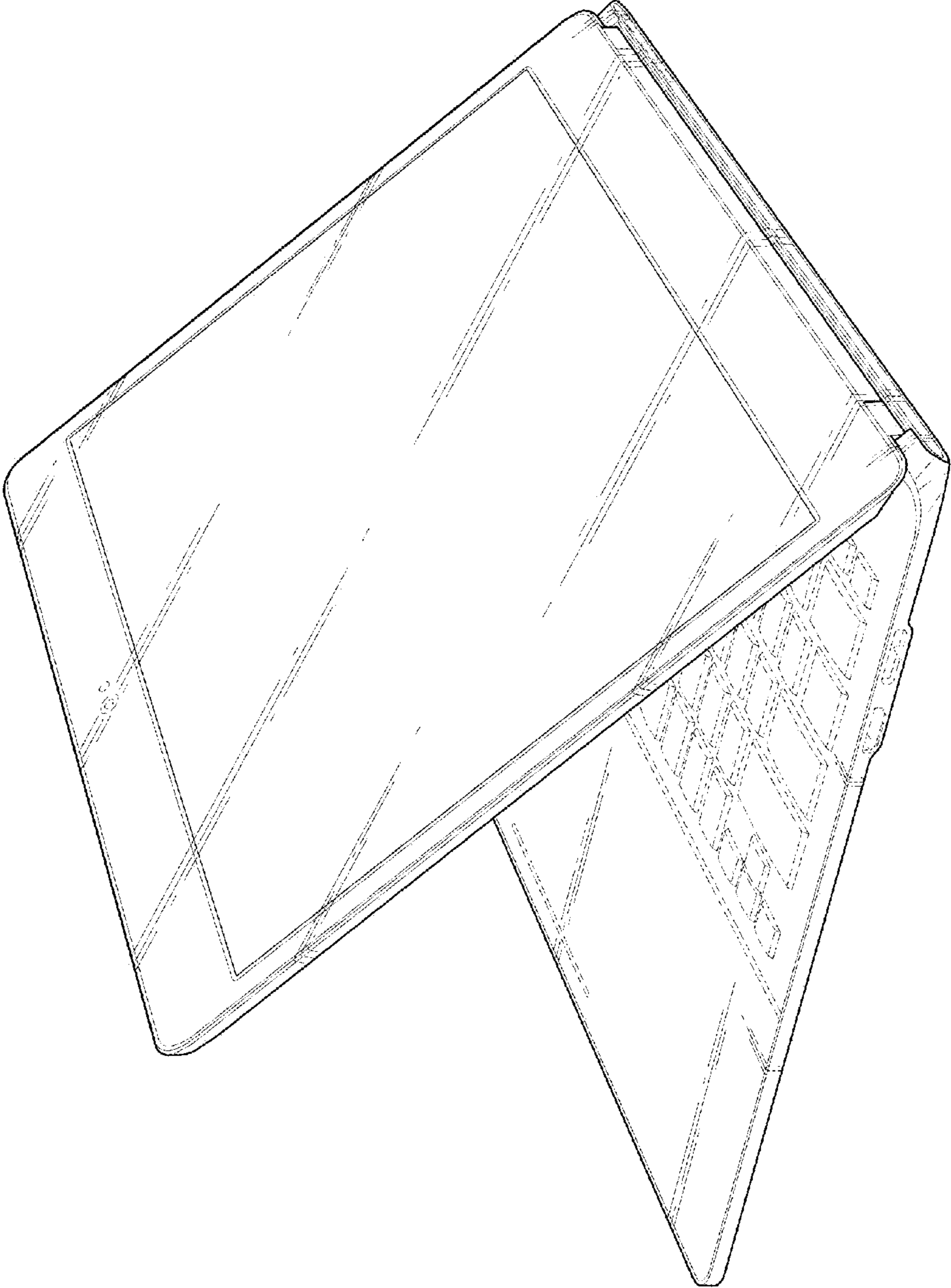


FIG. 9

